



US00D833441S

(12) **United States Design Patent** (10) **Patent No.:** **US D833,441 S**
Beaupre et al. (45) **Date of Patent:** **** Nov. 13, 2018**

- (54) **OVERLAY**
- (71) Applicant: **Belkin International, Inc.**, Playa Vista, CA (US)
- (72) Inventors: **Eric Beaupre**, Los Angeles, CA (US); **John F. Wadsworth**, Burbank, CA (US); **David A. Kleeman**, Marina del Rey, CA (US); **Yuhua Lin**, Changzhou (CN)
- (73) Assignee: **BELKIN INTERNATIONAL, INC.**, Playa Vista, CA (US)
- (**) Term: **15 Years**
- (21) Appl. No.: **29/616,503**
- (22) Filed: **Sep. 6, 2017**

- 6,406,758 B1 6/2002 Bottari et al.
- 7,084,859 B1 8/2006 Pryor
- D578,164 S 10/2008 Ingle
- D598,024 S 8/2009 Scott et al.
- D601,959 S 10/2009 Lee
- D601,960 S 10/2009 Dai
- 7,697,827 B2 4/2010 Konicek
- D627,826 S 11/2010 Halimi
- 7,957,524 B2 6/2011 Chipping
- 7,966,861 B2 6/2011 Yee et al.
- D641,210 S 7/2011 Hamilton
- 8,044,942 B1 10/2011 Leonhard et al.
- 8,047,365 B1 11/2011 Lin
- D651,214 S 12/2011 Yoo et al.
- D651,791 S 1/2012 Cataldo et al.
- D658,164 S 4/2012 Chan
- D665,809 S 8/2012 Wang et al.
- 8,369,072 B1 2/2013 Alonzo et al.
- 8,393,377 B2 3/2013 Patel et al.
- D679,753 S 4/2013 Sato et al.
- D680,166 S 4/2013 Sato et al.
- 8,517,367 B1 8/2013 Napier
- D690,704 S 10/2013 Padilla et al.
- 8,564,538 B2 10/2013 Wadsworth
- D694,240 S 11/2013 Cho
- 8,640,759 B2 2/2014 Chen
- 8,675,353 B1 3/2014 Alonzo et al.
- D707,217 S 6/2014 Toulotte
- D710,843 S 8/2014 Akana
- D713,397 S 9/2014 Du et al.
- D714,053 S 9/2014 Yoo
- 8,821,659 B2 9/2014 Ng et al.
- D715,301 S 10/2014 Ashcraft et al.
- D715,784 S 10/2014 Lin et al.
- D720,353 S 12/2014 Nakamura
- D721,359 S 1/2015 Kim
- 8,931,770 B1 1/2015 Kaminski
- 9,001,502 B1 4/2015 Cowan
- 9,010,396 B2 4/2015 Patel et al.
- D729,235 S 5/2015 Nagao et al.
- D734,311 S 7/2015 Takamoto et al.
- 9,089,085 B2 7/2015 Patel
- 9,159,260 B2 10/2015 Oh
- D743,402 S 11/2015 Ehara et al.
- D746,265 S 12/2015 Colby et al.
- D747,320 S 1/2016 Snyder et al.
- D751,556 S 3/2016 Conley et al.
- D751,557 S 3/2016 Lane
- D759,640 S 6/2016 Wadsworth
- D767,550 S 9/2016 Beaupre et al.
- D769,857 S 10/2016 Shin et al.
- D772,199 S 11/2016 Igarashi
- D773,927 S 12/2016 Cernokus et al.

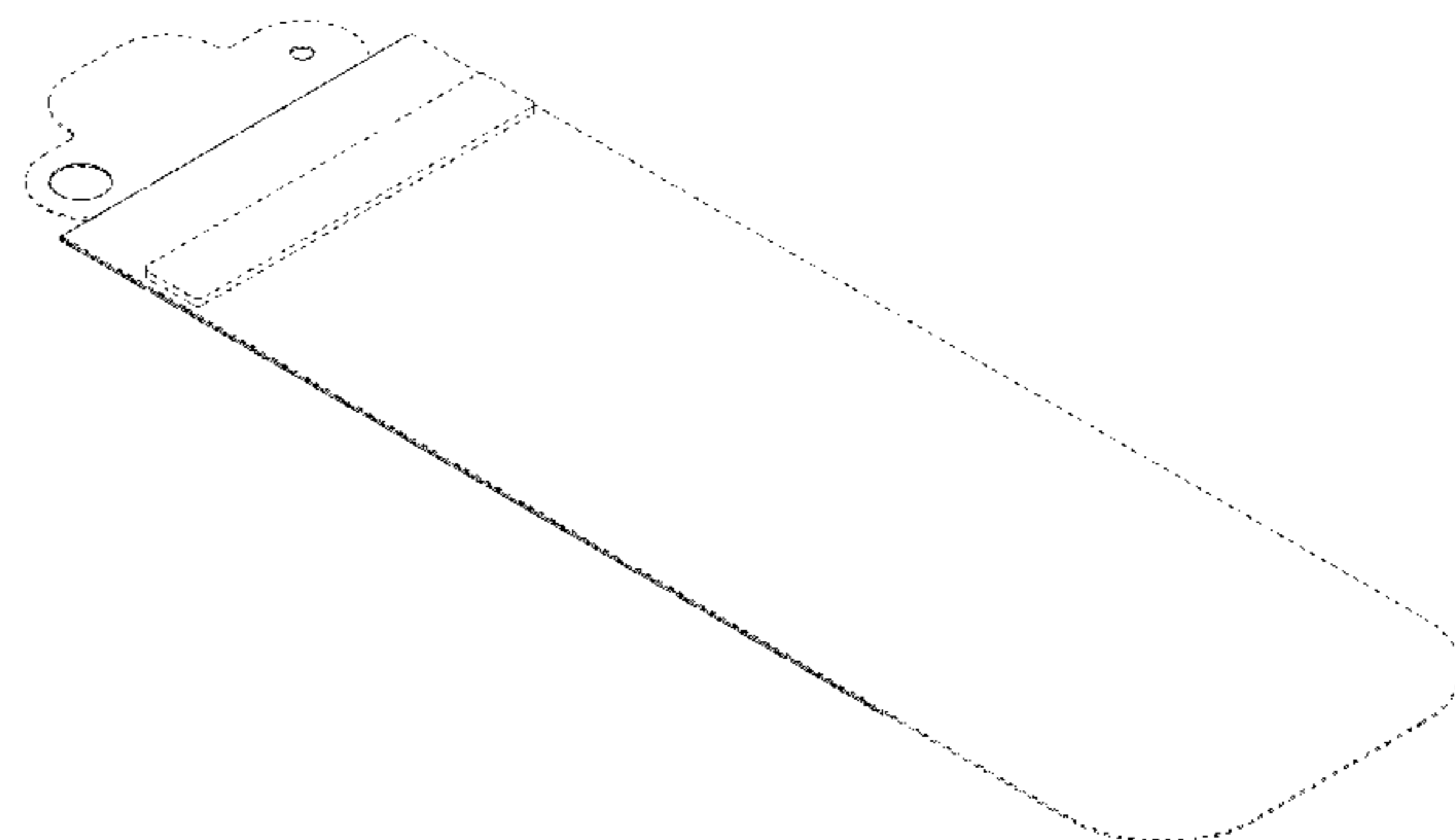
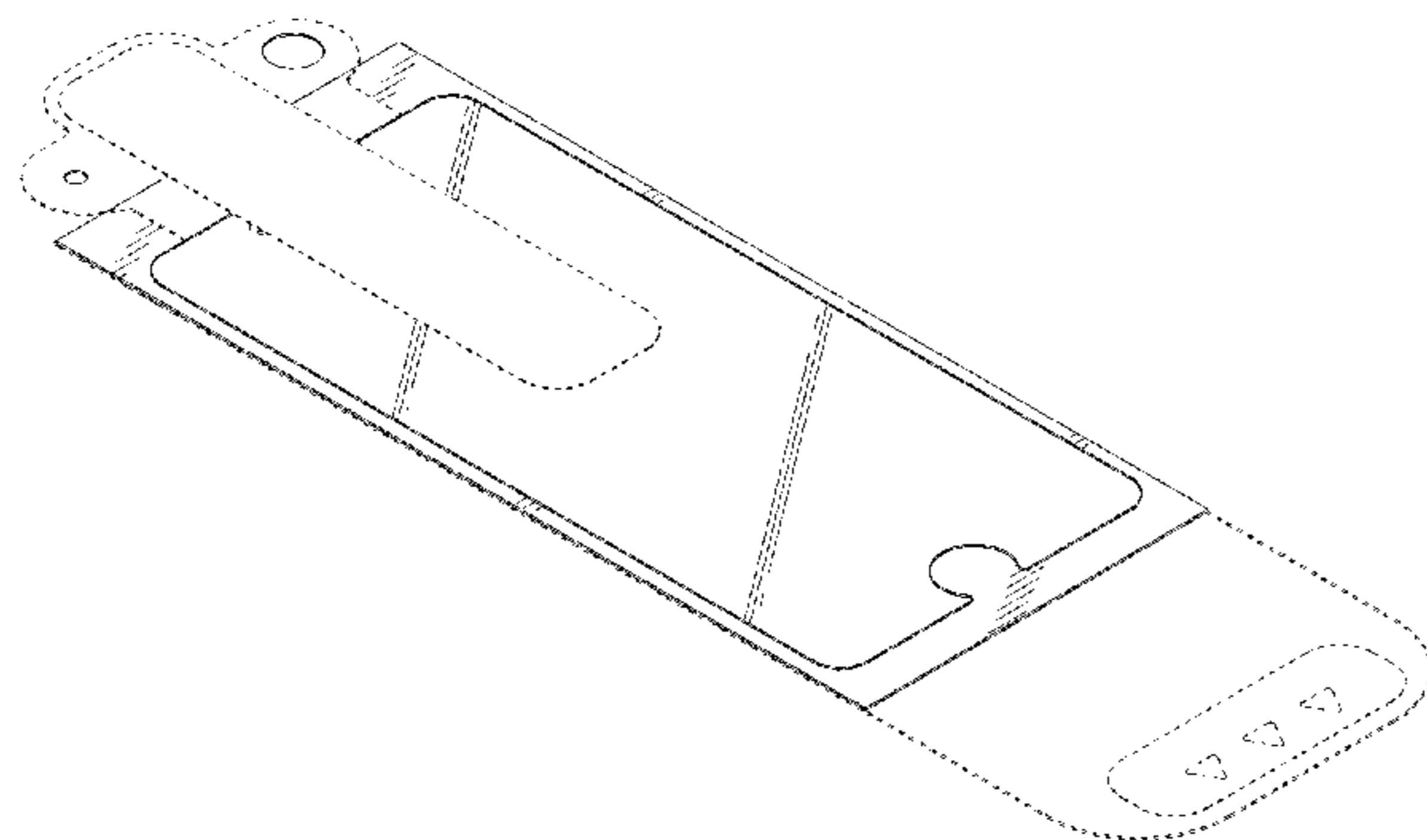
Related U.S. Application Data

- (63) Continuation of application No. 29/566,351, filed on May 27, 2016, now Pat. No. Des. 800,128.
- (51) **LOC (11) Cl.** **14-02**
- (52) **U.S. Cl.**
USPC **D14/432**
- (58) **Field of Classification Search**
USPC D14/316-319, 432-439, 442, 451-454, D14/496, 495, 391, 385, 367, 356; D8/331, 330; D18/50, 4.6, 4.5; 439/630, 439/635, 639, 160; 360/2; 235/492, 486, 235/479, 380
CPC G06F 1/1643; G06F 1/169; H04B 1/3888
See application file for complete search history.

References Cited

U.S. PATENT DOCUMENTS

- 4,285,559 A 8/1981 Koch
- D305,648 S 1/1990 Edington
- 4,895,231 A 1/1990 Yamaguchi et al.
- 5,069,732 A 12/1991 Levine
- 5,680,709 A 10/1997 Stone
- 5,805,251 A 9/1998 Ozawa



US D833,441 S

D776,123 S	1/2017	Akana et al.	2015/0041069 A1*	2/2015	Wadsworth B29C 63/024
D777,714 S	1/2017	Akana et al.			156/535
D778,869 S	2/2017	Kim et al.	2015/0047773 A1*	2/2015	Wadsworth B29C 63/0047
D781,861 S	3/2017	Lane et al.			156/182
D783,024 S	4/2017	Conley et al.	2015/0107767 A1*	4/2015	Wadsworth B29C 63/0004
9,662,860 B2	5/2017	Wadsworth			156/324
9,688,016 B2	6/2017	Rostami	2015/0121691 A1	5/2015	Wang
9,701,062 B2	7/2017	Wadsworth et al.	2015/0136314 A1	5/2015	Napier
9,701,096 B2	7/2017	Beaupre	2015/0227226 A1	8/2015	Wierenga et al.
D800,126 S *	10/2017	Wadsworth D14/432	2015/0362736 A1	12/2015	Kowasie
D800,127 S *	10/2017	Beaupre D14/432	2016/0009024 A1	1/2016	Mason
D800,128 S *	10/2017	Beaupre D14/432	2016/0253039 A1*	9/2016	Heo G06F 3/0412
D800,129 S *	10/2017	Wadsworth D14/432			345/173
D800,130 S *	10/2017	Beaupre D14/432			
D800,131 S *	10/2017	Wadsworth D14/432	2017/0001364 A1	1/2017	MacDonald et al.
D800,714 S *	10/2017	Lee D14/250			
D802,594 S *	11/2017	Beaupre D14/432			
2002/0054030 A1	5/2002	Murphy			
2004/0109096 A1	6/2004	Anderson et al.			
2004/0246386 A1	12/2004	Thomas et al.	CN	201456516	5/2010
2005/0030296 A1	2/2005	Stohrer et al.	CN	201538078	8/2010
2005/0164148 A1	7/2005	Sinclair	CN	102632674	8/2012
2007/0013662 A1	1/2007	Fauth	CN	202623469	12/2012
2007/0021068 A1	1/2007	Dewhurst	CN	202896928	4/2013
2007/0058990 A1	3/2007	Weaver et al.	CN	202923909	5/2013
2007/0115621 A1	5/2007	Guillen	CN	202967060	6/2013
2007/0229962 A1	10/2007	Mason, Jr.	CN	203077741	7/2013
2007/0247793 A1	10/2007	Carnevali	EM	0024866540001	6/2004
2007/0293282 A1	12/2007	Lewis et al.	EM	0024866540002	6/2004
2009/0015509 A1	1/2009	Gottwald et al.	EM	0024866540003	6/2004
2009/0133219 A1	5/2009	Lowry et al.	EM	0024866540004	6/2004
2009/0186181 A1	7/2009	Mase	EM	0024866540005	6/2004
2009/0245565 A1*	10/2009	Mittleman H04M 1/035	EM	0024866540006	6/2004
		381/365	EM	0024866540007	6/2004
2009/0314400 A1*	12/2009	Liu A45C 11/00	EM	0024866540008	6/2004
		150/165	EM	0024866960001	6/2004
2010/0053926 A1	3/2010	Shi et al.	EM	0024866960002	6/2004
2010/0079972 A1	4/2010	Chen et al.	EM	0024866960003	6/2004
2010/0097757 A1	4/2010	Wang	EM	0024866960004	6/2004
2010/0309152 A1	12/2010	Kusuda et al.	EM	0024866960005	6/2004
2011/0188179 A1*	8/2011	Myers G06F 1/1626	EM	0024866960006	6/2004
		361/679.01	EM	0024866960007	6/2004
2011/0206887 A1	8/2011	Kim	EM	0024866960008	6/2004
2011/0267793 A1	11/2011	Cohen	EM	0024866960009	6/2004
2011/0279383 A1	11/2011	Wilson et al.	EM	0024866960010	6/2004
2011/0309608 A1	12/2011	Flynn et al.	EM	0024866960011	6/2004
2012/0043015 A1	2/2012	Feller	EM	0024866960012	6/2004
2012/0063077 A1	3/2012	Tomobe et al.	EM	0024866960013	6/2004
2012/0076967 A1	3/2012	Muramatsu	EM	0024866960014	6/2004
2012/0087072 A1	4/2012	McGuire et al.	EM	0024866960015	6/2004
2012/0110868 A1	5/2012	Abbondanzio	EM	0024866960016	6/2004
2012/0183712 A1	7/2012	Leonhard et al.	EM	0024867120001	6/2004
2012/0211168 A1	8/2012	Patel et al.	EM	0024867120002	6/2004
2012/0211170 A1	8/2012	Patel et al.	EM	0024867120003	6/2004
2012/0261930 A1	10/2012	Bethea	EM	0024867120004	6/2004
2012/0268394 A1	10/2012	Hsu et al.	EM	0024867120005	6/2004
2012/0276318 A1	11/2012	Franke	EM	0024867120006	6/2004
2013/0020005 A1	1/2013	Koblick et al.	EM	0024867120007	6/2004
2013/0020020 A1	1/2013	Liu	EM	0024867120008	6/2004
2013/0040088 A1	2/2013	Hirayama et al.	EM	0024867120009	6/2004
2013/0048203 A1*	2/2013	Yau B32B 7/06	EM	0024867120010	6/2004
		156/230	EM	0024867120011	6/2004
2013/0113348 A1*	5/2013	Holben H05K 5/03	EM	0024867120012	6/2004
		312/223.1	EM	0024867120013	6/2004
2013/0156999 A1	6/2013	Braesch et al.	EM	0024867120014	6/2004
2013/0184845 A1	7/2013	Hales	EM	0024867120015	6/2004
2013/0237296 A1*	9/2013	Chen B29C 63/0004	JP	10199422	7/1998
		455/575.8	JP	2002049327	2/2002
2013/0264235 A1	10/2013	Lin	JP	2002057764	2/2002
2014/0047708 A1	2/2014	Chae	JP	2003066419	3/2003
2014/0055927 A1	2/2014	Wang	JP	2006145918	6/2006
2014/0124146 A1	5/2014	Patel et al.	JP	2006155452	6/2006
2014/0130971 A1*	5/2014	Wu H05K 13/00	JP	3124275	8/2006
		156/249	JP	3180690	12/2012
2014/0250964 A1	9/2014	Dai et al.	KR	200454225	6/2011
2014/0332417 A1	11/2014	Wicks et al.	KR	101080018	11/2011
2014/0338829 A1	11/2014	Peng et al.	KR	101135144	4/2012
2015/0000831 A1	1/2015	Wang	KR	101176316	8/2012
			KR	1020130043720	5/2013

FOREIGN PATENT DOCUMENTS

KR	300704457	8/2013
KR	300704458	8/2013
KR	300704459	8/2013
KR	300704460	8/2013
KR	1020130092713	8/2013
KR	1020130092804	8/2013
KR	300720375	12/2013
KR	300720376	12/2013
KR	101408663	6/2014
KR	1020140070046	6/2014
KR	1020140076245	6/2014
KR	101468710	12/2014
KR	200475419	12/2014
KR	200475420	12/2014
KR	1020140136596	12/2014
KR	1020140142904	12/2014
KR	1020140143262	12/2014
KR	1020150006910	1/2015
KR	200476916	4/2015
KR	1020150039292	4/2015
KR	2020150001663	5/2015
KR	300804459	7/2015
KR	1020160022665	3/2016
KR	1020160022755	3/2016
KR	1020160061078	5/2016
KR	1020160088067	7/2016
KR	1020160091491	8/2016
KR	2020170000128	1/2017
TW	1401223	7/2013
WO	2003093879	11/2003
WO	2004005141	1/2004
WO	2005058705	6/2005
WO	WO2011065796	6/2011
WO	2011163151	12/2011
WO	2012074802	6/2012
WO	2012141505	10/2012

OTHER PUBLICATIONS

Translation of KR-10-1135144, retrieved from the Internet on Jun. 9, 2017.

International Search Report and Written Opinion for PCT/US2014/050420 dated Nov. 19, 2014.

International Search Report and Written Opinion for PCT/US2014/060300 dated Jan. 27, 2015.

International Search Report and Written Opinion for PCT/US2014/071767 dated Apr. 24, 2015.

Amzer—Kristal Screen Protectors <http://www.amzer.com/kristal/>, Mar. 21, 2014.

MyScreenPROTECTOR—<https://www.myscreenprotector.com/?Ing=3&view=cms&txt=about-my-screen-protector>, Mar. 21, 2014.

PureGear—PureTek Roll-On Kit—<http://www.pure-gear.com/shop-by-category/screen/puretek-roll-on-kit-antibacterial-antiglare-anti-fingerprint.html>, Mar. 21, 2014.

Tylt Alin Perfect Alignment Screen Protection—<http://www.tylt.com/alin/>, Mar. 21, 2014.

Zagg Introduces invisibleSHIELD on Demand and invisible Shield Glass at CES 2 <http://investors.zagg.com/releasedetail.cfm?ReleaseID=817526>, Mar. 21, 2014.

International Search Report for Application No. PCT/US 09/61553, dated Dec. 17, 2009.

Protrusion on “F” key of computer keyboard; 1 page; picture taken Oct. 20, 2008.

Protrusion on “5” key of telephone; 1 page; picture taken Oct. 20, 2008.

Systech Displays, Inc.; Home page; <http://www.systechdisplays.com/>; Oct. 21, 2008; 2 pages.

Belkin Ez Frame Iris Anti-glare Film, posted at ebay.com, posting date Jul. 26, 2017, Copyright (C) 1995-2017 eBay Inc., [online],

[site visited Mar. 20, 2017]. Available from Internet, <URL: <http://www.ebay.com/itm/BelkinEzFrameIrisAntiglareFilmwithEasyInstallFrameforIphone5S/171728155795>>.

Belkin InvisiGlass Ultra Screen Protection for iPhone 7, posted at apple.com, posting date not given, Copyright (C) 2017 Apple Inc., [online], [site visited Mar. 20, 2017]. Available from Internet, <URL: <http://www.apple.com/shop/product/HKF2ZM/B/belkininvisiGlassultrascreenprotectionforiphone7>>.

Belkin ScreenForce Transparent Screen Protector, posted at belkin.com, (C) 2017 Belkin International, Inc., [online], [site visited Mar. 20, 2017]. Available from Internet, <URL: <http://www.belkin.com/us/F8W526-3/p/P-F8W526-3/>>.

International Search Report and Written Opinion for PCT/US2017/051882, dated Nov. 29, 2017.

* cited by examiner

Primary Examiner — Austin Murphy
(74) Attorney, Agent, or Firm — Bryan Cave Leighton Paisner LLP

(57) CLAIM

We claim the ornamental design for the overlay, substantially as shown and described.

DESCRIPTION

FIG. 1 is a top perspective view of an overlay, according to a first embodiment;

FIG. 2 is a bottom perspective view of the overlay, according to the first embodiment;

FIG. 3 is a top plan view of the overlay, according to the first embodiment;

FIG. 4 is a bottom plan view of the overlay, according to the first embodiment;

FIG. 5 is a side elevational view of the overlay, according to the first embodiment, where the opposite side elevational view is a mirror image thereof;

FIG. 6 is an enlarged side elevational view of a portion of the overlay, as identified in FIG. 5, according to the first embodiment;

FIG. 7 is a top perspective view of an overlay, according to a second embodiment;

FIG. 8 is a bottom perspective view of the overlay, according to the second embodiment;

FIG. 9 is a top plan view of the overlay, according to the second embodiment;

FIG. 10 is a bottom plan view of the overlay, according to the second embodiment;

FIG. 11 is a side elevational view of the overlay, according to the second embodiment, where the opposite side elevational view is a mirror image thereof; and,

FIG. 12 is an enlarged side elevational view of a portion of the overlay, as identified in FIG. 11, according to the second embodiment.

The evenly dashed broken lines of the various embodiments of the overlay are directed to environment and are for illustrative purposes only; the evenly dashed broken lines form no part of the claimed design.

FIG. 1

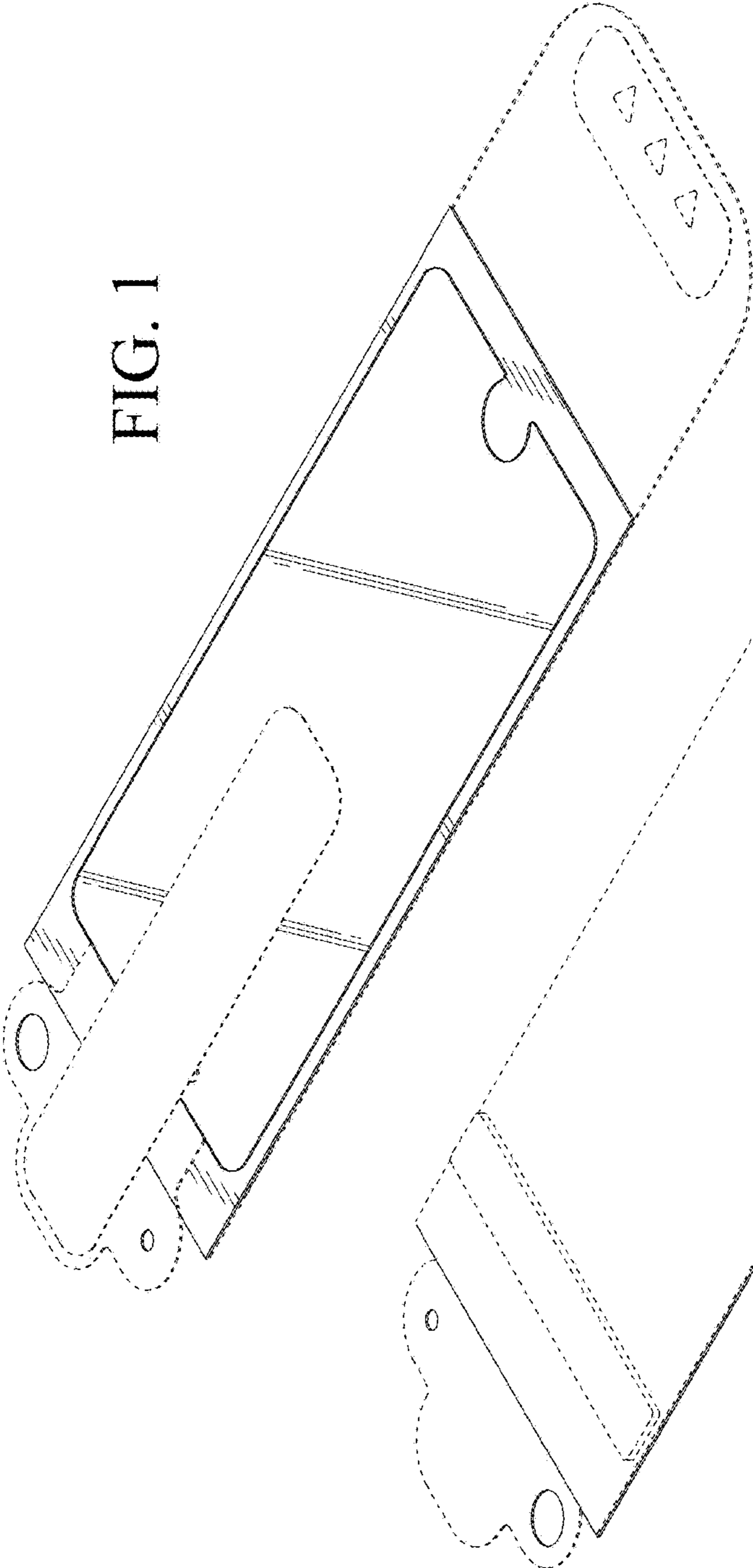
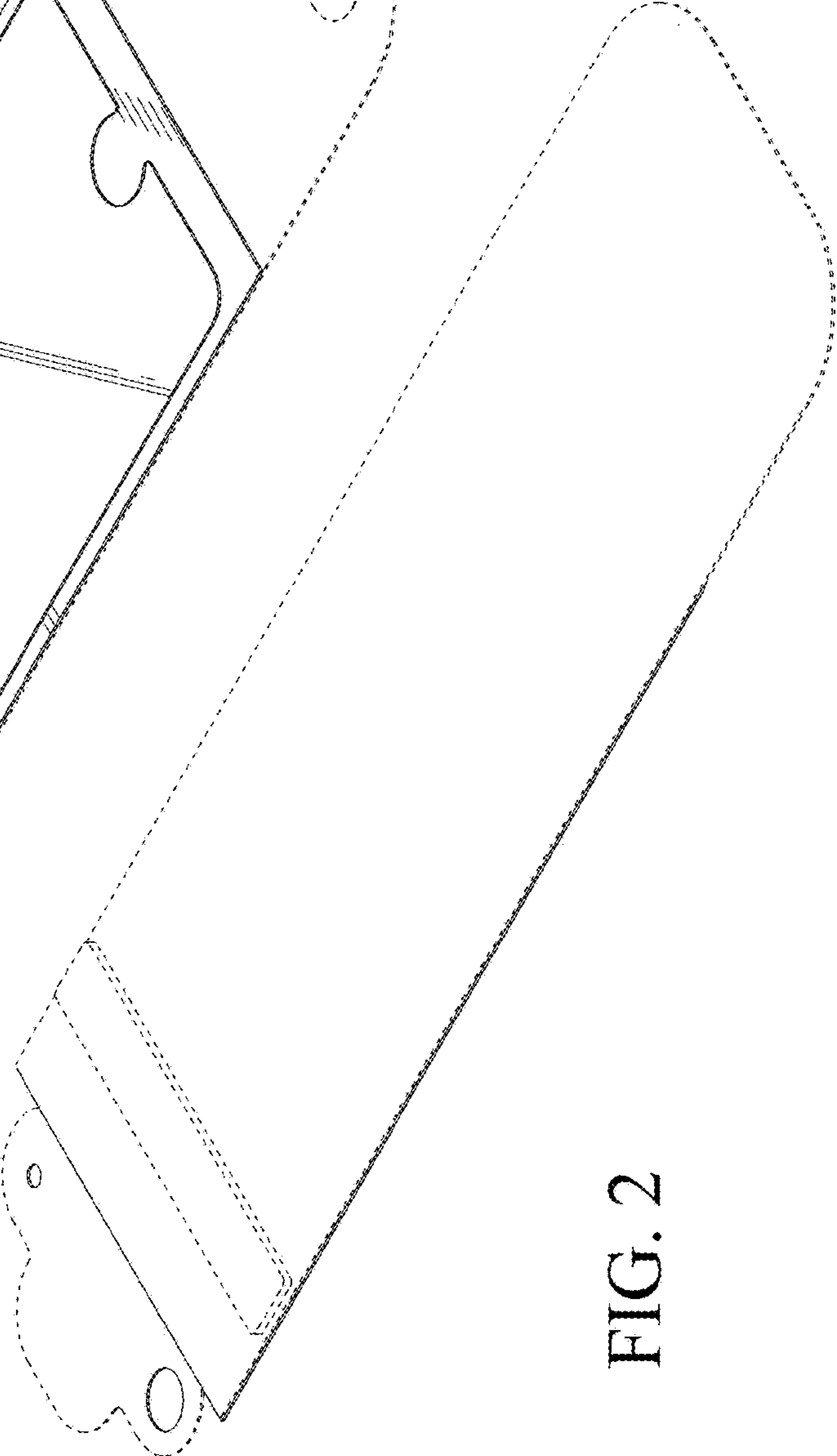


FIG. 2



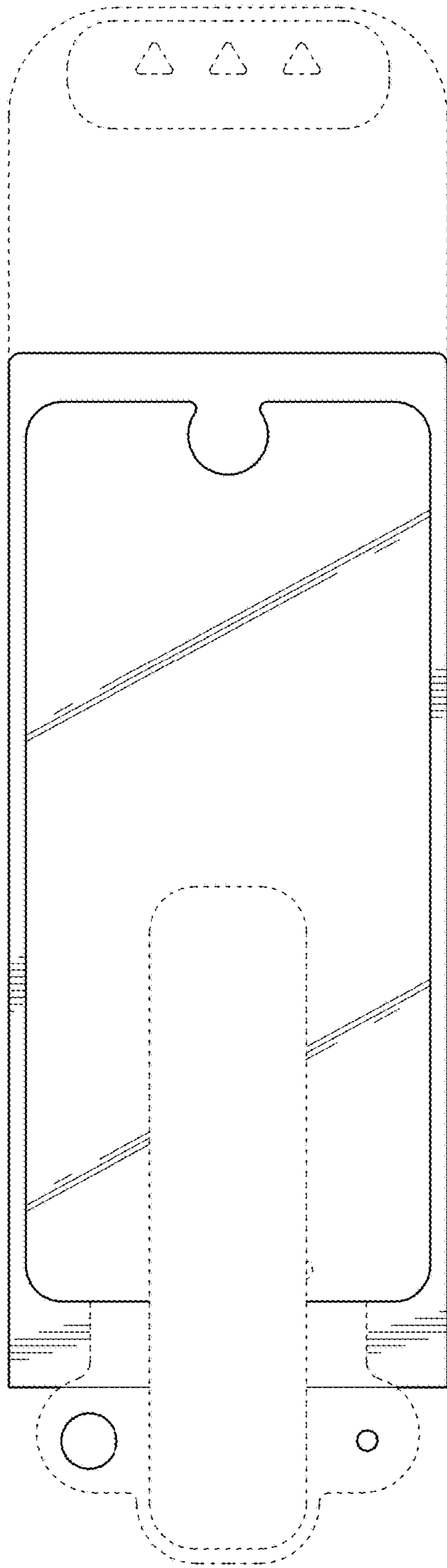


FIG. 3



FIG. 4

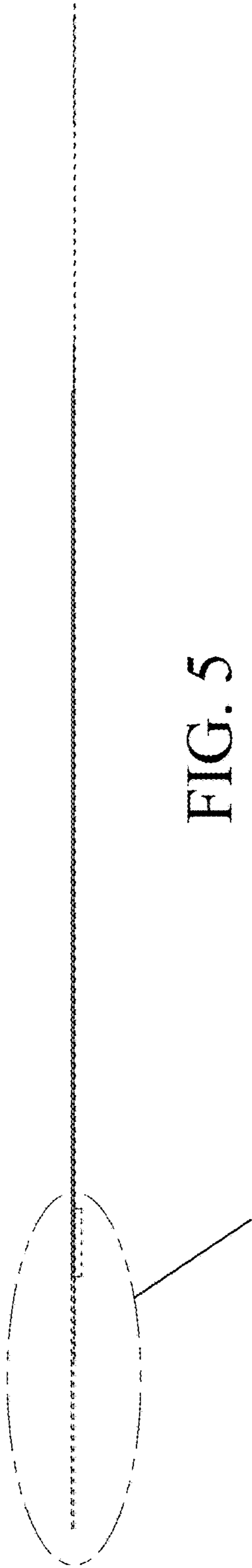


FIG. 5

FIG. 6

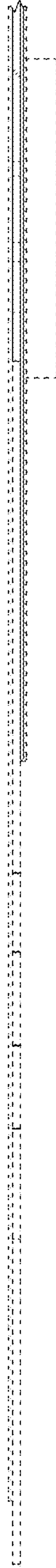


FIG. 6

FIG. 7

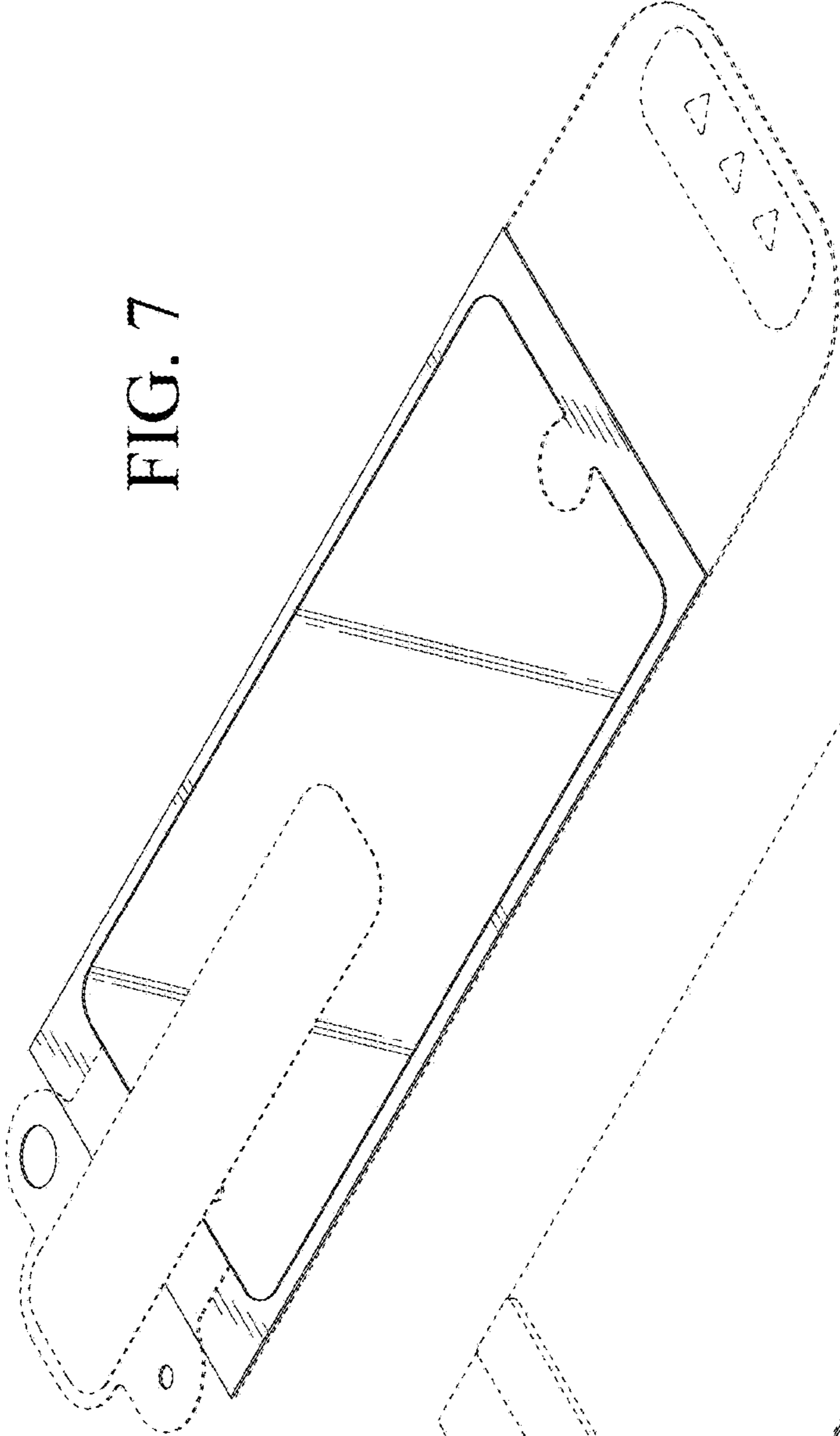
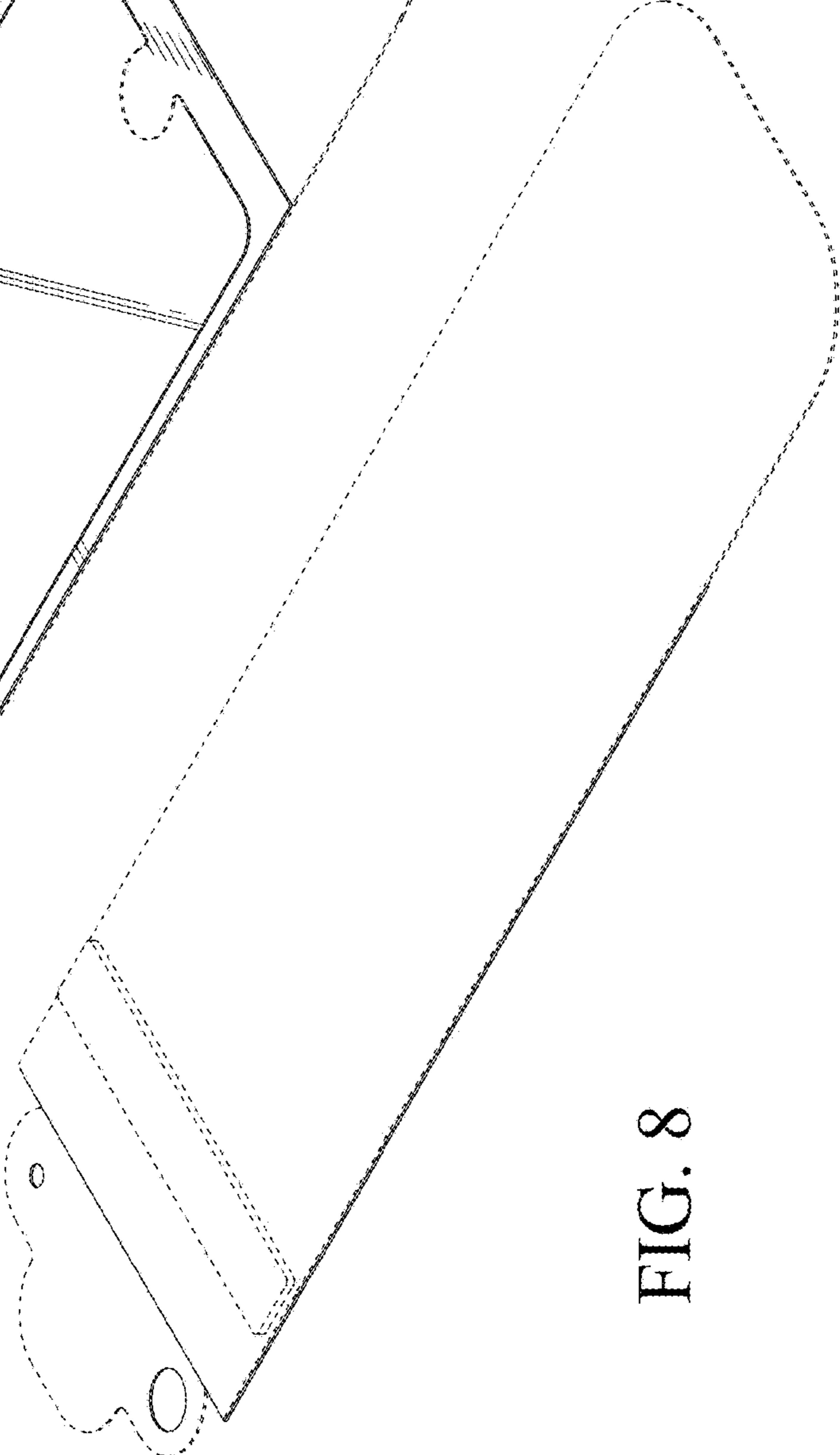


FIG. 8



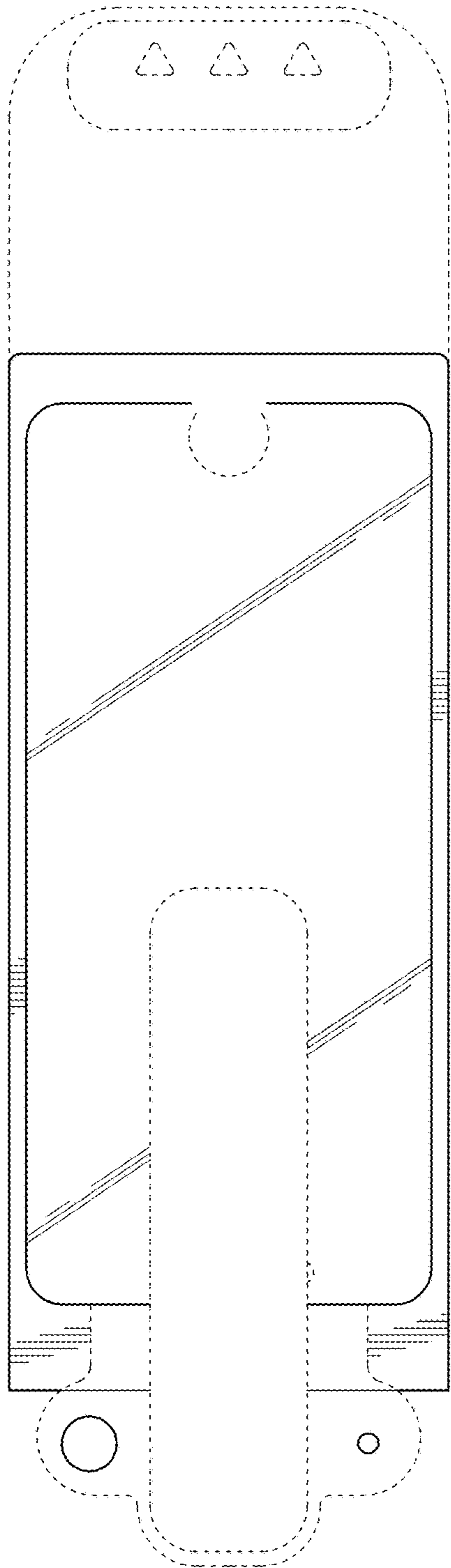


FIG. 9



FIG. 10

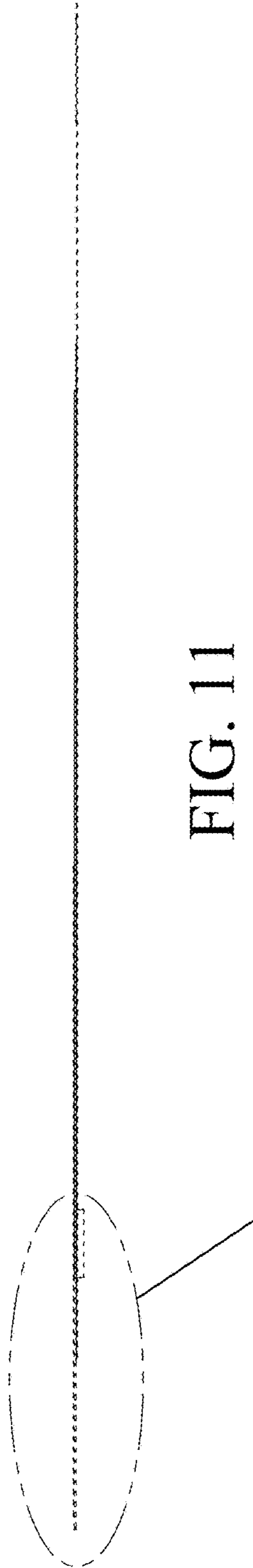


FIG. 11

FIG. 12

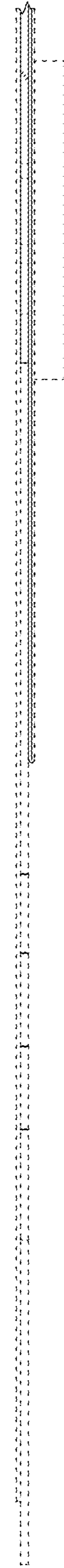


FIG. 12