



US00D833439S

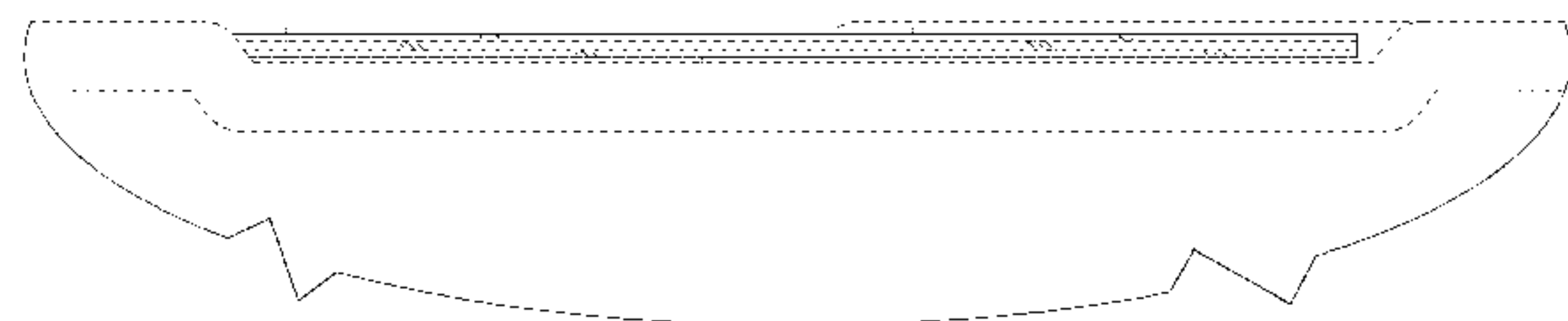
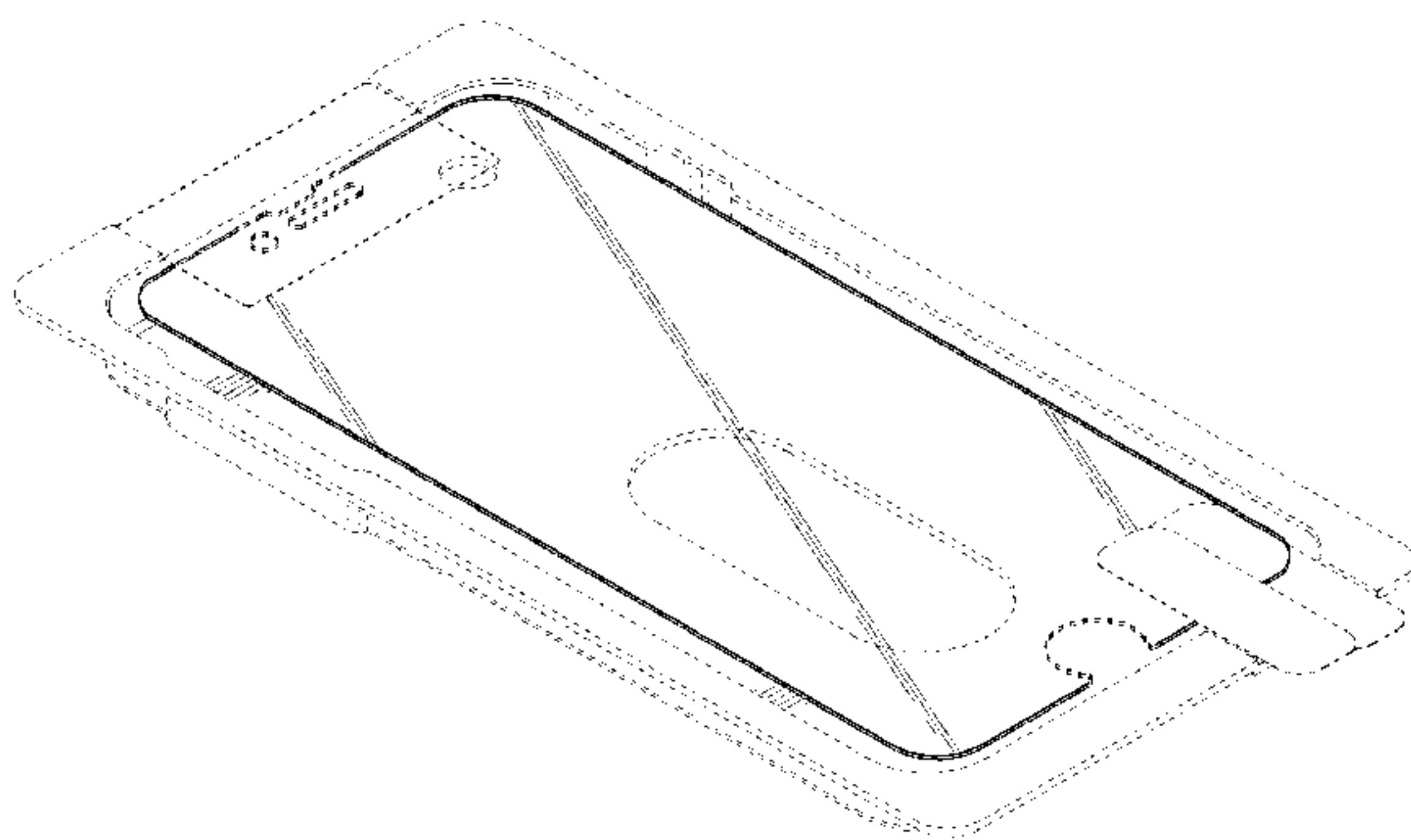
(12) **United States Design Patent** (10) **Patent No.:** **US D833,439 S**  
**MacDonald et al.** (45) **Date of Patent:** **\*\* Nov. 13, 2018**

- (54) **OVERLAY TRAY**
- (71) Applicant: **Belkin International, Inc.**, Playa Vista, CA (US)
- (72) Inventors: **Eric. A. MacDonald**, Rancho Cucamonga, CA (US); **Mitchell Suckle**, Long Beach, CA (US); **John F. Wadsworth**, Burbank, CA (US)
- (73) Assignee: **BELKIN INTERNATIONAL, INC.**, Playa Vista, CA (US)
- (\*\*) Term: **15 Years**
- (21) Appl. No.: **29/577,830**
- (22) Filed: **Sep. 15, 2016**
- (51) **LOC (11) Cl.** ..... **14-02**
- (52) **U.S. Cl.**  
USPC ..... **D14/432**
- (58) **Field of Classification Search**  
USPC ..... D14/316-319, 432-439, 442, 451-454, D14/496, 495, 391, 385, 367, 356; D8/331, 330; D18/50, 4.6, 4.5; 439/630, 439/635, 639, 160; 360/2; 235/492, 486, 235/479, 380  
CPC ..... G06F 1/1643; G06F 1/169; H04B 1/3888  
See application file for complete search history.

7,957,524 B2	6/2011	Chipping	
7,966,861 B2	6/2011	Yee et al.	
D641,210 S	7/2011	Hamilton	
8,047,365 B1	11/2011	Lin	
D651,214 S	12/2011	Yoo et al.	
D651,791 S	1/2012	Cataldo et al.	
D658,164 S	4/2012	Chan	
D665,809 S	8/2012	Wang et al.	
8,369,072 B1	2/2013	Alonzo et al.	
8,393,377 B2	3/2013	Patel et al.	
D679,753 S	4/2013	Sato et al.	
D680,166 S	4/2013	Sato et al.	
8,517,367 B1	8/2013	Napier	
D690,704 S	10/2013	Padilla et al.	
8,564,538 B2	10/2013	Wadsworth	
D694,240 S	11/2013	Cho	
8,640,759 B2	2/2014	Chen	
D707,217 S	6/2014	Toulotte	
D710,843 S	8/2014	Akana	
D714,053 S	9/2014	Yoo	
8,821,659 B2	9/2014	Ng et al.	
D715,301 S	10/2014	Ashcraft et al.	
D715,784 S	10/2014	Lin et al.	
D720,353 S	12/2014	Nakamura	
D721,359 S	1/2015	Kim	
8,931,770 B1	1/2015	Kaminski	
9,001,502 B1	4/2015	Cowan	
9,010,396 B2	4/2015	Patel et al.	
D729,235 S	5/2015	Nagao et al.	
D734,311 S	7/2015	Takamoto et al.	
9,089,085 B2	7/2015	Patel et al.	
9,159,260 B2	10/2015	Oh	
D743,402 S	11/2015	Ehara et al.	
D746,265 S	12/2015	Colby et al.	
D747,320 S	1/2016	Snyder et al.	
D751,556 S	3/2016	Conley et al.	
D751,557 S	3/2016	Lane	
D759,640 S	6/2016	Wadsworth	
D769,857 S	10/2016	Shin et al.	
D772,199 S	11/2016	Igarashi	
D773,927 S	12/2016	Cernokus et al.	
D776,123 S	1/2017	Akana et al.	
D777,714 S	1/2017	Akana et al.	
D778,869 S	2/2017	Kim et al.	
9,688,016 B2	6/2017	Rostami	
D800,126 S *	10/2017	Wadsworth	D14/432
D800,127 S *	10/2017	Beaupre	D14/432
D800,128 S *	10/2017	Beaupre	D14/432
D800,129 S *	10/2017	Wadsworth	D14/432
D800,130 S *	10/2017	Beaupre	D14/432
D800,131 S *	10/2017	Wadsworth	D14/432
D800,714 S *	10/2017	Lee	D14/250
D802,594 S *	11/2017	Beaupre	D14/432

(56) **References Cited**  
U.S. PATENT DOCUMENTS

4,285,559 A	8/1981	Koch
D305,648 S	1/1990	Edington
4,895,231 A	1/1990	Yamaguchi et al.
5,069,732 A	12/1991	Levine
5,680,709 A	10/1997	Stone
6,406,758 B1	6/2002	Bottari et al.
7,084,859 B1	8/2006	Pryor
D578,164 S	10/2008	Ingle
D598,024 S	8/2009	Scott et al.
D601,959 S	10/2009	Lee
D601,960 S	10/2009	Dai
7,697,827 B2	4/2010	Konicek
D627,826 S	11/2010	Halimi



# US D833,439 S

			FOREIGN PATENT DOCUMENTS		
2002/0054030	A1	5/2002	Murphy		
2004/0109096	A1	6/2004	Anderson et al.		
2004/0246386	A1	12/2004	Thomas et al.	CN	201456516
2005/0030296	A1	2/2005	Stohrer et al.	CN	201538078
2005/0164148	A1	7/2005	Sinclair	CN	102632674
2007/0013662	A1	1/2007	Fauth	CN	202623469
2007/0021068	A1	1/2007	Dewhurst	CN	202896928
2007/0058990	A1	3/2007	Weaver et al.	CN	202967060
2007/0115621	A1	5/2007	Guillen	CN	203077741
2007/0229962	A1	10/2007	Mason, Jr.	EM	002486654-0001
2007/0247793	A1	10/2007	Carnevali	EM	002486654-0002
2007/0293282	A1	12/2007	Lewis et al.	EM	002486654-0003
2009/0015509	A1	1/2009	Gottwald et al.	EM	002486654-0004
2009/0133219	A1	5/2009	Lowry et al.	EM	002486654-0005
2009/0186181	A1	7/2009	Mase	EM	002486654-0006
2009/0245565	A1*	10/2009	Mittleman ..... H04M 1/035 381/365	EM	002486654-0007
				EM	002486654-0008
2009/0314400	A1*	12/2009	Liu ..... A45C 11/00 150/165	EM	002486696-0001
				EM	002486696-0002
				EM	002486696-0003
2010/0053926	A1	3/2010	Shi et al.	EM	002486696-0004
2010/0079972	A1	4/2010	Chen et al.	EM	002486696-0005
2010/0097757	A1	4/2010	Wang	EM	002486696-0006
2010/0309152	A1	12/2010	Kusuda et al.	EM	002486696-0007
2011/0188179	A1*	8/2011	Myers ..... G06F 1/1626 361/679.01	EM	002486696-0008
				EM	002486696-0009
				EM	002486696-0010
2011/0206887	A1	8/2011	Kim	EM	002486696-0011
2011/0267793	A1	11/2011	Cohen	EM	002486696-0012
2011/0279383	A1	11/2011	Wilson et al.	EM	002486696-0013
2011/0309608	A1	12/2011	Flynn et al.	EM	002486696-0014
2012/0043015	A1	2/2012	Feller	EM	002486696-0015
2012/0063077	A1	3/2012	Tomobe et al.	EM	002486696-0016
2012/0076967	A1	3/2012	Muramatsu	EM	002486712-0001
2012/0087072	A1	4/2012	McGuire et al.	EM	002486712-0002
2012/0110868	A1	5/2012	Abbondanzio	EM	002486712-0003
2012/0183712	A1	7/2012	Leonhard et al.	EM	002486712-0004
2012/0211168	A1	8/2012	Patel et al.	EM	002486712-0005
2012/0211170	A1	8/2012	Patel et al.	EM	002486712-0006
2012/0261930	A1	10/2012	Bethea	EM	002486712-0007
2012/0268394	A1	10/2012	Hsu et al.	EM	002486712-0008
2012/0276318	A1	11/2012	Franke	EM	002486712-0010
2013/0020005	A1	1/2013	Koblick et al.	EM	002486712-0011
2013/0020020	A1	1/2013	Liu	EM	002486712-0012
2013/0040088	A1	2/2013	Hirayama et al.	EM	002486712-0013
2013/0048203	A1*	2/2013	Yau ..... B32B 7/06 156/230	EM	002486712-0014
				EM	002486712-0015
2013/0113348	A1*	5/2013	Holben ..... H05K 5/03 312/223.1	EM	002486712-0016
				EM	002846712-0009
				JP	10199422
2013/0156999	A1	6/2013	Braesch et al.	JP	2002049327
2013/0184845	A1	7/2013	Hales	JP	2002057764
2013/0237296	A1*	9/2013	Chen ..... B29C 63/0004 455/575.8	JP	2003066419
				JP	2006145918
2013/0264235	A1	10/2013	Lin	JP	2006155452
2014/0047708	A1	2/2014	Chae	JP	3124275
2014/0055927	A1	2/2014	Wang	JP	03180690
2014/0124146	A1	5/2014	Patel et al.	KR	200454225
2014/0130971	A1*	5/2014	Wu ..... H05K 13/00 156/249	KR	101080018
				KR	101135144
				KR	101176316
2014/0250964	A1	9/2014	Dai et al.	KR	1020130043720
2014/0332417	A1	11/2014	Wicks et al.	KR	300704457
2014/0338829	A1	11/2014	Peng et al.	KR	300704458
2015/0000831	A1	1/2015	Wang	KR	300704459
2015/0041069	A1*	2/2015	Wadsworth ..... B29C 63/024 156/535	KR	300704460
				KR	1020130092713
2015/0047773	A1*	2/2015	Wadsworth ..... B29C 63/0047 156/182	KR	1020130092804
				KR	300720375
2015/0107767	A1*	4/2015	Wadsworth ..... B29C 63/0004 156/324	KR	300720376
				KR	101408663
2015/0121691	A1	5/2015	Wang	KR	1020140070046
2015/0136314	A1	5/2015	Napier	KR	1020140076245
2015/0227226	A1	8/2015	Wierenga et al.	KR	101468710
2015/0362736	A1	12/2015	Kowasic	KR	200475419
2016/0009024	A1	1/2016	Mason	KR	200475420
2016/0253039	A1*	9/2016	Heo ..... G06F 3/0412 345/173	KR	1020140136596
				KR	1020140142904
2017/0001364	A1	1/2017	MacDonald et al.	KR	1020140143262



KR	1020150006910	1/2015
KR	200476916	4/2015
KR	1020150039292	4/2015
KR	2020150001663	5/2015
KR	300804459	7/2015
KR	1020160022665	3/2016
KR	1020160022755	3/2016
KR	1020160061078	5/2016
KR	1020160088067	7/2016
KR	1020160091491	8/2016
KR	2020170000128	1/2017
TW	1401223	7/2013
WO	2003093879	11/2003
WO	2004005141	1/2004
WO	2005058705	6/2005
WO	WO2011065796	6/2011
WO	2011163151	12/2011
WO	2012074802	6/2012
WO	2012/141505	10/2012

## OTHER PUBLICATIONS

International Search Report and Written Opinion for PCT/US09/61553, dated Dec. 17, 2009.

Protrusion on “F” key of computer keyboard; 1 page; picture taken Oct. 20, 2008.

Protrusion on “5” key of telephone; 1 page; picture take Oct. 20, 2008.

Systech Displays, Inc.; Home page; <http://www.systechdisplays.com/>; Oct. 21, 2008.

Translation of KR-10-1135144, retrieved from the Internet on Jun. 9, 2017.

Belkin Ez Frame Iris Anti-glare Film, posted at ebay.com, posting date Jul. 26, 2017, Copyright (C) 1995-2017 eBay Inc., [online], [site visited Mar. 20, 2017]. Available from Internet, <URL: <http://www.ebay.com/itm/BelkinEzFrameIrisAntiglareFilmwithEasyInstallFrameforIphone55S/171728155795>>.

Belkin InvisiGlass Ultra Screen Protection for iPhone 7, posted at apple.com, posting date not given, Copyright (C) 2017 Apple Inc., [online], [site visited Mar. 20, 2017]. Available from Internet, <URL: <http://www.apple.com/shop/product/HKF2ZM/B/belkininvisiglassultrascreenprotectionforiphone7>>.

Belkin ScreenForce Transparent Screen Protector, posted at belkin.com, (C) 2017 Belkin International, Inc., [online], [site visited Mar. 20, 2017]. Available from Internet, <URL: <http://www.belkin.com/us/F8W526-3/p/P-F8W526-3/>>.

International Search Report and Written Opinion for PCT/US2017/051882, dated Nov. 29, 2017.

AMZER—Kristal Screen Protectors—<http://www.amzer.com/kristal/>, accessed Mar. 21, 2014.

MyScreenPROTECTOR—<https://www.myscreenprotector.com/?Ing=3&view=cms&txt=about-my-screen-protector>, accessed Mar. 21, 2014.

PureGear—PureTek Roll-On Kit—<http://www.pure-gear.com/shop-by-category/screen/puretek-roll-on-kit-antibacterial-antiglare-anti-fingerprint.htm>, accessed Mar. 21, 2014.

TYLT ALIN Perfect Alignment Screen Protection—<http://www.tytl.com/alin/>, accessed Mar. 21, 2014.

ZAGG Introduces invisibleSHIELD on Demand and invisible Shield Glass at CES 2—<http://investors.zagg.com/releasedetail.cfm?ReleaseID=817526>, accessed Mar. 21, 2014.

International Search Report and Written Opinion for PCT/US2014/060300 dated Jan. 27, 2015.

International Search Report and Written Opinion for PCT/US2014/050420 dated Nov. 19, 2014.

International Search Report and Written Opinion for PCT/US2014/071767 dated Apr. 24, 2015.

AMZER—Kristal Screen Protectors—<http://www.amzer.com/kristal/>, Mar. 21, 2014.

MyScreenPROTECTOR—<https://www.myscreenprotector.com/?Ing=3&view=cms&bd=about-my-screen-protector>, Mar. 21, 2014.

PureGear—PureTek Roll-On Kit—<http://www.pure-gear.com/shop-by-category/screen/puretek-roll-on-kit-antibacterial-antiglare-anti-fingerprint.html>, Mar. 21, 2014.

TYLT Alin Perfect Alignment Screen Protection—<http://www.tytl.com/alin/>, Mar. 21, 2014.

ZAGG Introduces invisibleSHIELD on Demand and invisible Shield Glass at CES 2—<http://investors.zagg.com/releasedetail.cfm?ReleaseID=817526>, Mar. 21, 2014.

\* cited by examiner

Primary Examiner — Austin Murphy

(74) Attorney, Agent, or Firm — Bryan Cave Leighton Paisner LLP

(57)

## CLAIM

We claim the ornamental design for the overlay tray, substantially as shown and described.

## DESCRIPTION

FIG. 1 is a top, front, left side perspective view of an overlay tray, according to a first embodiment;

FIG. 2 is a top plan view of the overlay tray, according to the first embodiment;

FIG. 3 is a bottom plan view of the overlay tray, according to the first embodiment;

FIG. 4 is a right side elevational view of the overlay tray, according to the first embodiment;

FIG. 5 is a left side elevational view of the overlay tray, according to the first embodiment;

FIG. 6 is a front side elevational view of the overlay tray, according to the first embodiment;

FIG. 7 is a rear side elevational view of the overlay tray, according to the first embodiment;

FIG. 8 is an enlarged front side elevational view of a portion of the overlay tray, as identified in FIG. 6, according to the first embodiment;

FIG. 9 is a top, front, left side perspective view of an overlay tray, according to a second embodiment;

FIG. 10 is a top plan view of the overlay tray, according to the second embodiment;

FIG. 11 is a bottom plan view of the overlay tray, according to the second embodiment;

FIG. 12 is a right side elevational view of the overlay tray, according to the second embodiment;

FIG. 13 is a left side elevational view of the overlay tray, according to the second embodiment;

FIG. 14 is a front side elevational view of the overlay tray, according to the second embodiment;

FIG. 15 is a rear side elevational view of the overlay tray, according to the second embodiment; and,

FIG. 16 is an enlarged front side elevational view of a portion of the overlay tray, as identified in FIG. 14, according to the second embodiment.

The evenly dashed broken lines of the various embodiments of the overlay are directed to environment and are for illustrative purposes only; the evenly dashed broken lines form no part of the claimed design.

1 Claim, 10 Drawing Sheets

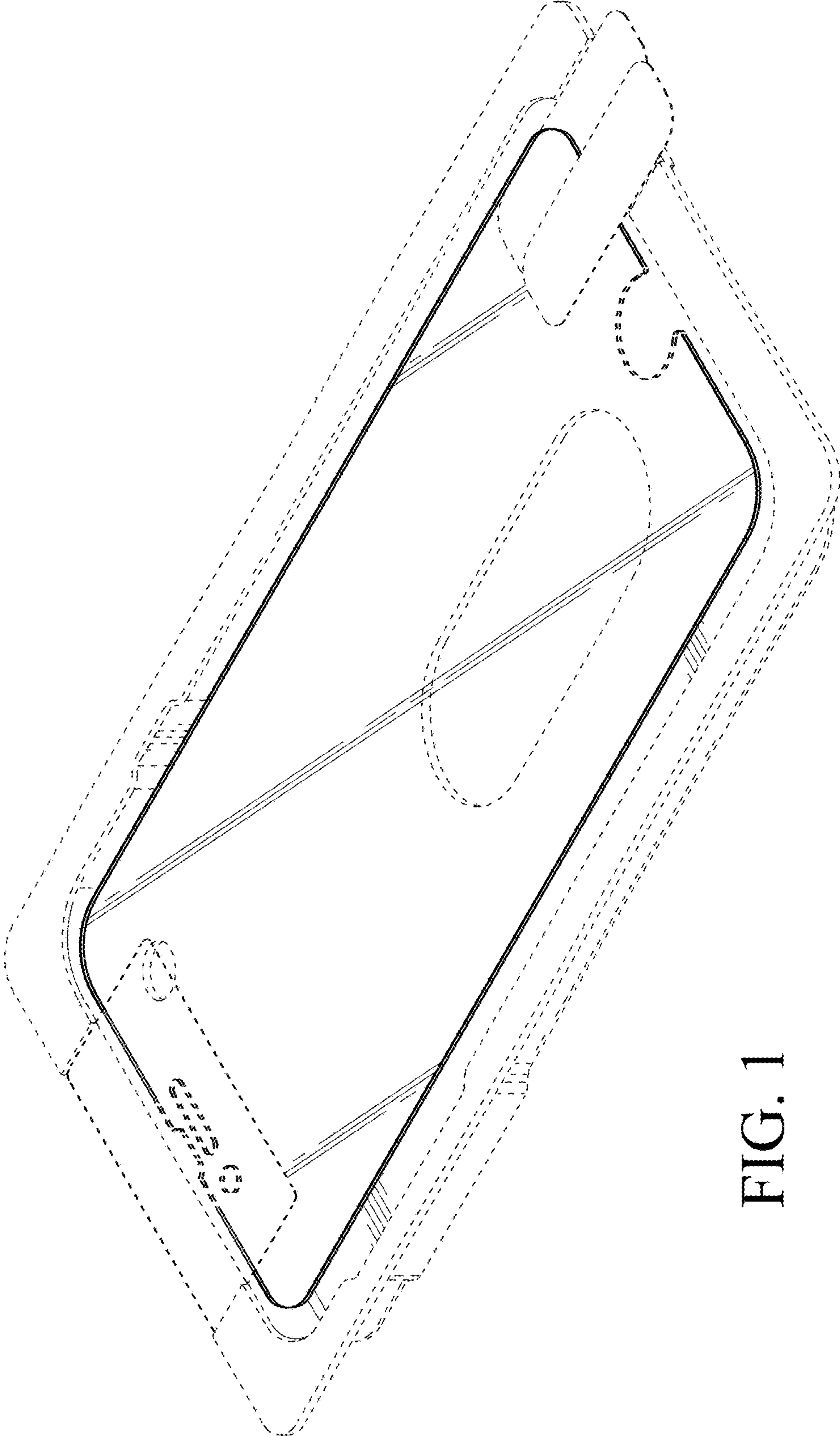


FIG. 1

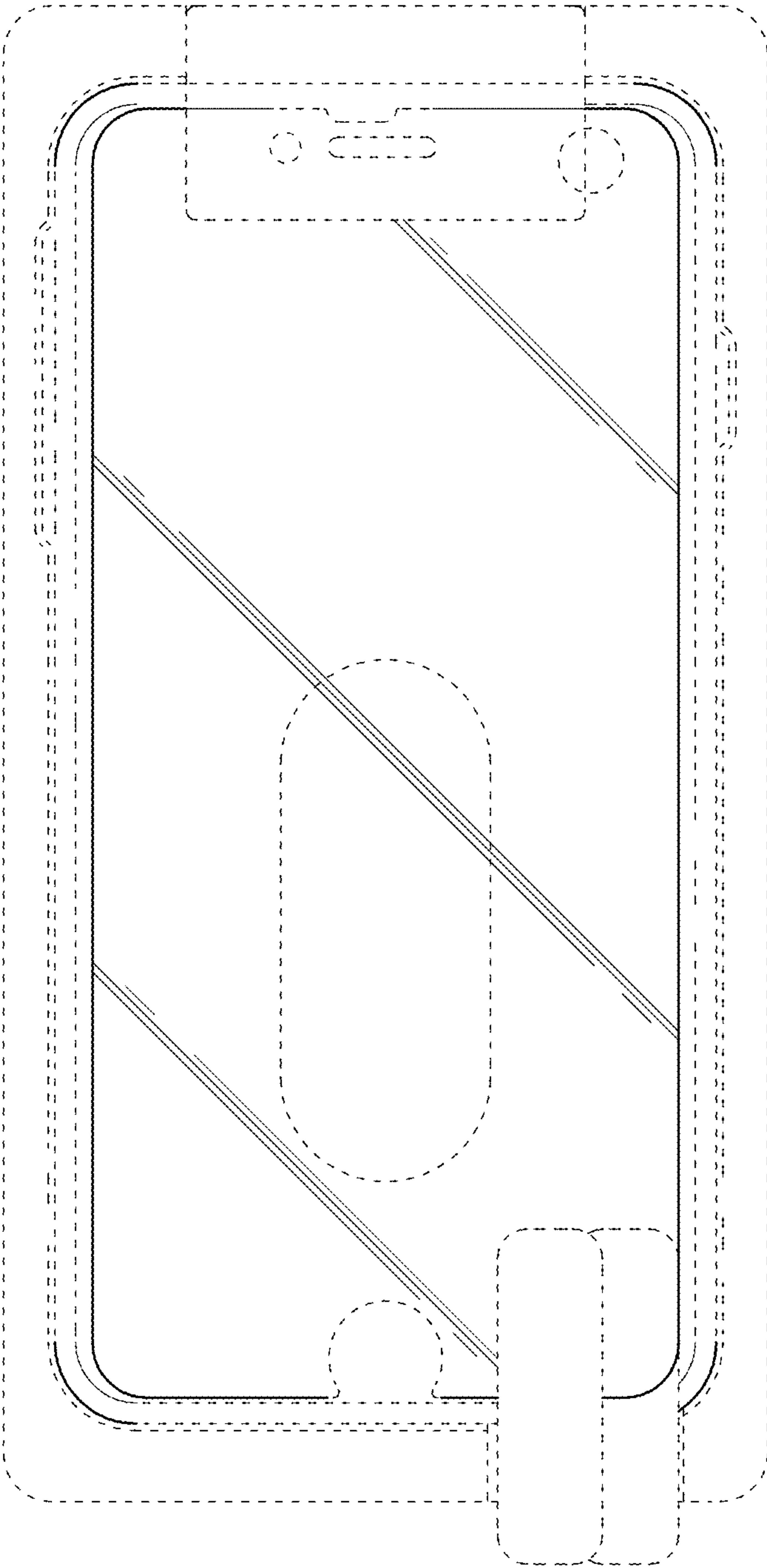


FIG. 2



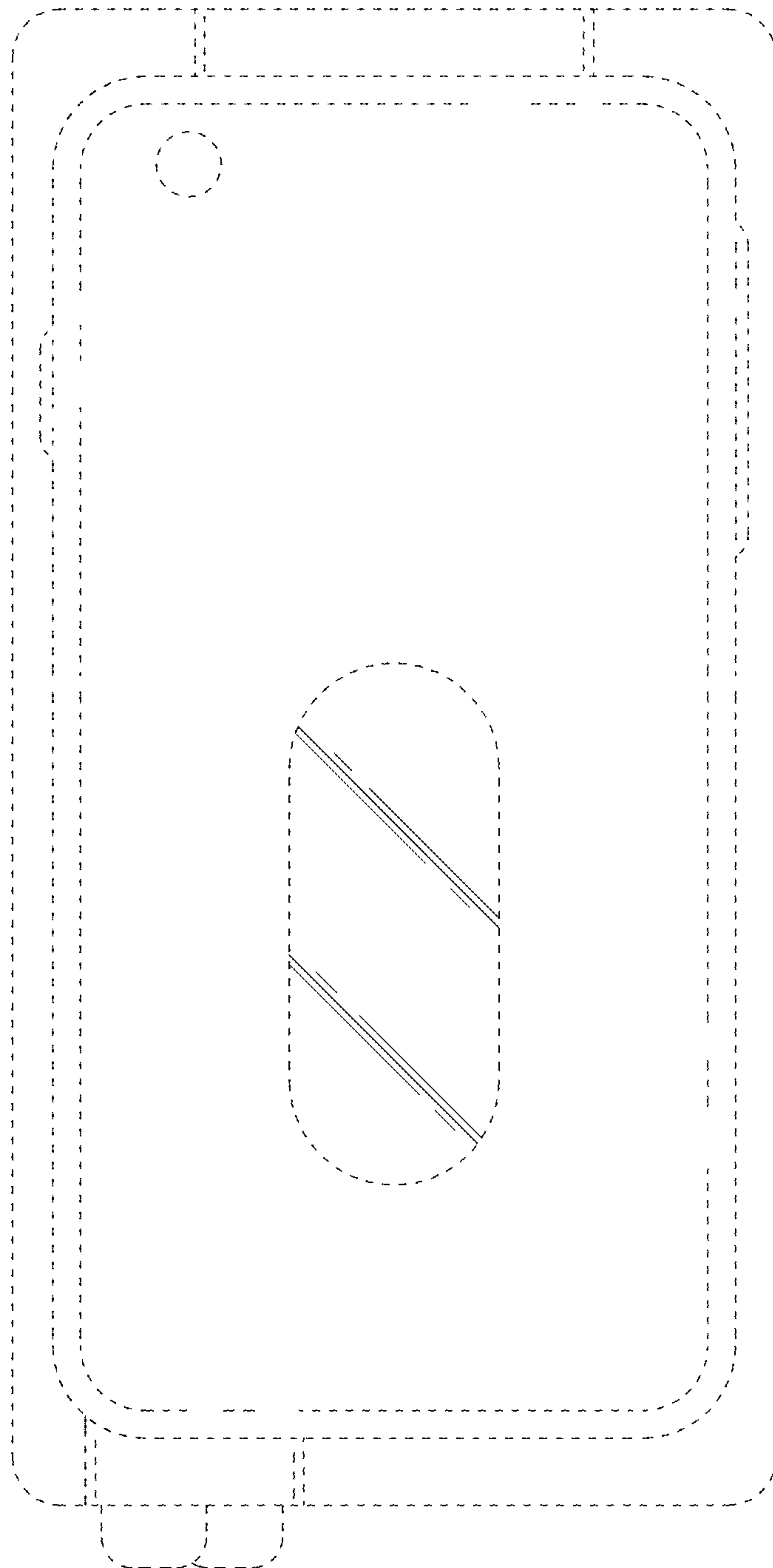


FIG. 3

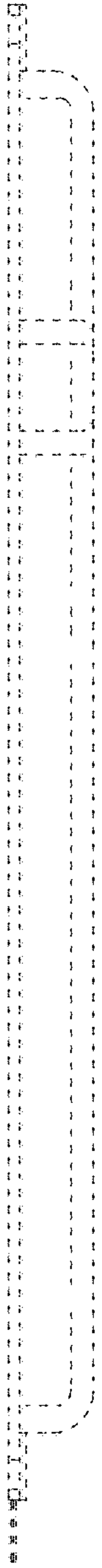


FIG. 4

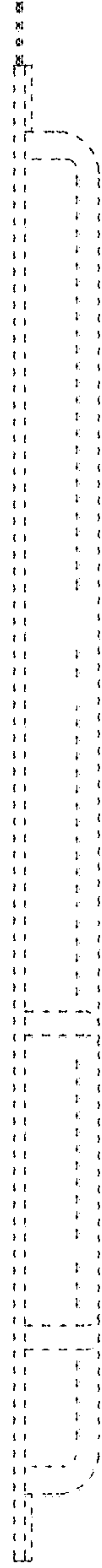


FIG. 5

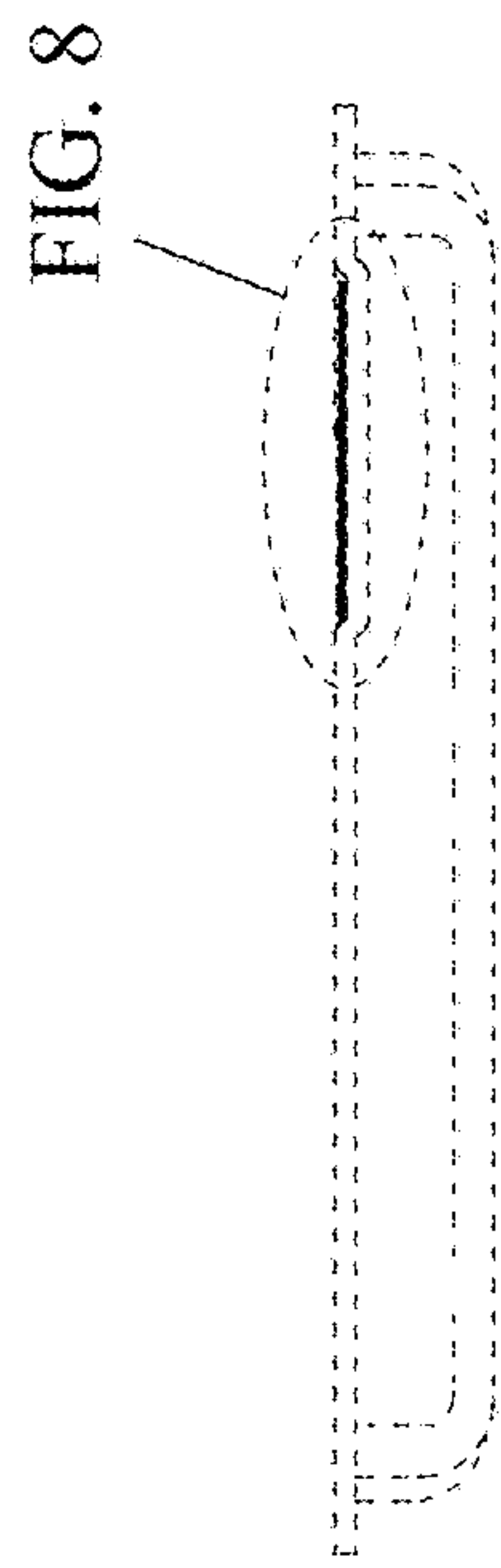


FIG. 6

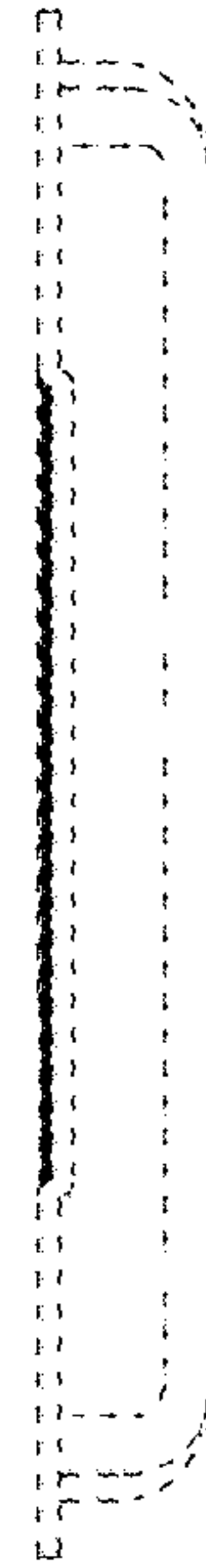


FIG. 7

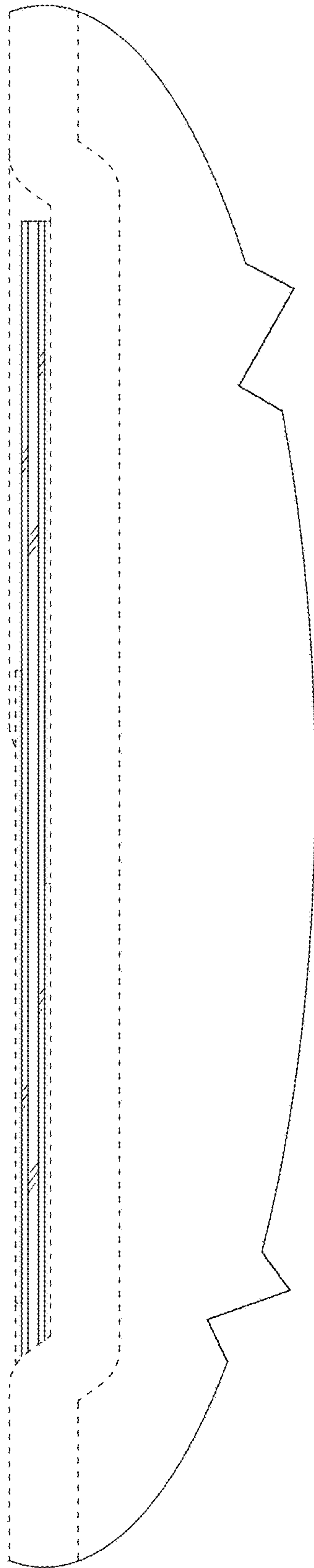


FIG. 8



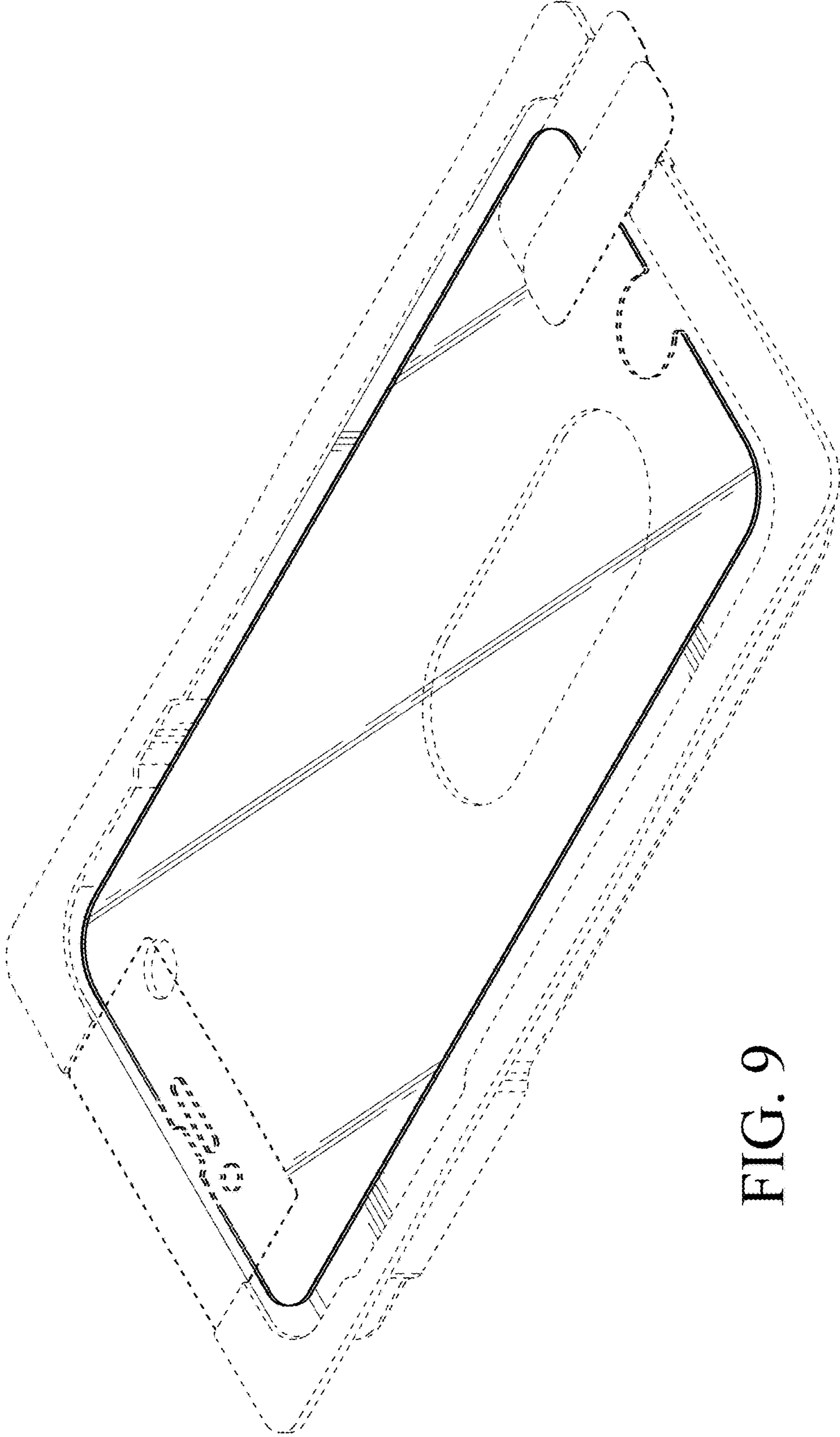


FIG. 9

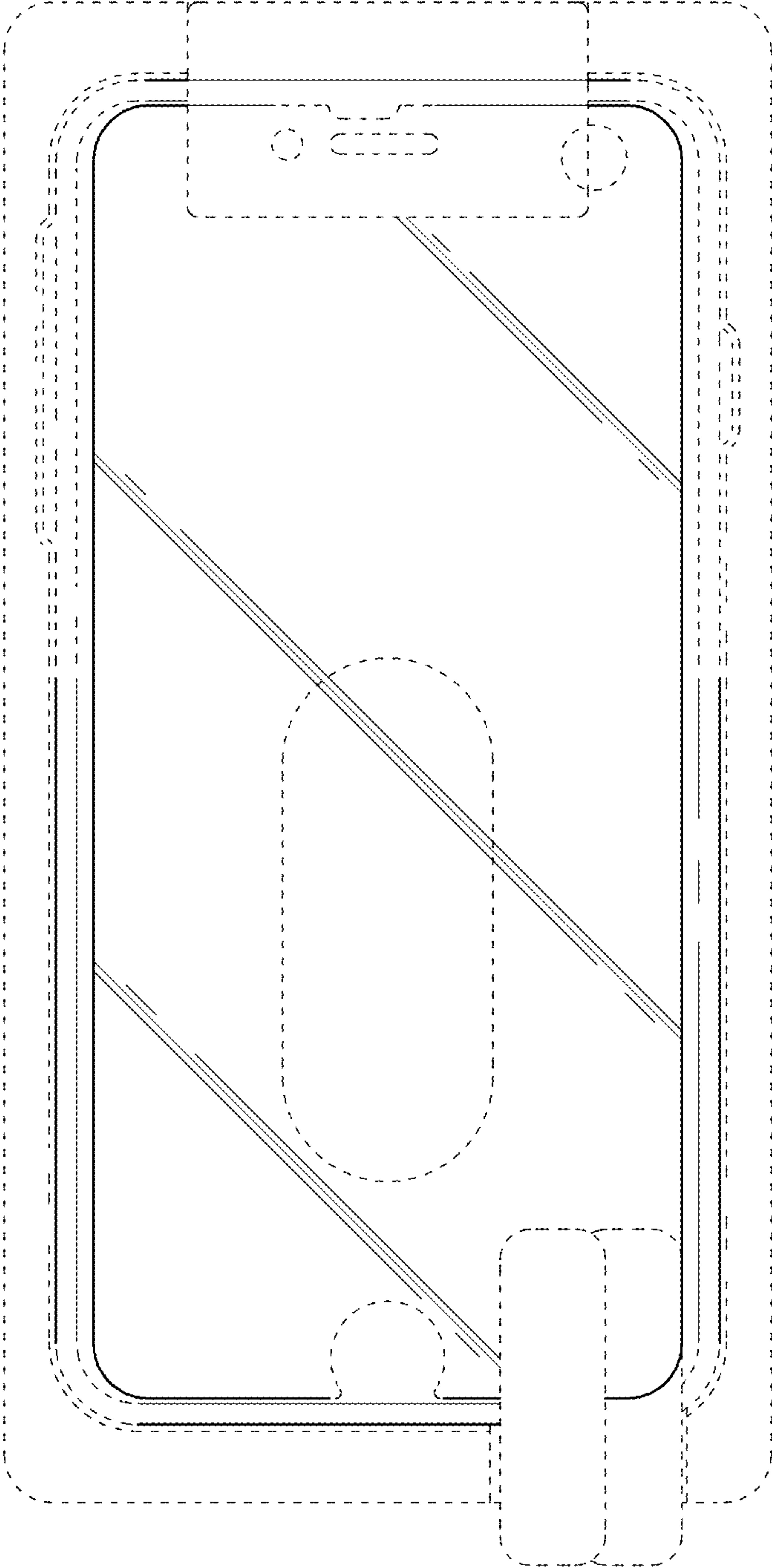


FIG. 10

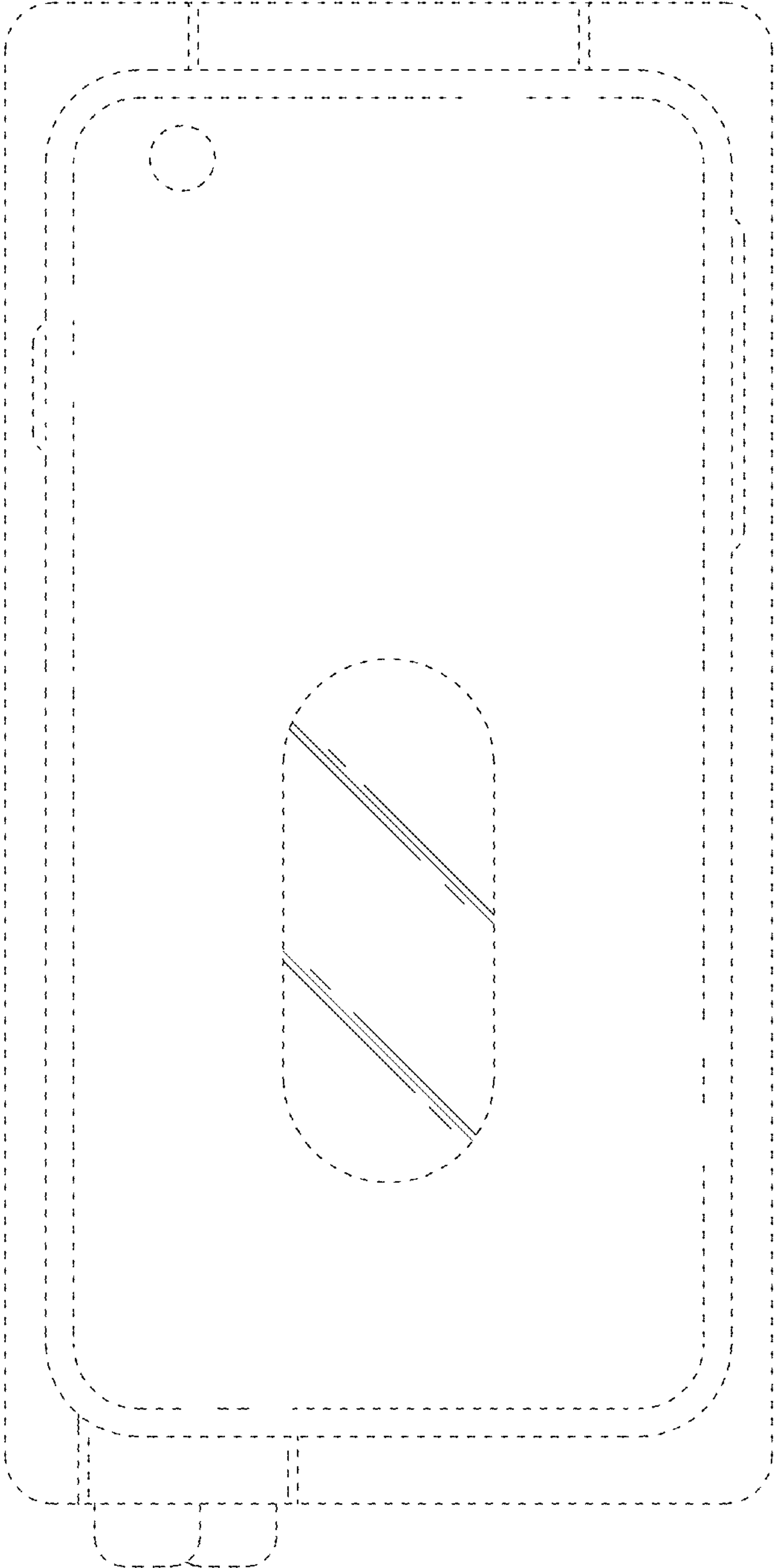


FIG. 11



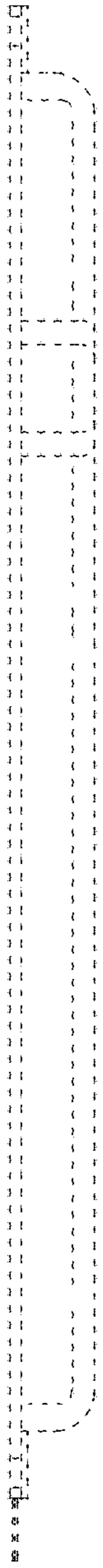


FIG. 12

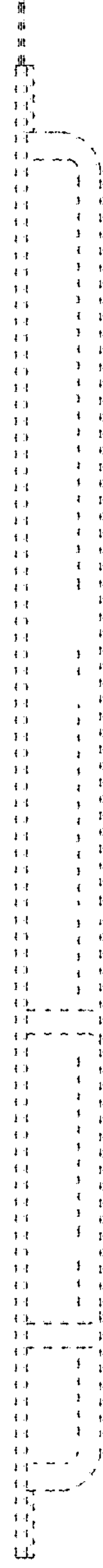


FIG. 13

FIG. 16

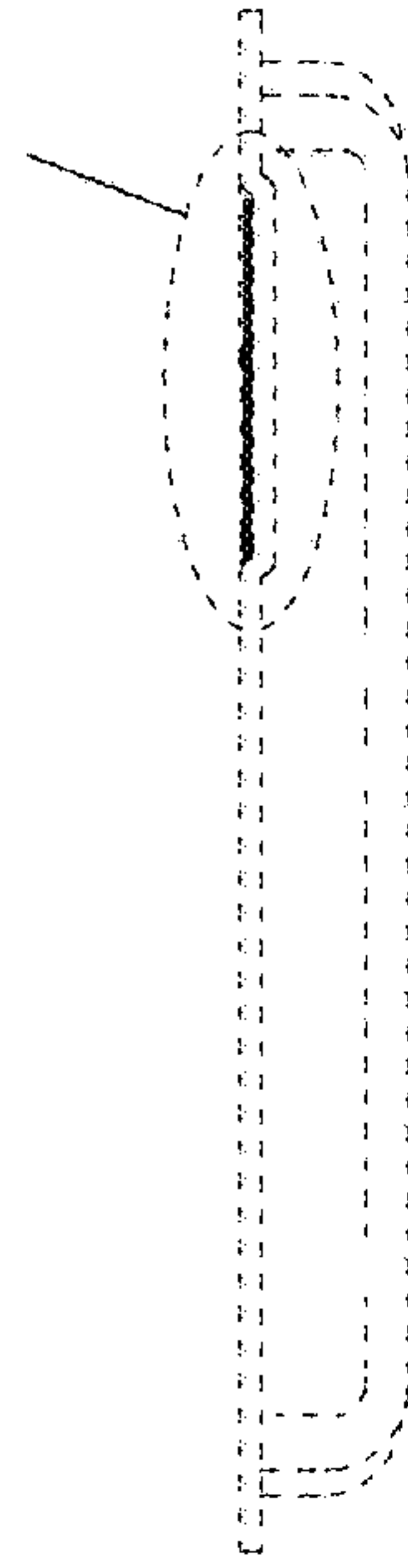


FIG. 14

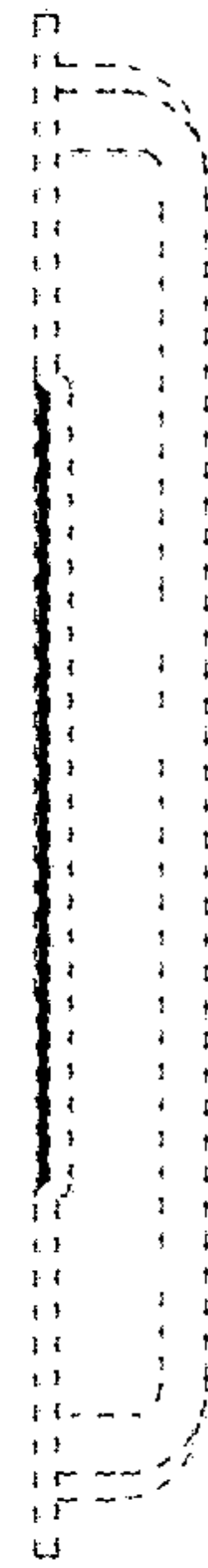


FIG. 15

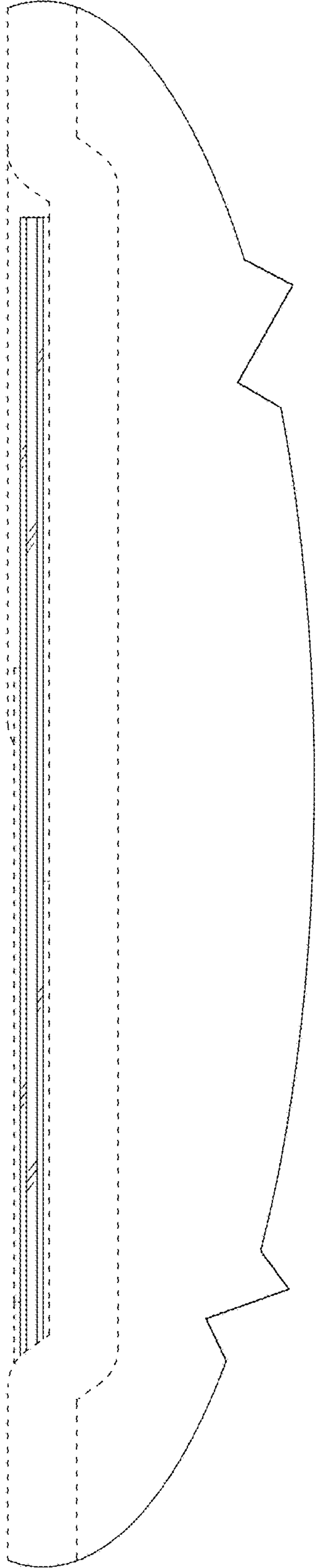


FIG. 16