



US00D833438S

(12) **United States Design Patent**  
**Lim et al.**

(10) **Patent No.:** **US D833,438 S**

(45) **Date of Patent:** **\*\* Nov. 13, 2018**

(54) **WEARABLE DATA CAPTURE DEVICE**

(71) Applicant: **Symbol Technologies, LLC**, Holtsville, NY (US)

(72) Inventors: **Sunghun Lim**, Bethpage, NY (US);  
**Edward M. Voli**, East Setauket, NY (US); **Chandra M. Nair**, Mount Sinai, NY (US); **Kevin C. Chen**, Miller Place, NY (US); **Robert K. Liao**, South Setauket, NY (US)

(73) Assignee: **Symbol Technologies, LLC**, Holtsville, NY (US)

(\*\*) Term: **15 Years**

(21) Appl. No.: **29/560,991**

(22) Filed: **Apr. 12, 2016**

(51) **LOC (11) Cl.** ..... **14-02**

(52) **U.S. Cl.**  
USPC ..... **D14/427**

(58) **Field of Classification Search**

USPC ..... D11/26, 27, 28, 29; D14/372, 373, 420, D14/426, 427, 430, 431; D16/300, 301, D16/309, 310, 321, 335, 336, 337, 341  
CPC ..... G02B 27/00093; G02B 27/017; G02B 27/0176; G02B 2027/0138; G02B 2027/0178; G06K 19/06028; G06F 17/30879; G06F 1/163

See application file for complete search history.

(56) **References Cited**

**U.S. PATENT DOCUMENTS**

D335,662 S \* 5/1993 Shepard ..... D14/427  
D342,245 S \* 12/1993 Krichever ..... D14/427  
5,340,972 A \* 8/1994 Sandor ..... G06K 7/10564  
235/462.44  
D377,348 S \* 1/1997 Karlin ..... D14/2

D391,250 S \* 2/1998 Swift ..... D14/427  
6,015,090 A \* 1/2000 Swartz ..... G06K 7/10861  
235/462.32  
D462,688 S \* 9/2002 Schieffers ..... D14/420  
D462,964 S \* 9/2002 Croley ..... D14/420  
6,634,558 B1 \* 10/2003 Patel ..... G06K 7/10891  
235/462.01  
D554,641 S \* 11/2007 Miller ..... D14/427  
D601,151 S \* 9/2009 Morris ..... D14/453  
7,959,084 B2 \* 6/2011 Wulff ..... G06K 17/0022  
235/472.02  
8,260,384 B2 \* 9/2012 Wulff ..... A45F 5/00  
224/267  
D673,953 S \* 1/2013 Li ..... D11/27  
D687,332 S \* 8/2013 Nishizawa ..... D11/26  
D689,862 S \* 9/2013 Liu ..... D14/402

(Continued)

*Primary Examiner* — Susan E Krakower  
*Assistant Examiner* — L. A. Grabenstetter

(57) **CLAIM**

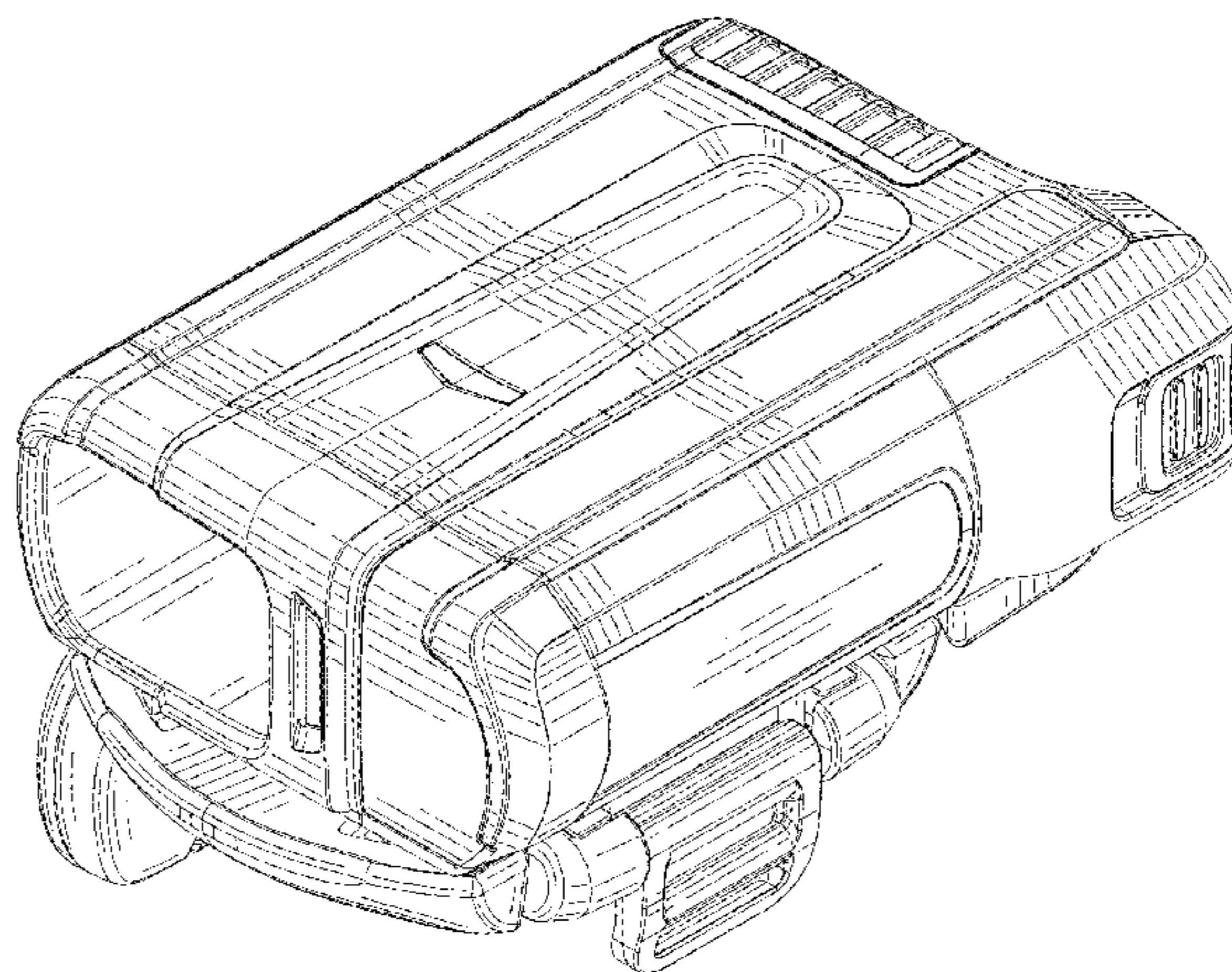
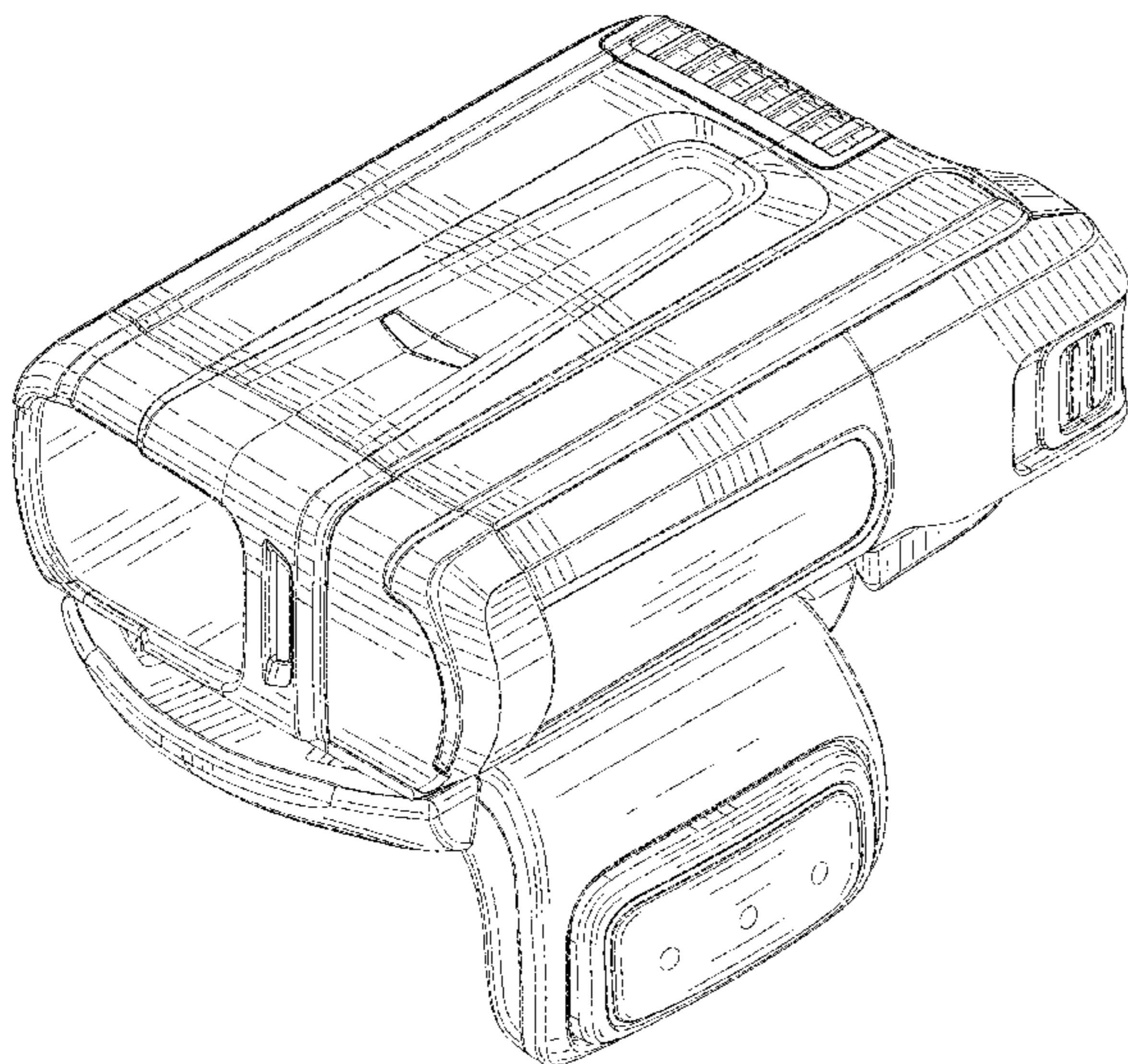
We claim the ornamental design for a wearable data capture device, as shown and described.

**DESCRIPTION**

FIG. 1 is a top front perspective view of a wearable data capture device with a rotatable assembly in a first position; FIG. 2 is a bottom front perspective view thereof; FIG. 3 is a second top front perspective view, with the rotatable assembly in a second position; FIG. 4 is the second bottom front perspective view thereof; FIG. 5 is a top plan view, with the rotatable assembly in the first position; FIG. 6 is a bottom plan view thereof; FIG. 7 is a first side view thereof; FIG. 8 is a second side view thereof; FIG. 9 is a front view thereof; and, FIG. 10 is a back view thereof.

The broken lines depict unclaimed portions of the wearable data capture device.

**1 Claim, 10 Drawing Sheets**



(56)

**References Cited**

U.S. PATENT DOCUMENTS

2002/0000470 A1\* 1/2002 Lanzaro ..... G06F 1/1626  
235/462.45  
2002/0030094 A1\* 3/2002 Curry ..... G04B 47/00  
235/375  
2006/0289771 A1\* 12/2006 White ..... G06K 7/10891  
250/370.1  
2008/0054039 A1\* 3/2008 Wulff ..... A45F 5/00  
224/575  
2008/0078838 A1\* 4/2008 Morris ..... G06K 7/10891  
235/462.44  
2008/0097724 A1\* 4/2008 Morris ..... G06K 7/0008  
702/187  
2008/0197195 A1\* 8/2008 Miller ..... G06K 7/0004  
235/440  
2010/0176166 A1\* 7/2010 Siagri ..... A44C 5/0007  
224/271  
2011/0090148 A1\* 4/2011 Li ..... G06F 1/163  
345/158  
2011/0121075 A1\* 5/2011 Bellows ..... G06K 7/0004  
235/440  
2013/0114232 A1\* 5/2013 Tsai ..... G06F 1/1626  
361/807  
2015/0181351 A1\* 6/2015 Sarow ..... A44C 5/0015  
381/334

\* cited by examiner

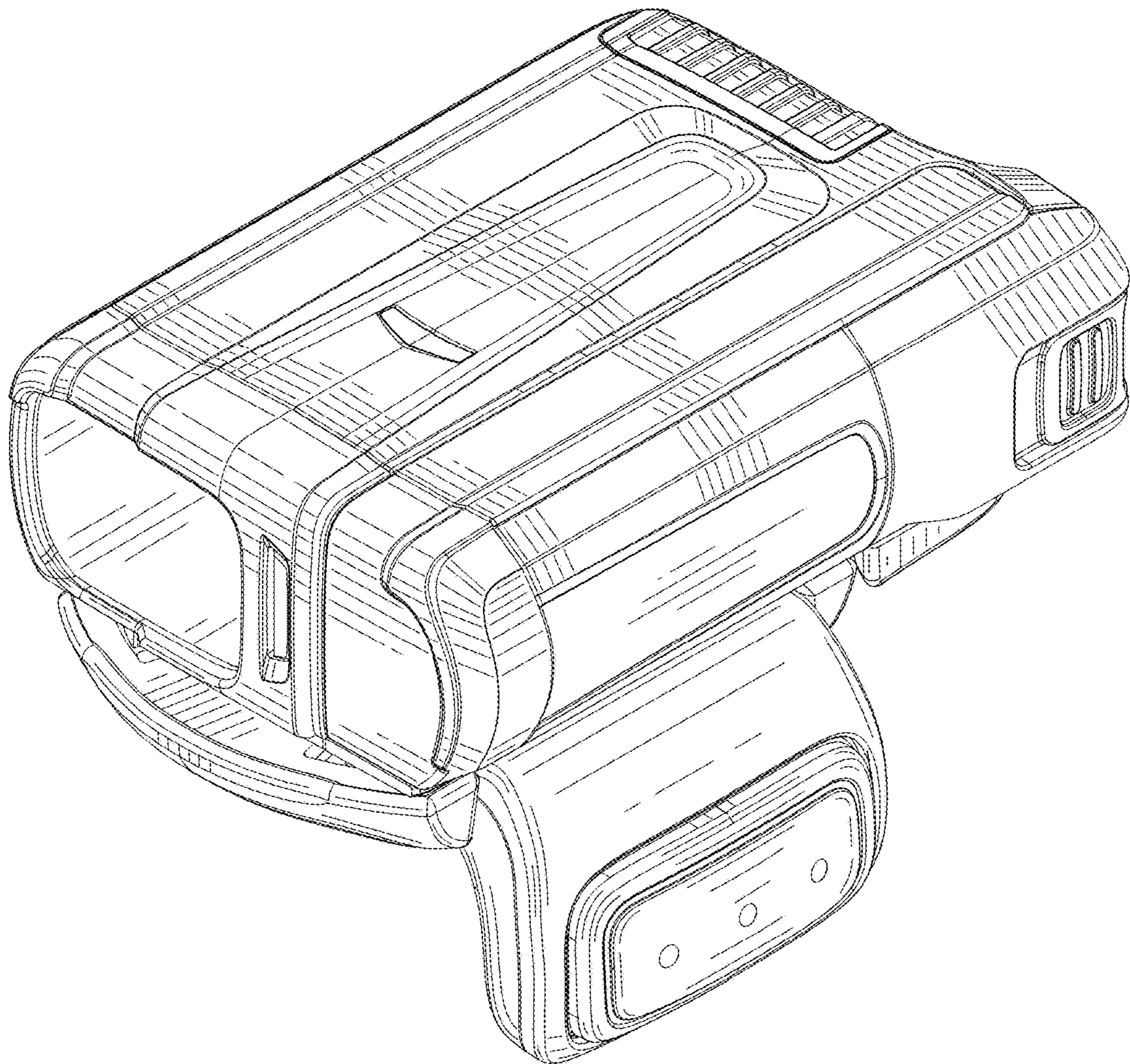


FIG. 1

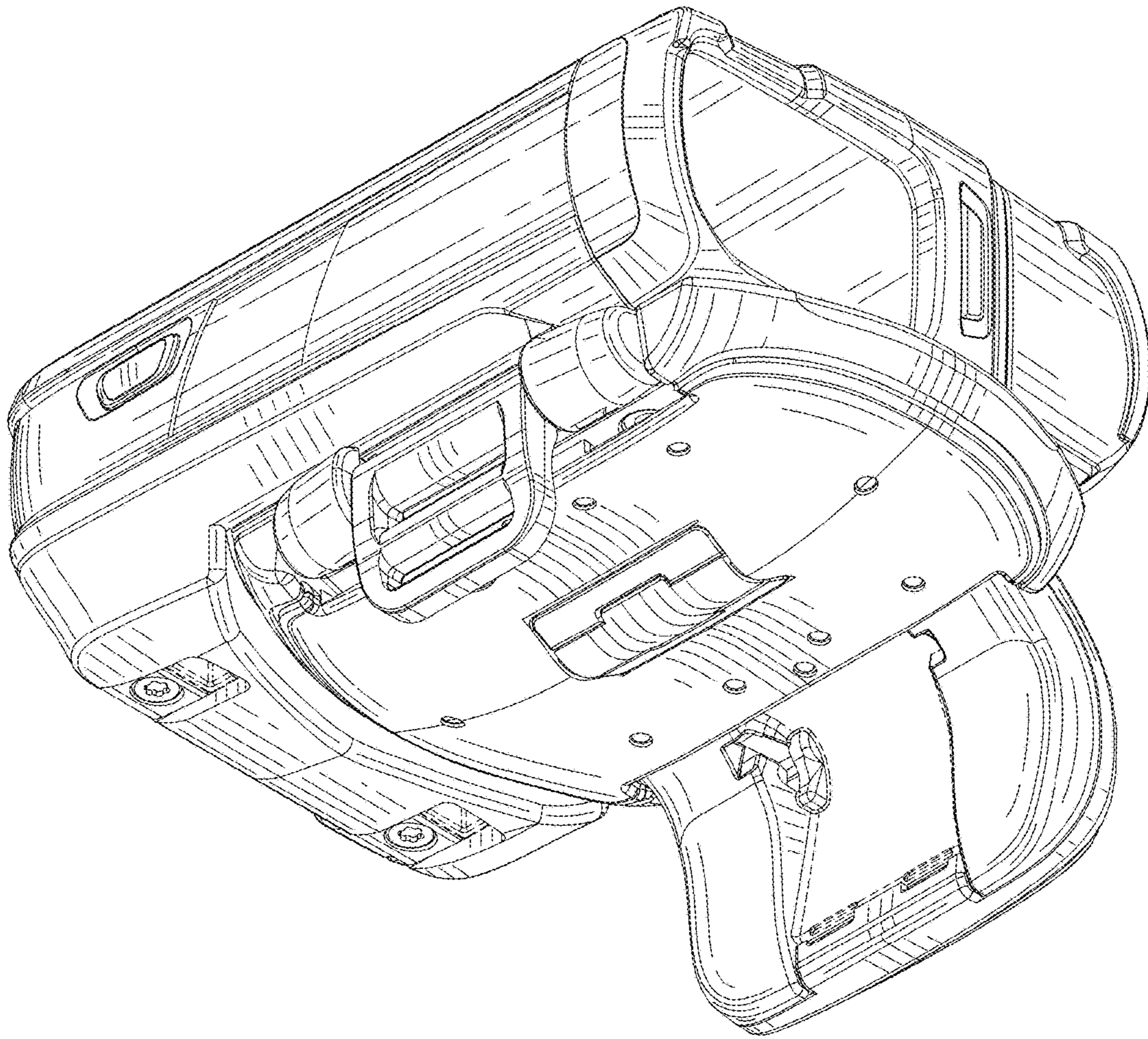


FIG. 2

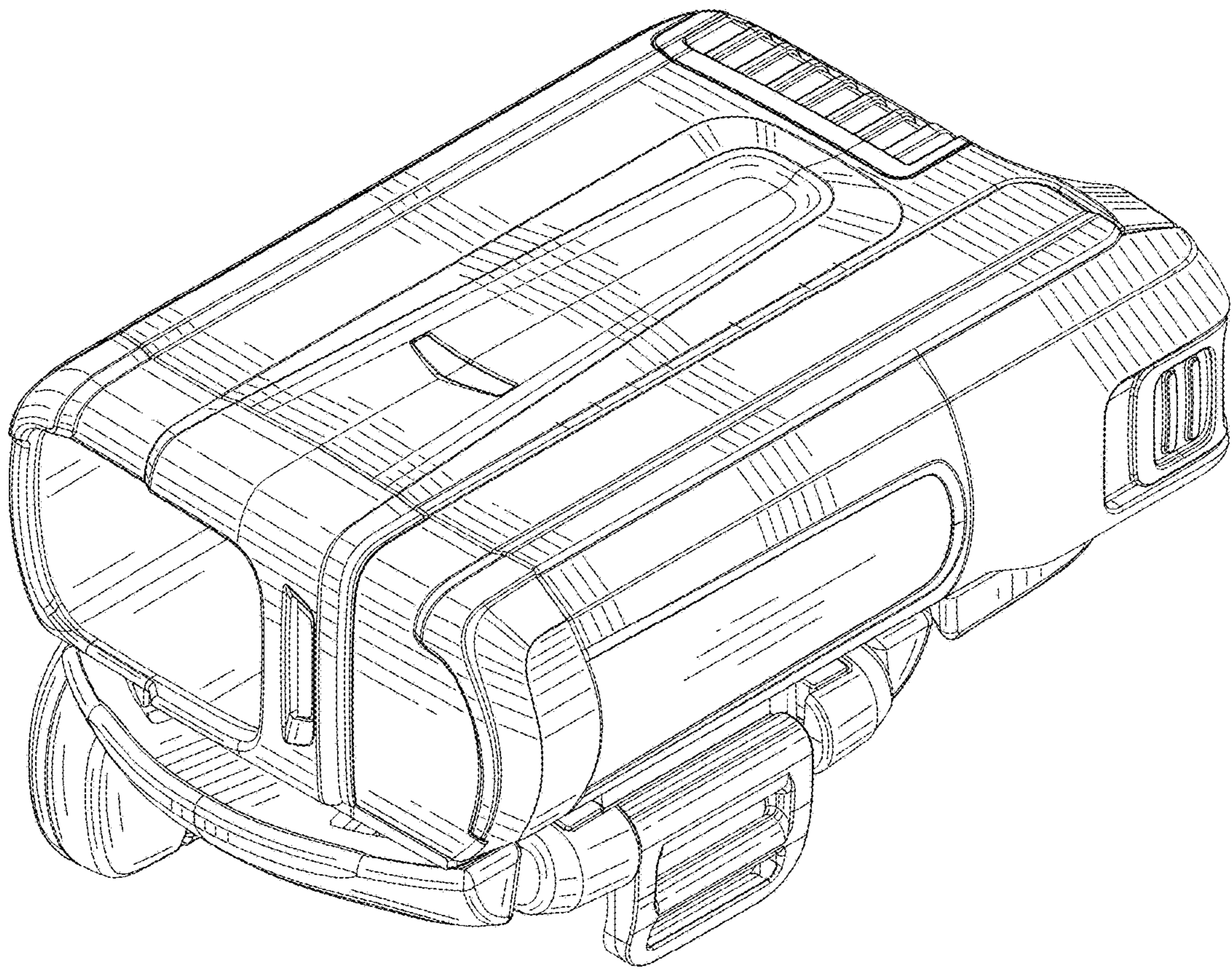


FIG. 3

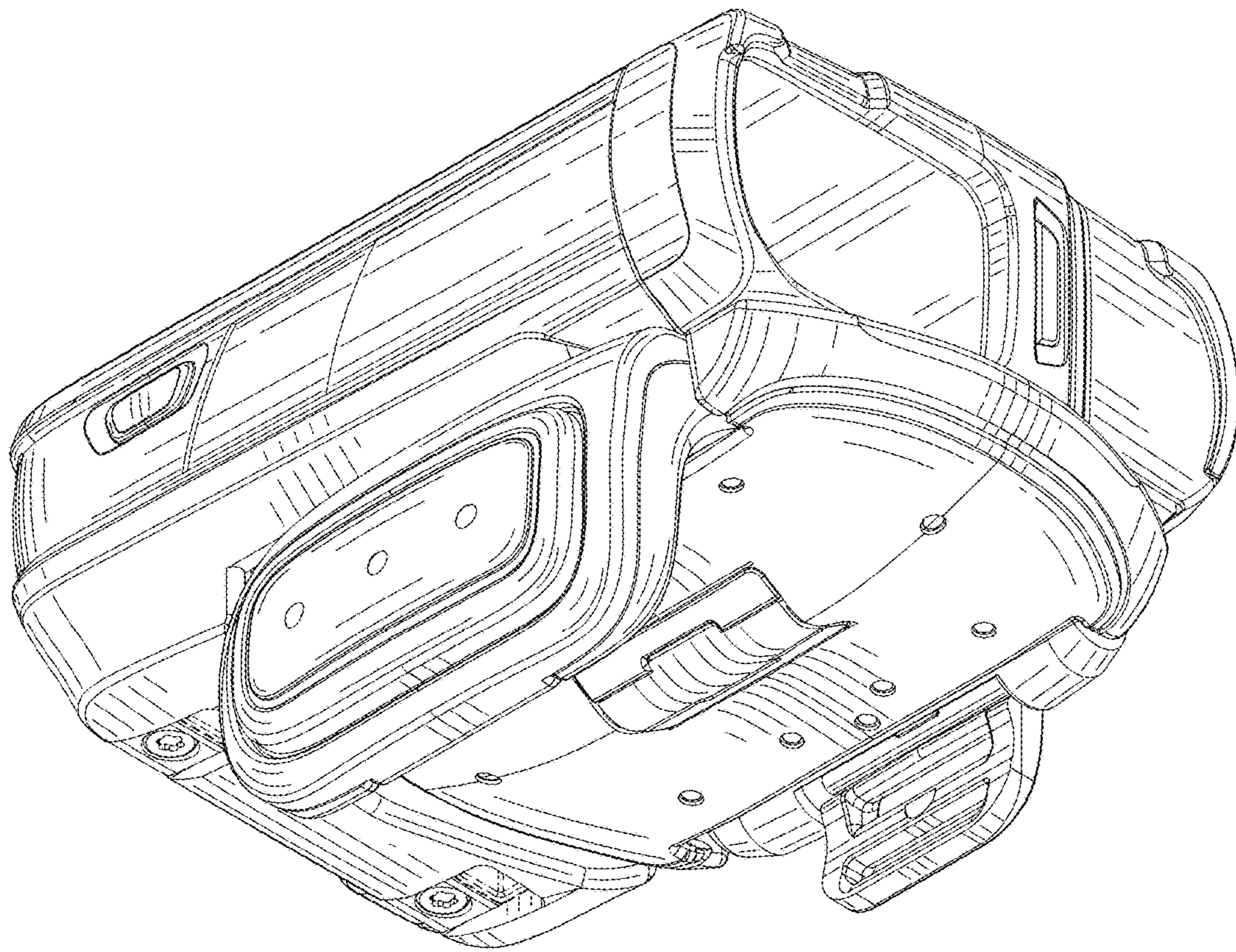


FIG. 4

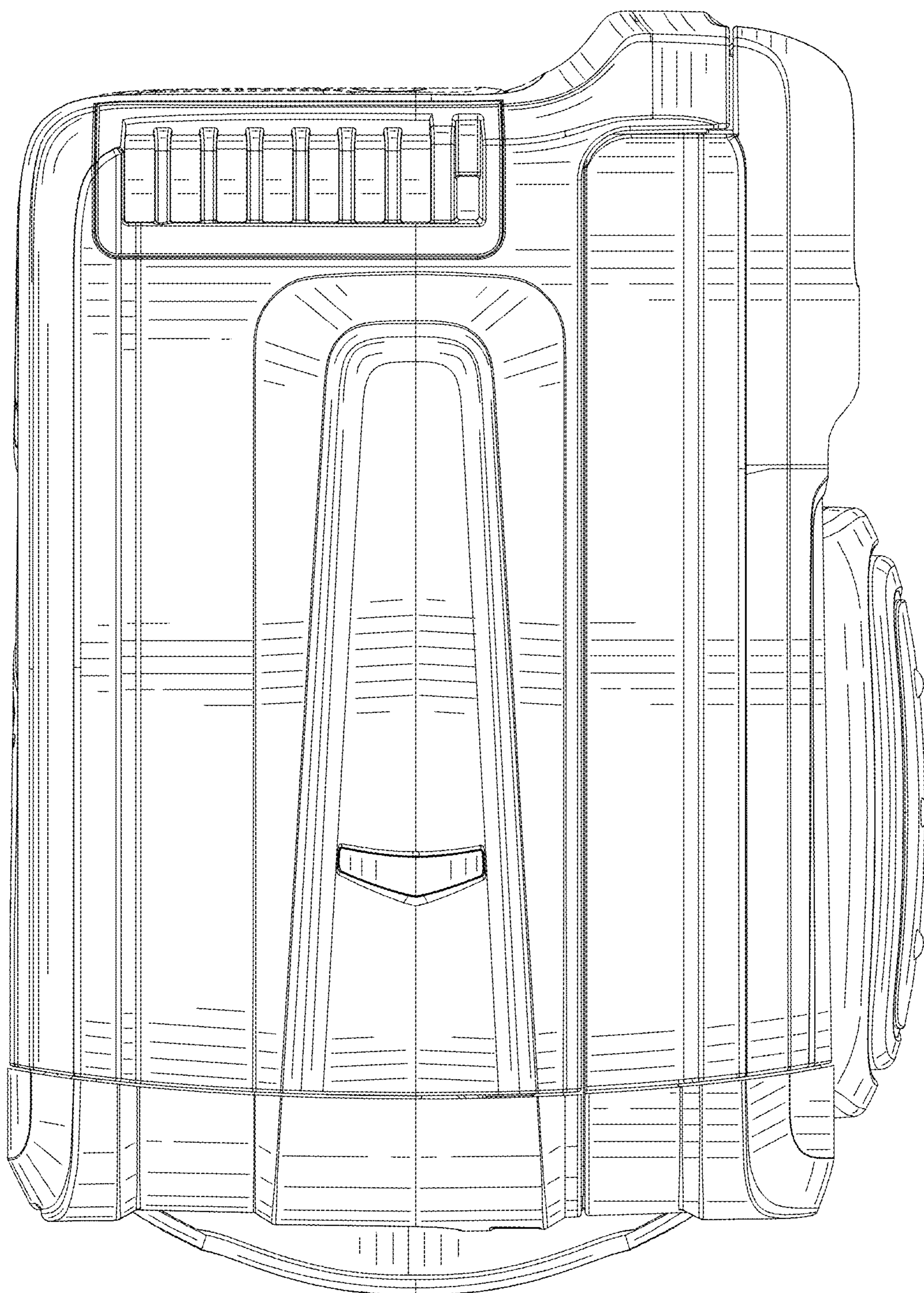


FIG. 5

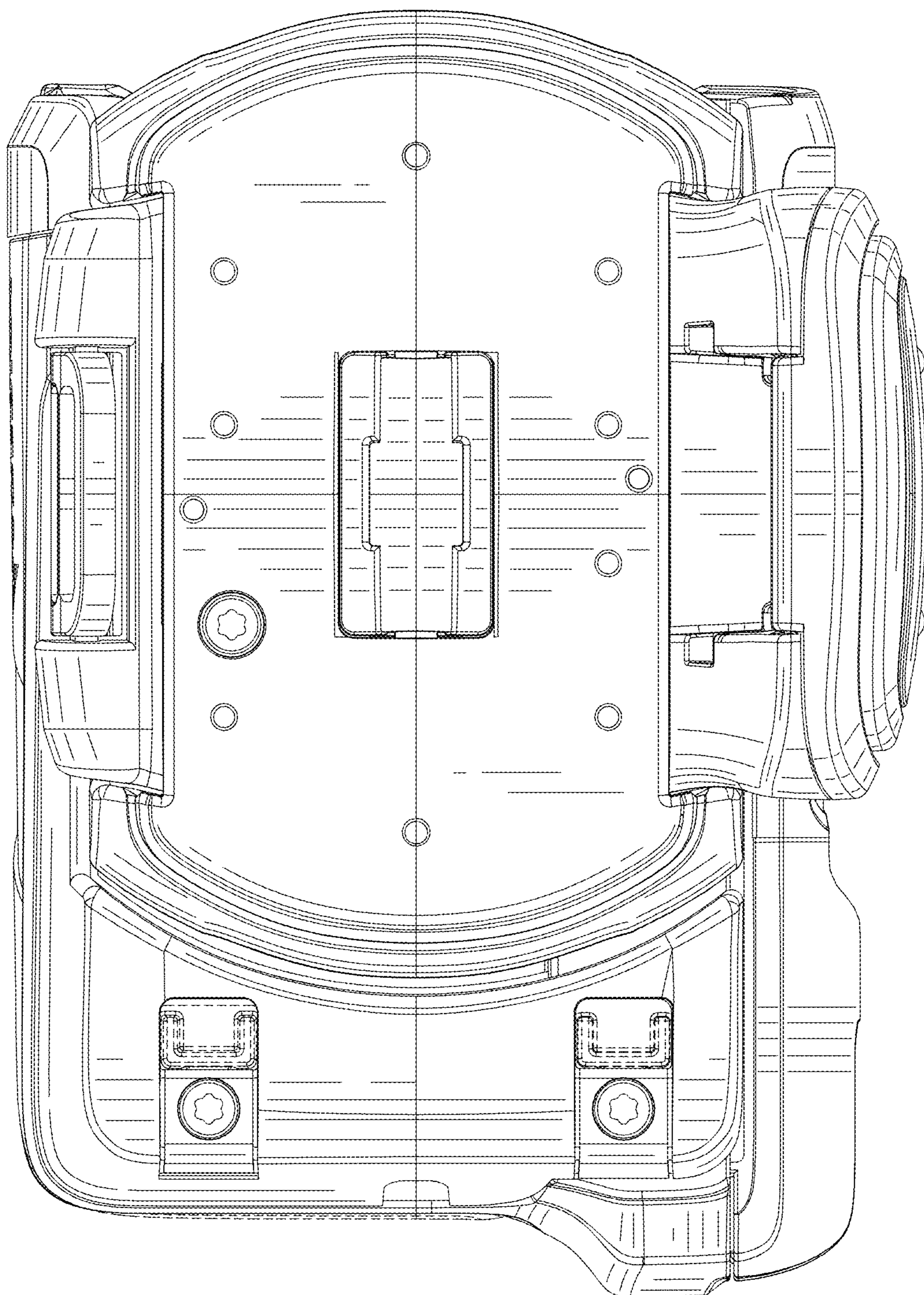


FIG. 6



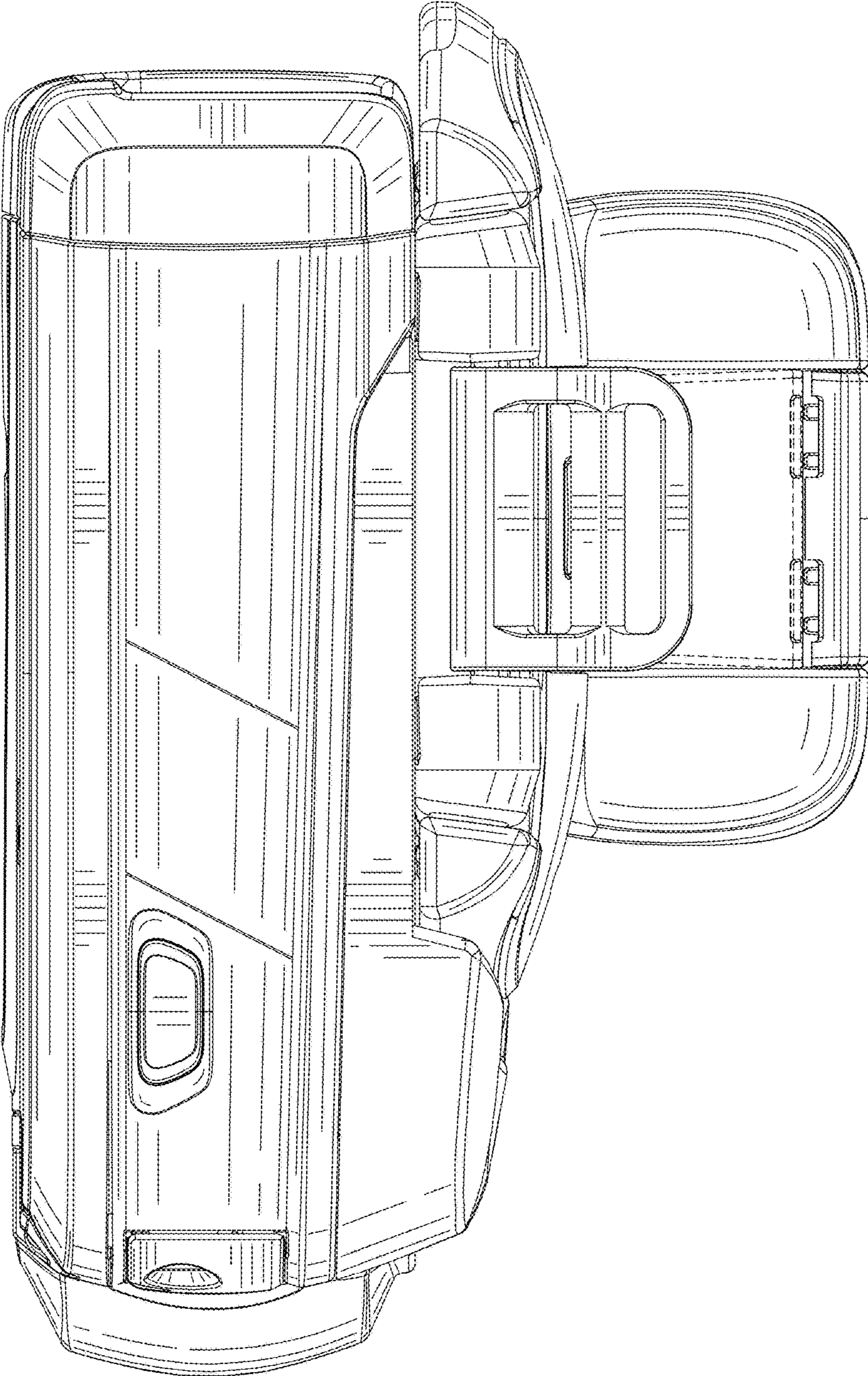


FIG. 7

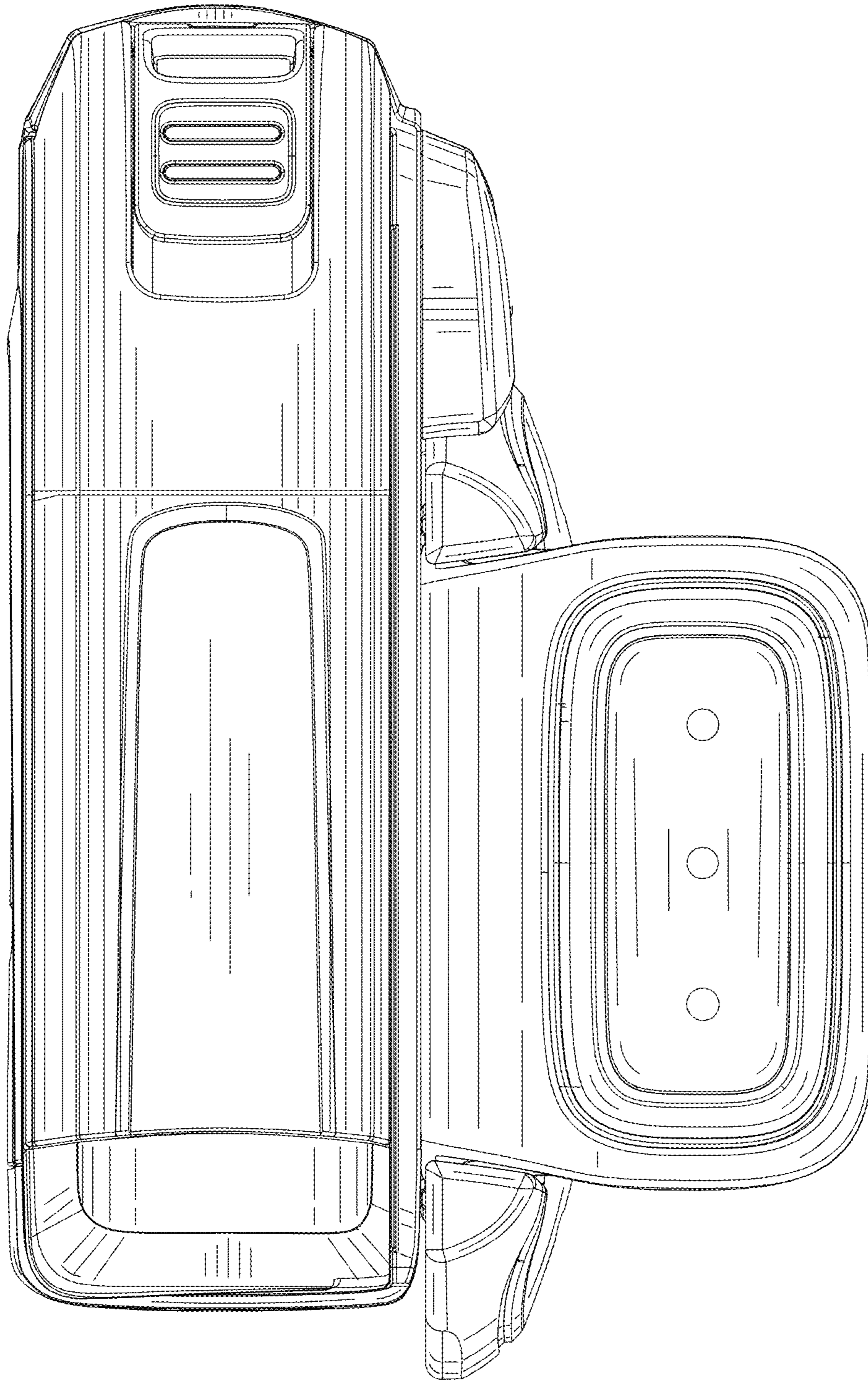


FIG. 8

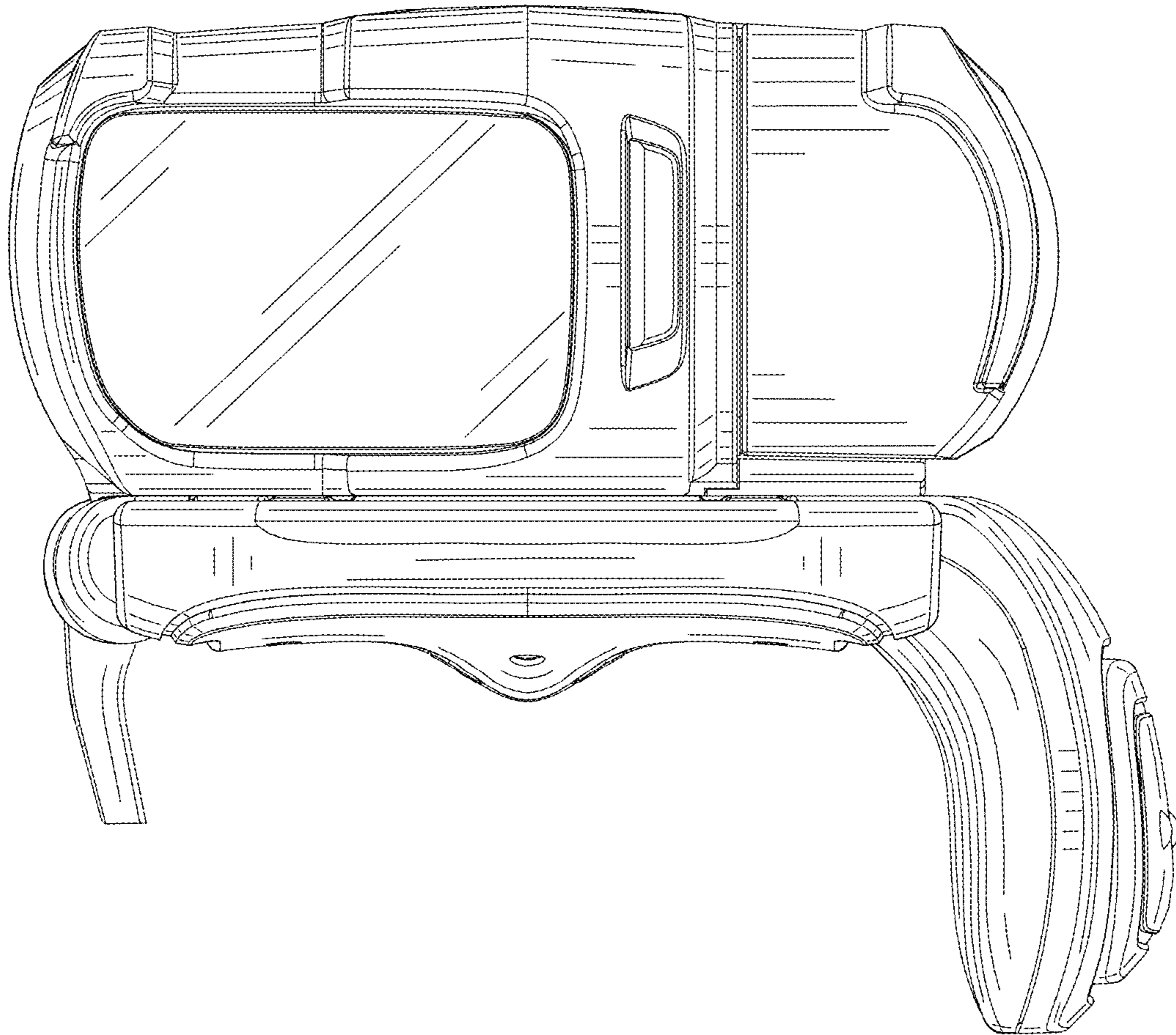


FIG. 9

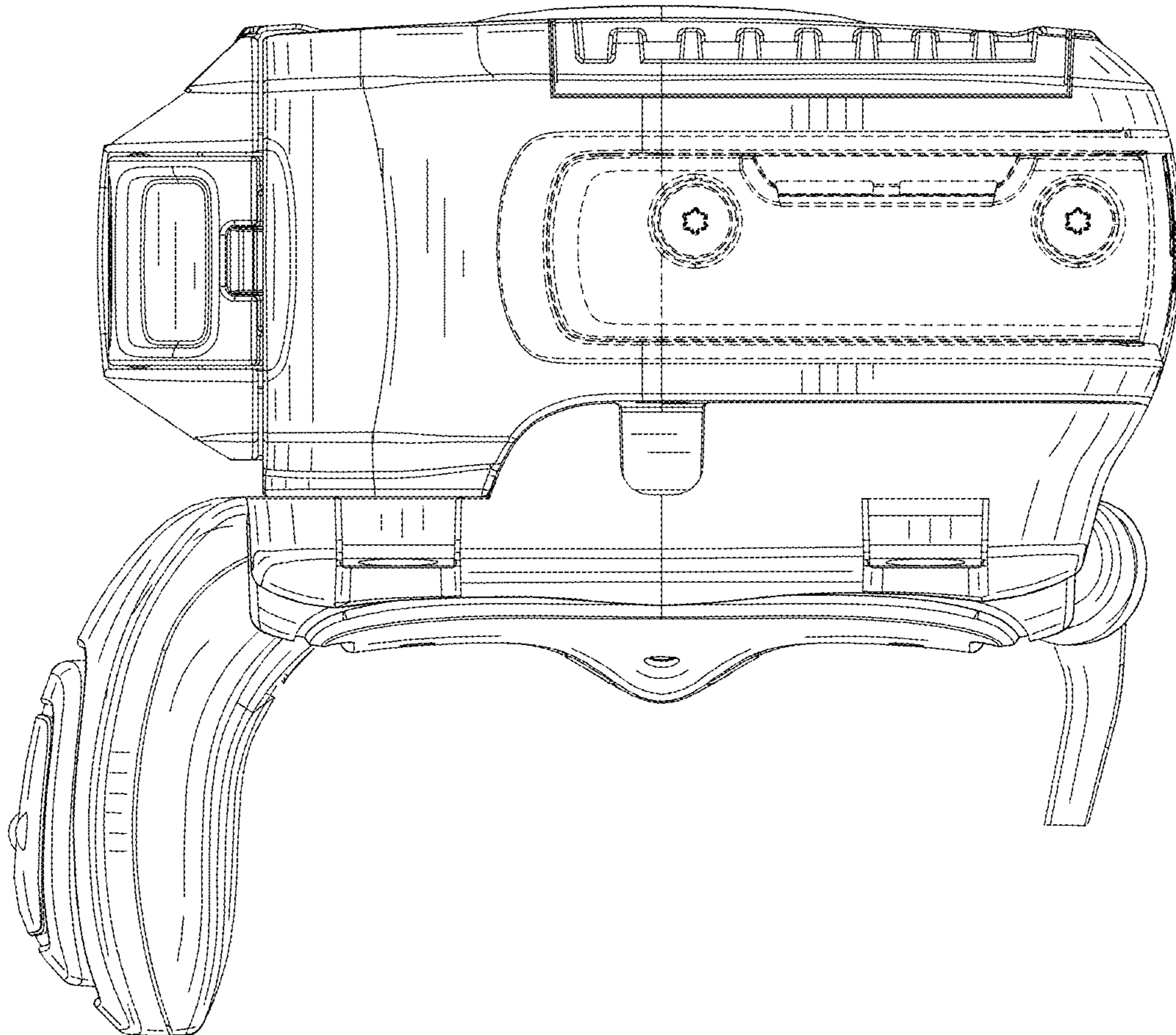


FIG. 10