



US00D833432S

(12) **United States Design Patent**  
**Lin et al.**

(10) **Patent No.:** **US D833,432 S**

(45) **Date of Patent:** **\*\* Nov. 13, 2018**

(54) **VIRTUAL REALITY DISPLAY DEVICE**

(71) Applicant: **Acer Incorporated**, New Taipei (TW)

(72) Inventors: **Li Lin**, New Taipei (TW); **Ker-Wei Lin**, New Taipei (TW); **Chun-Ta Chen**, New Taipei (TW); **Chun-Yu Chen**, New Taipei (TW); **Chih-Kai Tu**, New Taipei (TW); **Hui-Ping Sun**, New Taipei (TW)

(73) Assignee: **STARBREEZE IP LUX II S.À.R.L.**, Luxembourg (LU)

(\*\*) Term: **15 Years**

(21) Appl. No.: **29/613,751**

(22) Filed: **Aug. 14, 2017**

(30) **Foreign Application Priority Data**

Jun. 22, 2017 (TW) ..... 106303523

(51) **LOC (11) Cl.** ..... **14-02**

(52) **U.S. Cl.**  
USPC ..... **D14/372**

(58) **Field of Classification Search**  
USPC ..... D14/372, 496, 432, 371, 125, 126, 129, D14/299; D16/300-342; 351/158, 153, 351/144; 345/7-9, 905; 455/344; 348/115, 53, 121, 739  
CPC ..... G02B 27/017; G02B 27/0158; G02B 27/0161; G02B 27/0181; G02B 27/0185; G02B 27/0189

See application file for complete search history.

(56) **References Cited**

**U.S. PATENT DOCUMENTS**

8,400,371 B2 3/2013 Kato et al.  
9,197,840 B2 11/2015 Yamamoto et al.  
D800,115 S \* 10/2017 Li ..... D14/372  
D800,117 S \* 10/2017 Yee ..... D14/372

D800,726 S \* 10/2017 Su ..... D14/372  
D806,075 S \* 12/2017 Chen ..... D14/372  
D806,710 S \* 1/2018 Chen ..... D14/372  
D807,356 S \* 1/2018 Chou ..... D14/372  
D807,357 S \* 1/2018 Wu ..... D14/372  
D807,358 S \* 1/2018 Huang ..... D14/372  
D810,081 S \* 2/2018 Lin ..... D14/372  
D810,743 S \* 2/2018 Yee ..... D14/372  
D812,612 S \* 3/2018 Gribetz ..... D14/372  
D813,233 S \* 3/2018 Lee ..... D14/372  
D815,637 S \* 4/2018 Li ..... D14/372

**FOREIGN PATENT DOCUMENTS**

CN 104808341 7/2015  
TW M451011 4/2013  
TW M532604 11/2016  
TW D181462 2/2017

\* cited by examiner

*Primary Examiner* — Austin Murphy

(74) *Attorney, Agent, or Firm* — JCIPRNET

(57) **CLAIM**

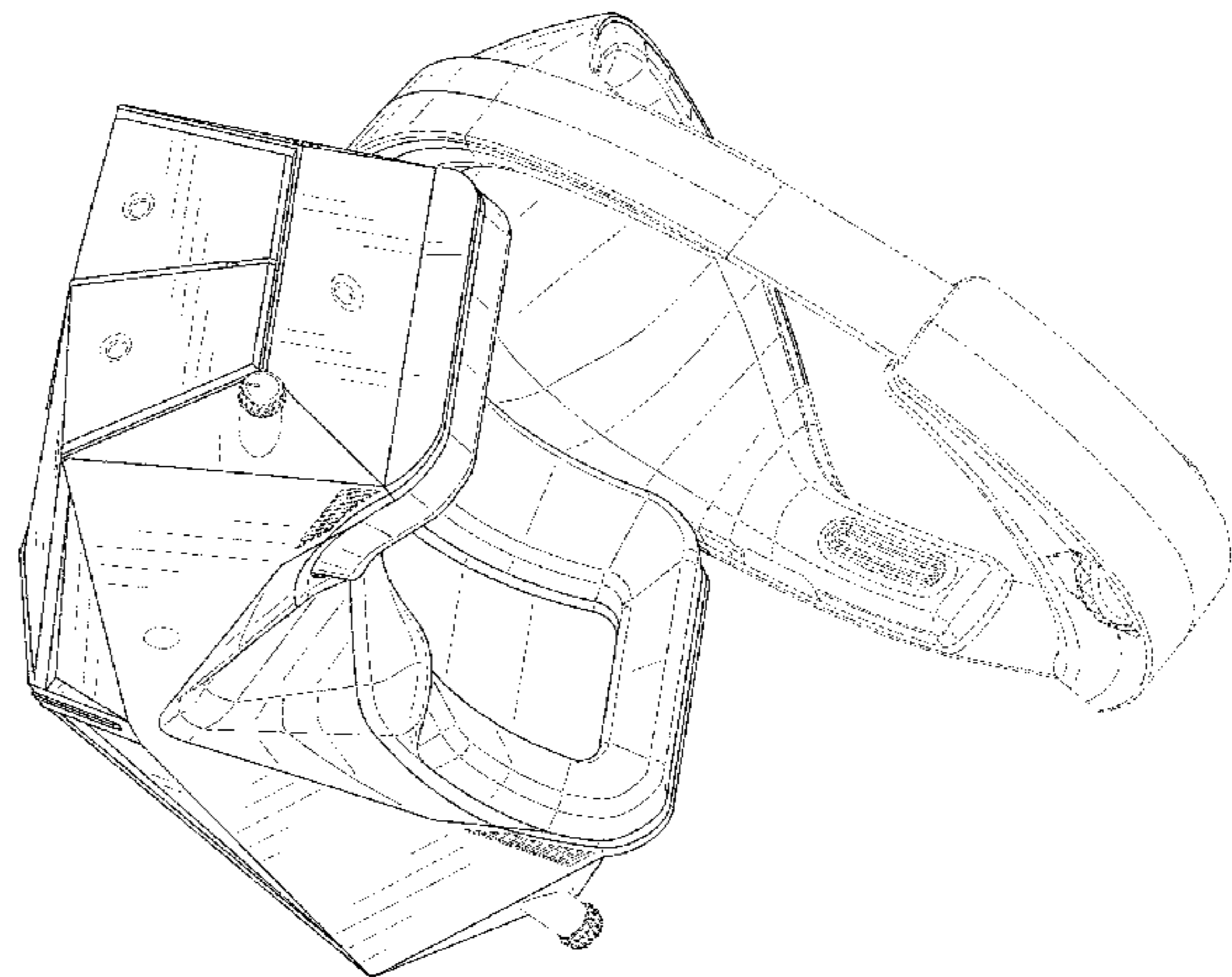
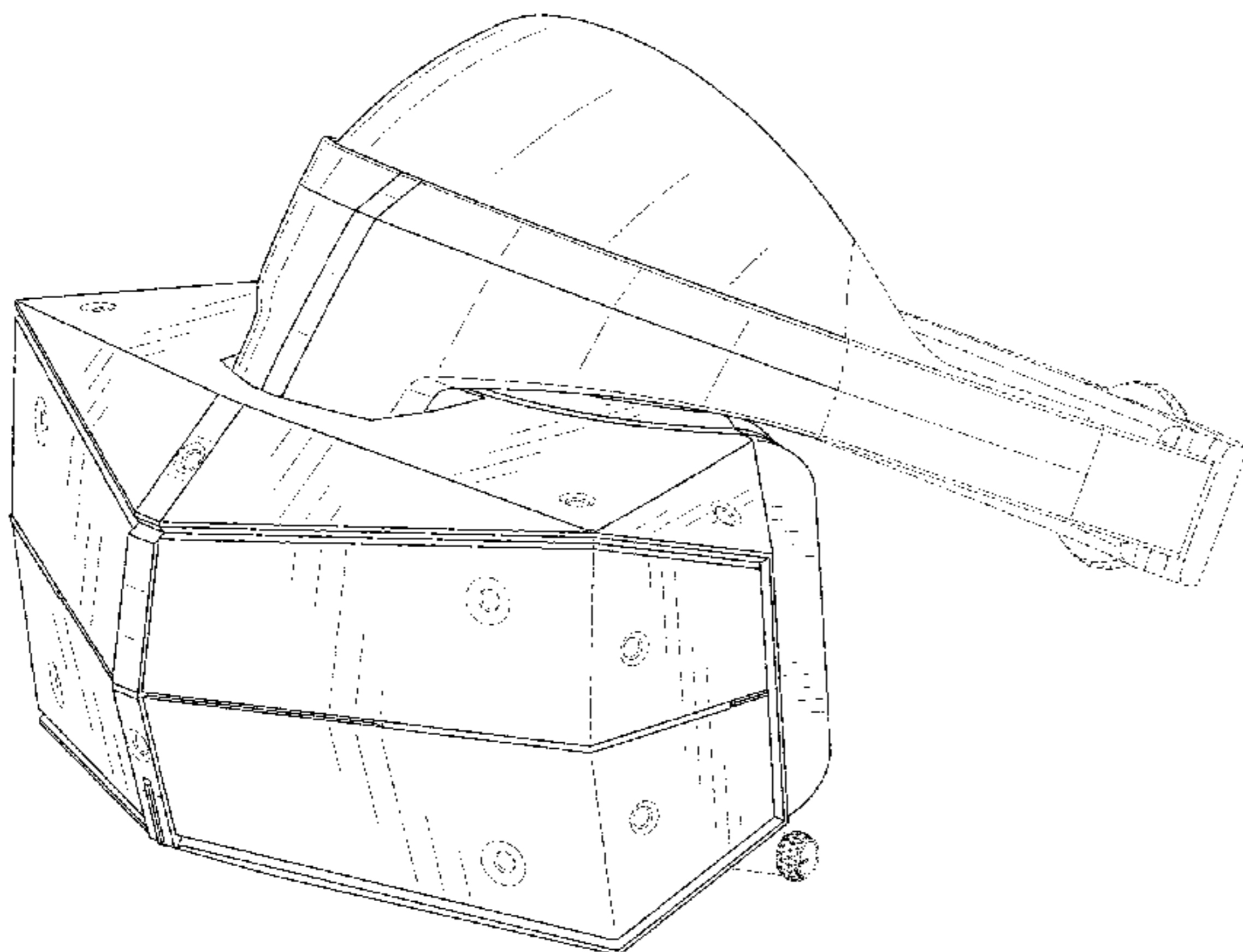
The ornamental design for a virtual reality display device, as shown and described.

**DESCRIPTION**

FIG. 1 is a perspective view of a virtual reality display device showing our new design; FIG. 2 is another perspective view thereof; FIG. 3 is another perspective view thereof; FIG. 4 is a front view thereof; FIG. 5 is a rear view thereof; FIG. 6 is a left side view thereof; FIG. 7 is a right side view thereof; FIG. 8 is a top view thereof; and, FIG. 9 is a bottom view thereof.

The broken line portions of the virtual reality display device in FIGS. 1-9 represent unclaimed portions of the claimed design and form no part thereof.

**1 Claim, 9 Drawing Sheets**



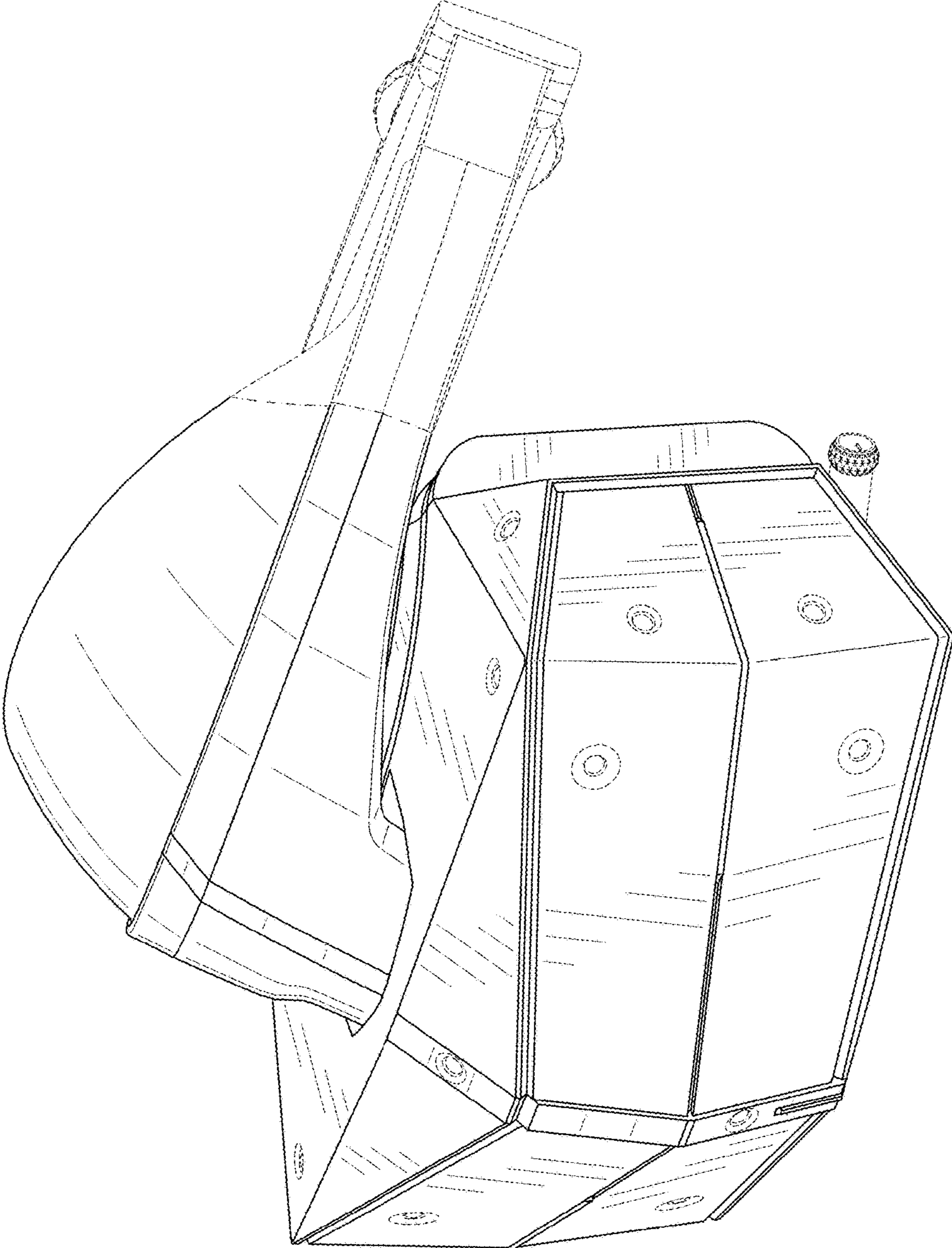


FIG. 1



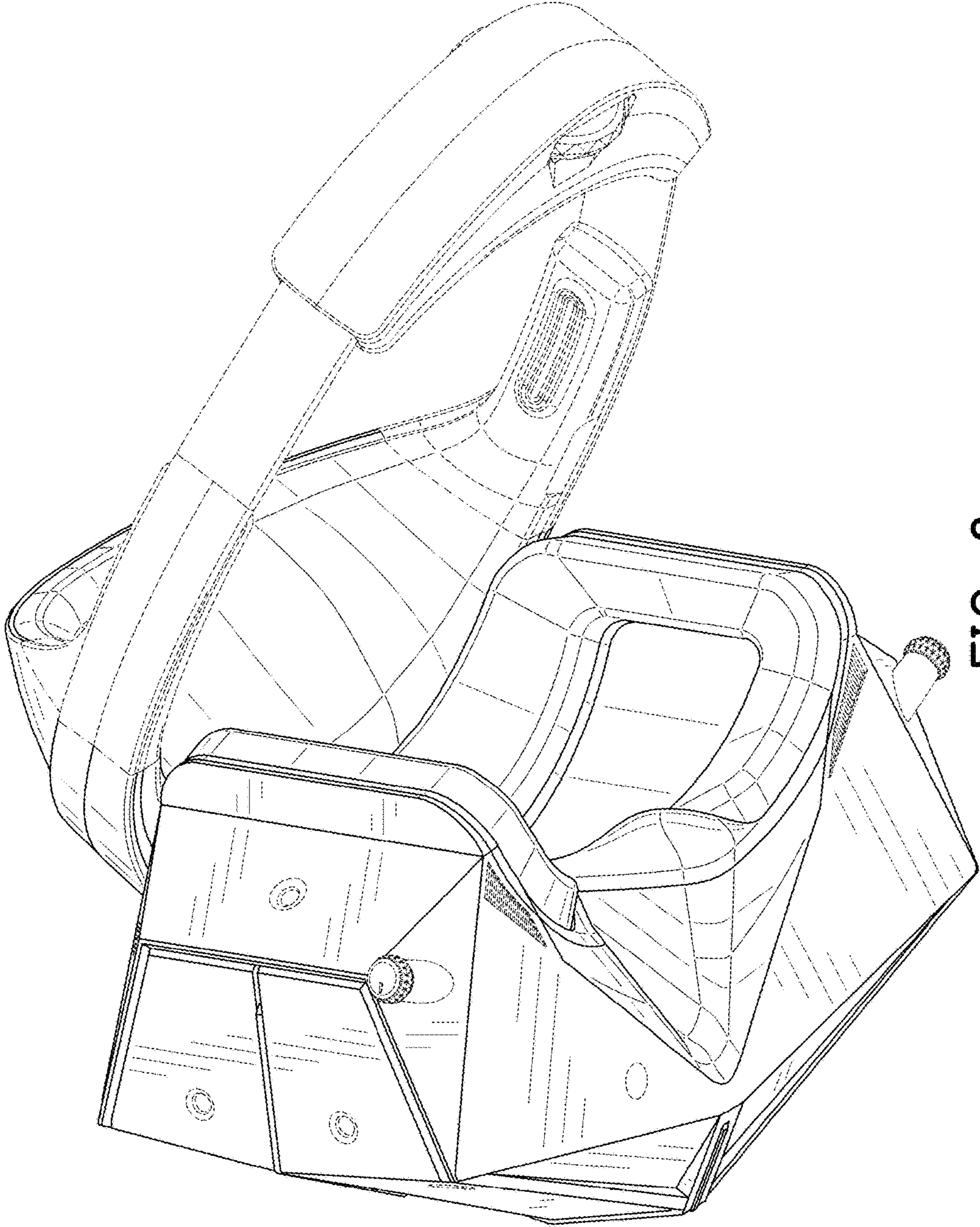


FIG. 2

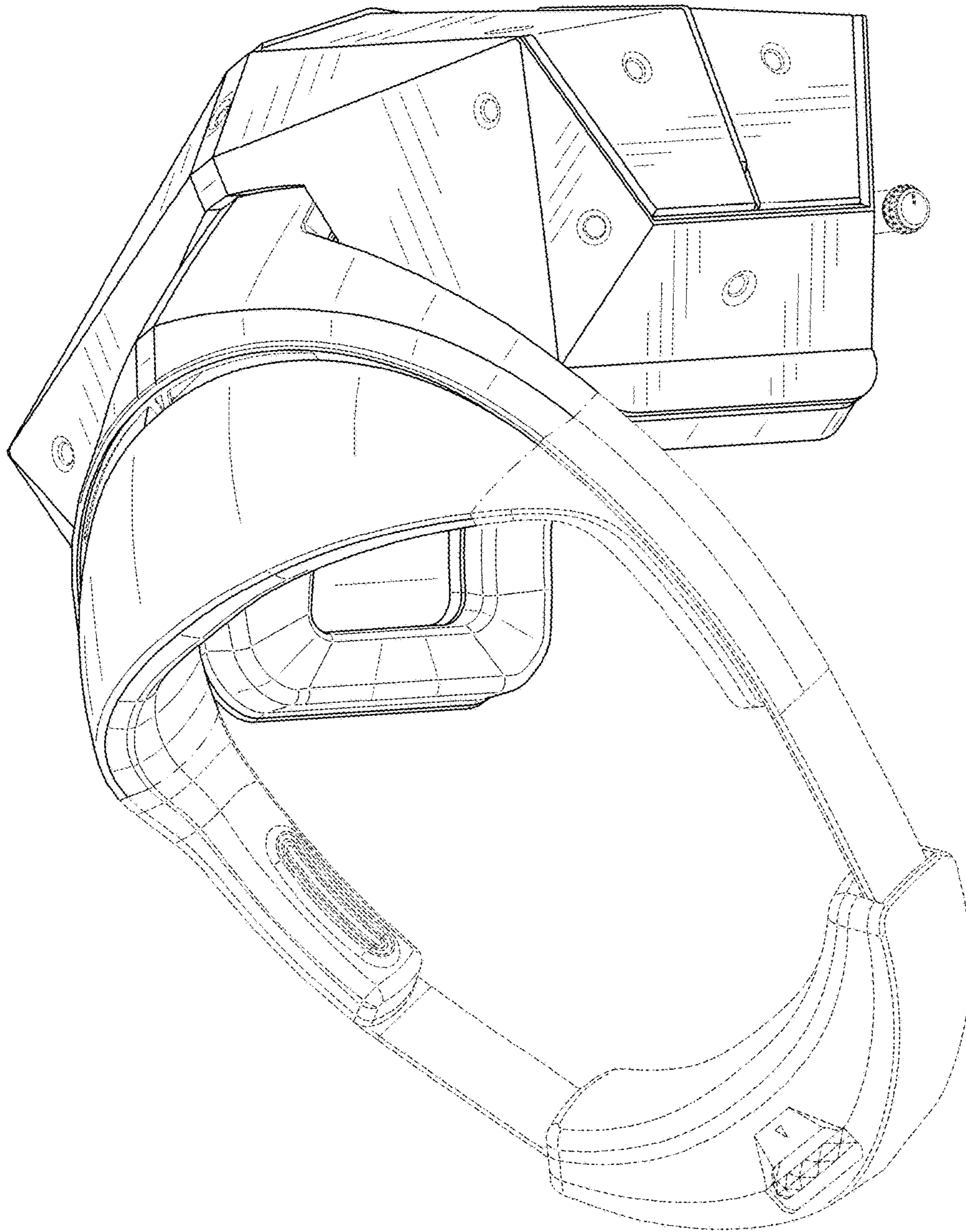


FIG. 3

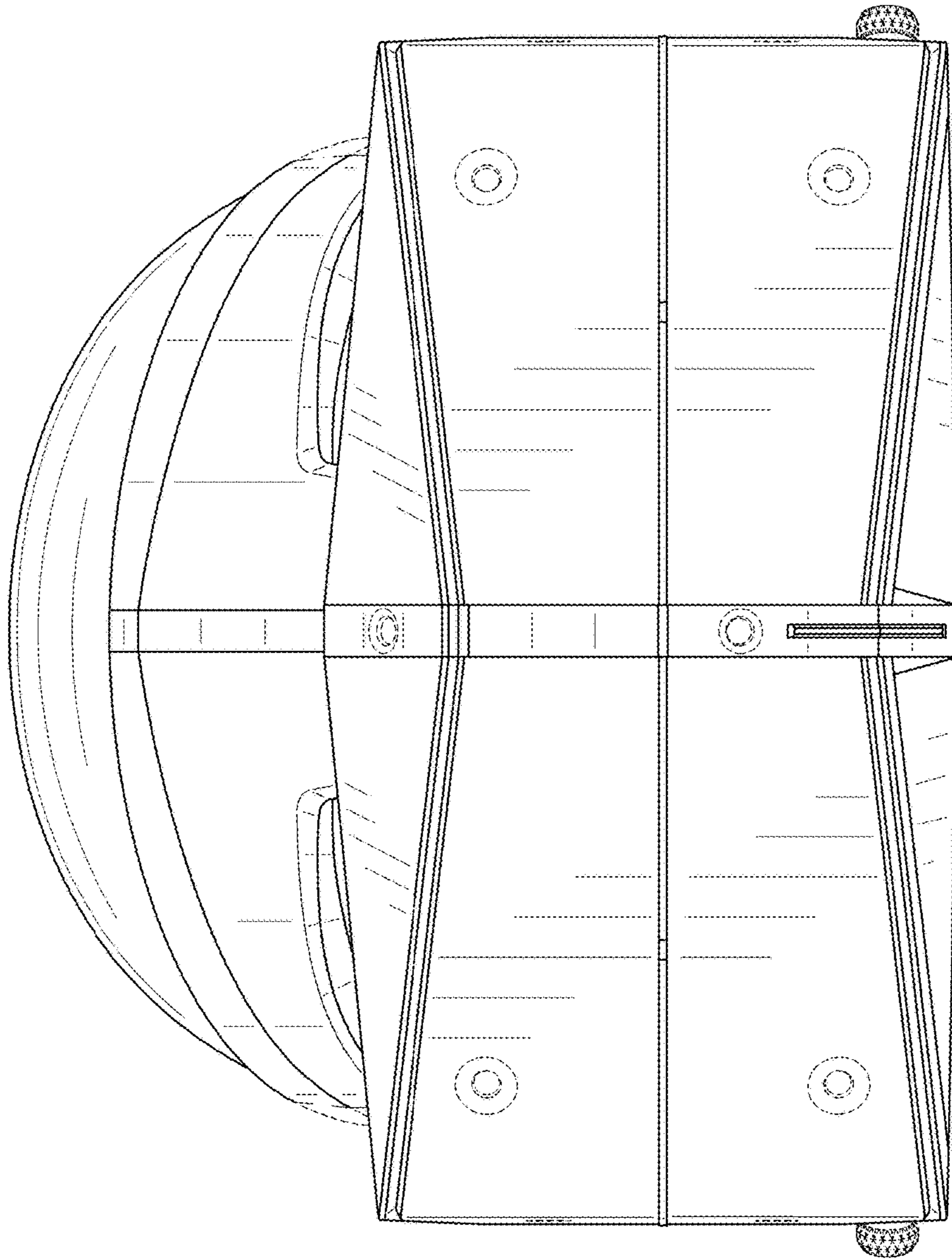


FIG. 4



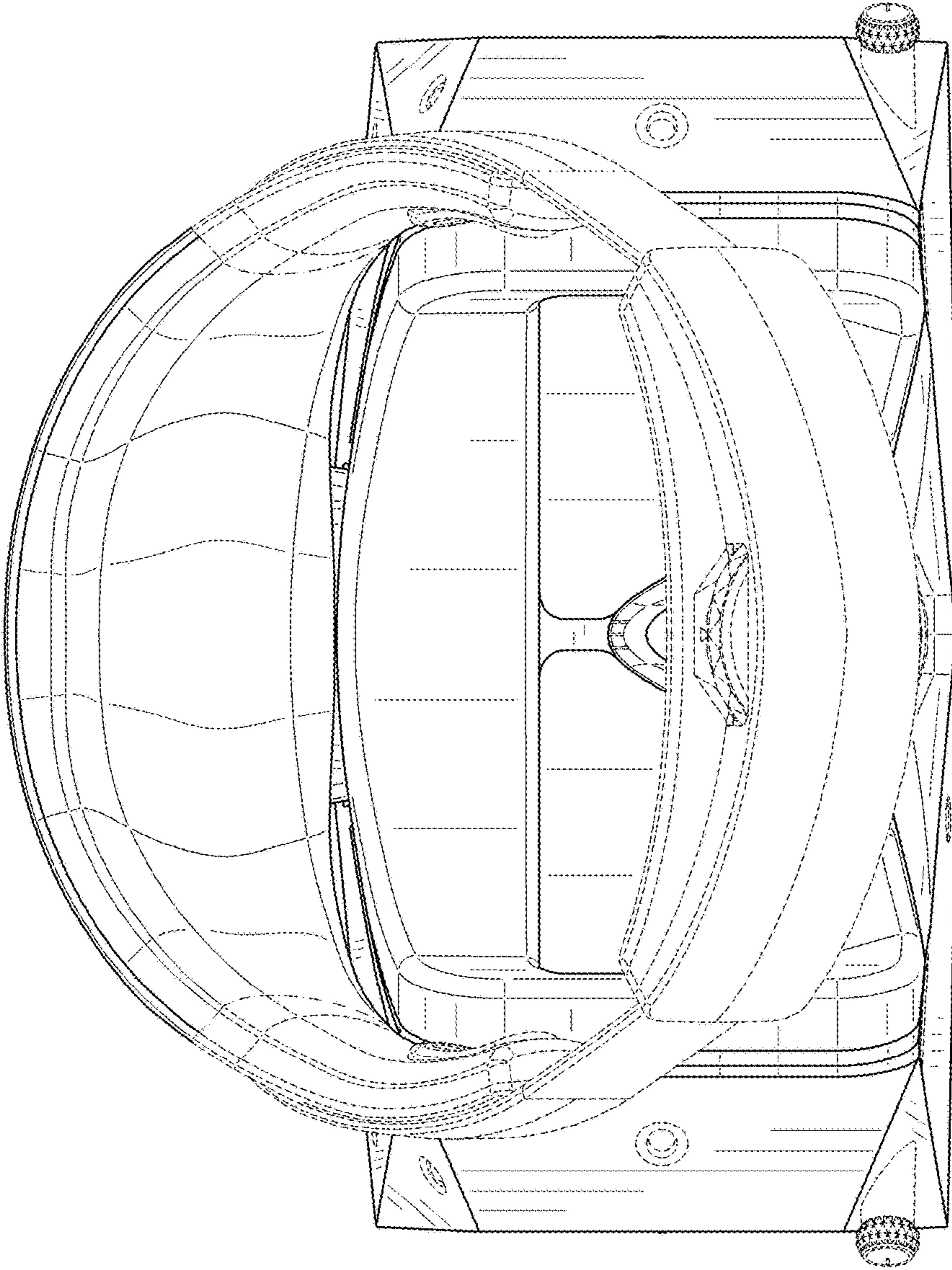


FIG. 5

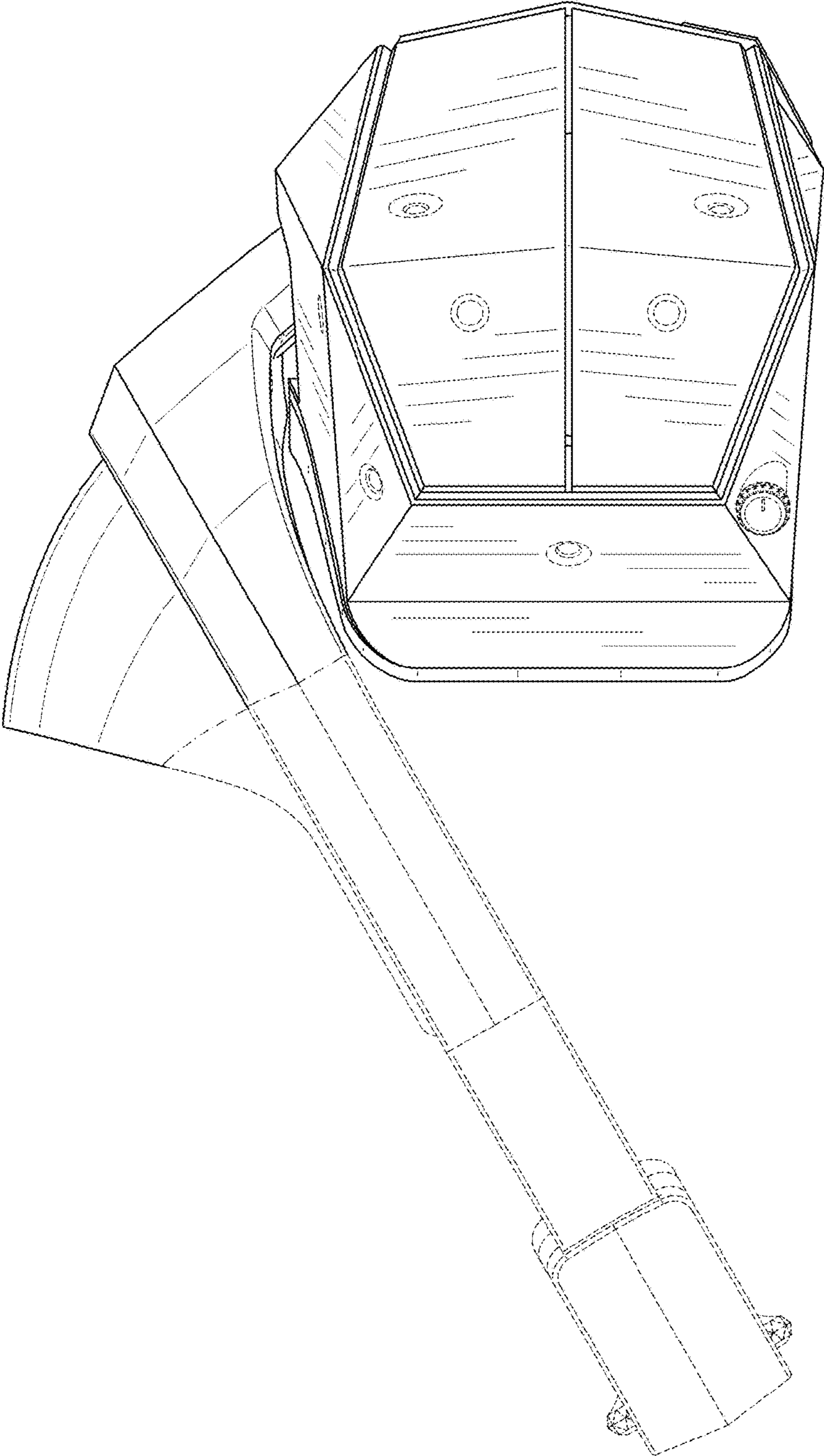


FIG. 6

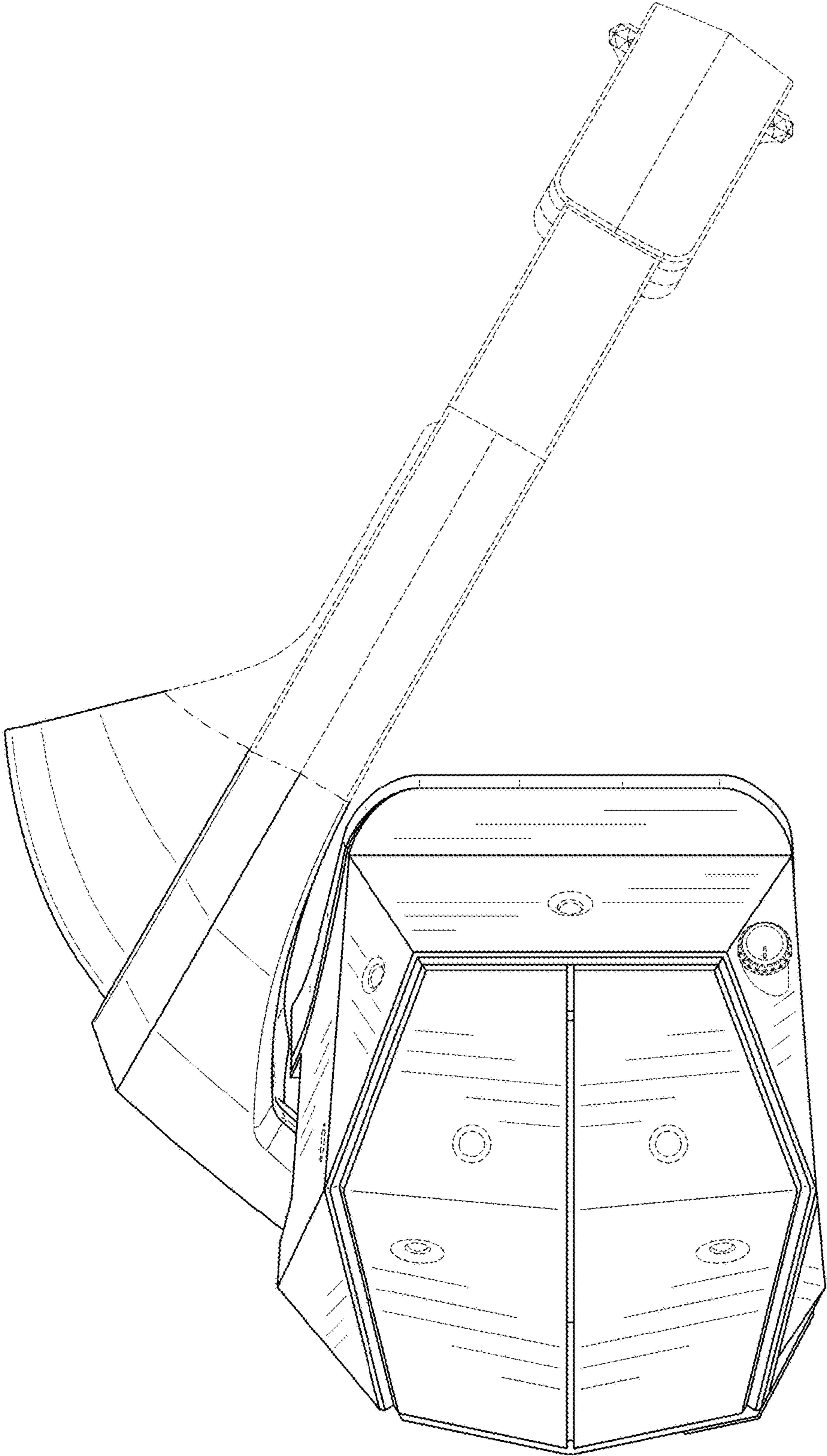


FIG. 7



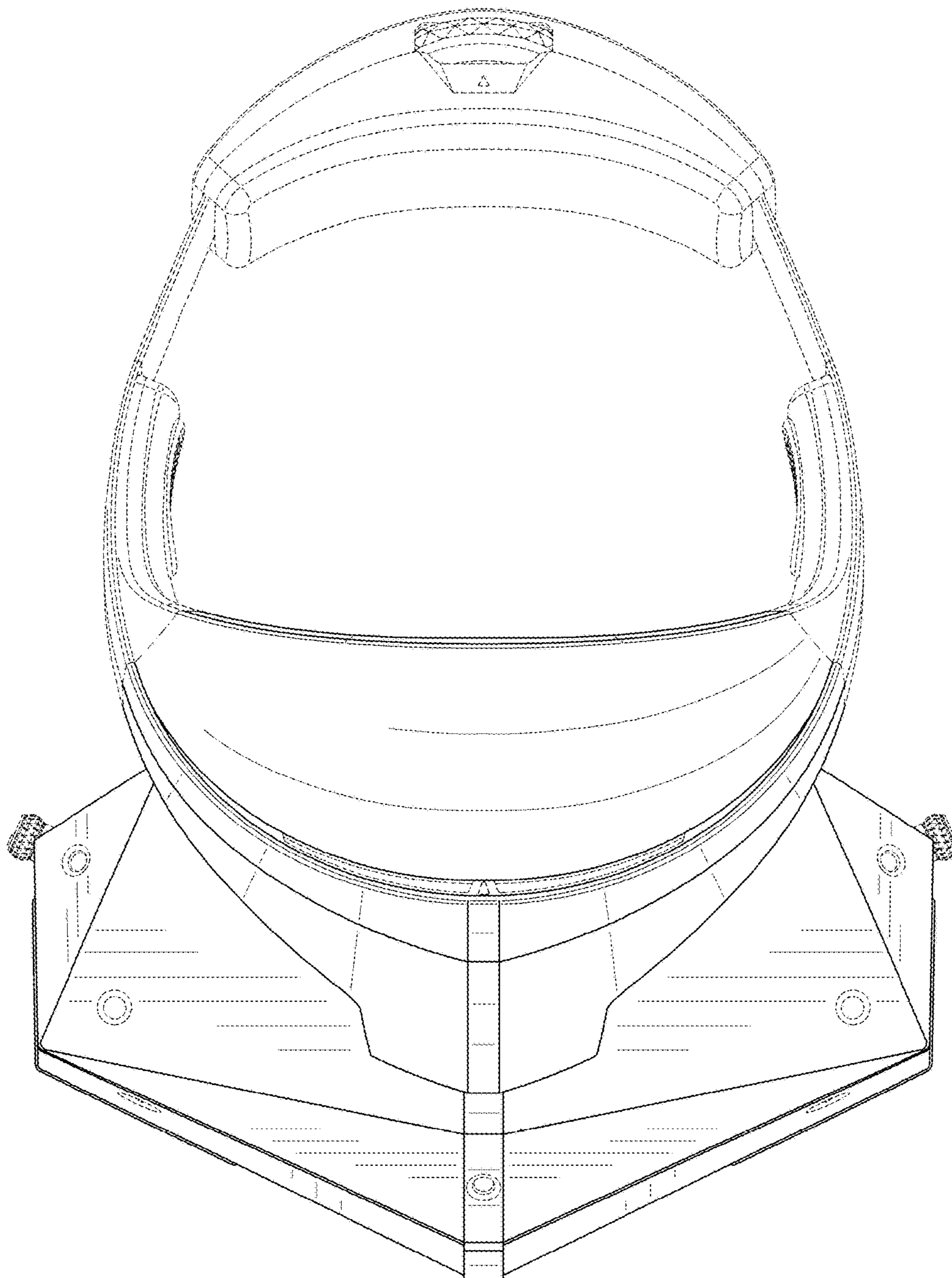


FIG. 8

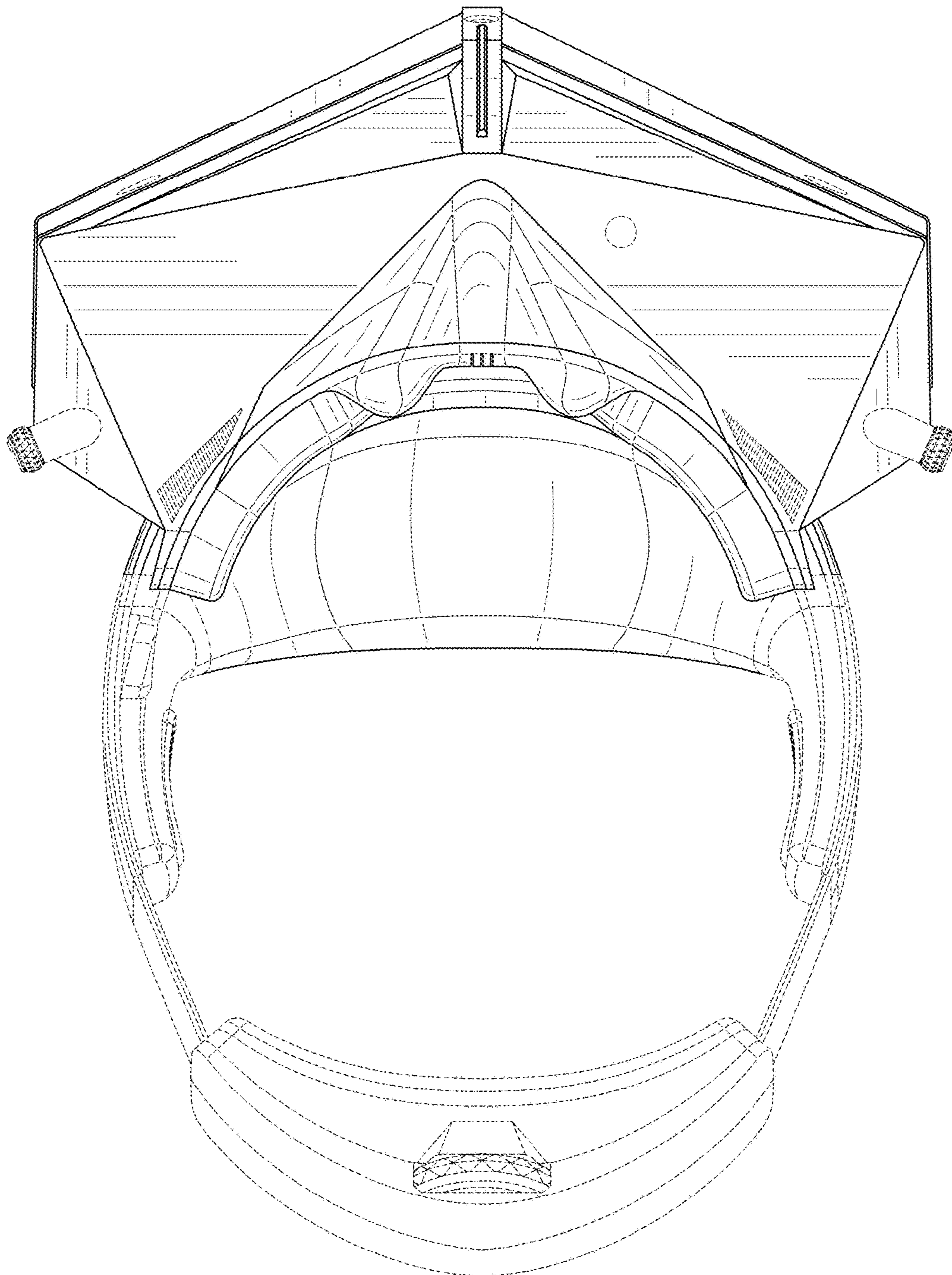


FIG. 9