



US00D833431S

(12) **United States Design Patent**
Bae et al.

(10) **Patent No.:** **US D833,431 S**
(45) **Date of Patent:** **** Nov. 13, 2018**

(54) **ELECTRONIC DEVICE**

- (71) Applicant: **SAMSUNG ELECTRONICS CO., LTD.**, Suwon-si (KR)
- (72) Inventors: **Junwon Bae**, Yongin-si (KR); **Deokyeol Lee**, Seoul (KR); **Jonghyuk Park**, Seoul (KR); **Euiju Lee**, Guri-si (KR)
- (73) Assignee: **Samsung Electronics Co., Ltd.**, Suwon-si (KR)
- (**) Term: **15 Years**

- (21) Appl. No.: **29/568,429**
- (22) Filed: **Jun. 17, 2016**

(30) **Foreign Application Priority Data**

- Dec. 23, 2015 (KR) 30-2015-0065720
- Dec. 23, 2015 (KR) 30-2015-0065721

- (51) **LOC (11) Cl.** **14-02**
- (52) **U.S. Cl.**
USPC **D14/345**

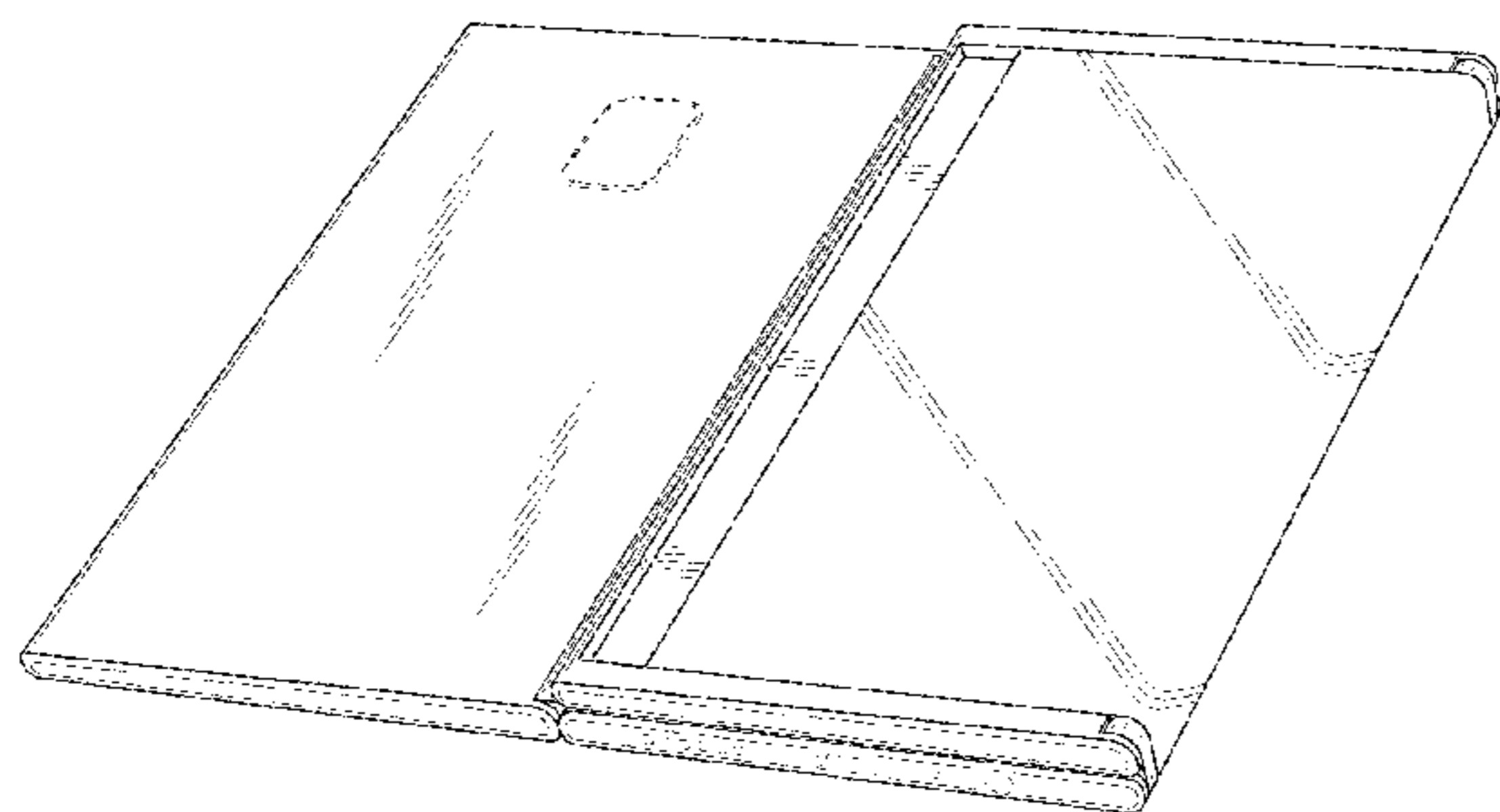
- (58) **Field of Classification Search**
USPC D14/125–129, 137, 138 AA, 138 AB, D14/138 G, 138 C, 138 R, 154, 159–165, D14/167, 168, 170–172, 188, 192, 194, D14/203.1, 0.3, 0.4, 0.7, 204, 205, 207, D14/214–216, 223, 224, 238.1, 239, 248, D14/250, 251, 253, 308, 317, 331, 336, D14/337, 341–347, 371–377, 388, 389, D14/420, 432, 439, 440, 447, 448, 451, D14/452, 457, 496; D6/308, 310,
(Continued)

(56) **References Cited**

U.S. PATENT DOCUMENTS

- D477,634 S * 7/2003 Malone D19/26
- D651,210 S * 12/2011 Bryant D14/373

(Continued)



OTHER PUBLICATIONS

Samsung's Korean patent shows tri-folding tablet design, announced Jun. 12, 2015 [online], [site visited Jan. 30, 2018]. Available from Internet, URL: <<https://www.slashgear.com/samsungs-korean-patent-shows-tri-folding-tablet-design-12388070/>>.*

(Continued)

Primary Examiner — Barbara Fox

Assistant Examiner — Dana K Weiland

(74) *Attorney, Agent, or Firm* — NSIP Law

(57) **CLAIM**

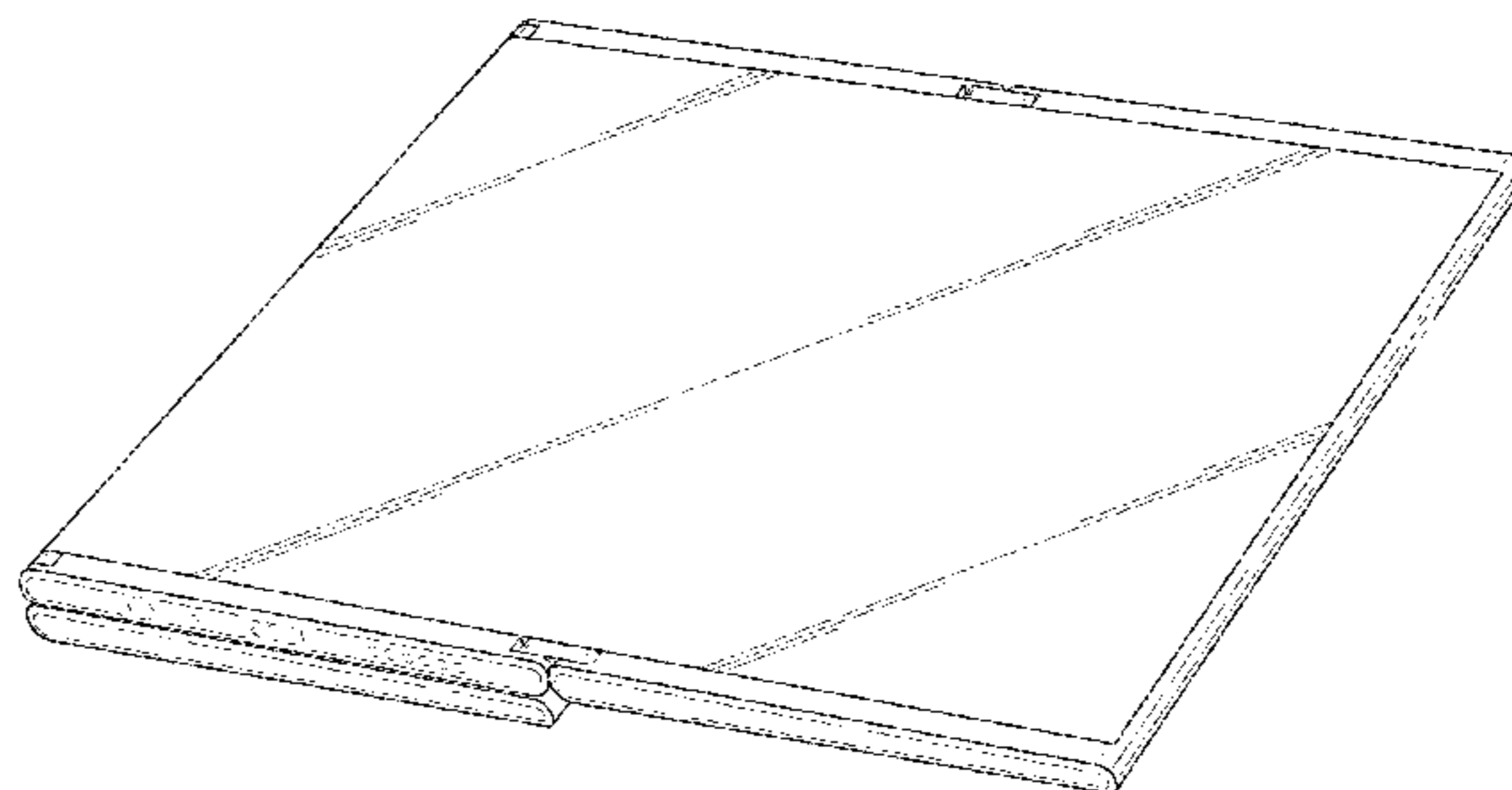
We claim the ornamental design for an electronic device, as shown and described.

DESCRIPTION

FIG. 1 is a front perspective view of an electronic device showing our new design;
 FIG. 2 is a front view thereof;
 FIG. 3 is a rear view thereof;
 FIG. 4 is a left-side view thereof;
 FIG. 5 is a right-side view thereof;
 FIG. 6 is a top view thereof;
 FIG. 7 is a bottom view thereof;
 FIG. 8 is a rear perspective view thereof;
 FIG. 9 is a rear perspective view of the electronic device shown in a completely unfolded position; and,
 FIG. 10 is a top view of the electronic device shown in a completely folded position.

The broken lines shown in the drawings depict portions of the electronic device that form no part of the claimed design. The dot-dash broken lines define boundaries of the claimed design and form no part thereof.

1 Claim, 8 Drawing Sheets



(58) **Field of Classification Search**

USPC D6/406.1–406.6, 601; D10/104.1, 50, 65;
 D21/329–332; D13/108
 CPC G06F 1/1601; G06F 1/1605; G06F 1/162;
 G06F 1/1613; G06F 1/1647; G06F
 1/1641; G06F 1/1616; G06F 1/1652;
 G06F 3/04883; G06F 3/0486; G06F
 3/0487; G06F 3/0484; H04M 1/0214;
 H04R 1/02; H04R 5/00; H04R 9/06;
 G08B 21/0288; G08B 21/02; F16M 11/00
 See application file for complete search history.

2012/0264489 A1* 10/2012 Choi H04M 1/0216
 455/566
 2013/0250492 A1* 9/2013 Wong G06F 1/1641
 361/679.01
 2013/0321340 A1* 12/2013 Seo G06F 1/1641
 345/174
 2014/0347806 A1* 11/2014 Totani G06F 1/1647
 361/679.27
 2015/0062927 A1* 3/2015 Hirakata H01L 51/0097
 362/362

(56)

References Cited

U.S. PATENT DOCUMENTS

8,896,202 B2* 11/2014 Oh H01L 51/5237
 313/511
 D719,542 S * 12/2014 Lee D14/138 AB
 D741,856 S * 10/2015 Yamazaki D14/341
 D750,036 S * 2/2016 Endo D14/126
 D750,064 S * 2/2016 Yamazaki D14/341
 D760,219 S * 6/2016 Yamazaki D14/341
 9,377,817 B2* 6/2016 Eguchi G06F 1/1652
 D761,254 S * 7/2016 Yamazaki D14/341
 D761,789 S * 7/2016 Yamazaki D14/341
 9,430,184 B2* 8/2016 Cho G06F 1/1652
 D768,624 S * 10/2016 Bae D14/331
 D770,447 S * 11/2016 Endo D14/341
 D772,225 S * 11/2016 Kim D14/341
 D784,945 S * 4/2017 Choo D14/138 AB
 D789,925 S * 6/2017 Browning D14/341
 D798,257 S * 9/2017 Choo D14/138 AB
 D800,112 S * 10/2017 Park D14/345
 2010/0064244 A1* 3/2010 Kilpatrick, II G06F 1/1616
 715/773
 2010/0128423 A1* 5/2010 Moscovitch F16M 11/041
 361/679.01
 2011/0241998 A1* 10/2011 McKinney G06F 1/1616
 345/168

OTHER PUBLICATIONS

Yes, it is possible to fold your tablets!, announced Jun. 24, 2014 [online], [site visited Jan. 30, 2018]. Available from Internet, URL: <<https://vulcanpost.com/11843/yes-possible-fold-tablets/>>.*
 Revolutionary Foldable Smartphone Shows Shape-Shifting Future for Google Maps, announced Apr. 27, 2014 [online], [site visited Jan. 30, 2018]. Available from Internet, URL: <<http://www.hml.queensu.ca/blog/paperfold>>.*
 A Closer Look At Lenovo's Flexible Display Wrist Phone and Foldable Tablet, announced Jun. 10, 2016 [online], [site visited Jan. 30, 2018]. Available from Internet, URL: <<http://www.androidpolice.com/2016/06/10/a-closer-look-at-lenovos-flexible-display-wrist-phone-and-tablet/>>.*
 Samsung's foldable phone could transform into a 7-inch tablet, announced Jan. 11, 2017 [online], [site visited Jan. 30, 2018]. Available from Internet, URL: <<https://mashable.com/2017/01/11/samsung-foldable-phone-transforms-into-tablet/#HKF1SO0r35qK>>.*
 Samsung Flexible/Foldable Smartphone 2017, announced Jan. 12, 2017 [online], [site visited Jan. 30, 2018]. Available from Internet, URL: <https://www.youtube.com/watch?v=Vun_yohGiMU>.*
 Samsung smartphone met drie displays, announced Dec. 29, 2017 [online], [site visited Jan. 30, 2018]. Available from Internet, URL: <<https://nl.letsgodigital.org/smartphones/samsung-smartphone/>>.*

* cited by examiner

FIG. 1

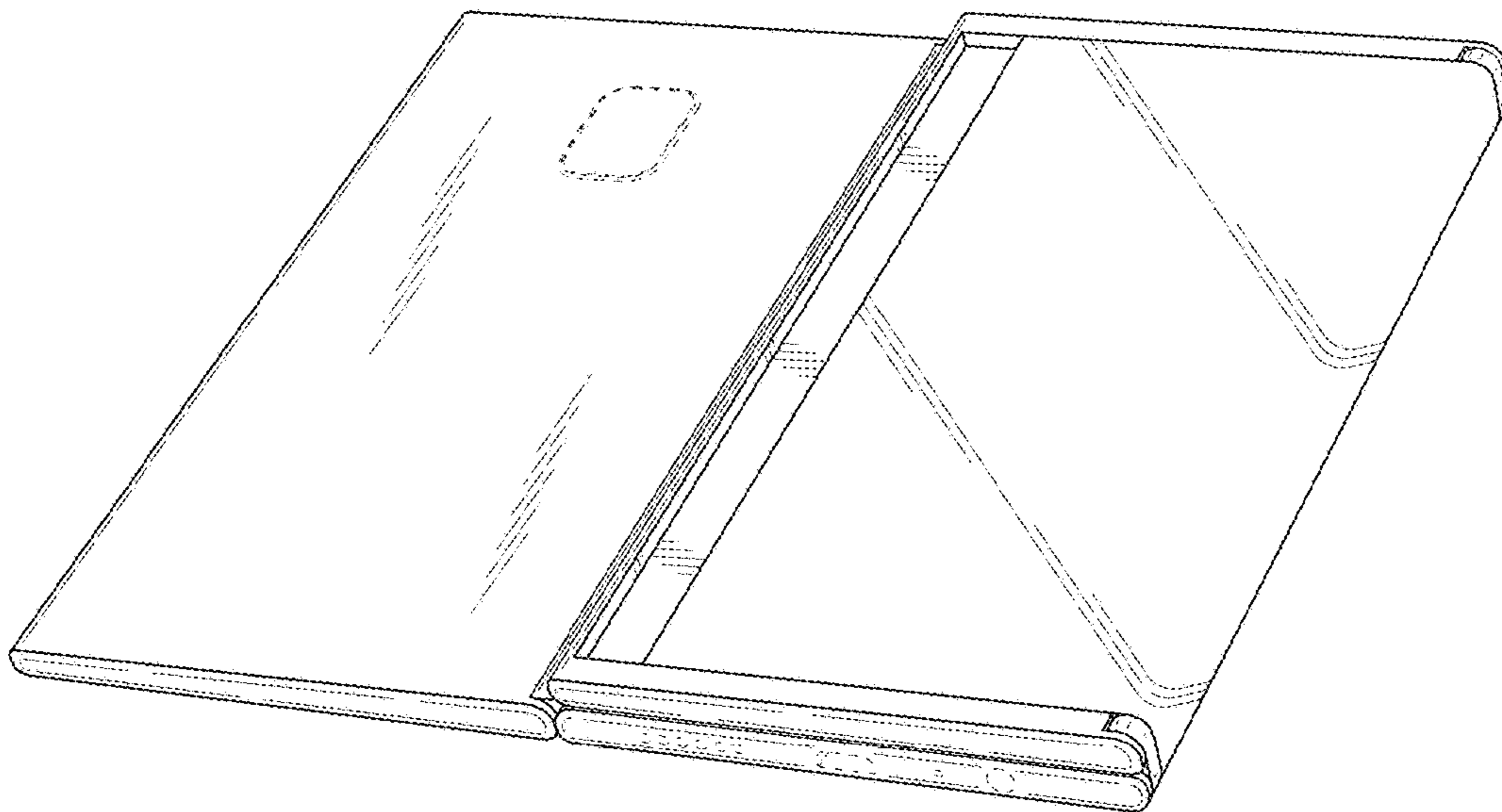


FIG.2

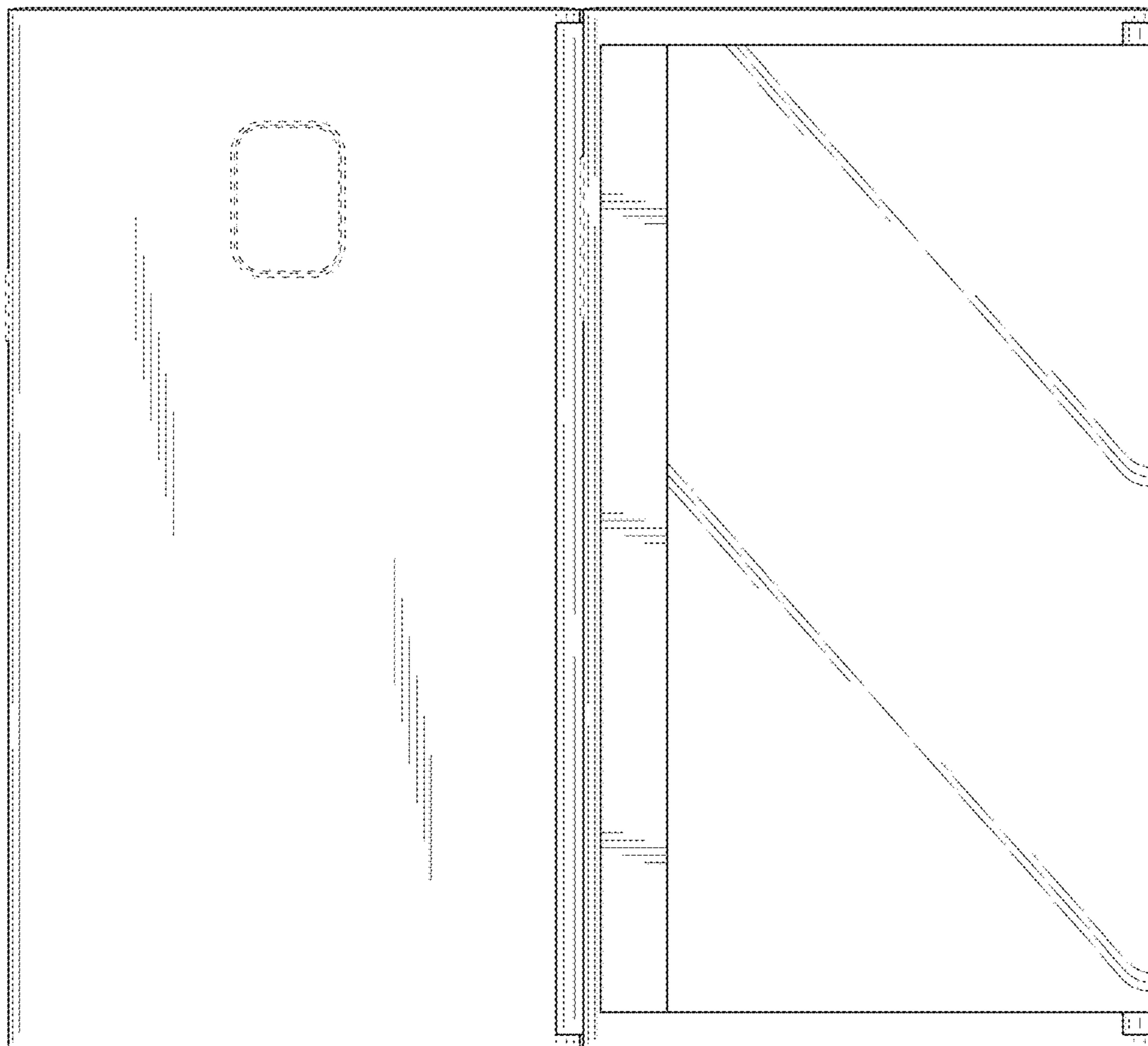


FIG.3

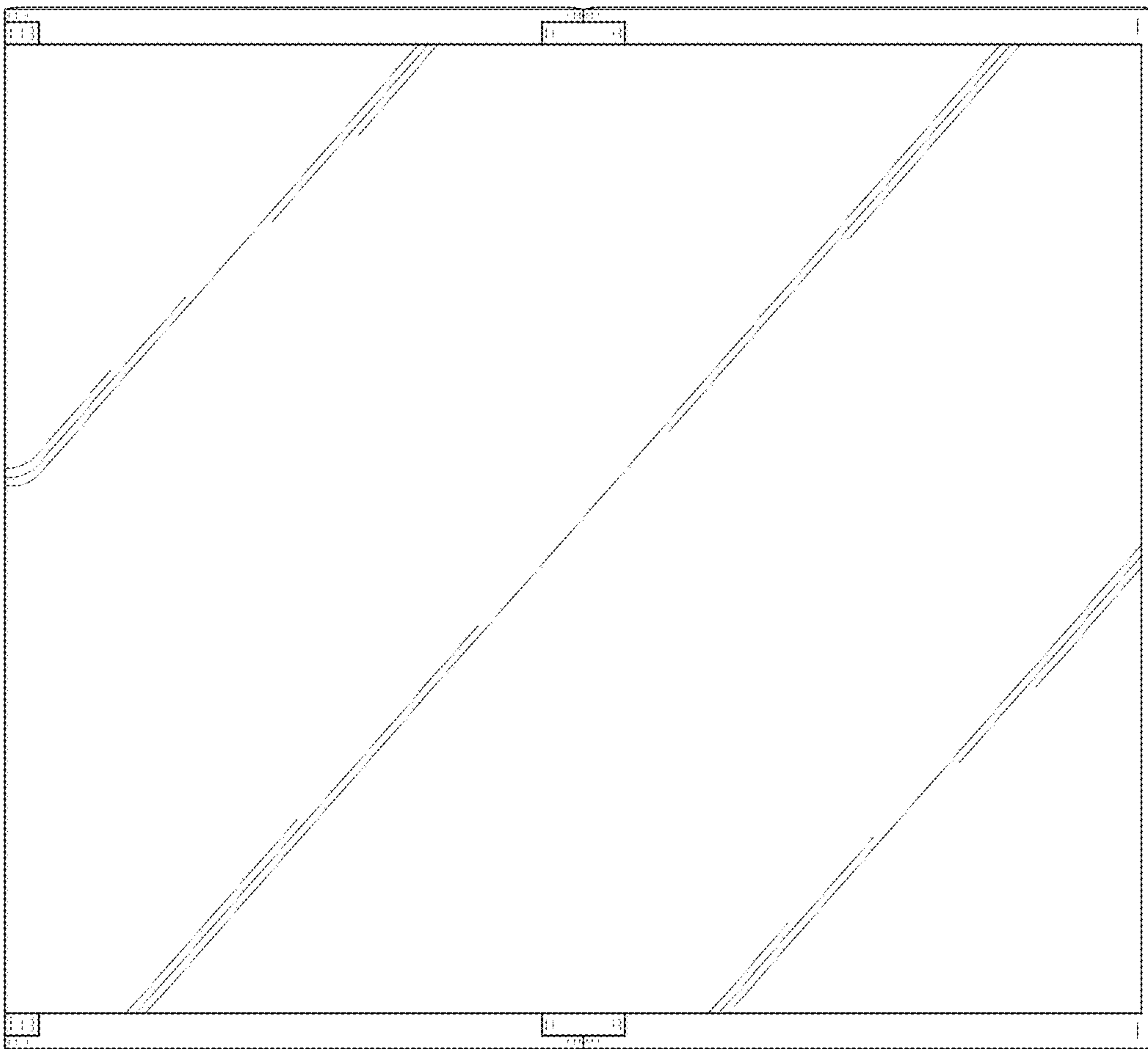


FIG.4

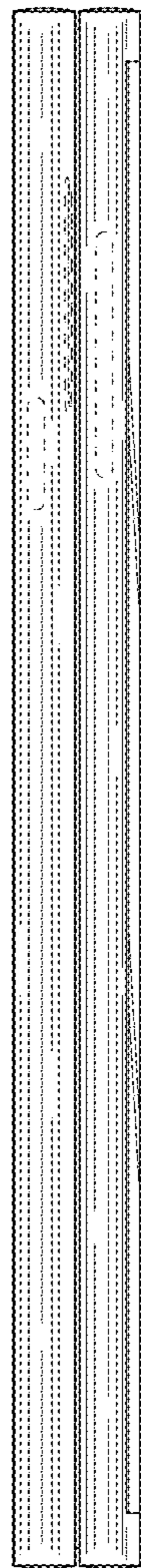


FIG.5



FIG.6

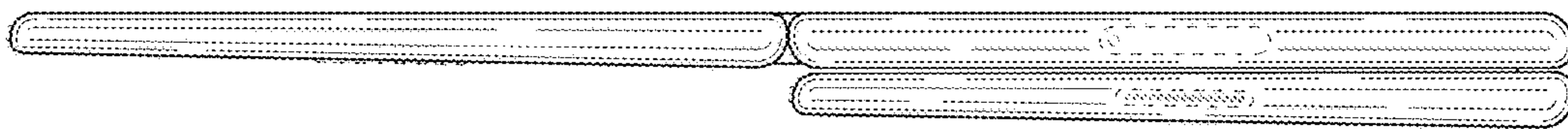


FIG.7



FIG.8

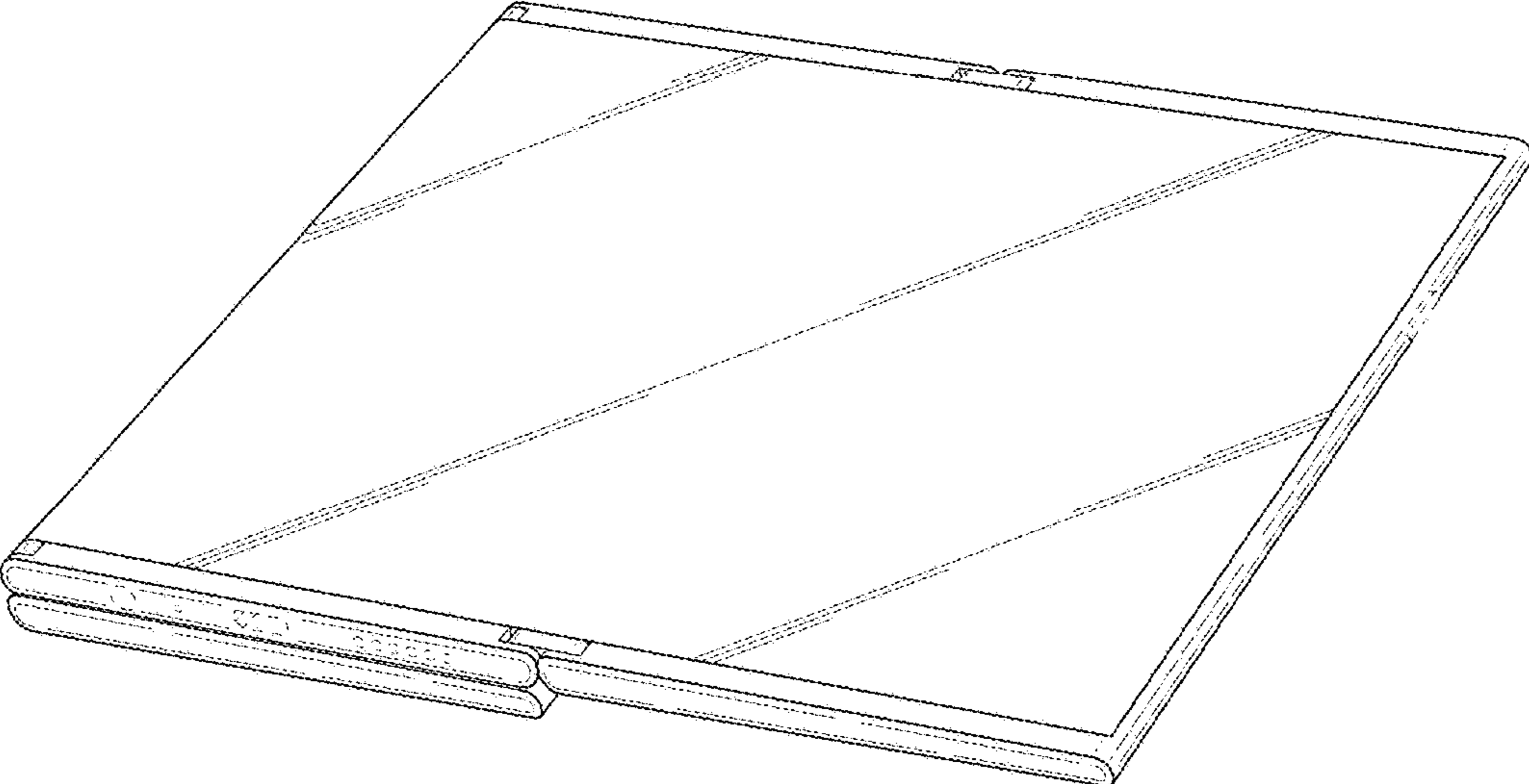


FIG.9

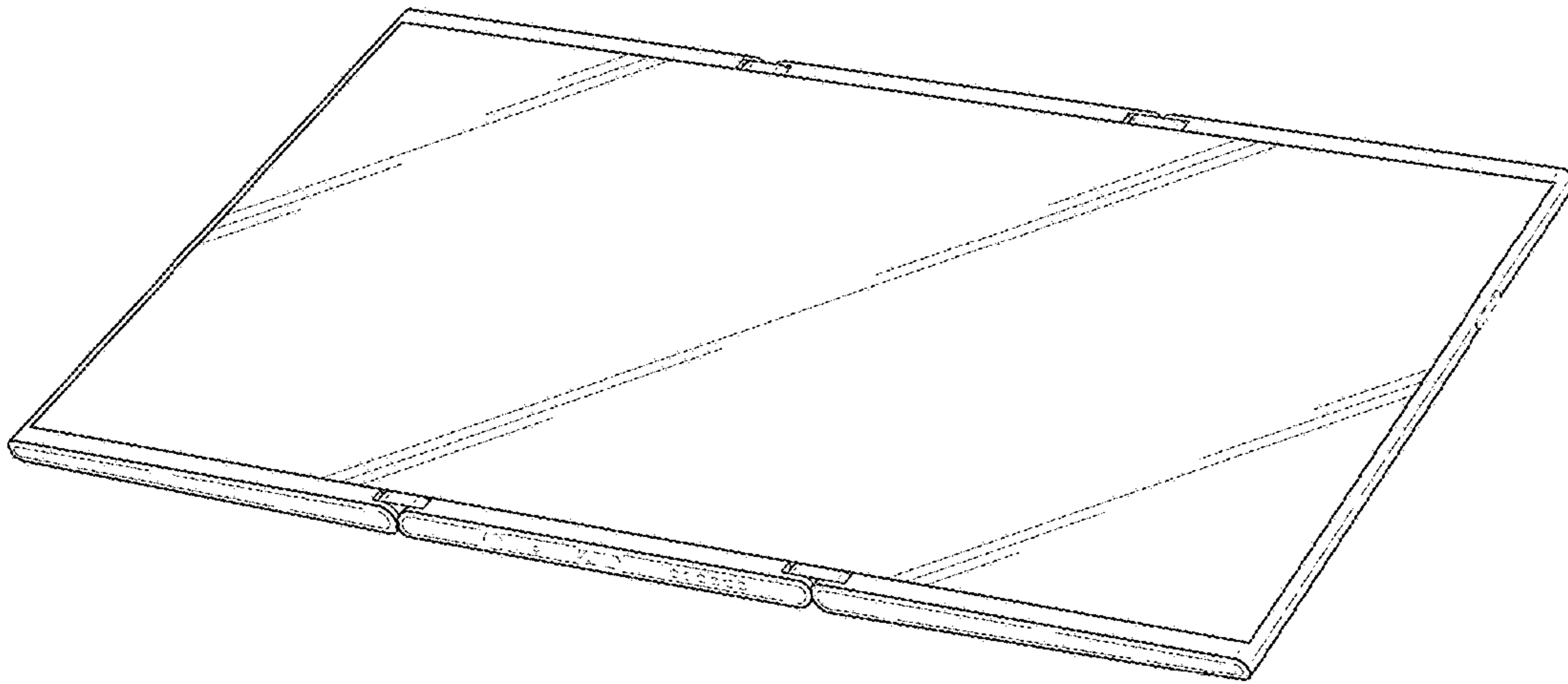


FIG. 10

