



US00D833429S

(12) **United States Design Patent**
Groene et al.

(10) **Patent No.:** **US D833,429 S**

(45) **Date of Patent:** **** Nov. 13, 2018**

(54) **ELECTRONIC TABLET AND INPUT DEVICE FOR AN ELECTRONIC TABLET**

(71) Applicant: **Microsoft Corporation**, Redmond, WA (US)

(72) Inventors: **Ralf Groene**, Kirkland, WA (US); **Dan O'Neil**, Sammamish, WA (US); **Kaitlyn Schoeck**, Seattle, WA (US); **Hua Wang**, Sammamish, WA (US); **Kate Bailey**, Seattle, WA (US); **Karsten Aagaard**, Monroe, WA (US); **Eric Witt**, Redmond, WA (US)

(73) Assignee: **Microsoft Corporation**, Redmond, WA (US)

(**) Term: **15 Years**

(21) Appl. No.: **29/541,026**

(22) Filed: **Sep. 30, 2015**

(51) **LOC (11) Cl.** **14-02**

(52) **U.S. Cl.**
USPC **D14/341**

(58) **Field of Classification Search**
USPC D14/341-347, 137, 138 R, 138 AA, D14/138 C, 138 G, 496, 203.1, 203.3,
(Continued)

(56) **References Cited**

U.S. PATENT DOCUMENTS

D678,272 S * 3/2013 Groene D14/341
D678,277 S * 3/2013 Groene D14/391
(Continued)

FOREIGN PATENT DOCUMENTS

JP 1459391 12/2012
KR 300710230 9/2013

Primary Examiner — Katie Jane Stofko

(74) *Attorney, Agent, or Firm* — Banner & Witcoff, Ltd.

(57) **CLAIM**

The ornamental design for an electronic tablet and input device for an electronic tablet, as shown and described.

DESCRIPTION

FIG. 1 is a perspective view of an electronic tablet and input device for an electronic tablet showing our new design in a closed state;

FIG. 2 is a top view thereof;

FIG. 3 is a bottom view thereof;

FIG. 4 is a front view thereof;

FIG. 5 is a front view of FIG. 4 disclosing portions thereof;

FIG. 6 is a rear view thereof;

FIG. 7 is a left side view thereof;

FIG. 8 is a left side view of FIG. 7 disclosing portions thereof;

FIG. 9 is a right side view thereof;

FIG. 10 is an enlarged view of the encircled portion in FIG. 5;

FIG. 11 is an enlarged view of the encircled portion in FIG. 8;

FIG. 12 is a perspective view of an electronic tablet and input device for an electronic tablet showing our new design in an opened state;

FIG. 13 is a top view thereof;

FIG. 14 is a bottom view thereof;

FIG. 15 is a front view thereof;

FIG. 16 is a rear view thereof;

FIG. 17 is a left side view thereof;

FIG. 18 is a left side view of FIG. 17 disclosing portions thereof;

FIG. 19 is a right side view thereof;

FIG. 20 is an enlarged view of the encircled portion in FIG. 18;

FIG. 21 is a second embodiment of a perspective view of an electronic tablet and input device for an electronic tablet showing our new design in an open state;

FIG. 22 is a top view thereof;

FIG. 23 is a bottom view thereof;

FIG. 24 is a front view thereof;

FIG. 25 is a rear view thereof;

(Continued)

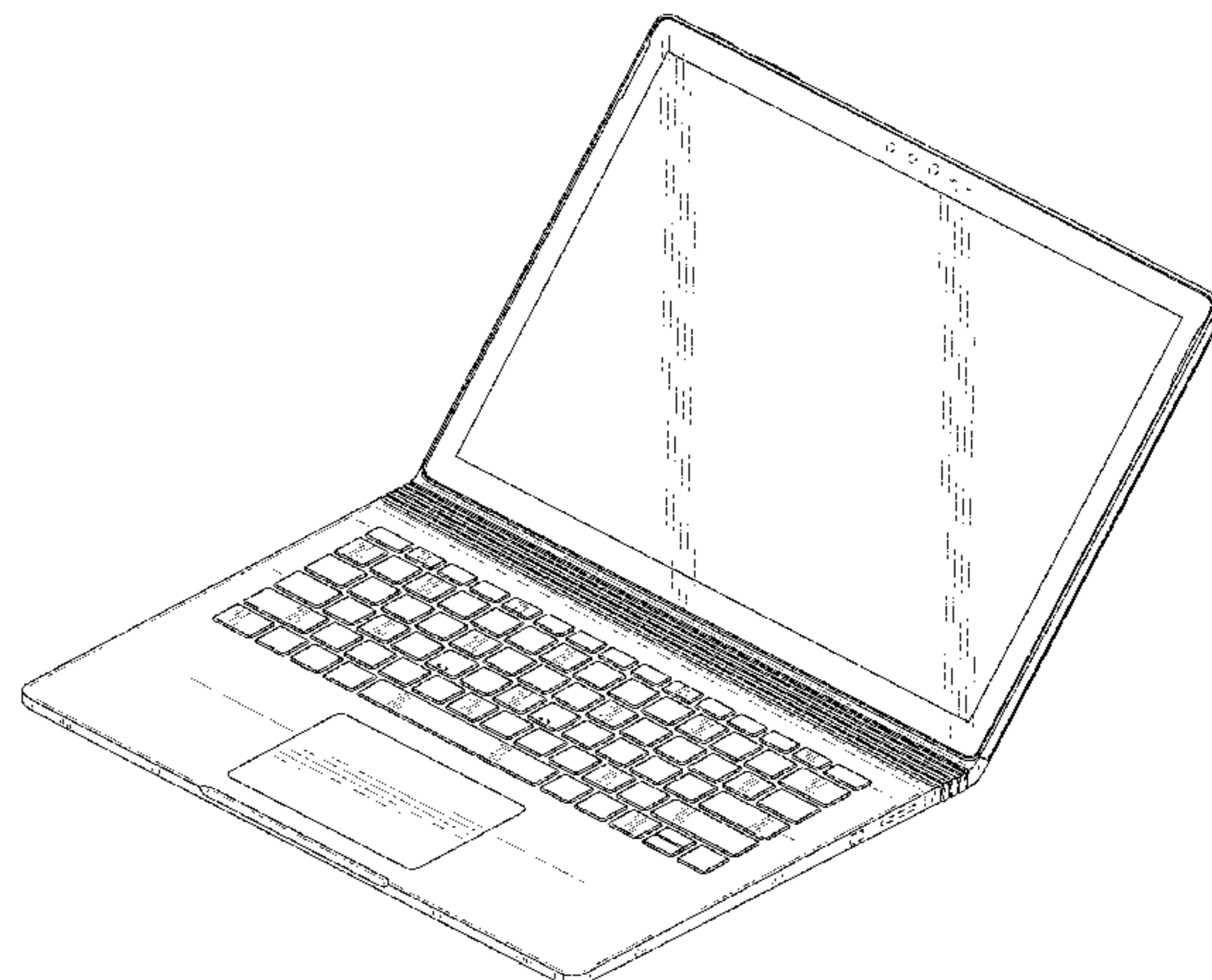
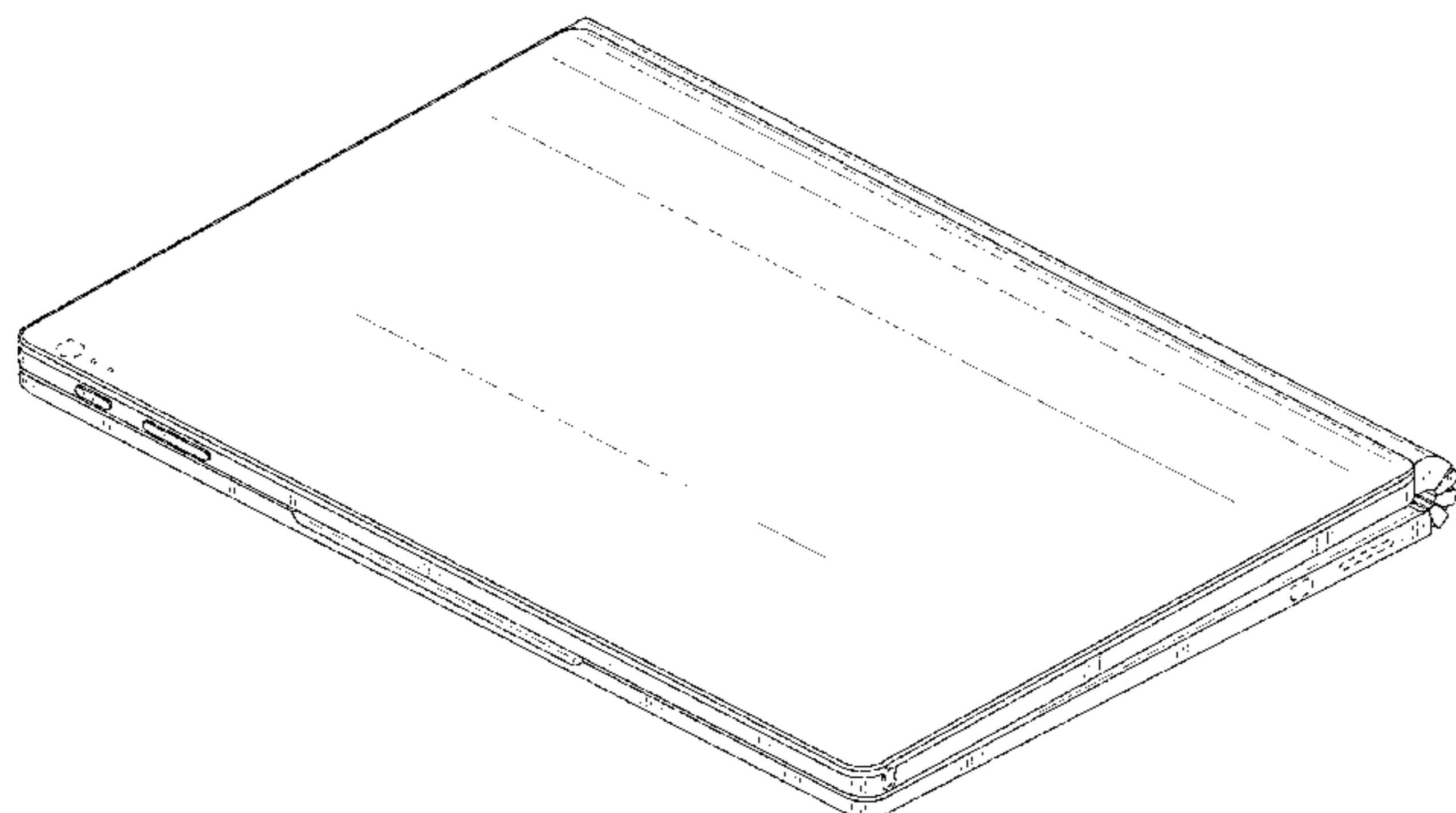


FIG. 26 is a left side view thereof;
 FIG. 27 is a left side view of FIG. 26 disclosing portions thereof;
 FIG. 28 is a right side view thereof; and,
 FIG. 29 is an enlarged view of the encircled portion in FIG. 27.
 The broken lines in the drawings illustrate portions of the electronic tablet and input device for an electronic tablet that form no part of the claimed design. The uneven-length broken line showing of the encircled portions in FIGS. 5, 8, 10, 11, 18, 20, 27, and 29 form no part of the claimed design.

1 Claim, 26 Drawing Sheets

(58) Field of Classification Search

USPC D14/203.4, 203.7, 129, 130, 147, 218,
 D14/248, 389, 388, 426, 420, 440;
 D10/65, 104.1; D18/6, 7; D21/324, 329,
 D21/330; 455/556.1, 556.2, 566, 575.1,
 455/90.3; 379/433.04, 433.01, 433.06,
 379/916; 345/173, 901, 905;
 361/679.26, 670.3, 679.55, 679.56
 CPC H04M 1/00; H04M 11/066; H04M 1/2478;
 H04M 1/72519; H04M 2201/38; H04M
 2250/22; G06F 15/00

See application file for complete search history.

(56)

References Cited

U.S. PATENT DOCUMENTS

D678,300	S	*	3/2013	Groene	D14/455
D678,881	S	*	3/2013	Groene	D14/391
D684,155	S	*	6/2013	Hsu	D14/374
D689,481	S	*	9/2013	Song	D14/341
D692,902	S	*	11/2013	Groene	D14/455
D696,262	S	*	12/2013	Groene	D14/455
D701,214	S	*	3/2014	Gengler	D14/447
D705,227	S	*	5/2014	Groene	D14/392
D705,776	S	*	5/2014	Groene	D14/341
D714,780	S	*	10/2014	Lee	D14/315
D715,285	S	*	10/2014	Lee	D14/315
D718,763	S	*	12/2014	Lee	D14/315
D720,748	S	*	1/2015	Groene	D14/392
D733,126	S	*	6/2015	Sung	D14/341
D734,757	S	*	7/2015	Myung	D14/392
D734,759	S	*	7/2015	Myung	D14/439
D736,763	S	*	8/2015	Yum	D14/341
D751,553	S	*	3/2016	Kim	D14/392
D754,660	S	*	4/2016	Kim	D14/392
D760,226	S	*	6/2016	Bailey	D14/392
D766,233	S	*	9/2016	Lam	D14/315
D773,472	S	*	12/2016	Bailey	D14/455
D780,758	S	*	3/2017	Bailey	D14/392
D784,344	S	*	4/2017	Myung	D14/439
D790,554	S	*	6/2017	Bailey	D14/455
D790,555	S	*	6/2017	Bailey	D14/455
9,678,542	B2	*	6/2017	Whitt, III	G06F 1/1684
D791,780	S	*	7/2017	Bailey	D14/455

* cited by examiner

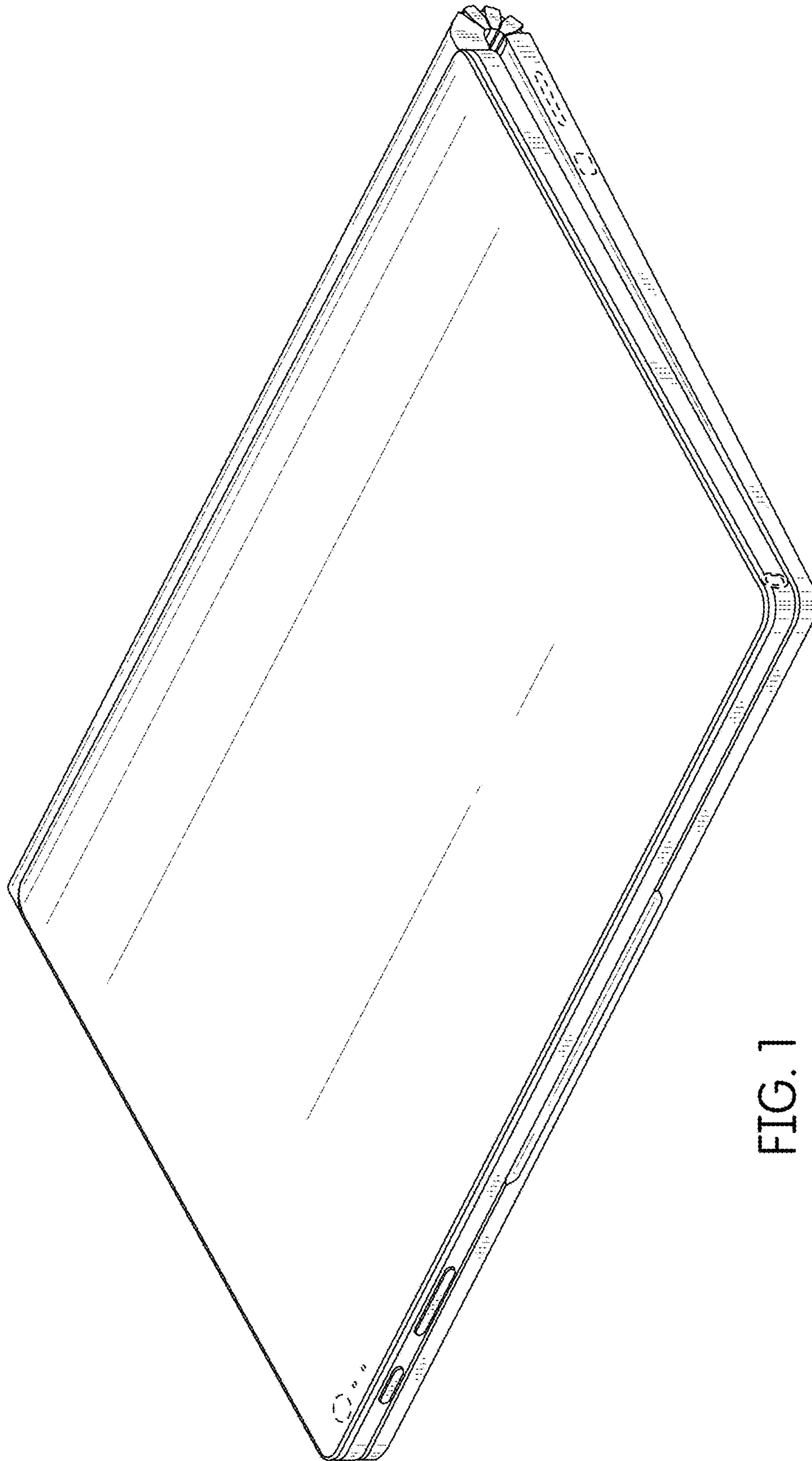


FIG. 1

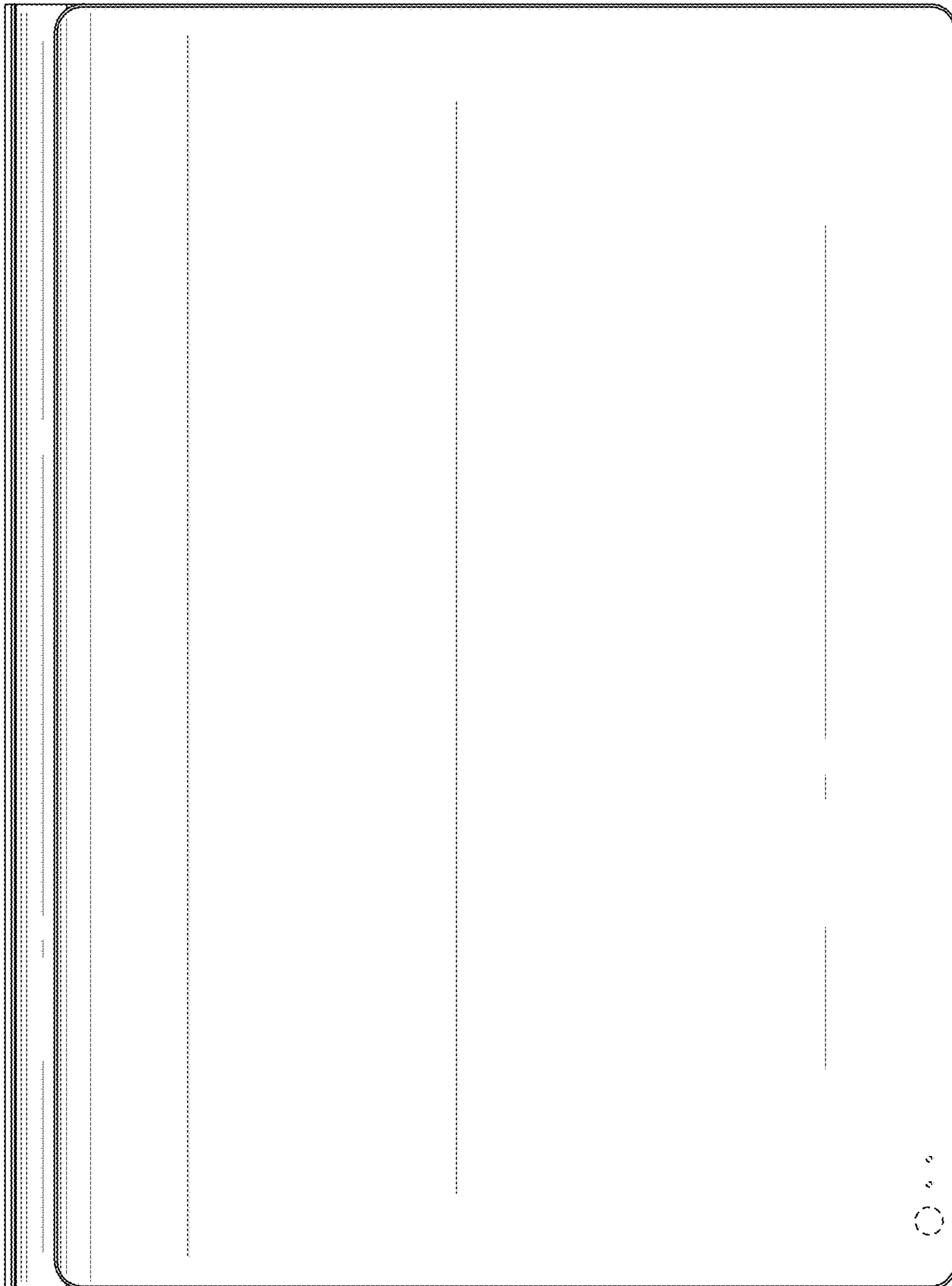


FIG. 2

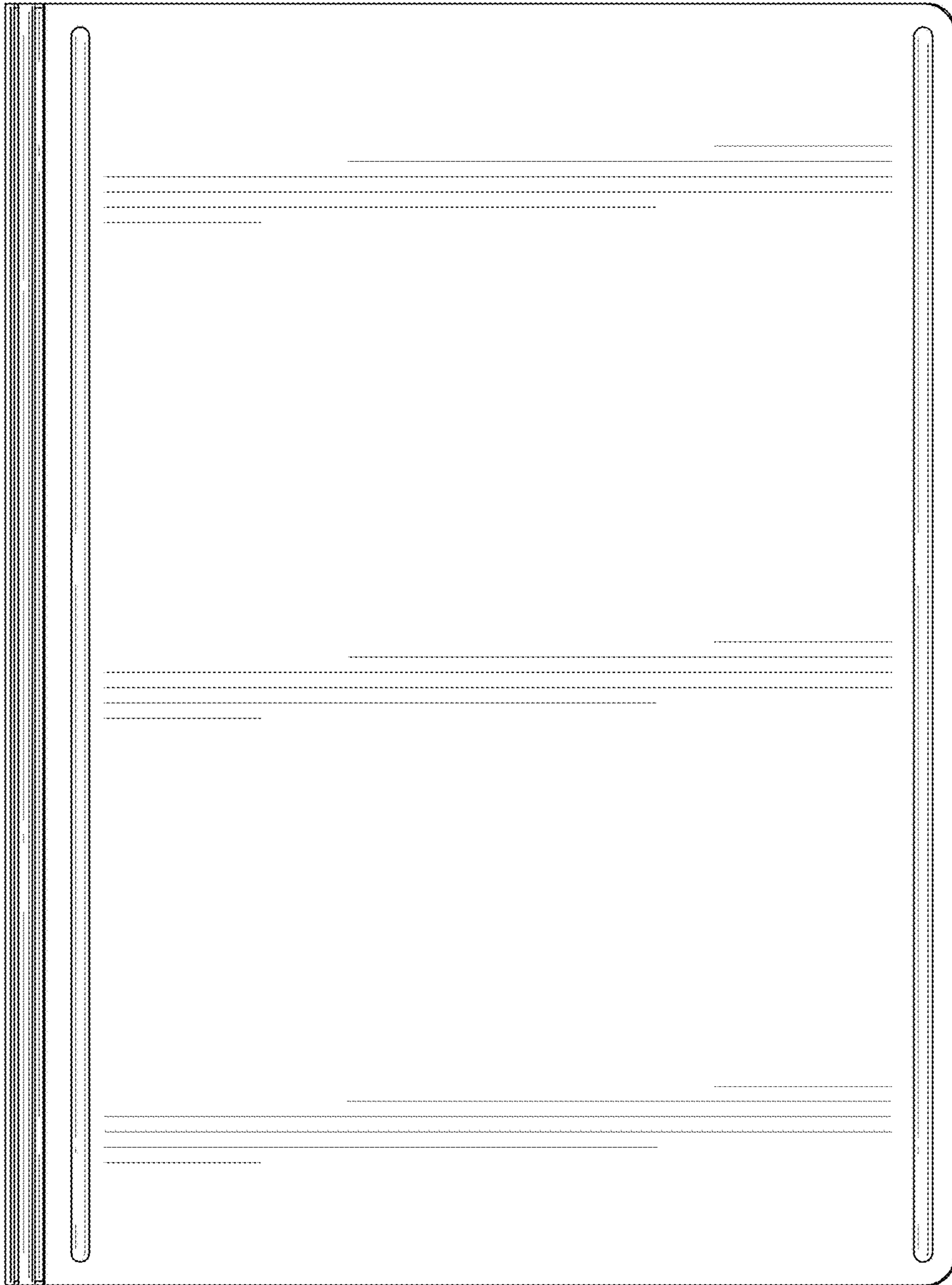


FIG. 3

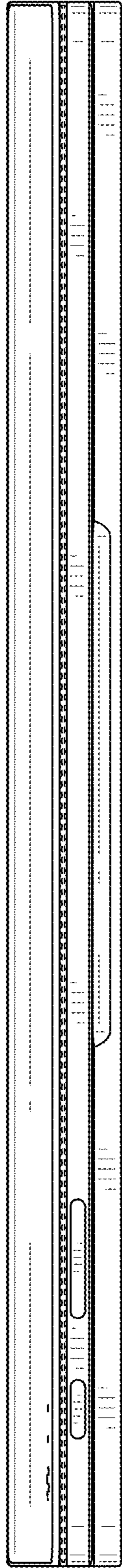


FIG. 4

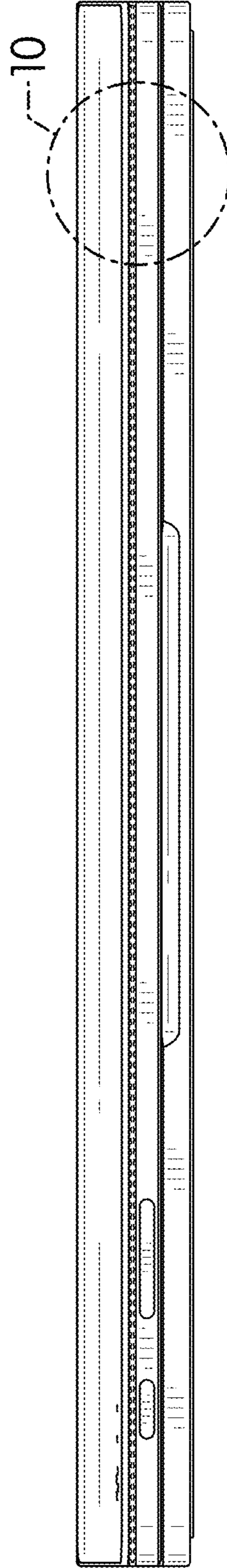


FIG. 5

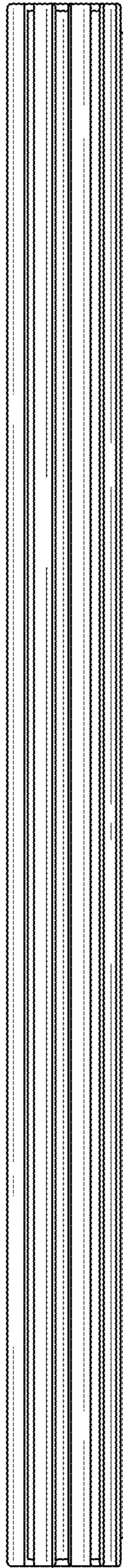


FIG. 6

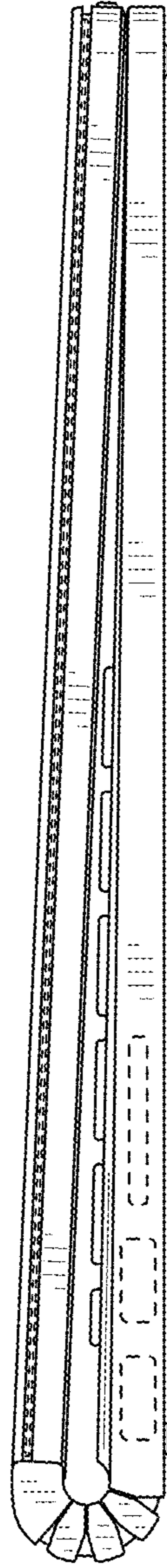


FIG. 7

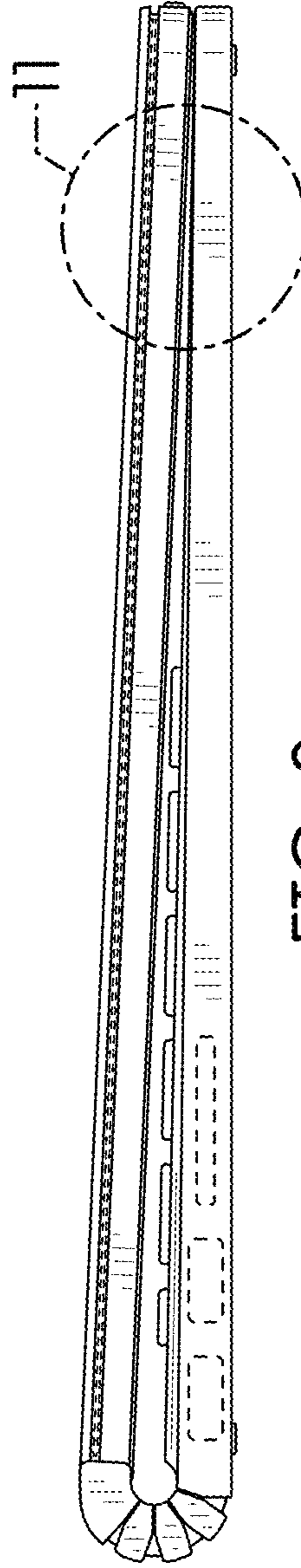


FIG. 8

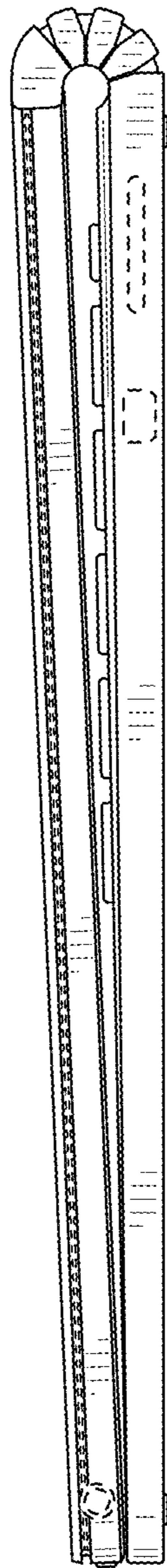


FIG. 9

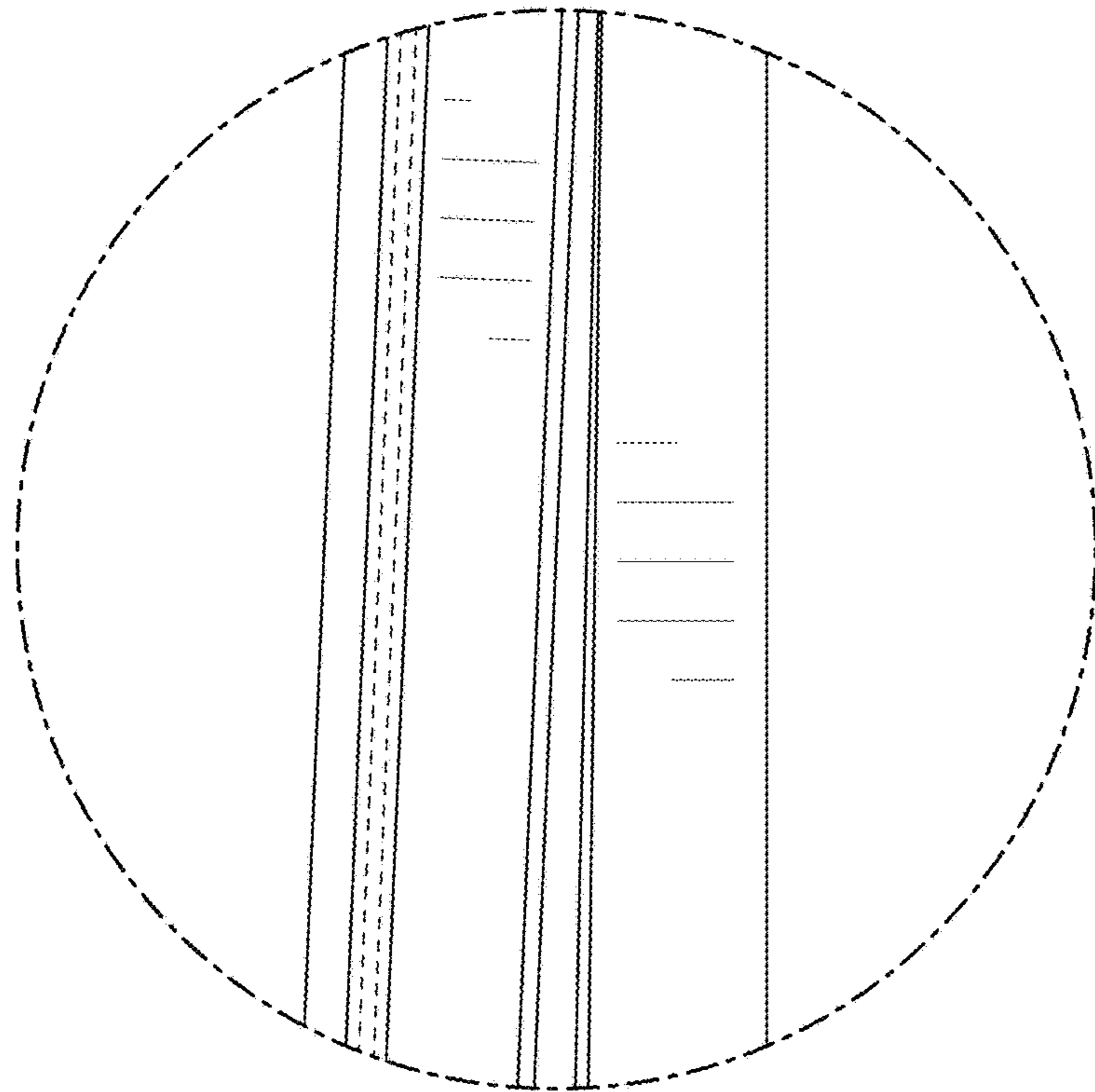


FIG. 11

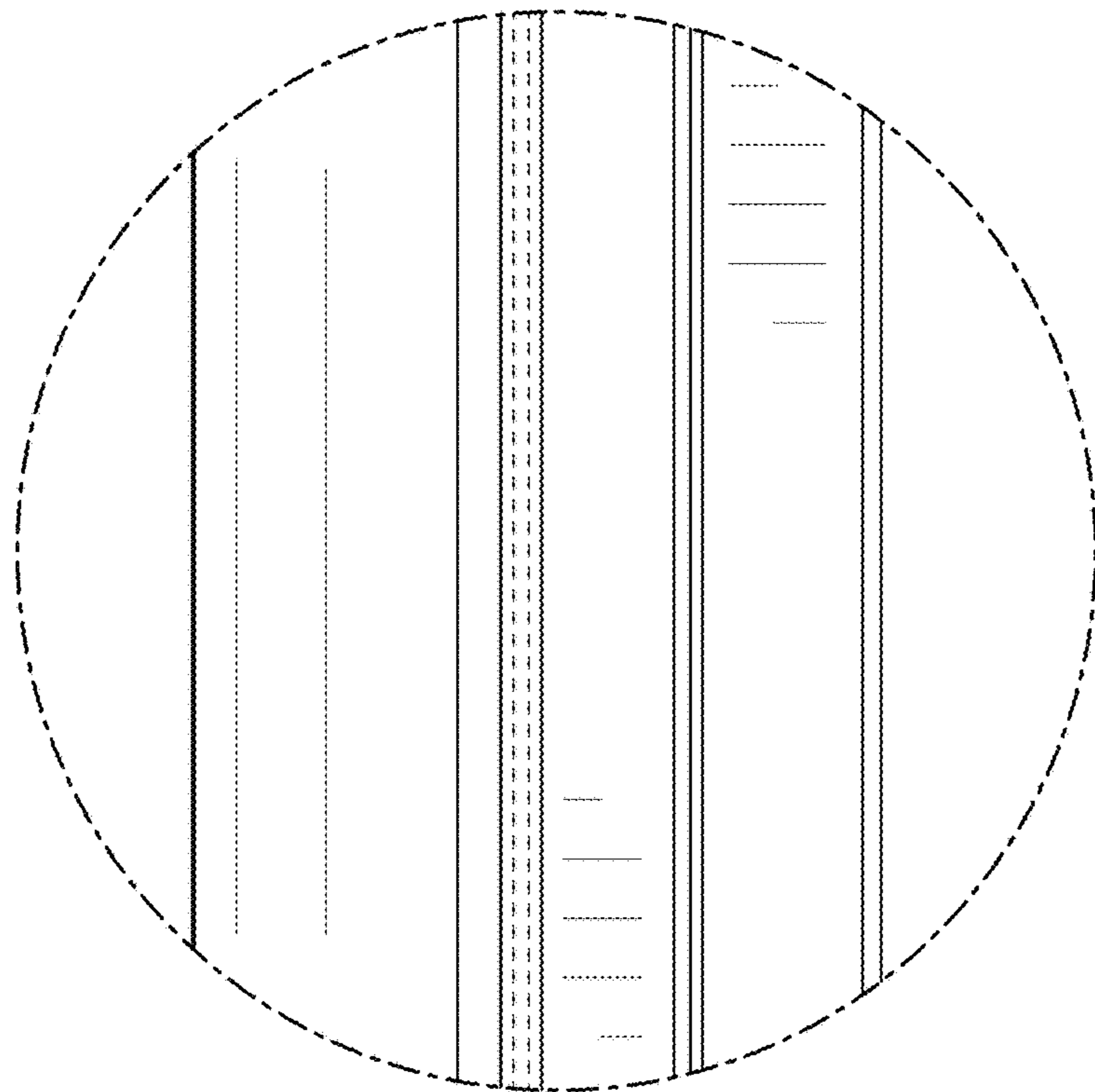


FIG. 10

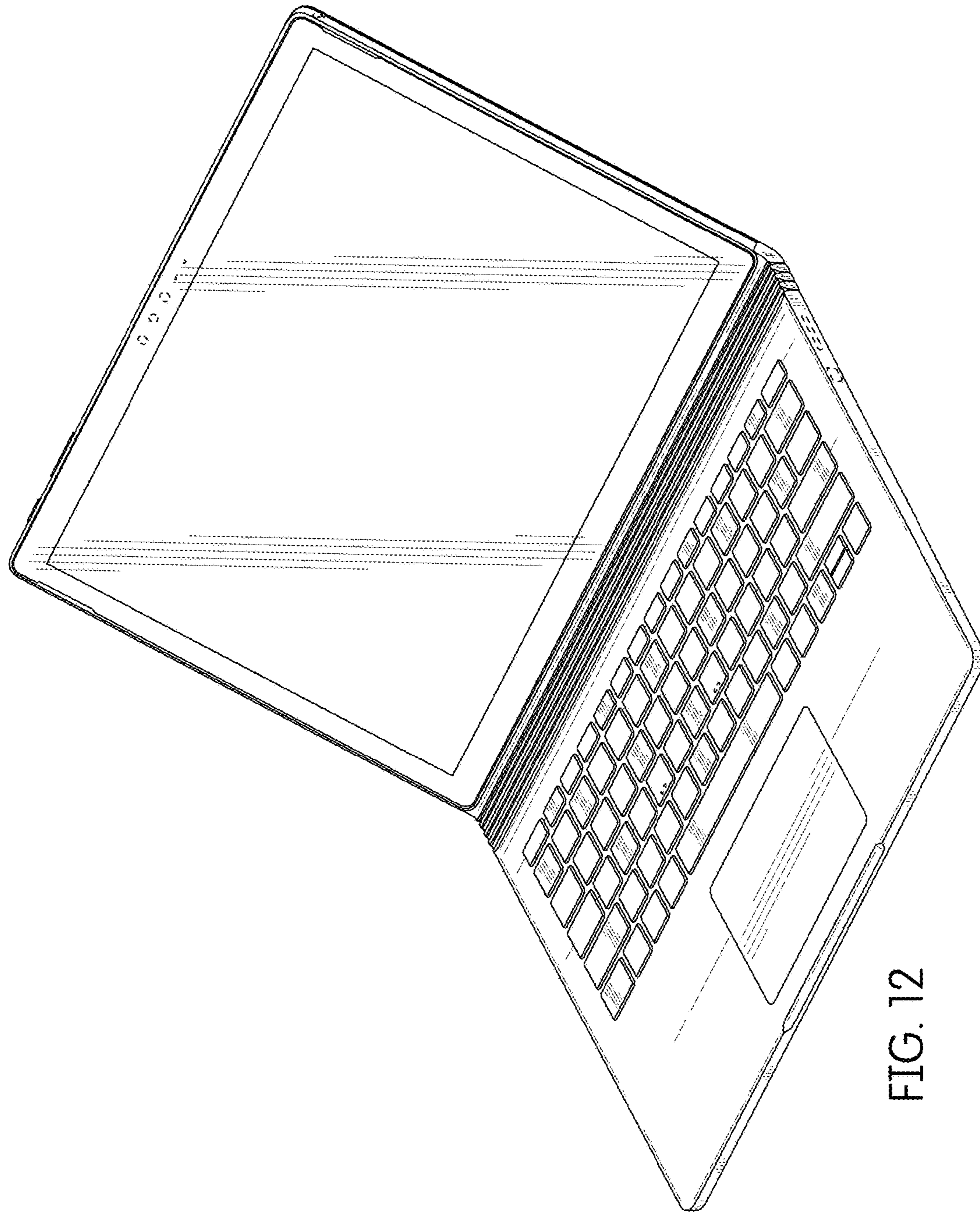


FIG. 12

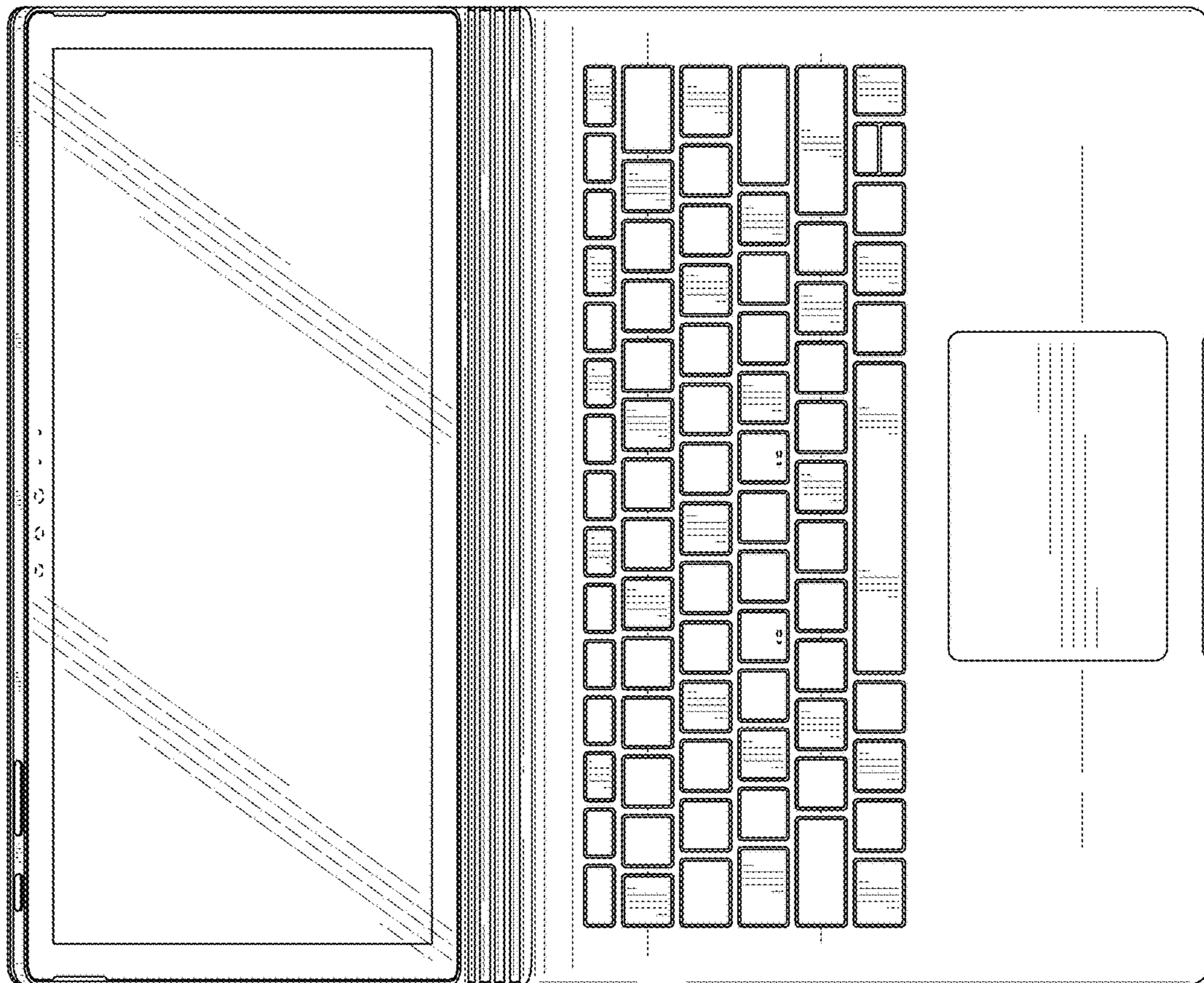


FIG. 13

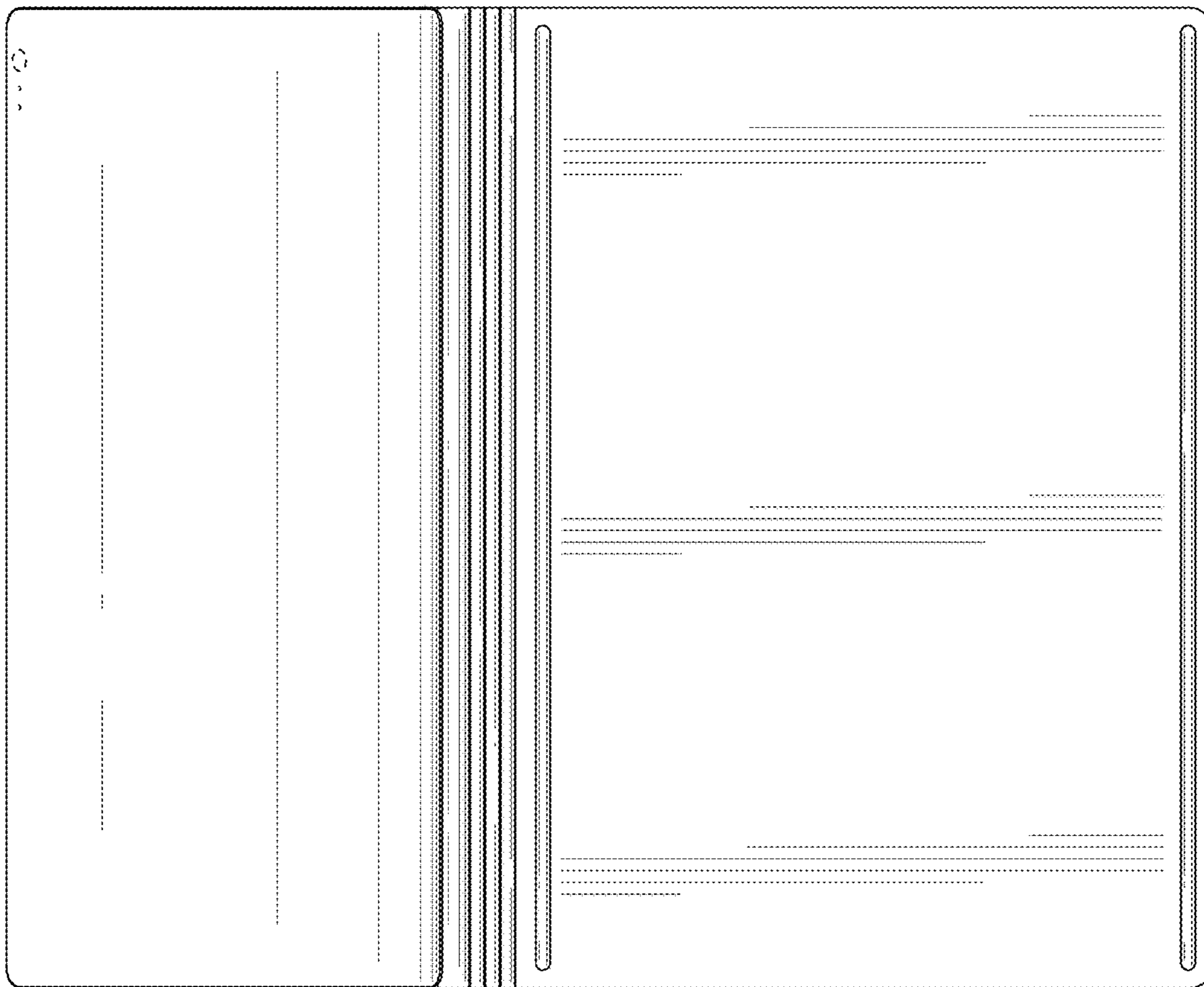


FIG. 14

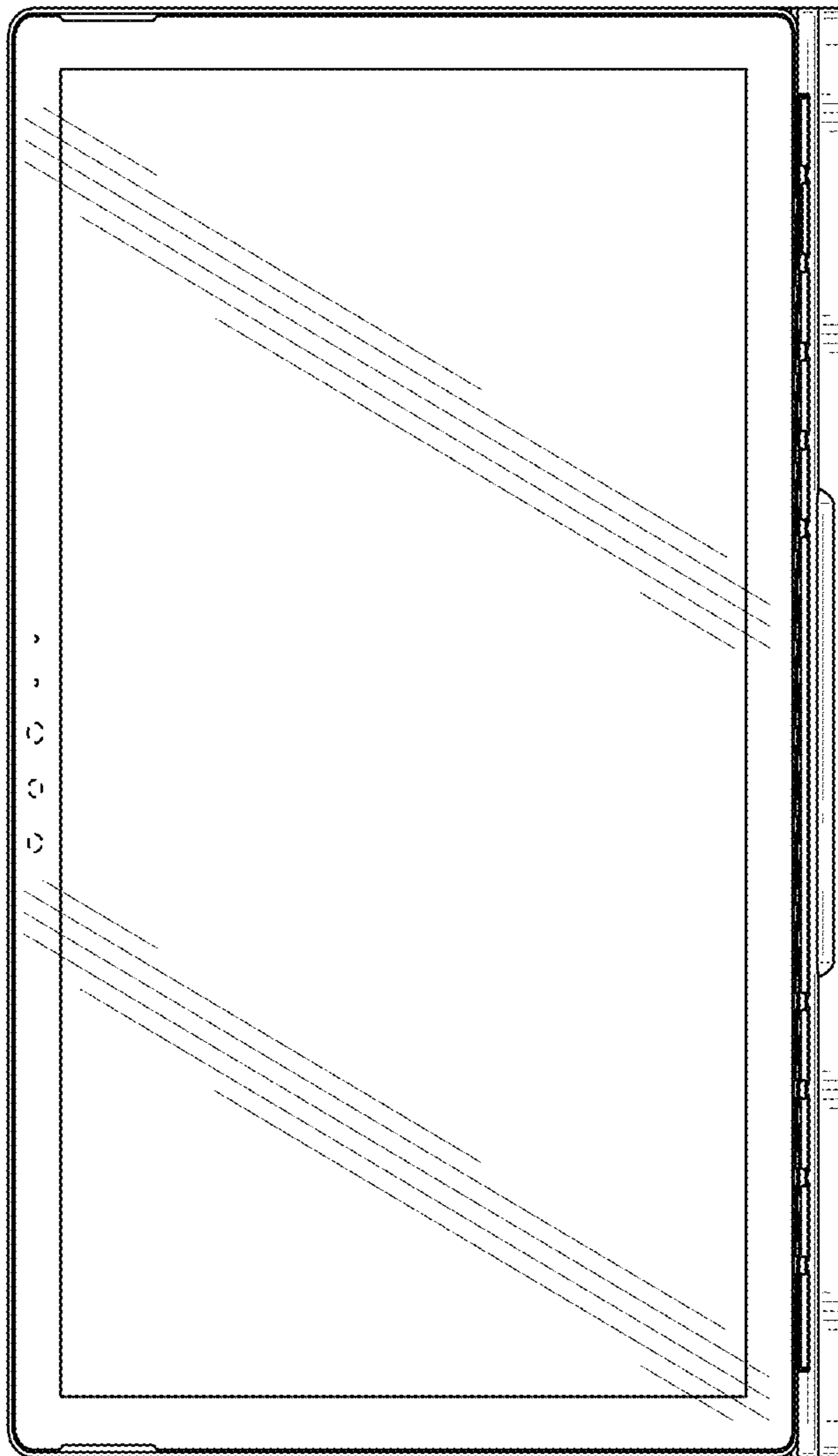


FIG. 15

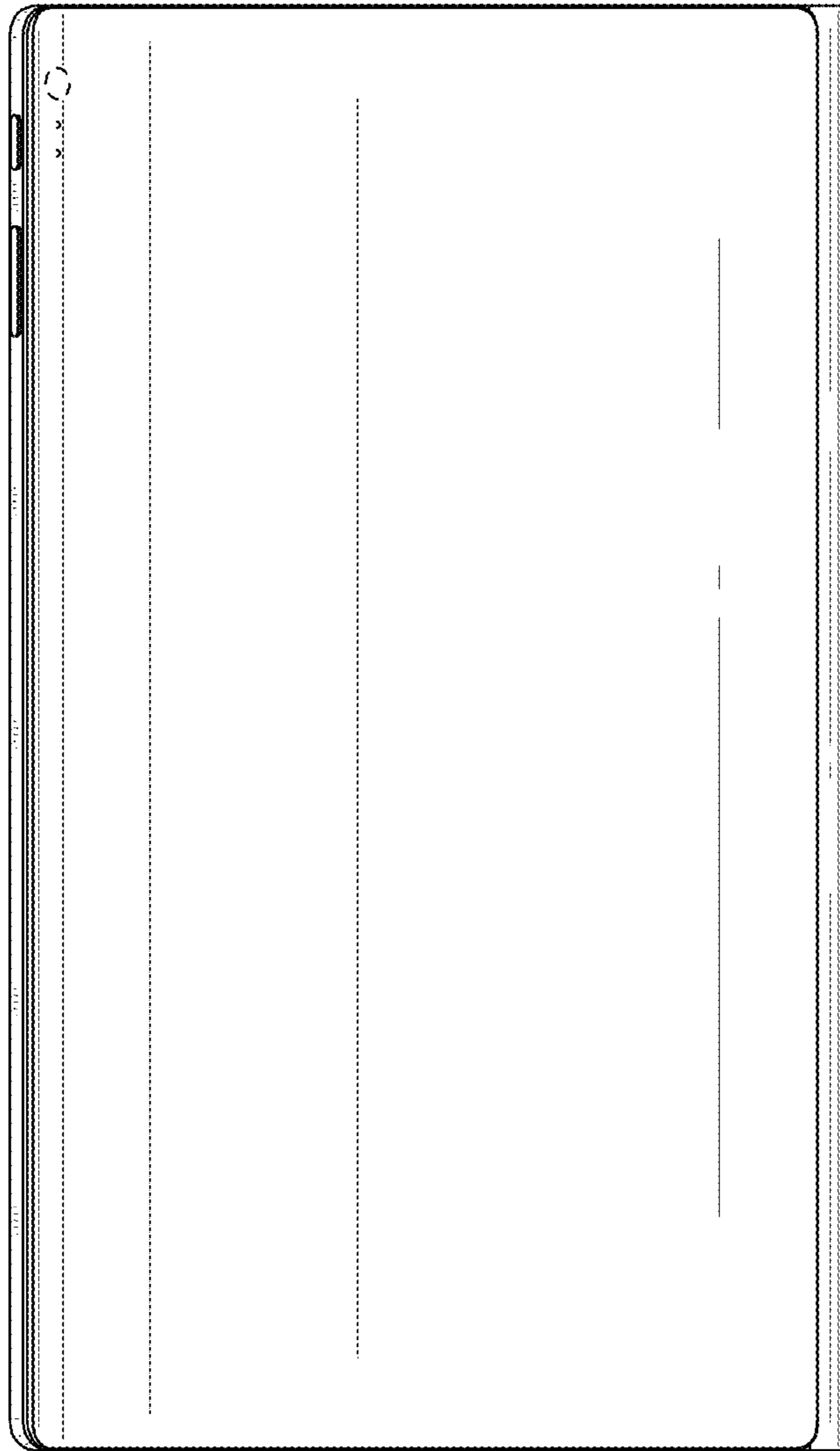


FIG. 16

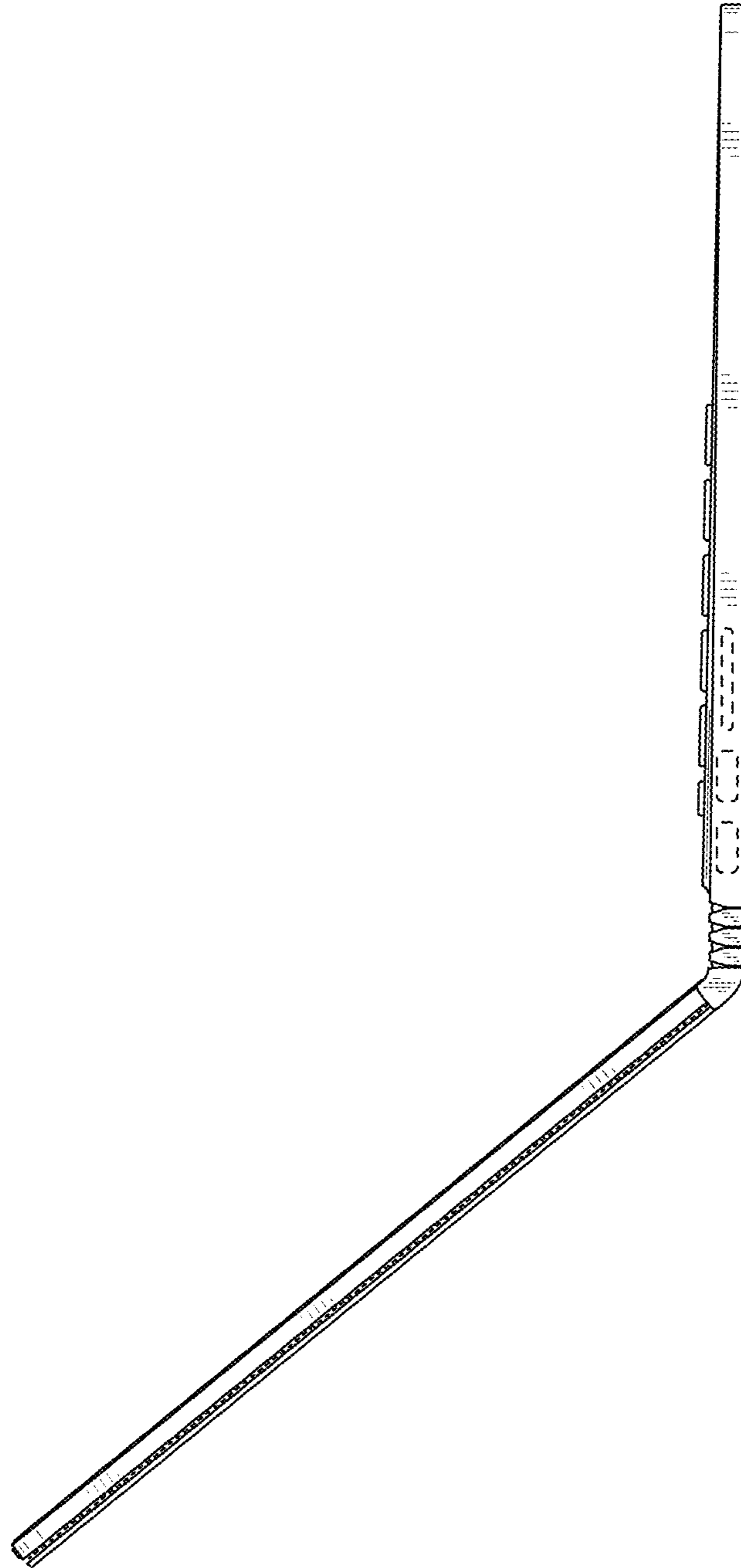


FIG. 17

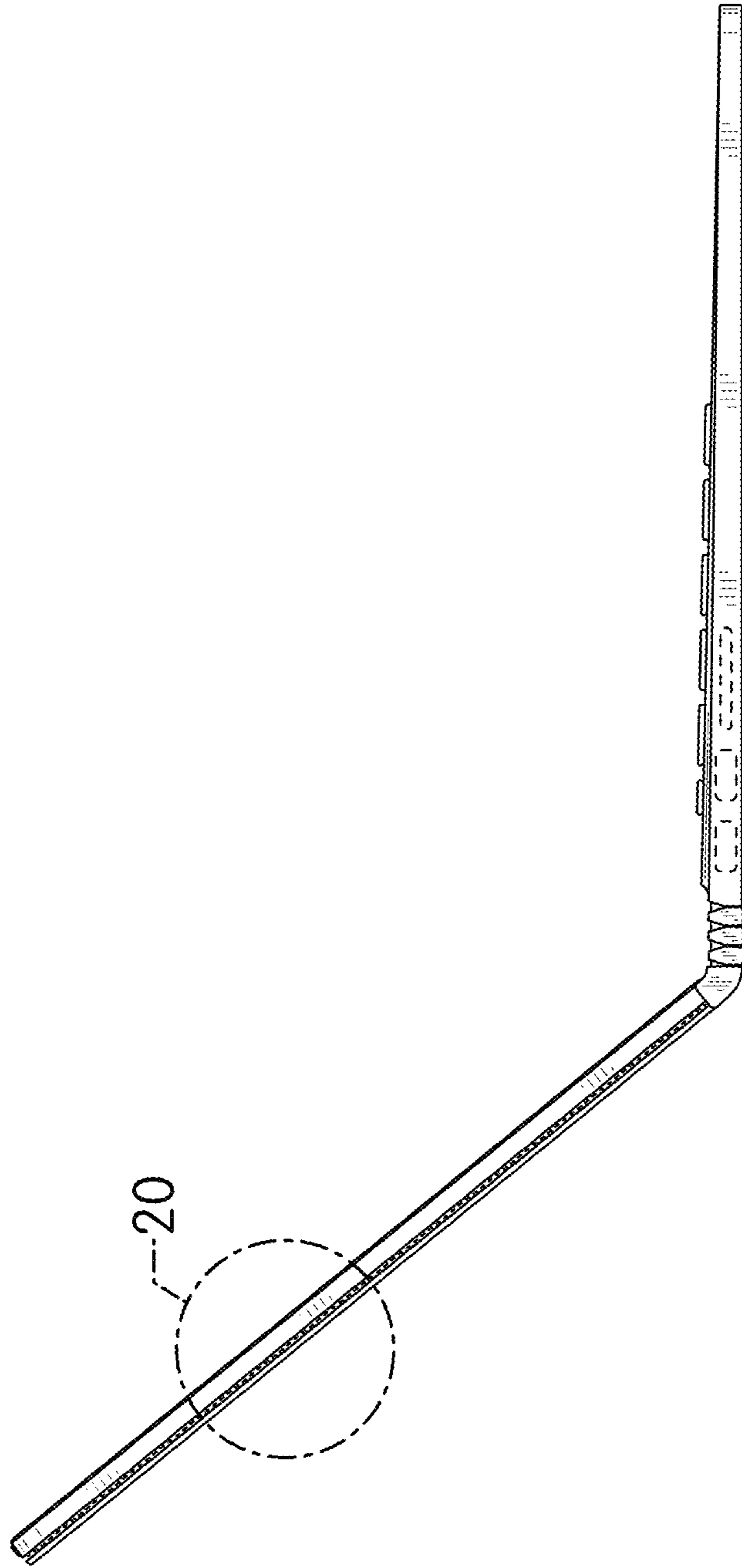


FIG. 18

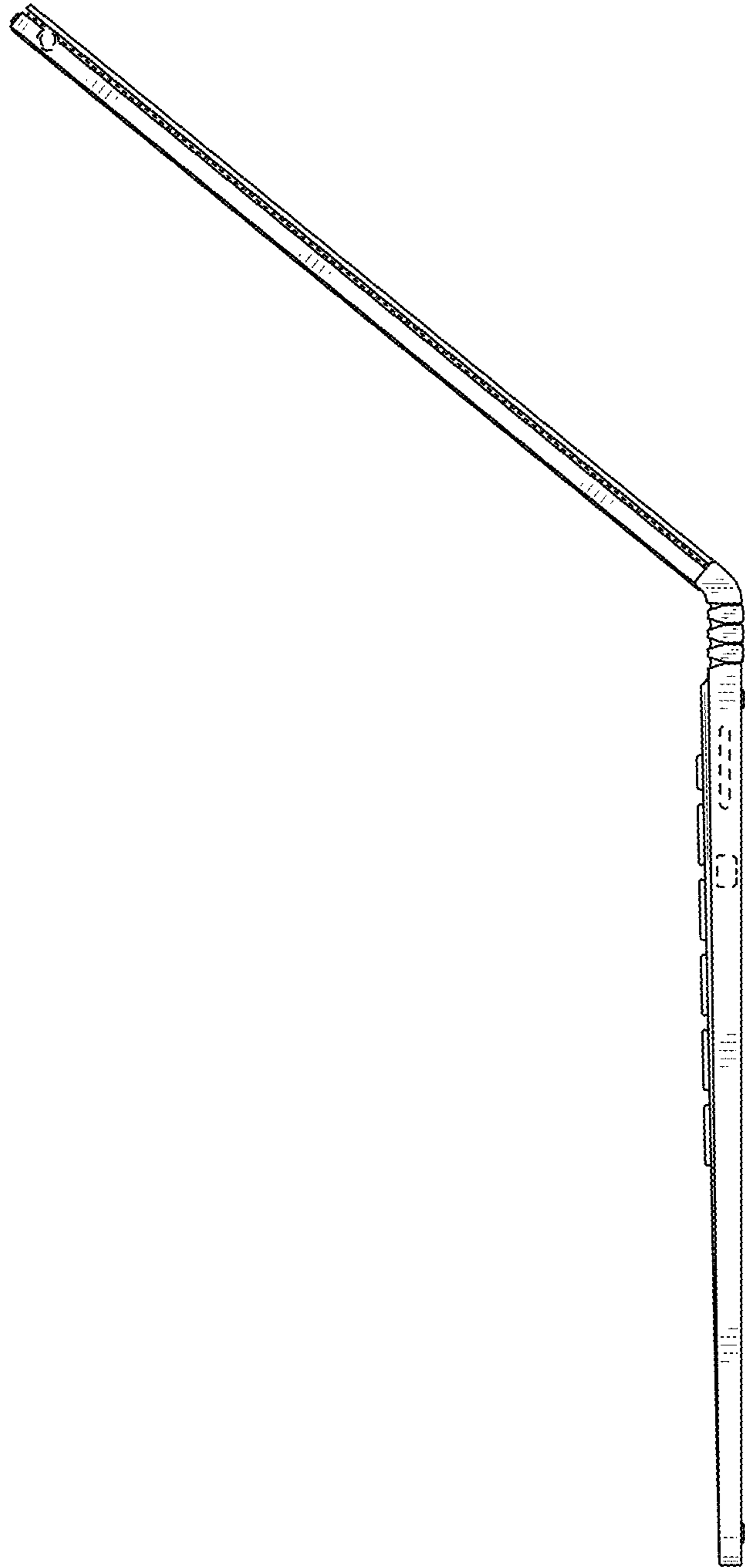


FIG. 19

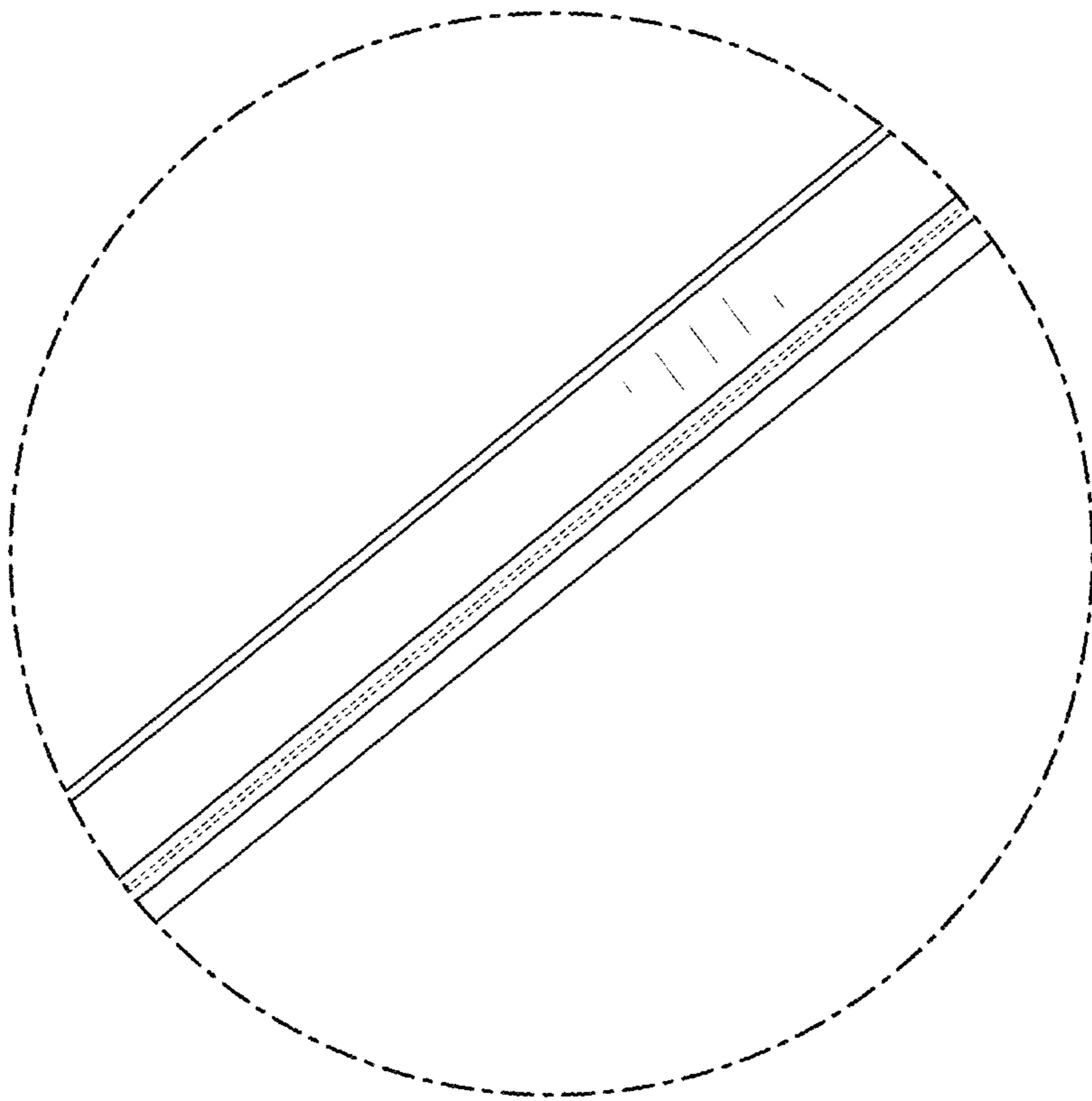


FIG. 20

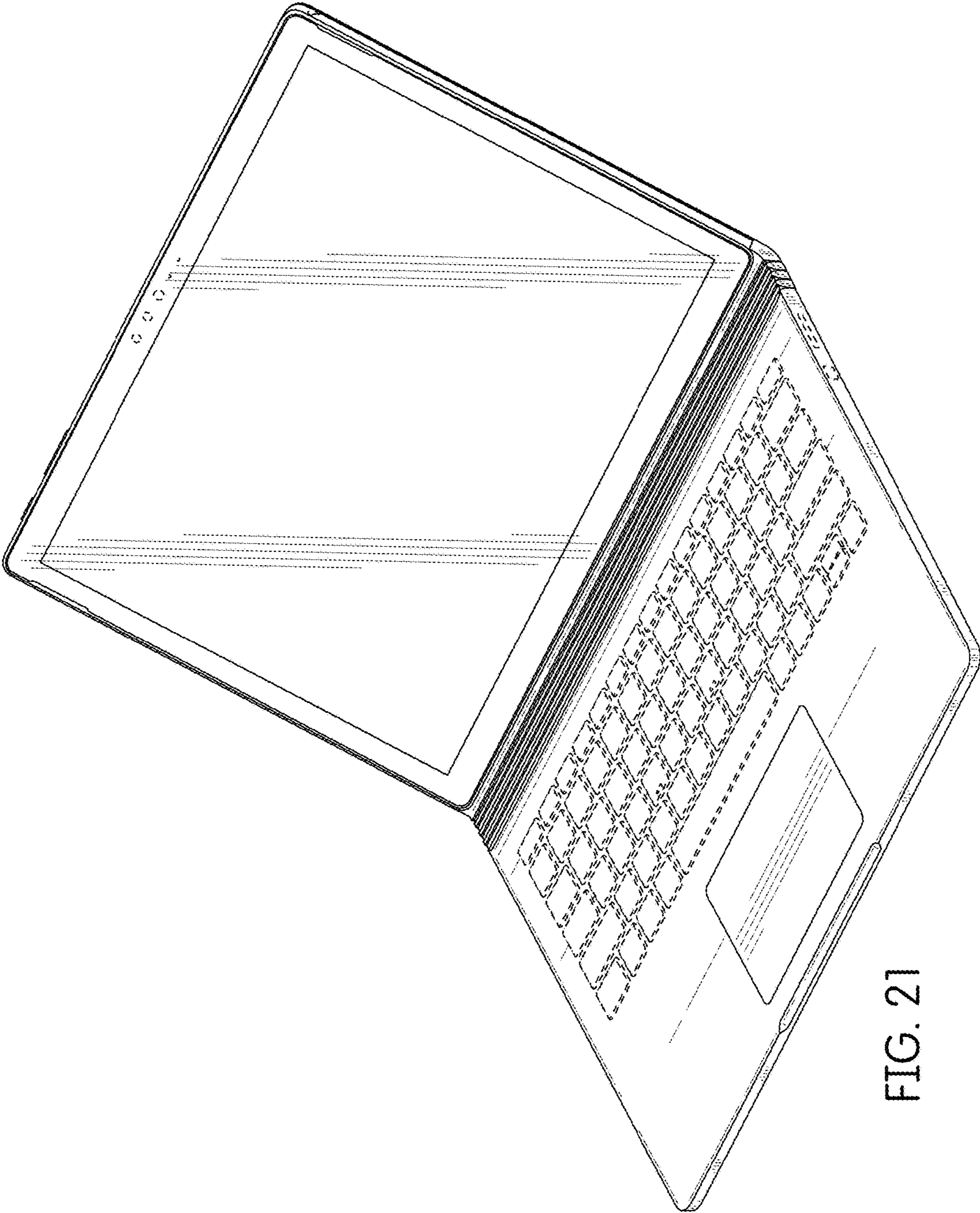


FIG. 21

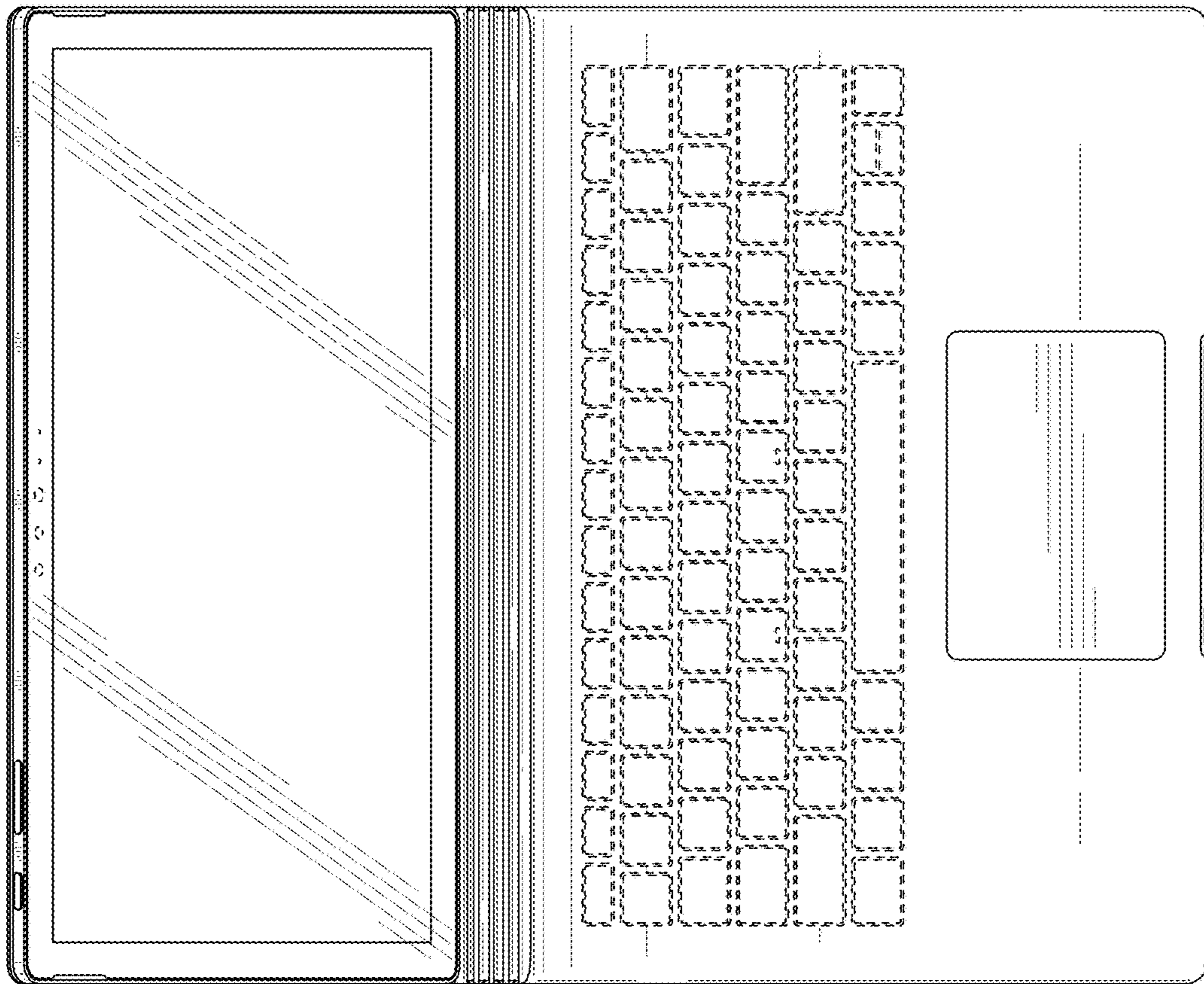


FIG. 22

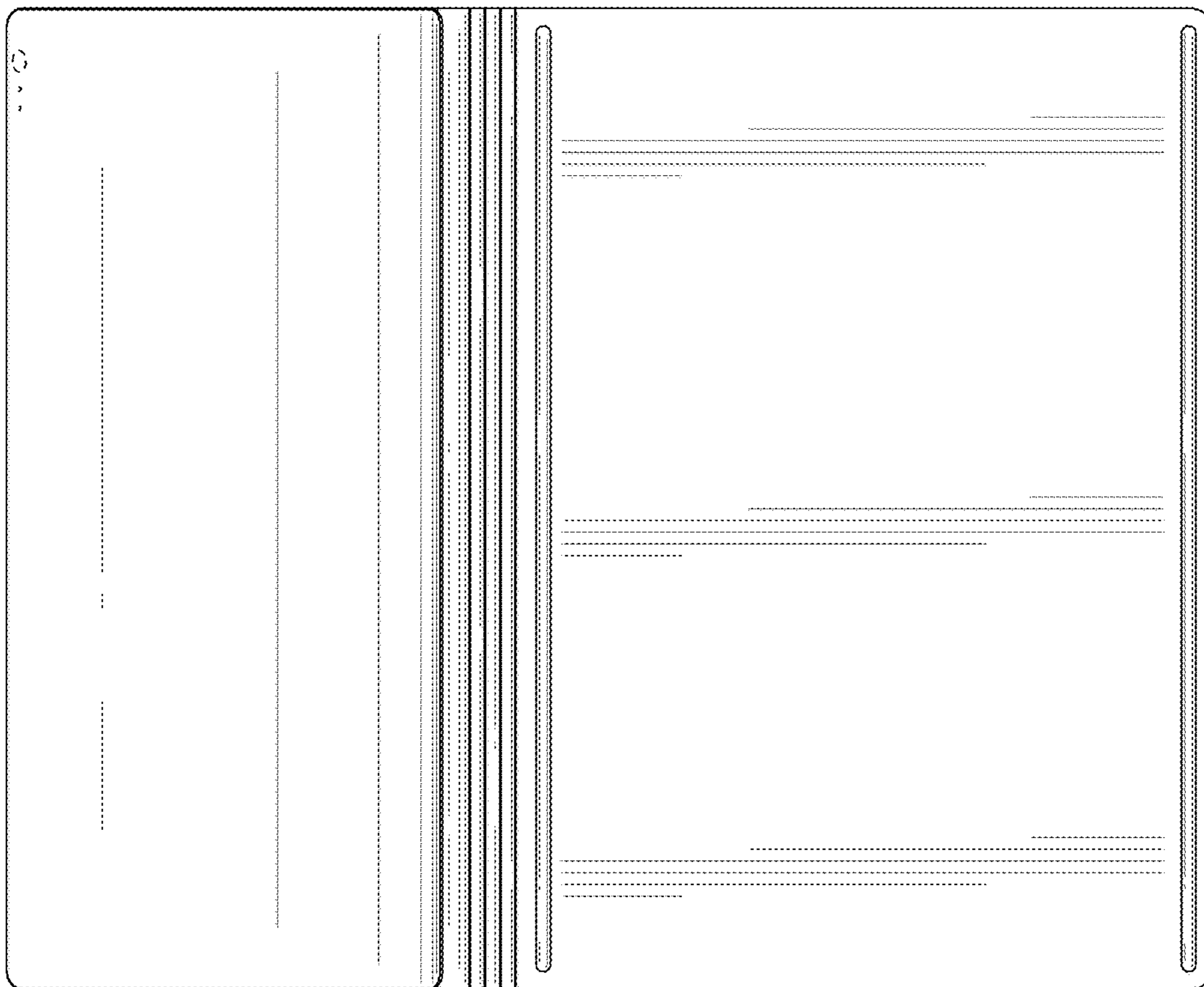


FIG. 23

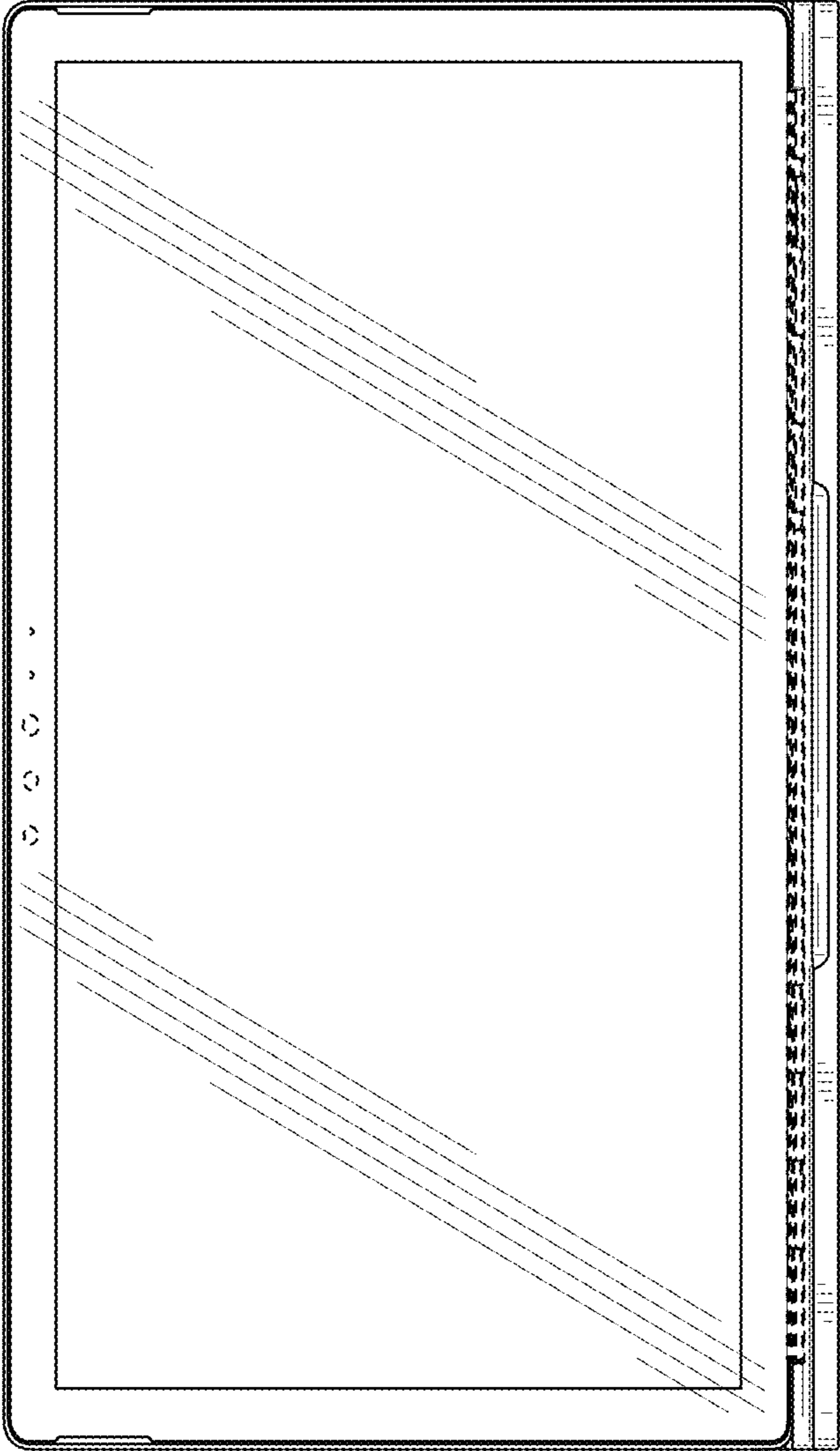


FIG. 24

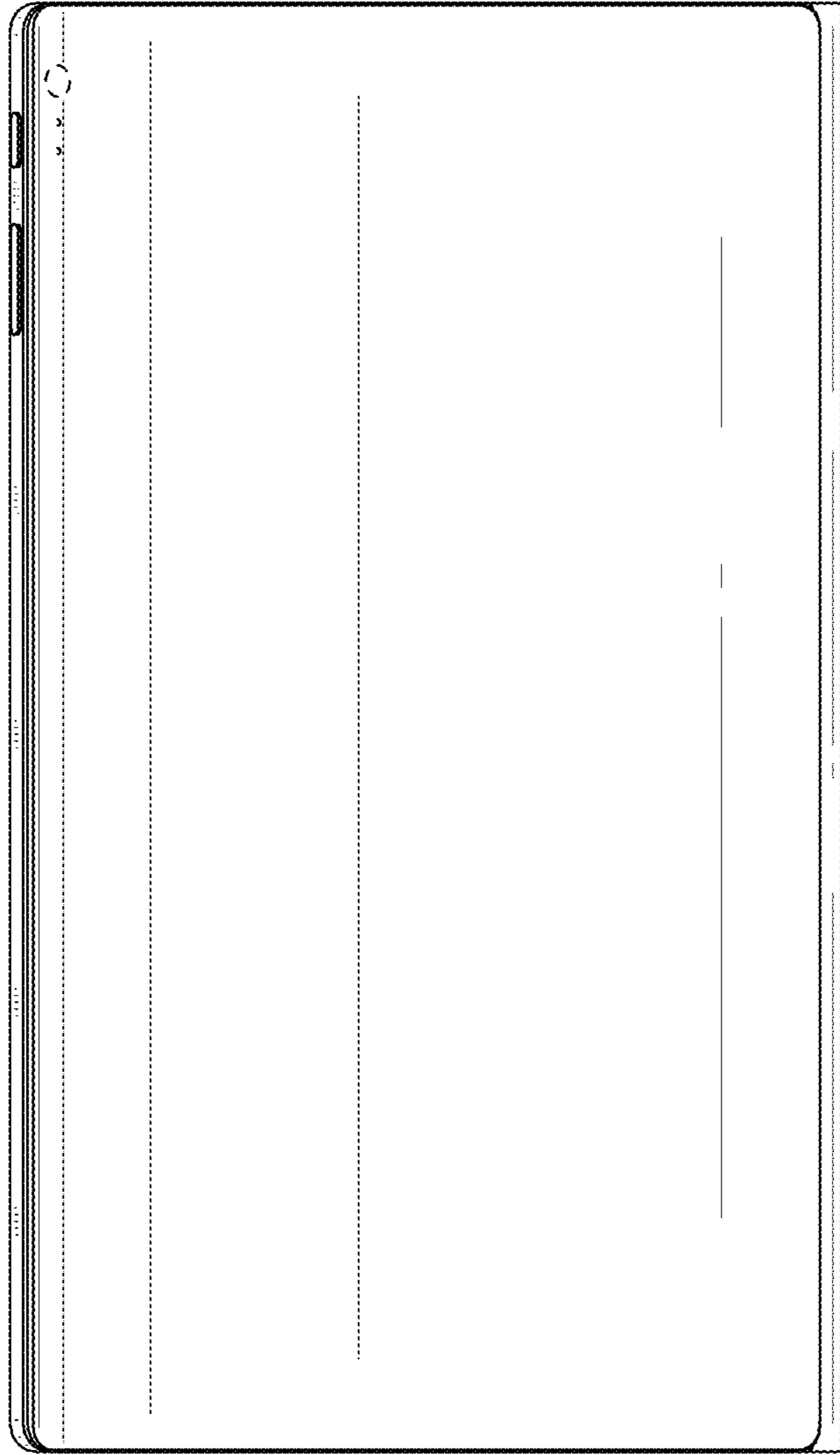


FIG. 25

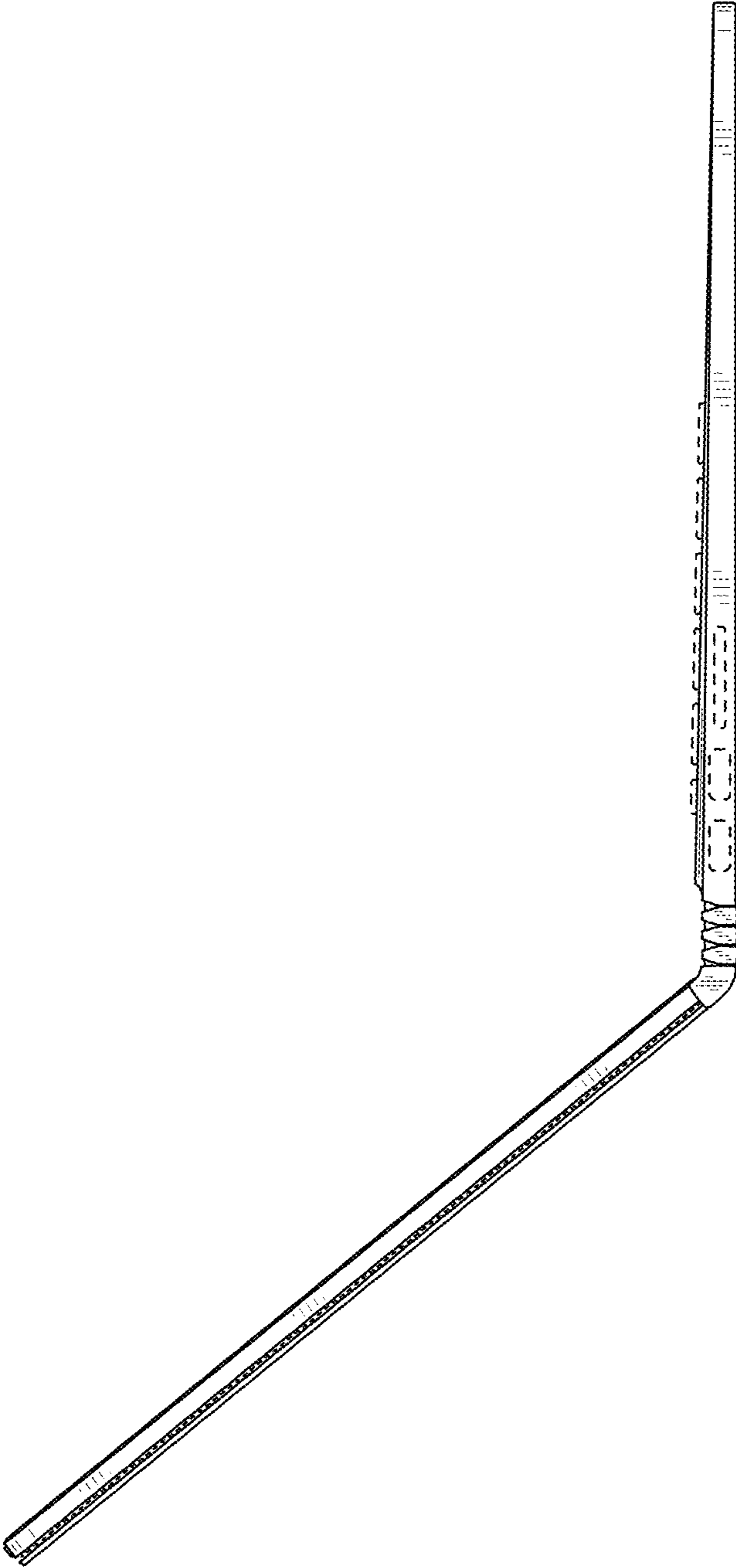


FIG. 26

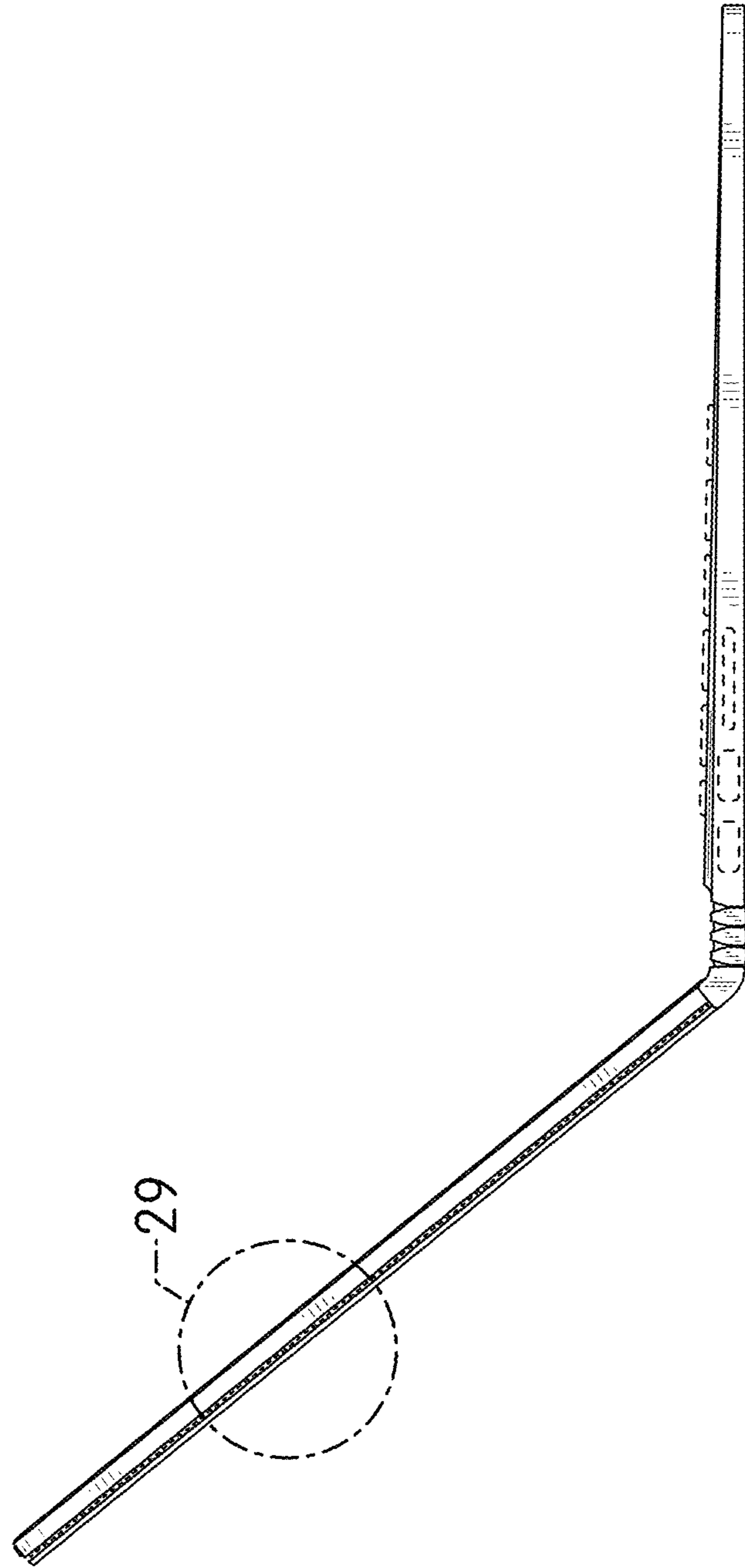


FIG. 27

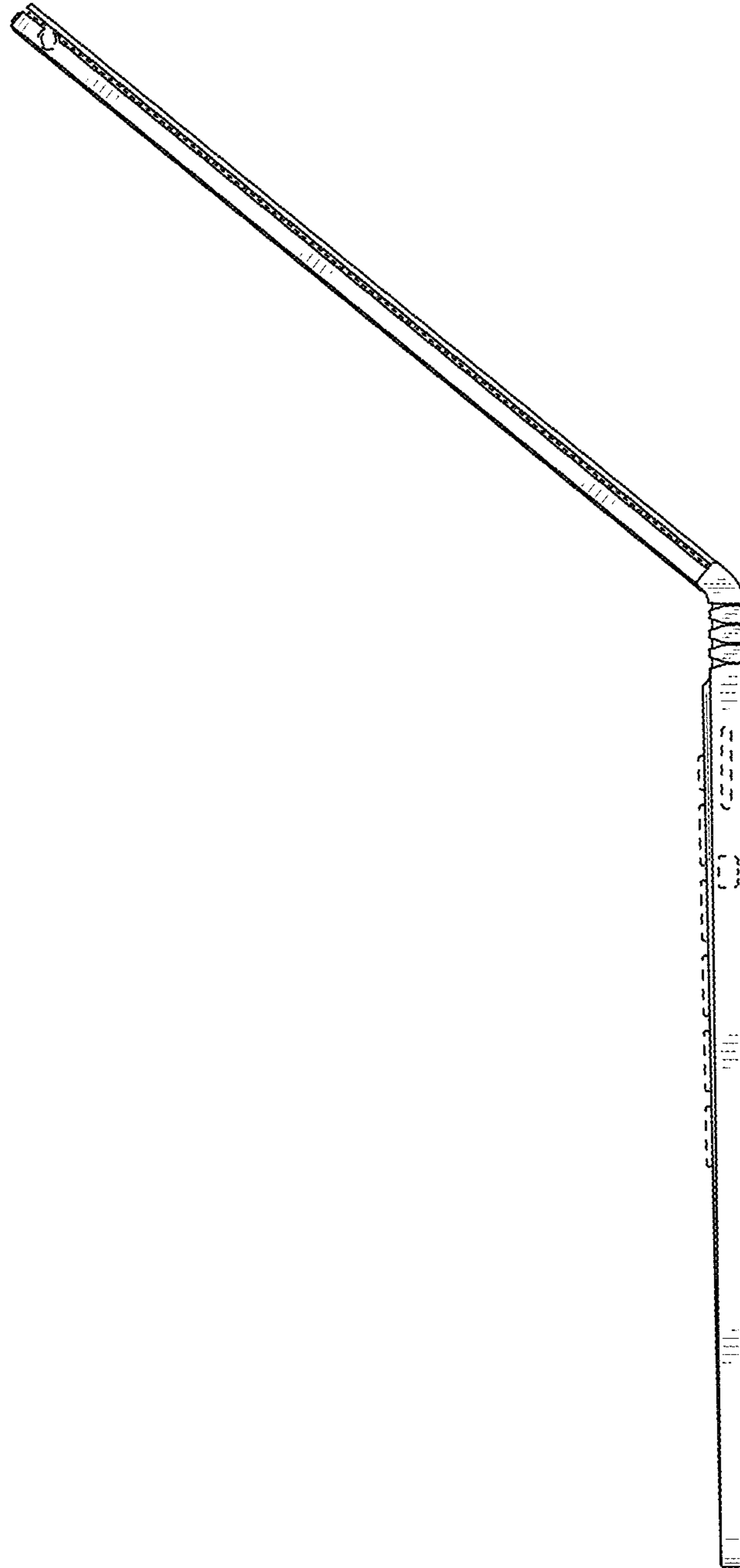


FIG. 28

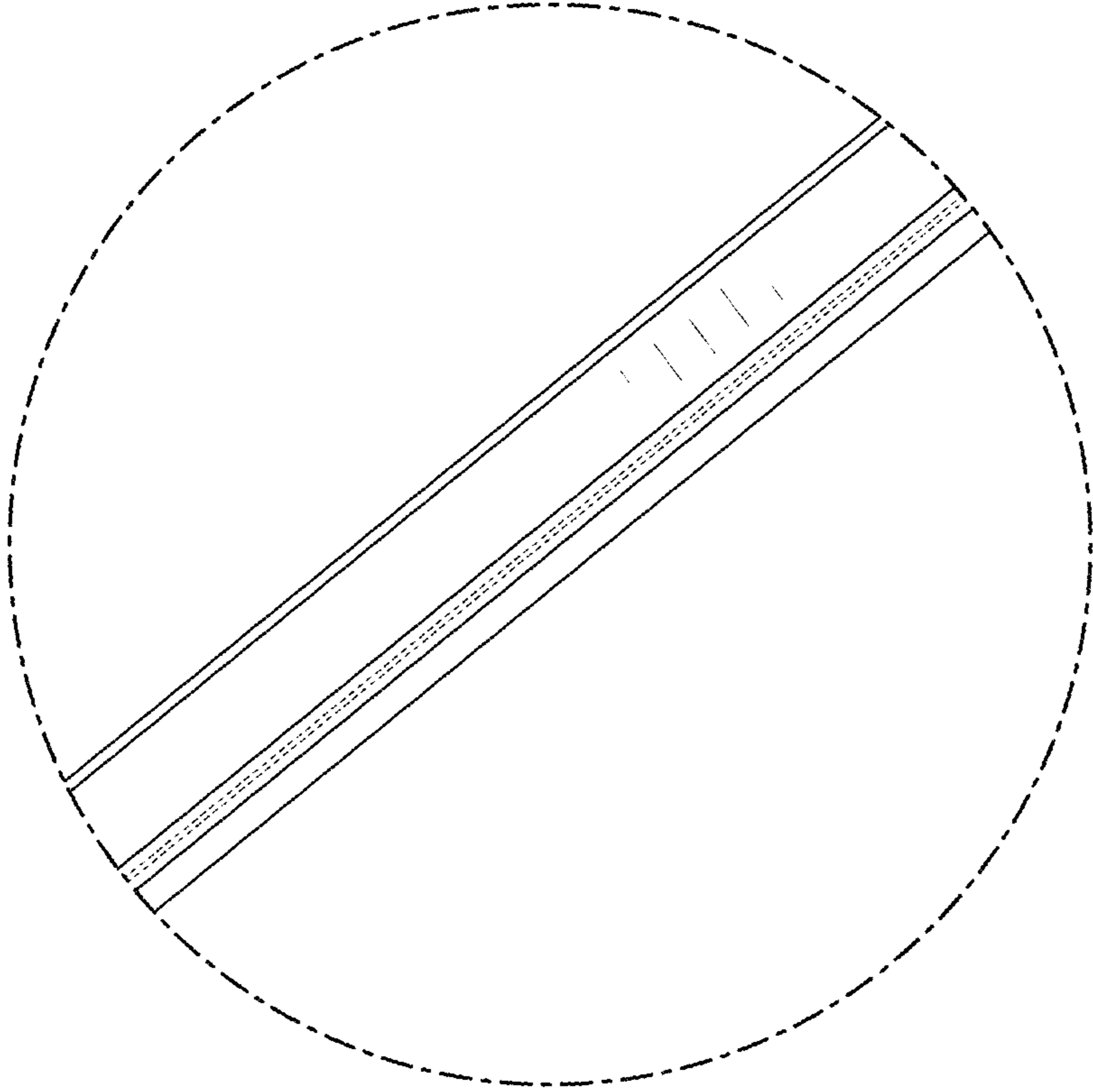


FIG. 29