



US00D833425S

(12) **United States Design Patent** (10) **Patent No.:** **US D833,425 S**
Ahn (45) **Date of Patent:** **** Nov. 13, 2018**

(54) **CASE FOR ELECTRONIC COMMUNICATIONS DEVICE**
(71) Applicant: **SPIGEN KOREA CO., LTD.**, Seoul (KR)
(72) Inventor: **Deok Hyun Ahn**, Seoul (KR)
(73) Assignee: **SPIGEN KOREA CO., LTD.**, Bongeunsa-ro, Gangnam-gu, Seoul (KR)
(**) Term: **15 Years**
(21) Appl. No.: **29/606,487**
(22) Filed: **Jun. 5, 2017**
(51) **LOC (11) Cl.** **14-03**
(52) **U.S. Cl.**
USPC **D14/250**
(58) **Field of Classification Search**
USPC D14/248, 439, 203.3-203.7, 447, 238.1, D14/440, 251-253, 217, 240, 250;
(Continued)

(56) **References Cited**
U.S. PATENT DOCUMENTS
D577,904 S 10/2008 Sasaki
D633,089 S 2/2011 Hsu
(Continued)

Primary Examiner — Carla J Wright
(74) *Attorney, Agent, or Firm* — Heedong Chae; Lucem, PC

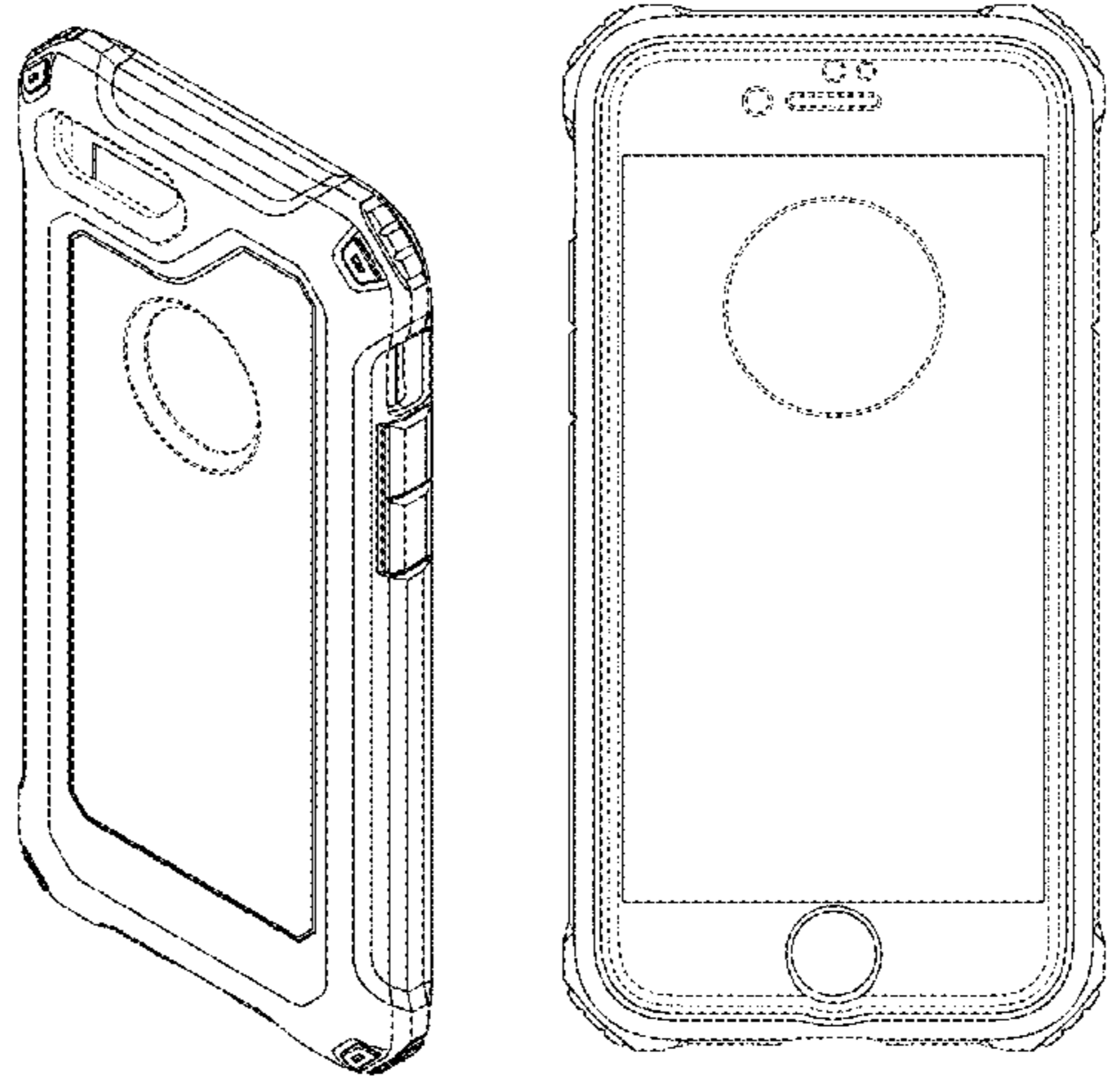
(57) **CLAIM**
The ornamental design for a case for electronic communications device, as shown and described.

DESCRIPTION

FIG. 1 is a front perspective view of a case for electronic communications device showing my new design;

FIG. 2 is a rear perspective view thereof;
FIG. 3 is a front elevational view thereof;
FIG. 4 is a rear elevational view thereof;
FIG. 5 is a left side elevational view thereof;
FIG. 6 is a right side elevational view thereof;
FIG. 7 is a top plan view thereof;
FIG. 8 is a bottom plan view thereof;
FIG. 9 is a front perspective view showing the front cover component of the case separately for clarity of disclosure;
FIG. 10 is a rear perspective view showing the front cover component of the case separately for clarity of disclosure;
FIG. 11 is a front perspective view showing the rear cover component of the case separately for clarity of disclosure;
FIG. 12 is a rear perspective view showing the rear cover component of the case separately for clarity of disclosure;
FIG. 13 is a front perspective view showing the outer shell component of the case separately for clarity of disclosure;
FIG. 14 is a rear perspective view showing the outer shell component of the case separately for clarity of disclosure;
FIG. 15 is an exploded front perspective view showing the components of the case separated for clarity of disclosure; and,
FIG. 16 is an exploded rear perspective view showing the components of the case separated for clarity of disclosure.
Although the case for electronic communications device, in which the claimed design is embodied, consists of a front cover component, a rear cover component, and an outer shell component, the claim is directed to the ornamental appearance of the case for electronic communications device in its entirety and does not extend to the ornamental appearance of each of the individual components of the case for electronic communications device.
The broken lines throughout the drawing figures depict portions of the case for electronic communications device that form no part of the claimed design. The interior portion of each of the components of the case forms no part of the claimed design. This includes the interior of front cover component shown in FIGS. 10 and 16, the interior of the rear cover component of the case shown in FIGS. 1, 3, 11, and 15, and the interior of the outer shell component of the case shown in FIGS. 13 and 15. The broken lines and regions bounded by broken lines form no part of the claimed design.

1 Claim, 16 Drawing Sheets



US D833,425 S

(58) **Field of Classification Search**

USPC D3/201, 218, 247, 269, 273, 301, 303;
D13/103, 107-108, 119
CPC H04B 1/3888; H04M 1/0283; H04M
1/0202; A45C 1/06; A45C 2011/002;
A45C 11/00; A45C 13/02; A45F
2005/026; A45F 2200/0525; A45F
2200/0516

See application file for complete search history.

(56)

References Cited

U.S. PATENT DOCUMENTS

D641,354 S * 7/2011 Hsu D14/341
D642,169 S * 7/2011 Andre D14/250
D670,279 S 11/2012 Veltz
D675,604 S 2/2013 Limber
D681,617 S * 5/2013 Weller D14/250
D682,260 S * 5/2013 Tages D14/250
D691,990 S * 10/2013 Rayner D14/250
D703,649 S 4/2014 Wikel et al.
D703,652 S * 4/2014 Melanson D14/250
D706,253 S * 6/2014 Simmer D14/250
D706,255 S 6/2014 Akana et al.
D712,386 S * 9/2014 Lu D14/250
D714,276 S 9/2014 Hu et al.
D716,294 S 10/2014 Park
D717,781 S * 11/2014 Kim D14/250
D719,565 S * 12/2014 Hirayama D14/341
D721,072 S 1/2015 Laffon de Mazieres et al.
D721,360 S 1/2015 Laffon de Mazieres et al.
D728,549 S 5/2015 Su
D733,154 S 6/2015 Armstrong
D745,524 S 12/2015 Hung
9,220,328 B2 * 12/2015 Magness A45C 11/00
D750,058 S * 2/2016 Choi D14/250
9,264,089 B2 * 2/2016 Tages H04B 1/3888

D753,099 S * 4/2016 Kim D14/250
D755,772 S 5/2016 Sasaki
D762,631 S 8/2016 Kim
D762,633 S 8/2016 Fife
D763,854 S 8/2016 Domke
D765,632 S * 9/2016 Northrup D14/250
D765,636 S * 9/2016 Kanazawa D14/250
D765,637 S * 9/2016 Lay D14/250
D766,885 S * 9/2016 Armstrong D14/250
D769,855 S 10/2016 Deng
D772,211 S * 11/2016 Poon D14/250
D772,857 S * 11/2016 Poon D14/250
D775,100 S 12/2016 Teruyama
D775,617 S 1/2017 Samson
D776,104 S 1/2017 Tien
D776,105 S 1/2017 Han
D777,727 S 1/2017 Maicon
D779,471 S 2/2017 Tien
D780,167 S 2/2017 Tien
D780,741 S 3/2017 Yin
D785,612 S 5/2017 Kim
D786,226 S * 5/2017 Kim D14/248
D786,230 S * 5/2017 Yang D14/250
D788,758 S * 6/2017 Liu D14/250
D794,006 S 8/2017 Dong
D794,626 S 8/2017 Armstrong et al.
D798,287 S 9/2017 Wright et al.
D800,103 S 10/2017 Andre et al.
D800,712 S 10/2017 Lai et al.
D800,716 S 10/2017 Akana et al.
D802,577 S * 11/2017 Ahn D14/250
2012/0325720 A1 12/2012 Tages
2013/0271897 A1 10/2013 Limber
2014/0141846 A1 * 5/2014 Weaver, III H04M 1/04
455/575.1
2015/0068934 A1 3/2015 Armstrong
2016/0021996 A1 1/2016 Tien
2016/0219999 A1 8/2016 Chang

* cited by examiner

FIG. 1

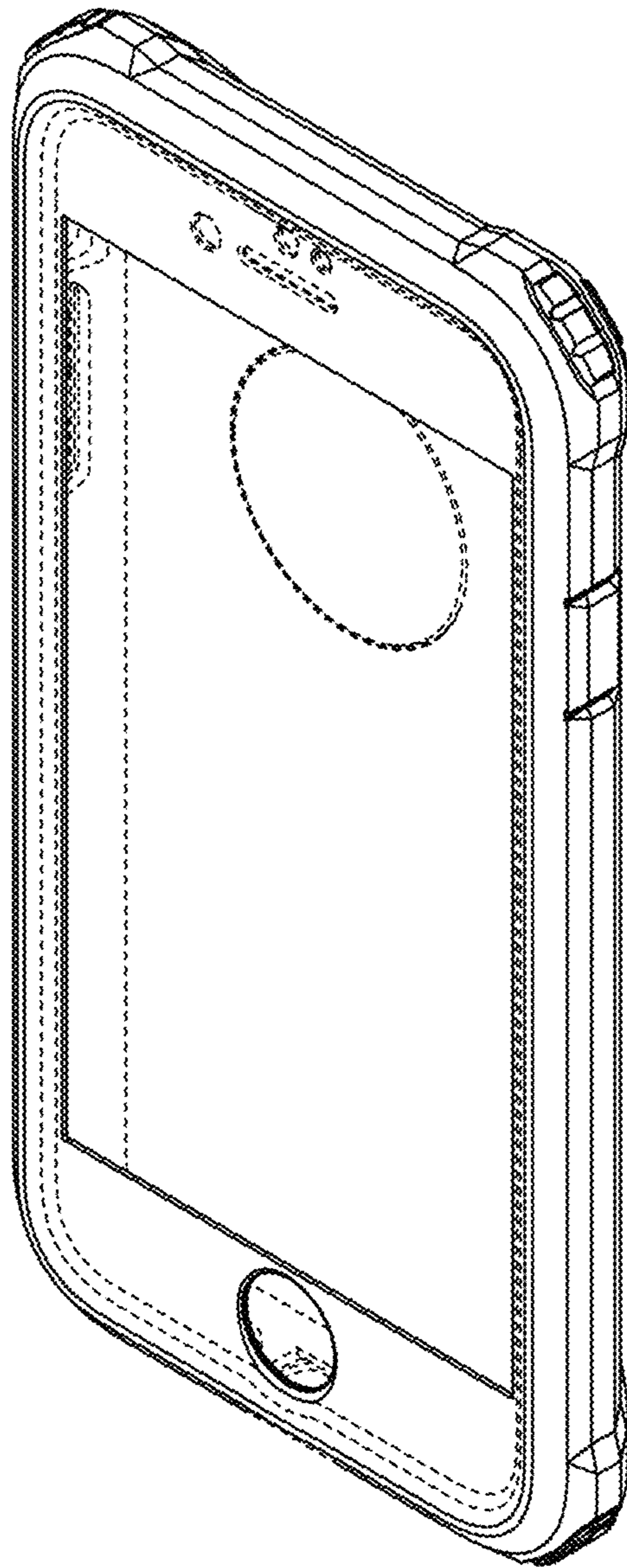


FIG. 2

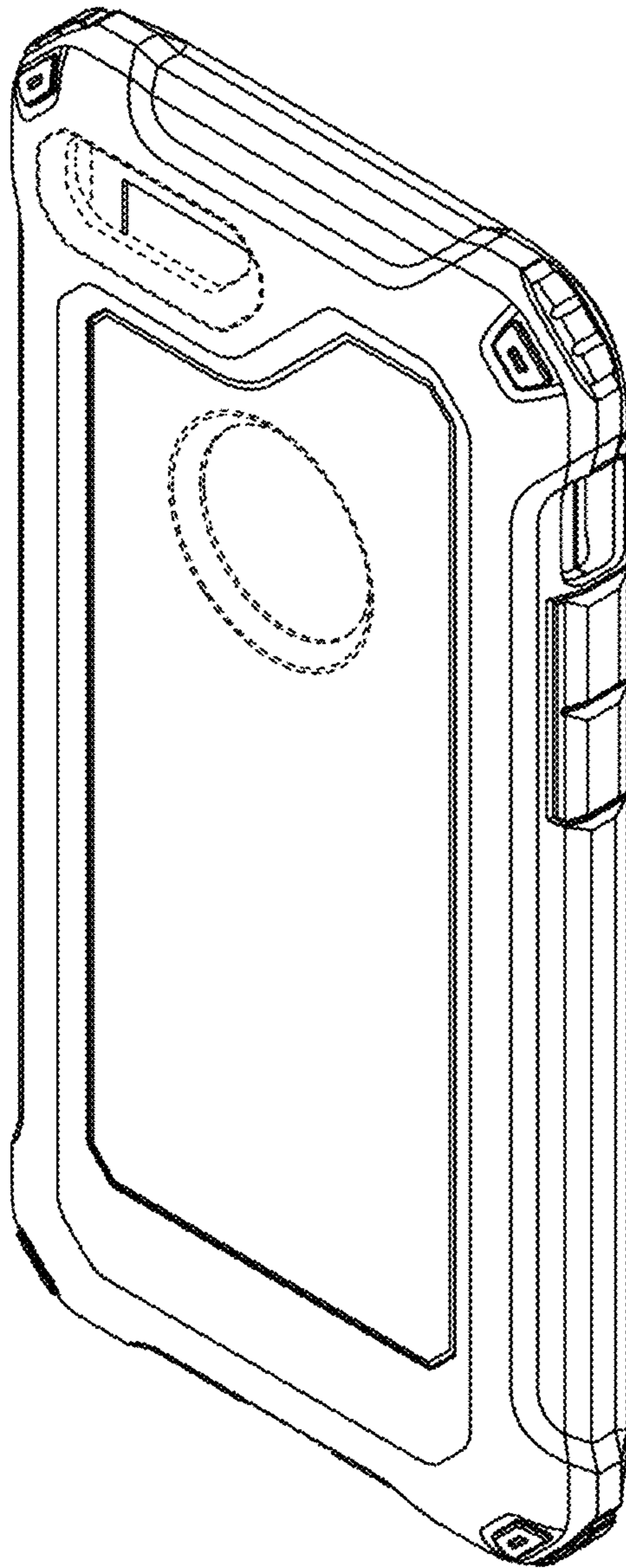


FIG. 3

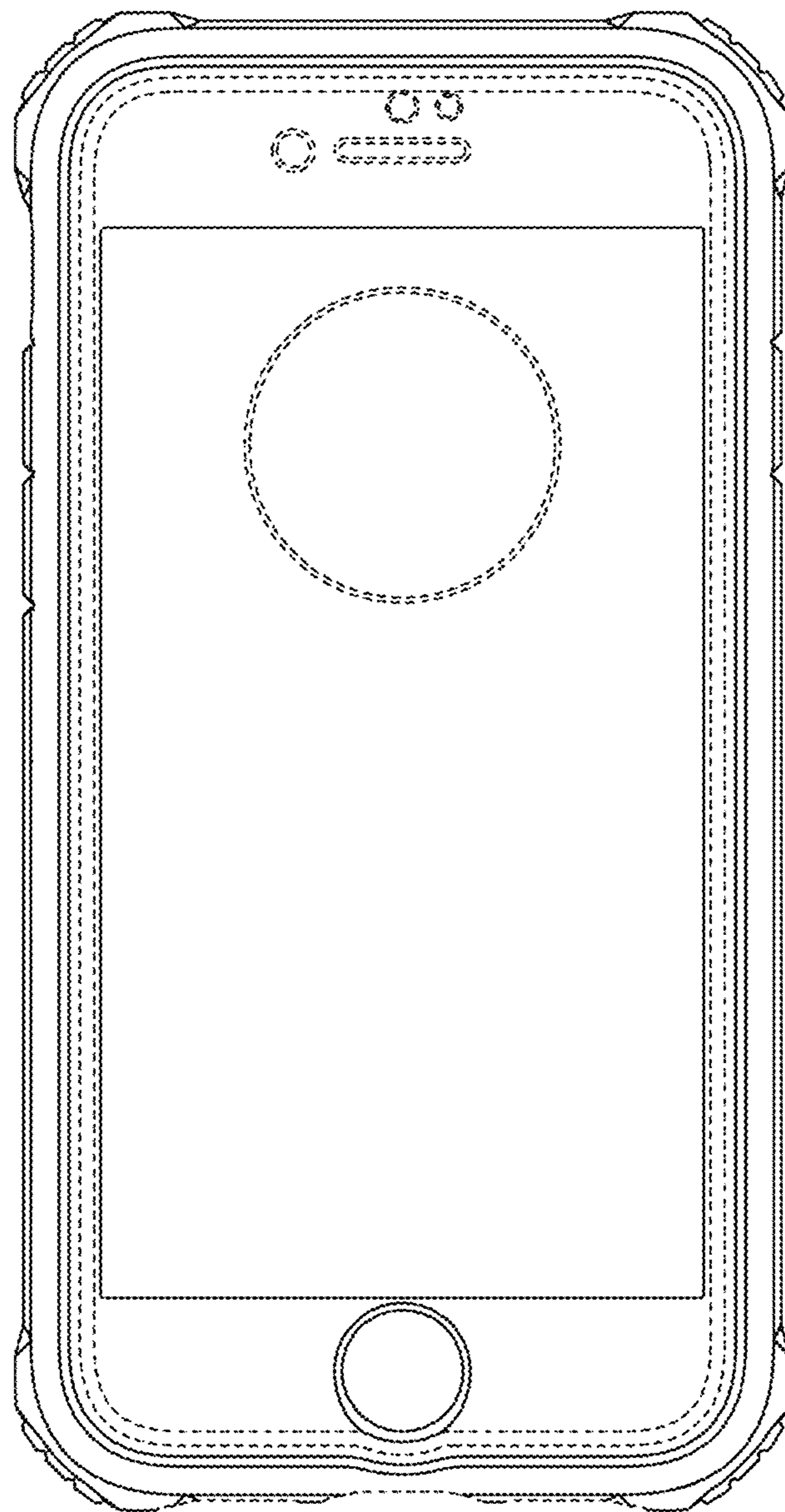


FIG. 4

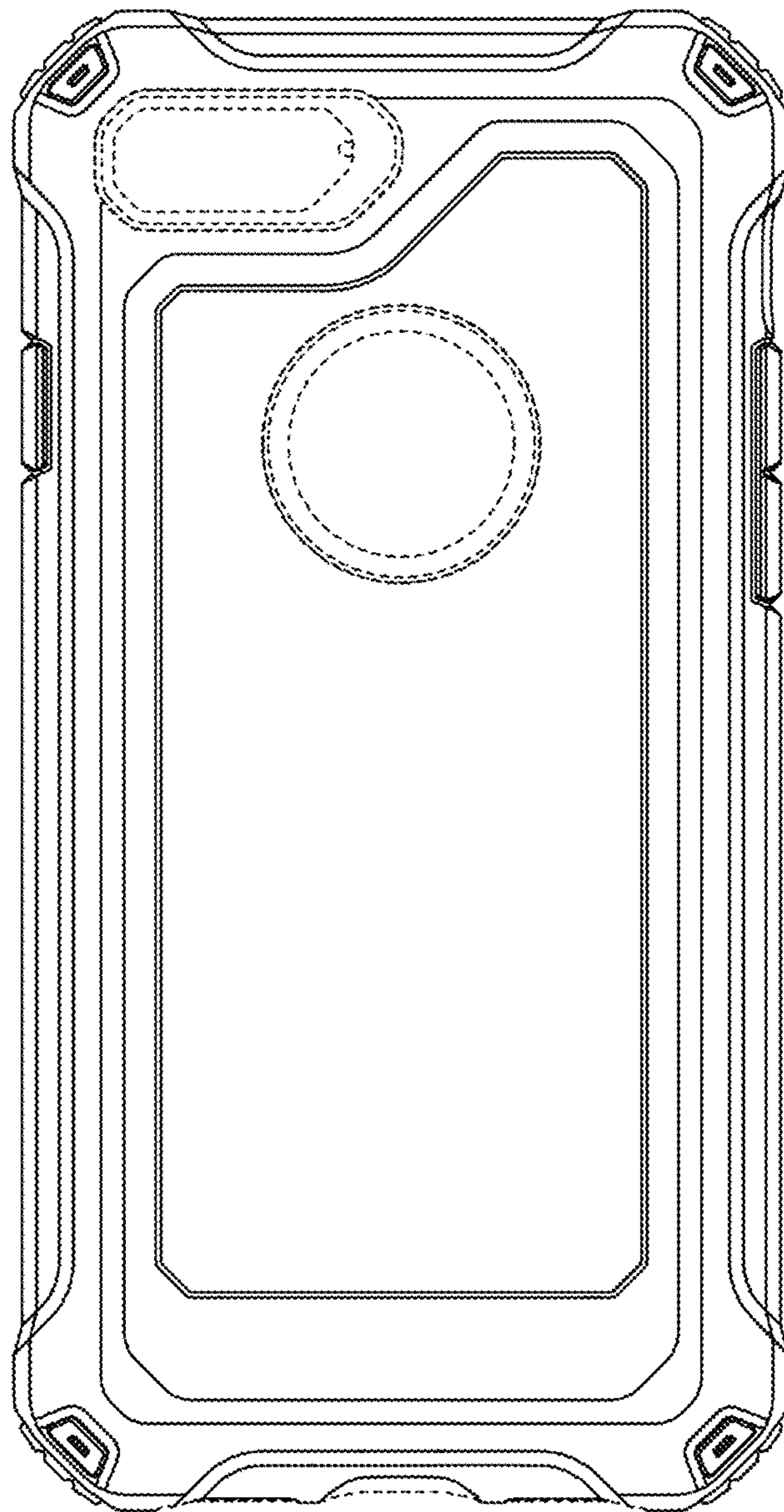


FIG. 5

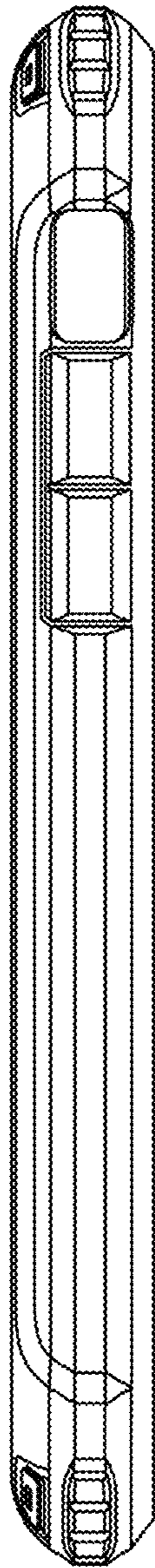


FIG. 6

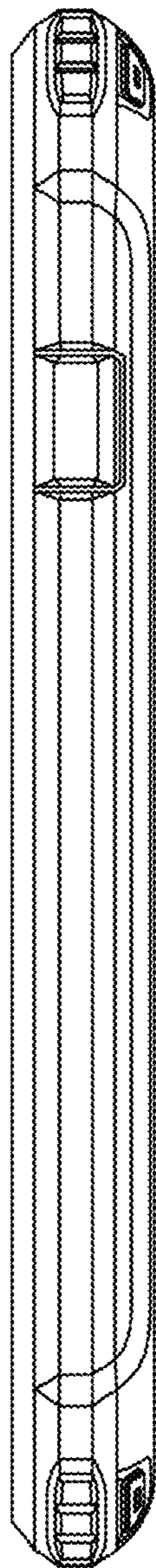


FIG. 7

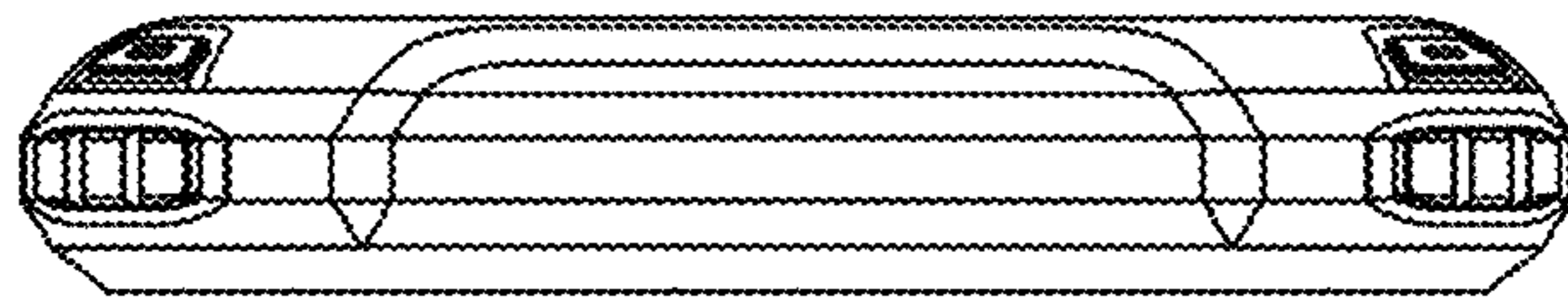


FIG. 8

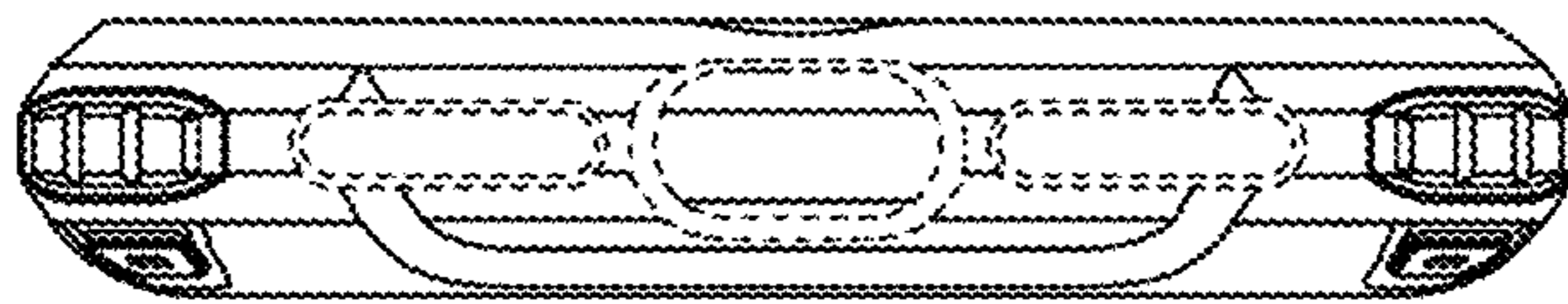


FIG. 9

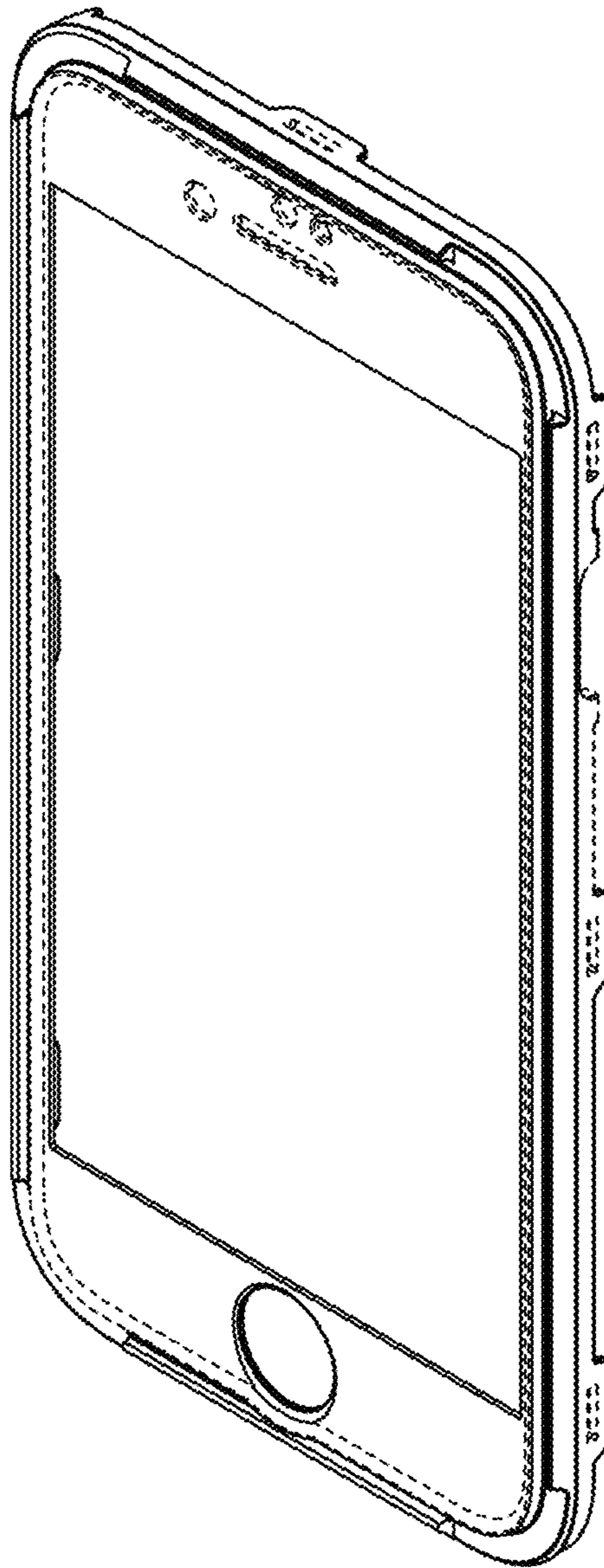


FIG. 10

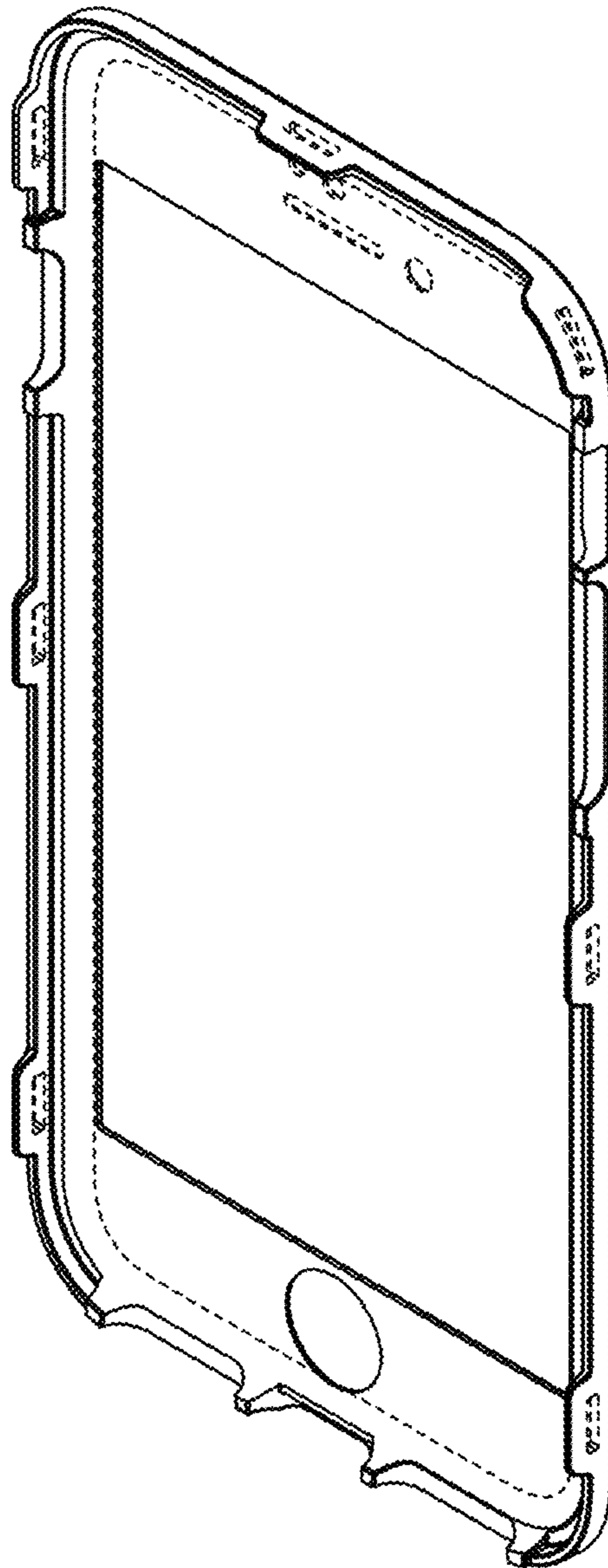


FIG. 11

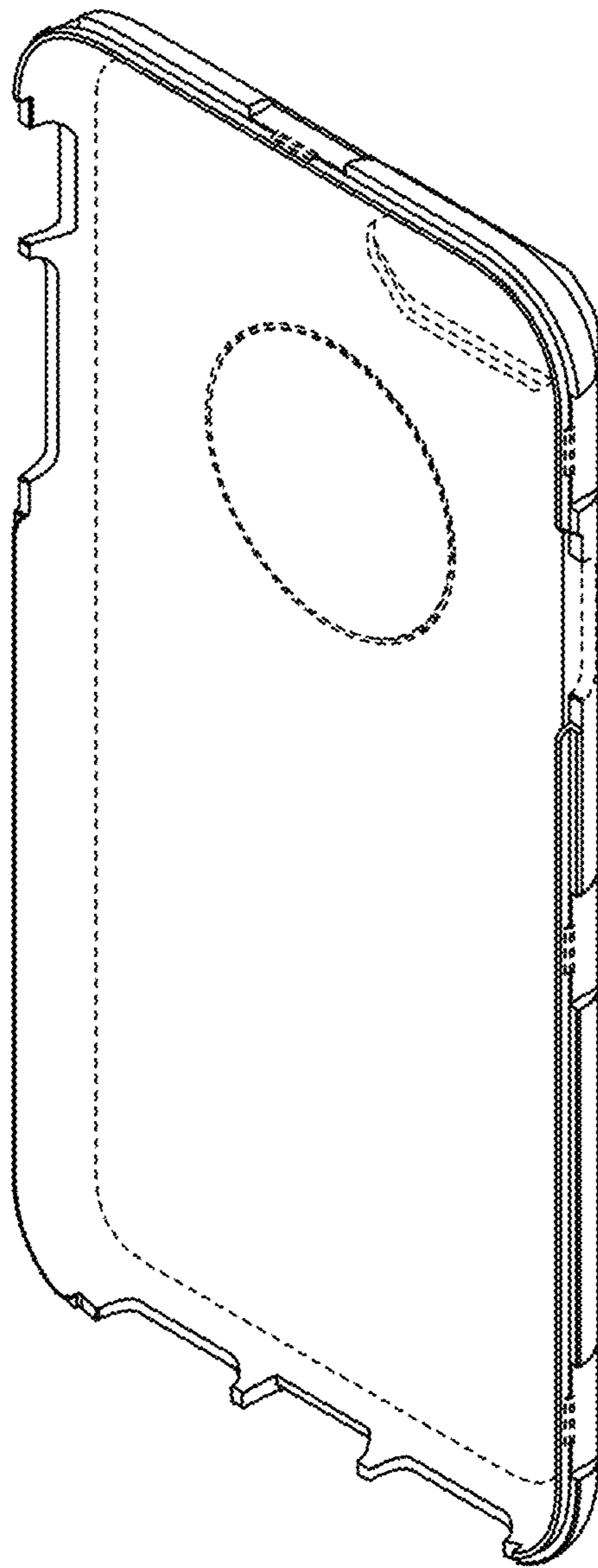


FIG. 12

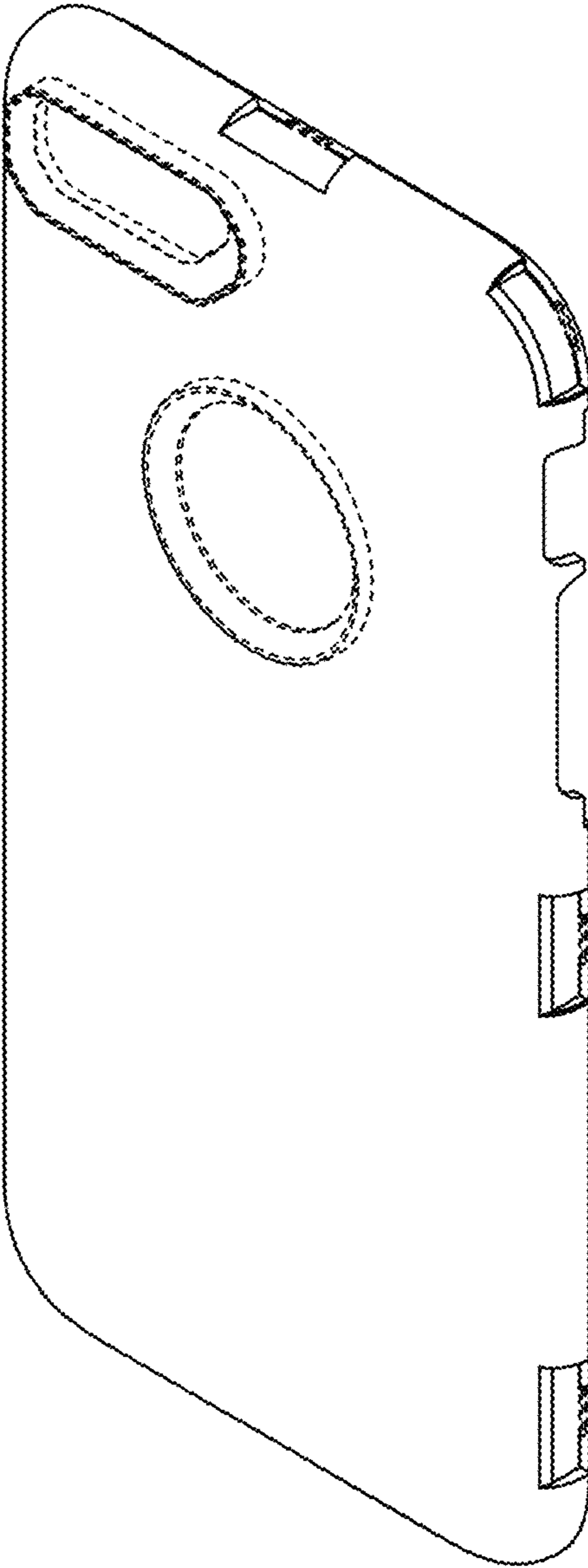


FIG. 13

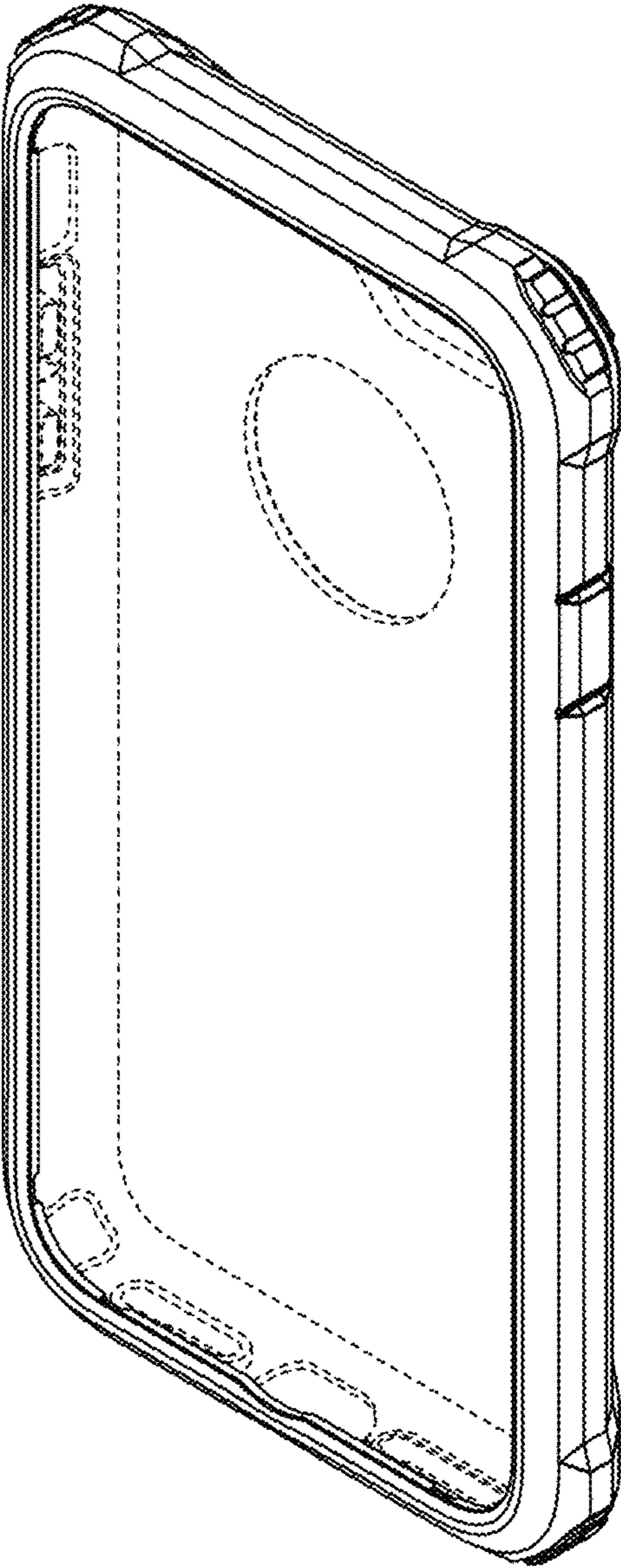


FIG. 14

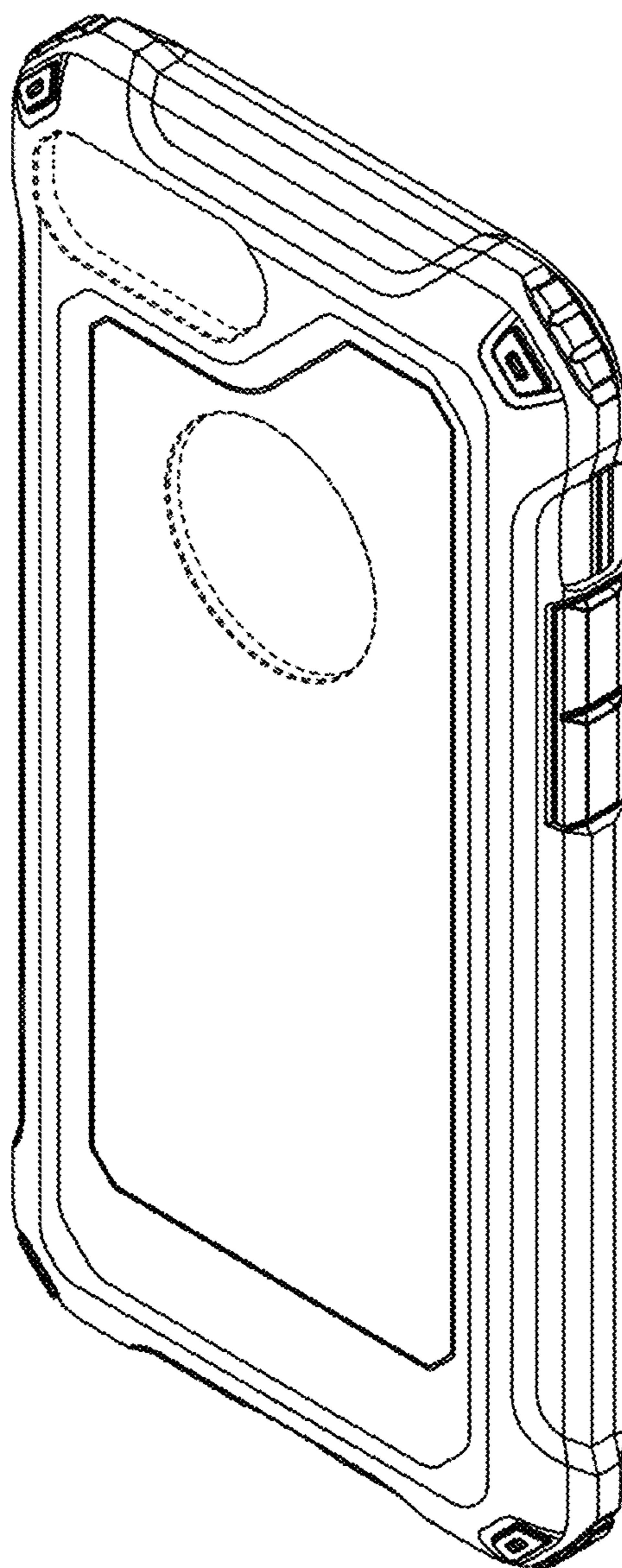


FIG. 15

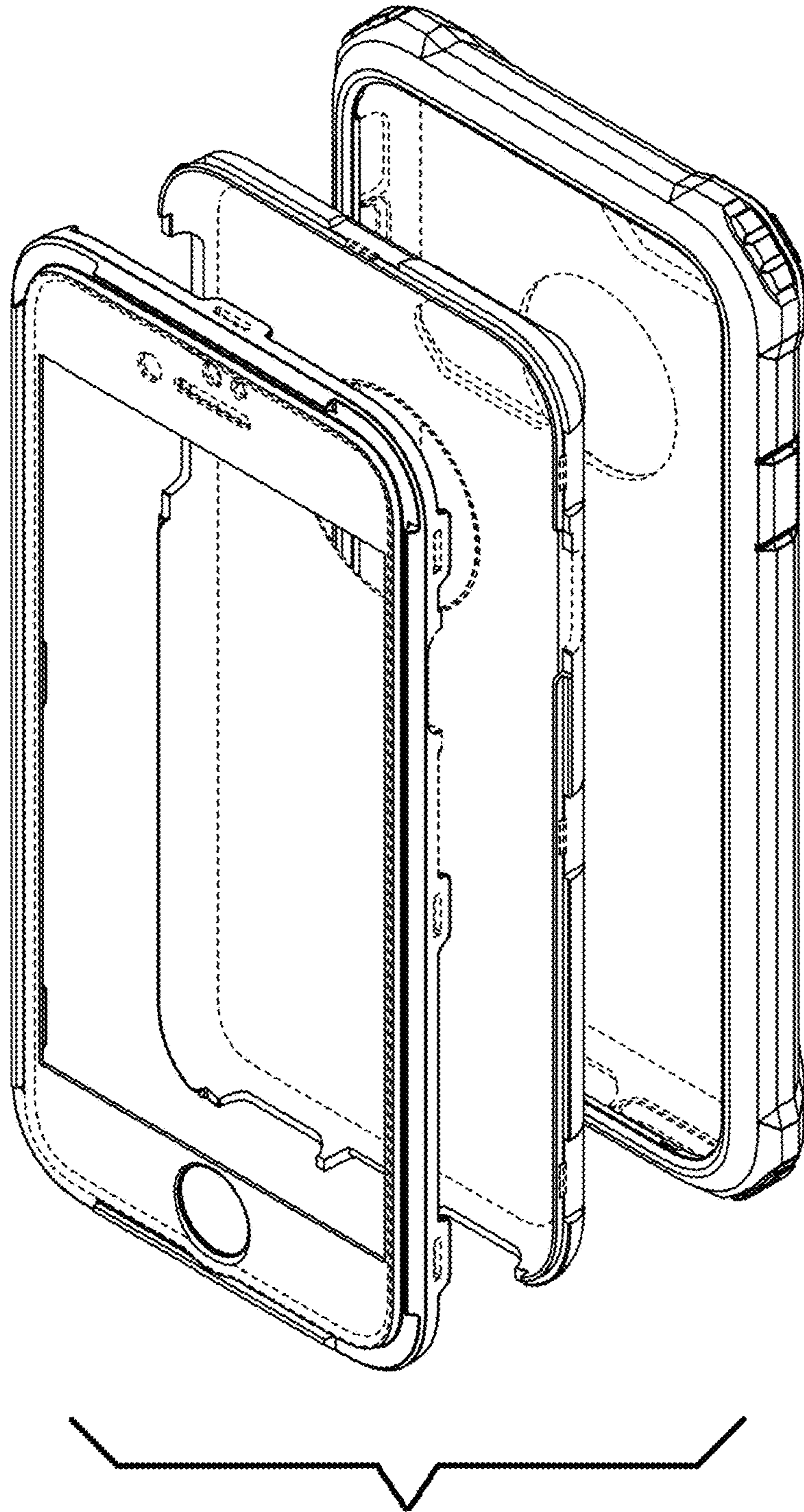


FIG. 16

