



US00D833420S

(12) **United States Design Patent**  
**Lindenberger**

(10) **Patent No.:** **US D833,420 S**

(45) **Date of Patent:** **\*\* Nov. 13, 2018**

(54) **HEADPHONE**

(71) Applicant: **AKG Acoustics GmbH**, Vienna (AT)

(72) Inventor: **Laurent Lindenberger**, Shenzhen (CN)

(73) Assignee: **AKG ACOUSTICS GMBH**, Vienna (AT)

(\*\*) Term: **15 Years**

(21) Appl. No.: **29/608,967**

(22) Filed: **Jun. 27, 2017**

(51) **LOC (11) Cl.** ..... **14-01**

(52) **U.S. Cl.**  
USPC ..... **D14/223**

(58) **Field of Classification Search**  
USPC ..... D14/223, 205; D24/174; 128/864, 865,  
128/866; 181/128, 129, 130, 135;  
379/430, 431; 381/380, 381, 374, 375,  
381/74; 455/90.3, 575.1, 569.1  
CPC ..... H04R 1/10; H04R 25/00; H04R 1/1066;  
H04R 1/1016; H04R 5/033; H04R 5/0335  
See application file for complete search history.

(56) **References Cited**

**U.S. PATENT DOCUMENTS**

1,312,493	A *	8/1919	Theis	.....	A61F 11/14 128/866
1,624,144	A *	4/1927	Mathieu	.....	H04R 1/1016 181/129
1,668,910	A *	5/1928	Jones	.....	H04R 1/1016 181/130
2,377,739	A *	6/1945	Wyckoff	.....	A61F 11/008 181/132
2,595,672	A *	5/1952	Greenwood	.....	H04R 25/65 24/113 MP
2,754,365	A *	7/1956	Walters	.....	H04R 1/225 181/132
2,805,332	A *	9/1957	Bell	.....	H04B 1/088 329/370

2,910,679	A *	10/1959	Baldwin	.....	B60K 28/06 200/61.47
2,964,596	A *	12/1960	Christensen	.....	H04R 25/652 181/129
2,971,065	A *	2/1961	Busse	.....	H04R 25/456 381/104
3,234,467	A *	2/1966	Haveson	.....	H01Q 1/24 334/76
3,324,253	A *	6/1967	Uemura	.....	H04R 11/06 381/189

(Continued)

*Primary Examiner* — Paula Allen Greene

(74) *Attorney, Agent, or Firm* — Plumsea Law Group, LLC

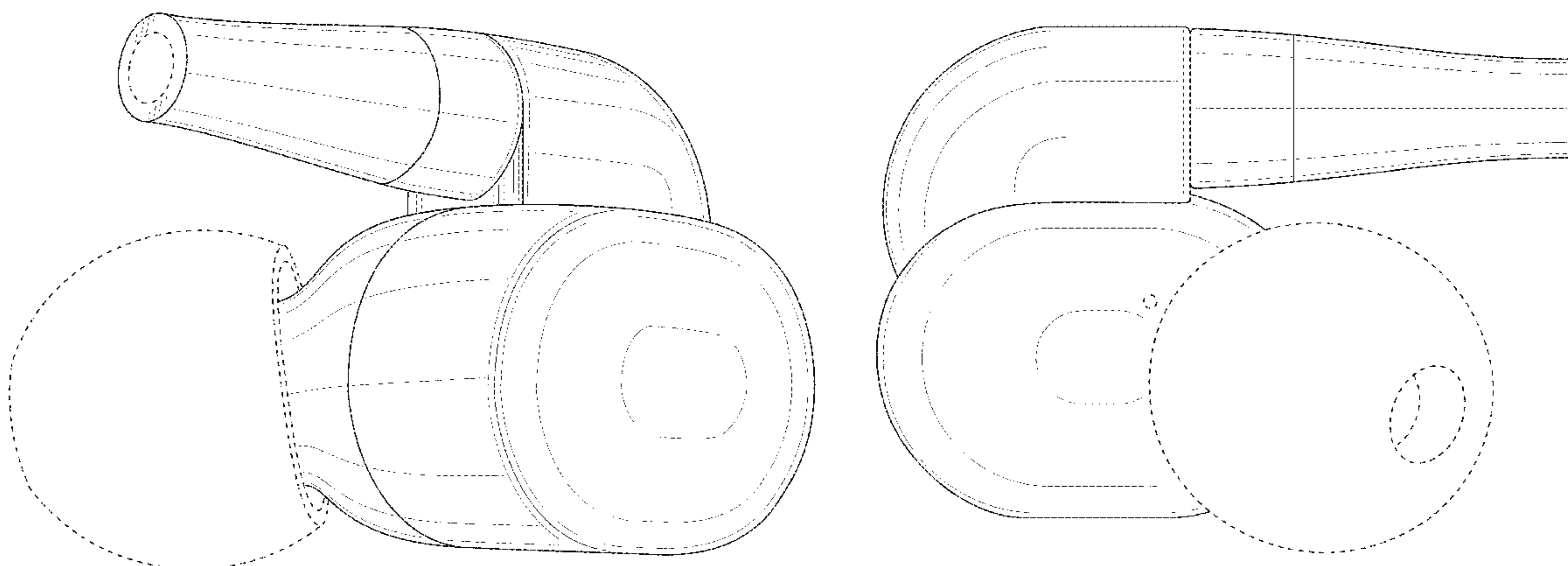
(57) **CLAIM**

The ornamental design for a headphone, as shown and described.

**DESCRIPTION**

FIG. 1 is a perspective view of a headphone, showing a right-handed version;  
 FIG. 2 is an interior perspective view thereof;  
 FIG. 3 is a side elevational view thereof;  
 FIG. 4 is an interior side elevational view thereof;  
 FIG. 5 is a rear elevational view thereof;  
 FIG. 6 is a front elevational view thereof;  
 FIG. 7 is a top plan view thereof;  
 FIG. 8 is a bottom plan view thereof;  
 FIG. 9 is a perspective view of another embodiment of the headphone, showing a left-handed version;  
 FIG. 10 is an interior perspective view thereof;  
 FIG. 11 is a side elevational view thereof;  
 FIG. 12 is an interior side elevational view thereof;  
 FIG. 13 is a rear elevational view thereof;  
 FIG. 14 is a front elevational view thereof;  
 FIG. 15 is a top plan view thereof; and,  
 FIG. 16 is a bottom plan view thereof.  
 The broken line showings form no part of the claimed design.

**1 Claim, 16 Drawing Sheets**



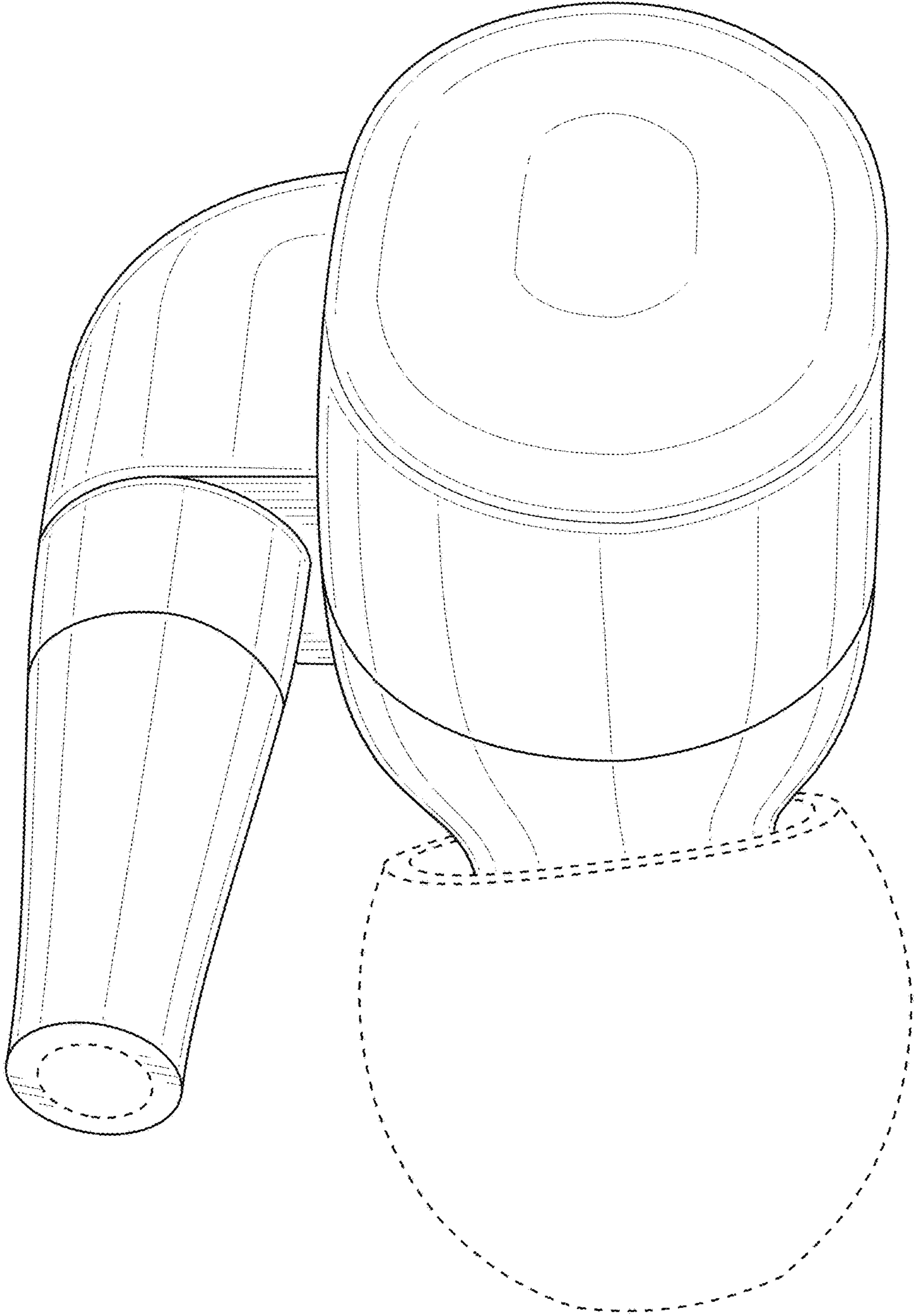
(56)

## References Cited

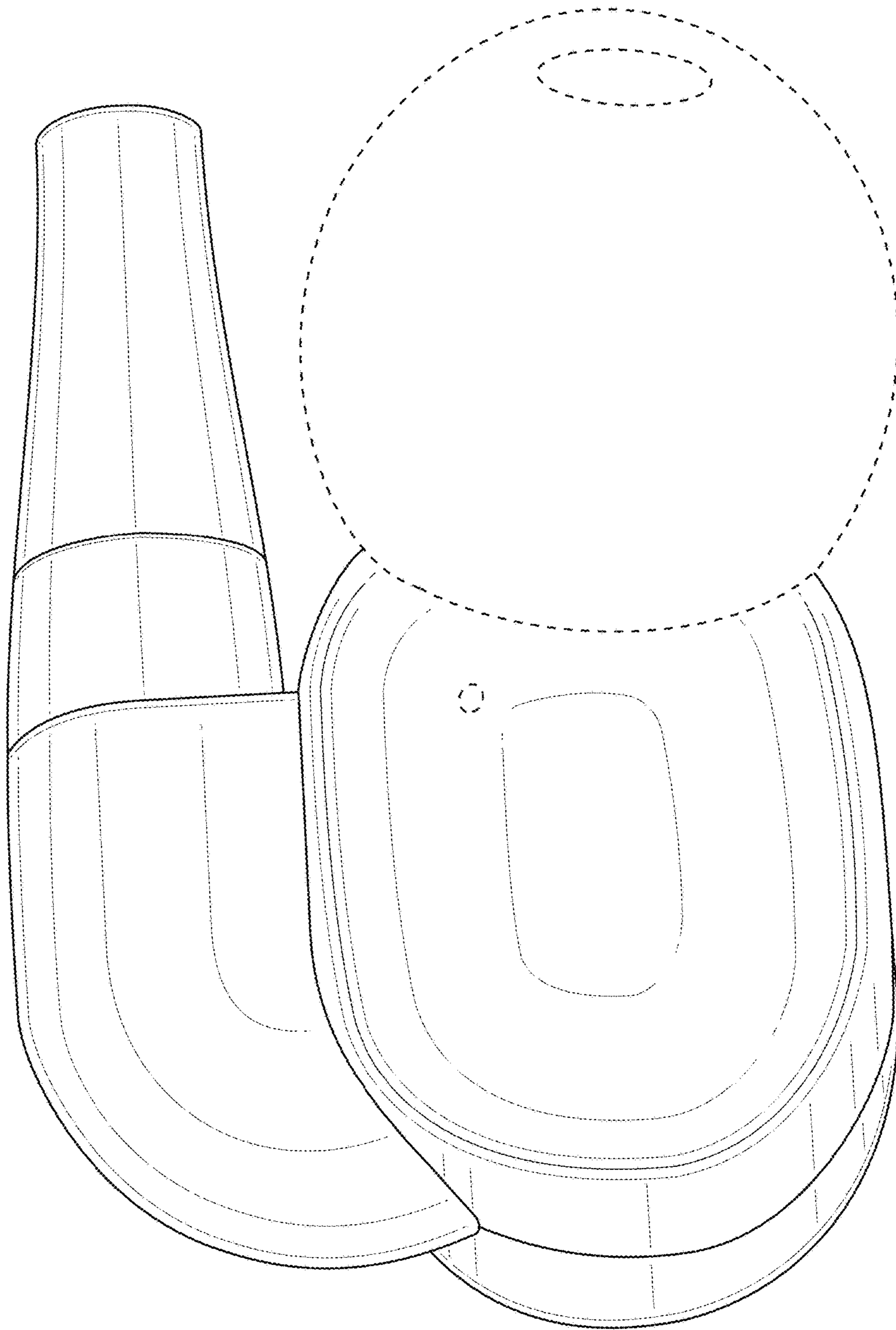
## U.S. PATENT DOCUMENTS

3,440,365	A *	4/1969	Hazell	.....	H04M 1/05	379/430	D554,627	S *	11/2007	Gondo	.....	D14/223
3,457,375	A *	7/1969	Haggerty	.....	H04R 25/456	381/322	D567,217	S *	4/2008	Kamo	.....	D14/205
D215,675	S *	10/1969	Yran	.....	D13/114		D586,332	S *	2/2009	Ewert	.....	D14/223
3,730,181	A *	5/1973	Fling	.....	A61F 11/08	128/868	D588,111	S *	3/2009	Komiyama	.....	D14/223
3,821,647	A *	6/1974	Minasian	.....	H03D 1/10	381/380	D593,997	S *	6/2009	Mauritzsson	.....	D14/205
D236,988	S *	9/1975	Walters	.....	D14/223		D603,380	S *	11/2009	Hutchieson	.....	D14/223
4,069,400	A *	1/1978	Johanson	.....	H04R 25/60	381/322	D611,934	S *	3/2010	Schaefer	.....	D14/223
4,335,281	A *	6/1982	Scott	.....	H04M 1/05	379/430	D637,997	S *	5/2011	Peller	.....	D14/205
4,457,396	A *	7/1984	James	.....	H04R 1/345	181/129	D637,999	S *	5/2011	Brunner	.....	D14/205
4,539,708	A *	9/1985	Norris	.....	H04B 1/088	455/100	D641,010	S *	7/2011	Kwon	.....	D14/223
4,585,089	A *	4/1986	Topholm	.....	H04R 25/65	181/130	D643,416	S *	8/2011	Chong	.....	D14/223
4,617,431	A *	10/1986	Scott	.....	H04M 1/05	181/20	D652,817	S *	1/2012	Lee	.....	D14/205
D287,764	S *	1/1987	Topholm	.....	D24/174		D652,822	S *	1/2012	Lee	.....	D14/223
D287,765	S *	1/1987	Topholm	.....	D24/174		D654,056	S *	2/2012	Hoggarth	.....	D14/205
D295,173	S *	4/1988	Oren	.....	D14/168		D666,581	S *	9/2012	Perez	.....	D14/223
4,736,435	A *	4/1988	Yokoyama	.....	H04R 9/10	381/322	8,275,166	B2 *	9/2012	Wu	.....	H04R 25/00
4,917,504	A *	4/1990	Scott	.....	H04M 1/05	381/330						
4,965,838	A *	10/1990	Kannon	.....	H04R 1/1016	381/322	D685,764	S *	7/2013	Coulter	.....	D14/205
D315,350	S *	3/1991	Ikeda	.....	D14/223		D699,226	S *	2/2014	Yoon	.....	D14/206
5,054,079	A *	10/1991	Frielingsdorf	.....	H04R 1/46	379/430	8,776,801	B2 *	7/2014	McIntosh	.....	A61F 11/08
D321,881	S *	11/1991	Hopewell	.....	D14/192							
D363,487	S *	10/1995	Thurnau	.....	D14/224		D711,356	S *	8/2014	Yang	.....	D14/223
5,867,582	A *	2/1999	Nagayoshi	.....	H04R 1/1075	381/370	D719,550	S *	12/2014	Yang	.....	D14/223
6,122,388	A *	9/2000	Feldman	.....	H04R 25/604	381/322	D725,082	S *	3/2015	Palmborg	.....	D14/223
6,427,018	B1 *	7/2002	Keliiliki	.....	H04R 1/1066	381/370	8,983,108	B2 *	3/2015	Ho	.....	H04R 1/1016
D481,709	S *	11/2003	Solderits	.....	D14/223							
6,704,429	B2 *	3/2004	Lin	.....	H04R 1/1016	181/130	D726,145	S *	4/2015	Hsieh	.....	D14/205
D505,411	S *	5/2005	Sakai	.....	D14/192		D727,871	S *	4/2015	Orbach	.....	D14/205
D519,108	S *	4/2006	Yang	.....	D14/223		D733,102	S *	6/2015	Palmborg	.....	D14/223
7,120,267	B2 *	10/2006	Ito	.....	H04M 1/05	381/375	D735,169	S *	7/2015	Shieh	.....	D14/223
							9,087,506	B1 *	7/2015	Kraft	.....	G10L 21/0232
							9,131,308	B2 *	9/2015	Kraft	.....	G10L 21/0232
							D742,861	S *	11/2015	Miyake	.....	D14/223
							D764,445	S *	8/2016	Czaniecki	.....	D14/223
							D773,032	S *	11/2016	Palmborg	.....	D24/106
							D775,108	S *	12/2016	Hsieh	.....	D14/223
							D777,149	S *	1/2017	Bonahoom	.....	D14/223
							D777,710	S *	1/2017	Palmborg	.....	D14/223
							9,565,491	B2 *	2/2017	Baker	.....	H04R 1/1083
							D781,269	S *	3/2017	Choe	.....	D14/223
							D782,997	S *	4/2017	Shin	.....	D14/205
							D782,998	S *	4/2017	Shin	.....	D14/205
							D798,843	S *	10/2017	Valenzuela	.....	D14/223
							D815,069	S *	4/2018	Xiong	.....	D14/223
							D816,637	S *	5/2018	Hardi	.....	D14/205
							D817,309	S *	5/2018	Czaniecki	.....	D14/223
							2007/0263896	A1 *	11/2007	Chen	.....	H04R 1/105
							2011/0142276	A1 *	6/2011	Uchida	.....	H04R 1/1075
							2013/0170692	A1 *	7/2013	Kaneko	.....	H04R 1/1016
							2017/0026738	A1 *	1/2017	Tang	.....	H04R 1/1091

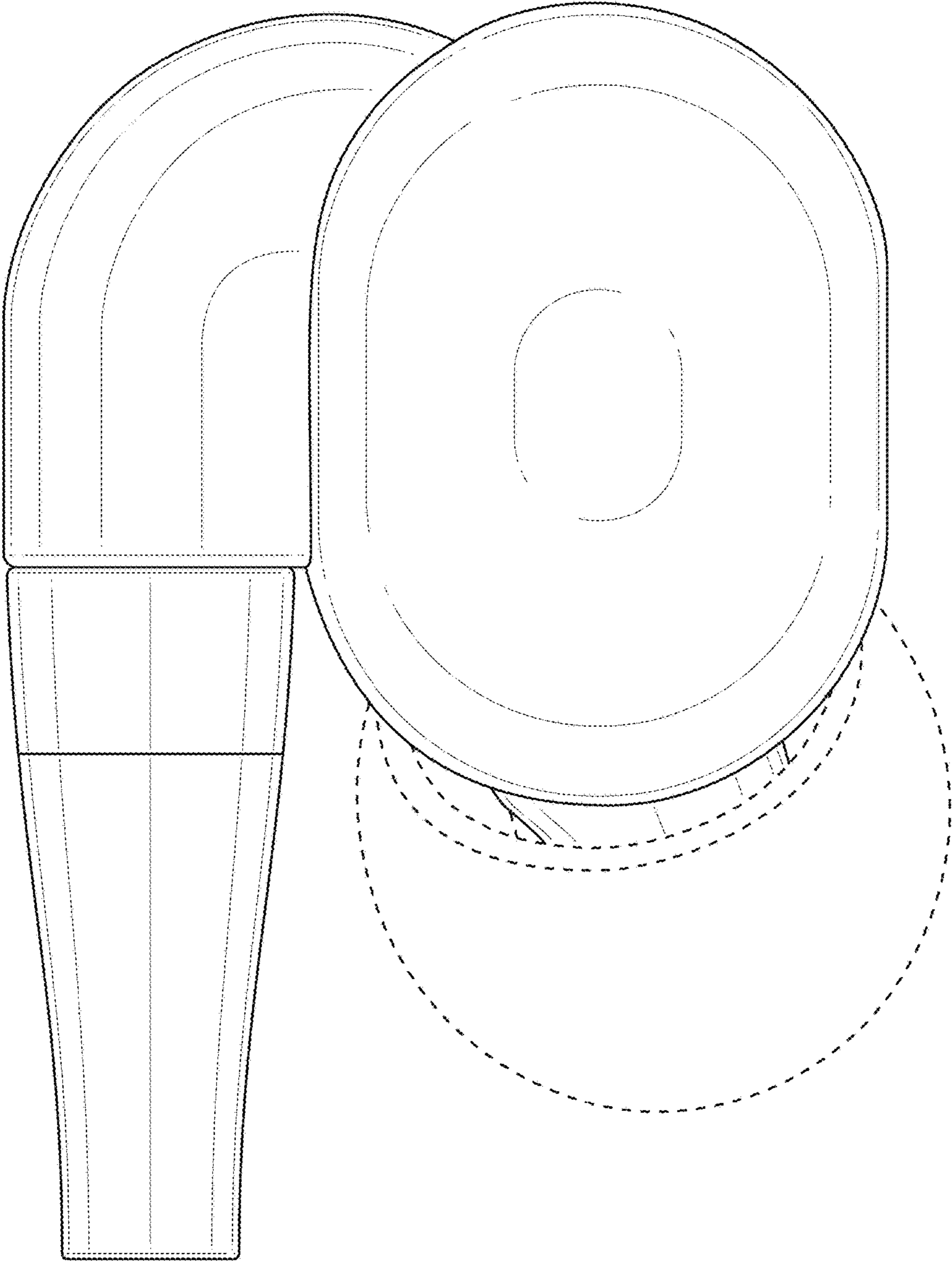
\* cited by examiner



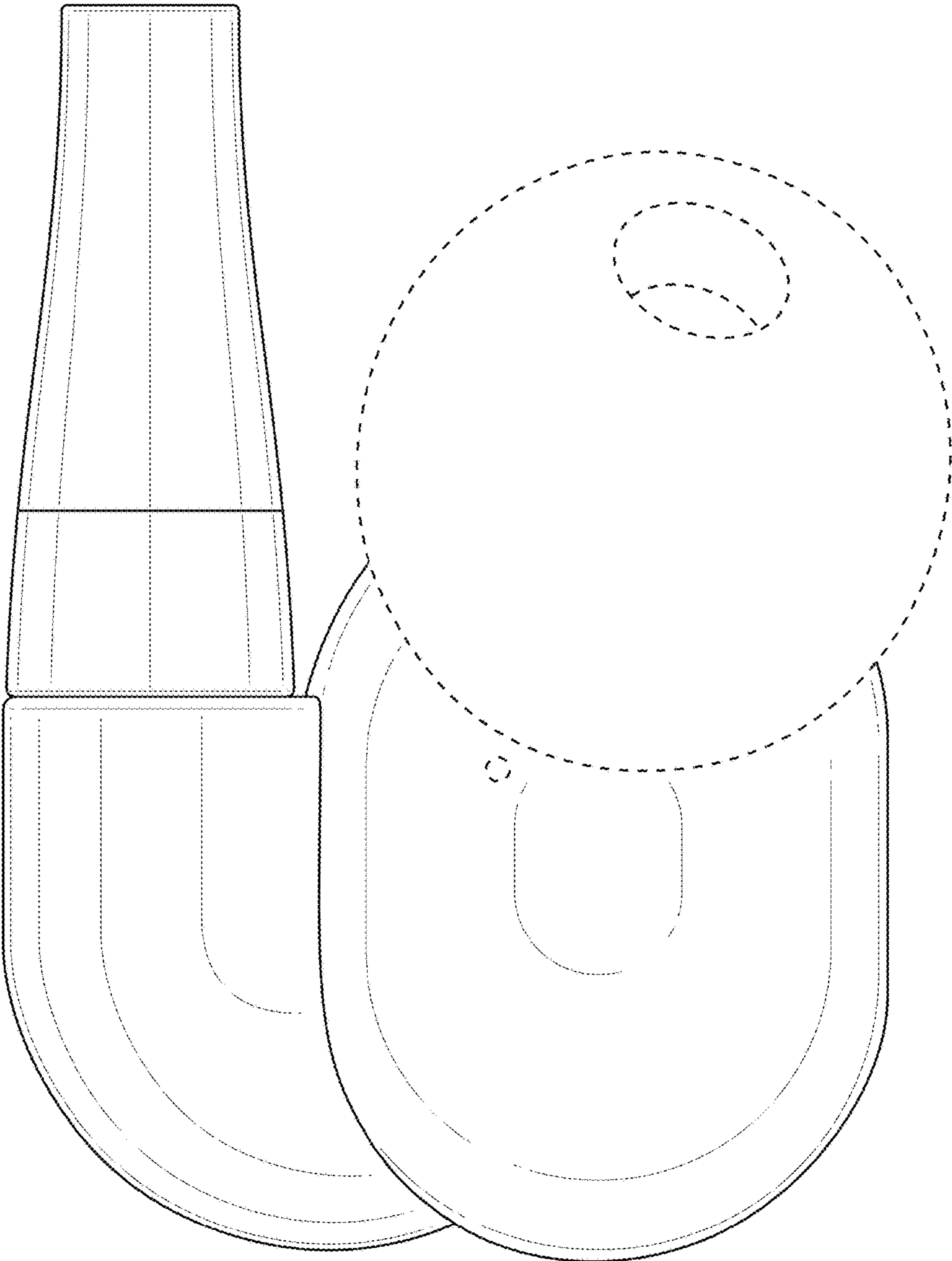
**FIG. 1**



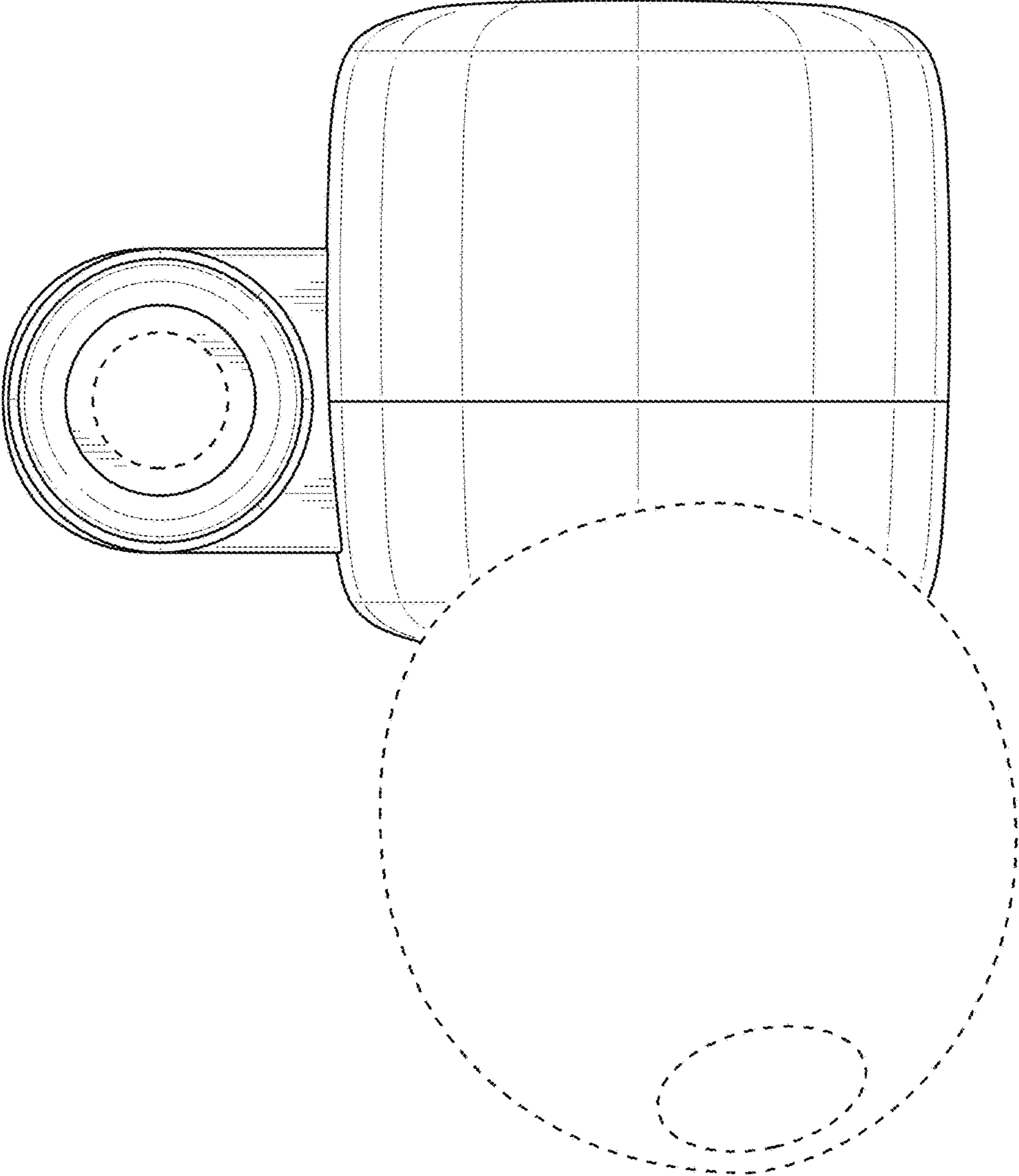
**FIG. 2**



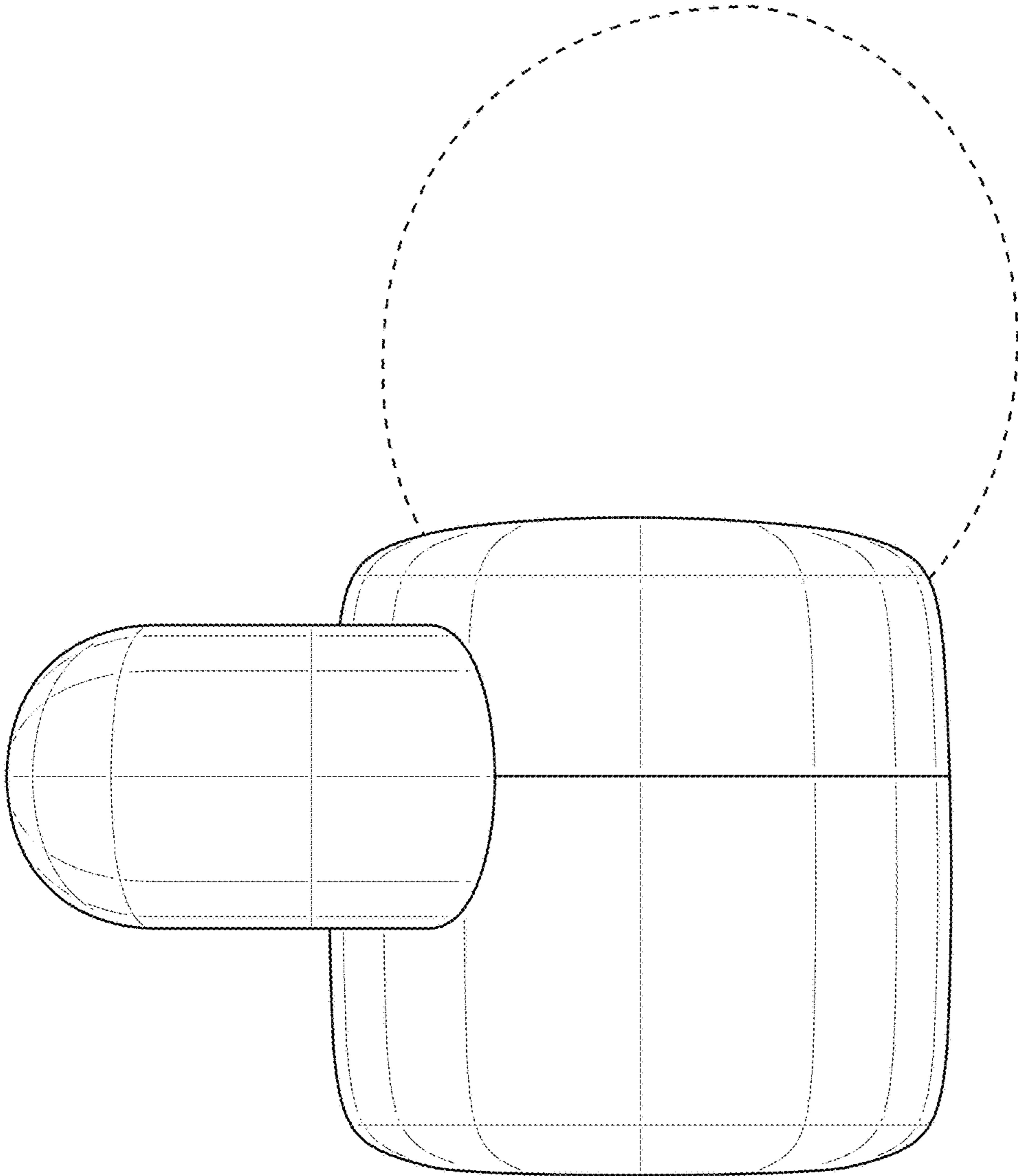
**FIG. 3**



**FIG. 4**

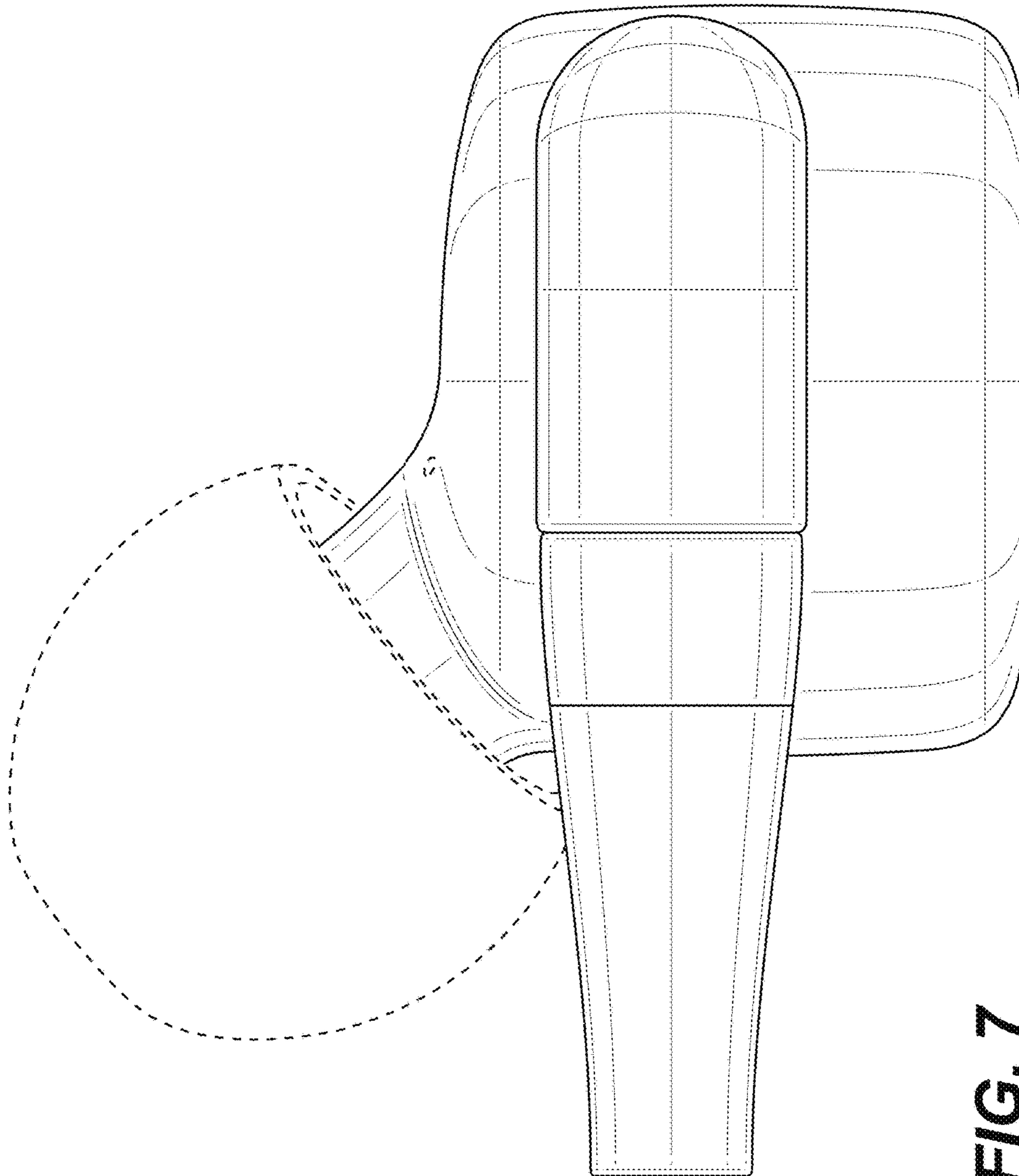


**FIG. 5**

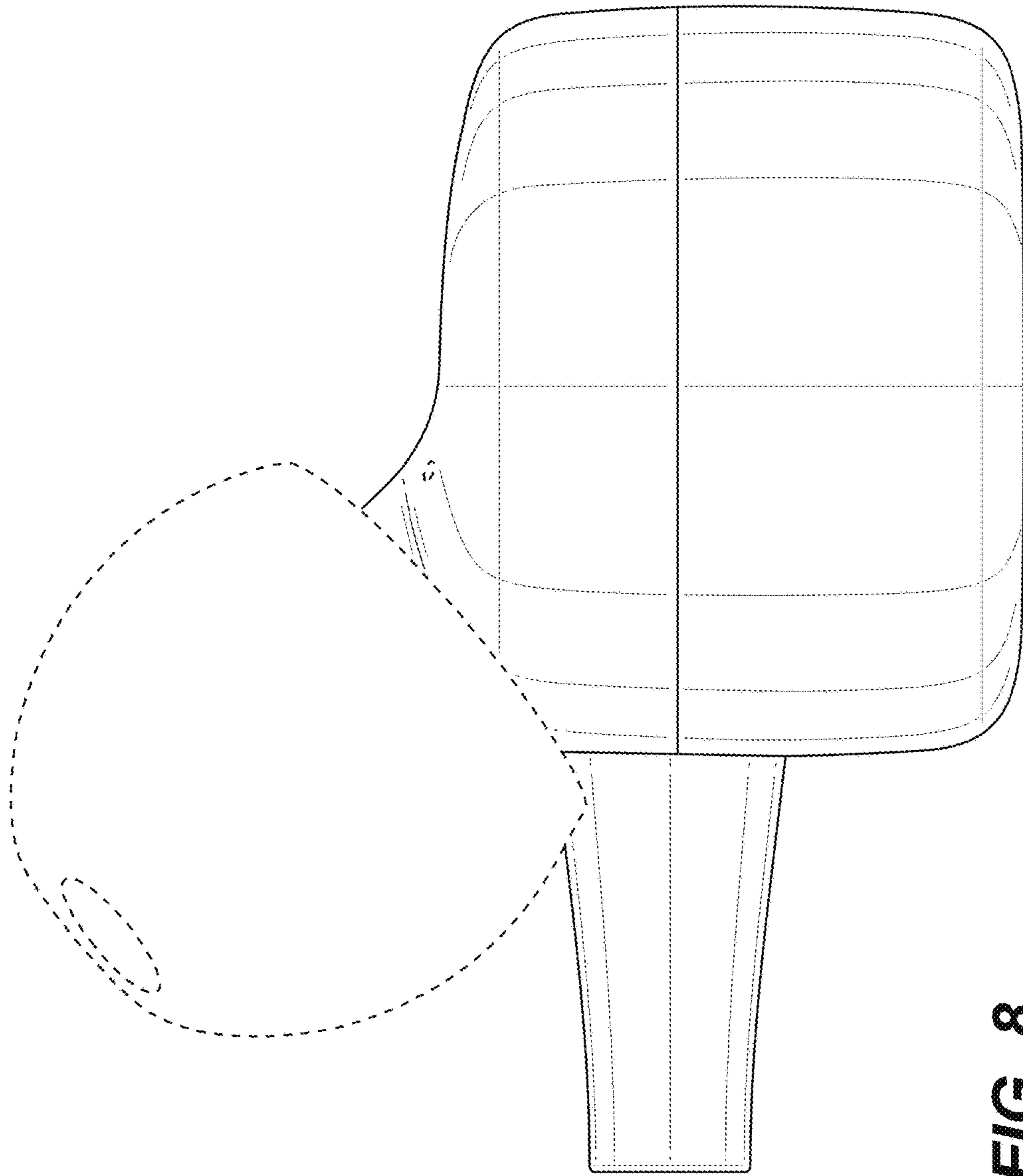


**FIG. 6**

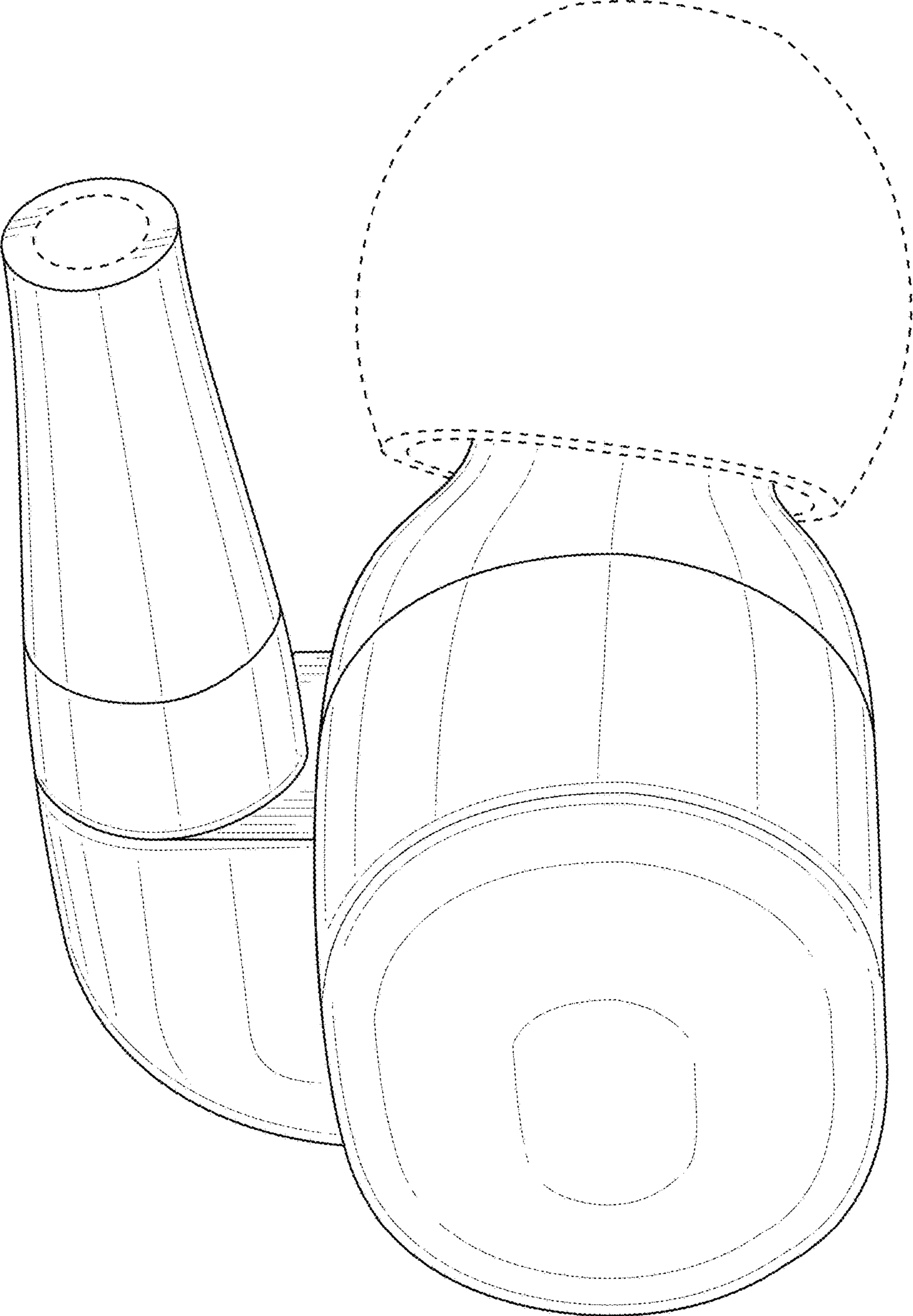




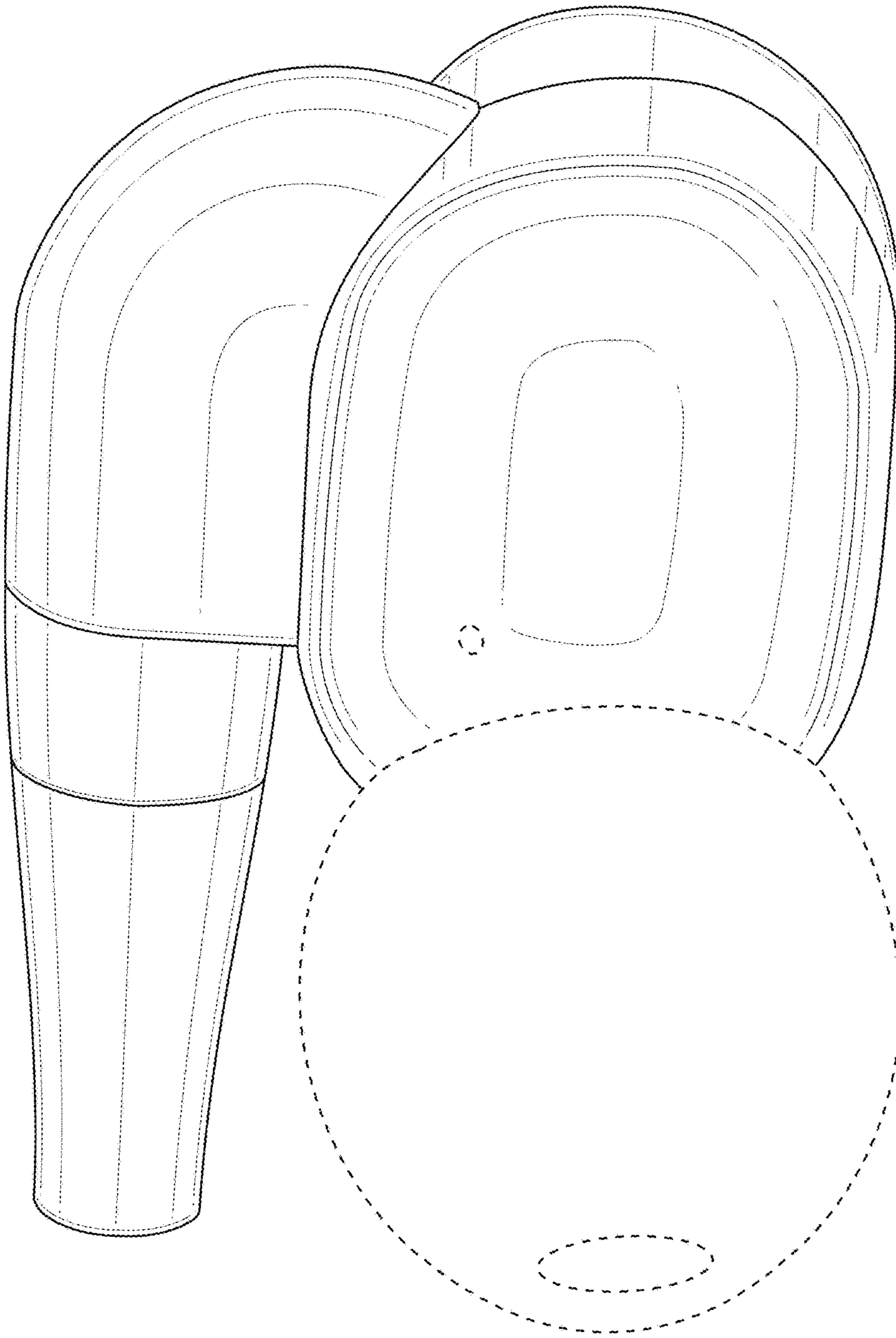
**FIG. 7**



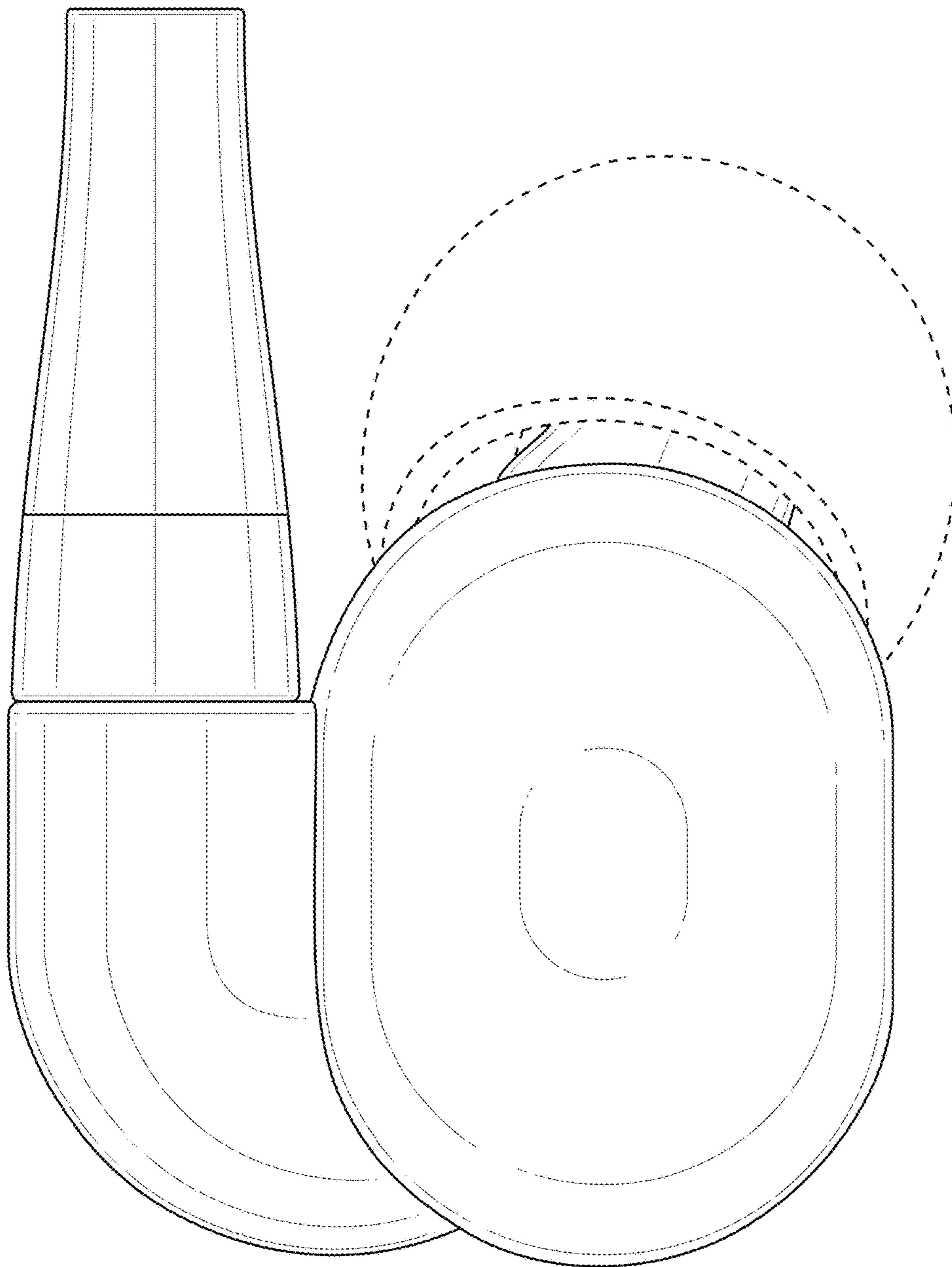
**FIG. 8**



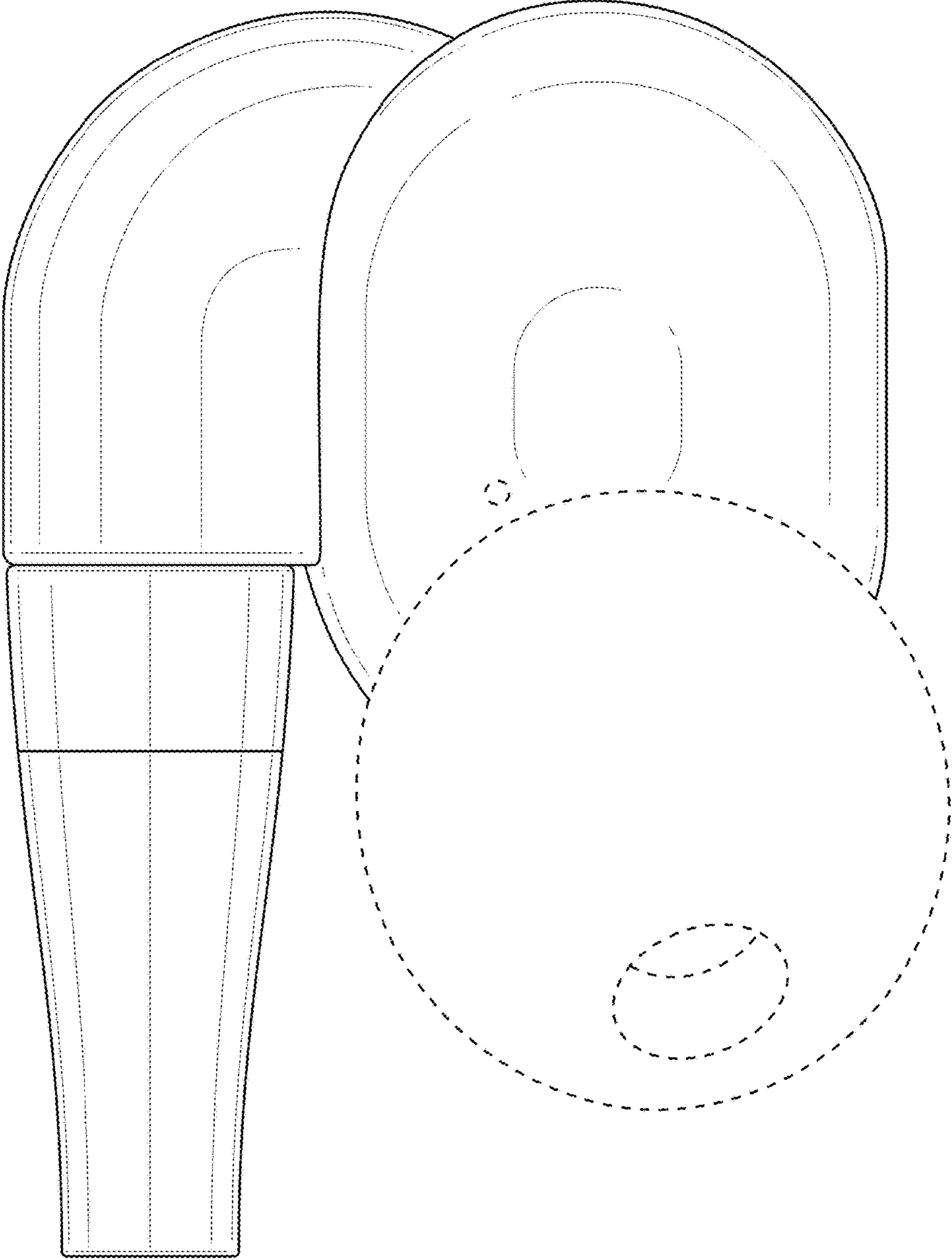
**FIG. 9**



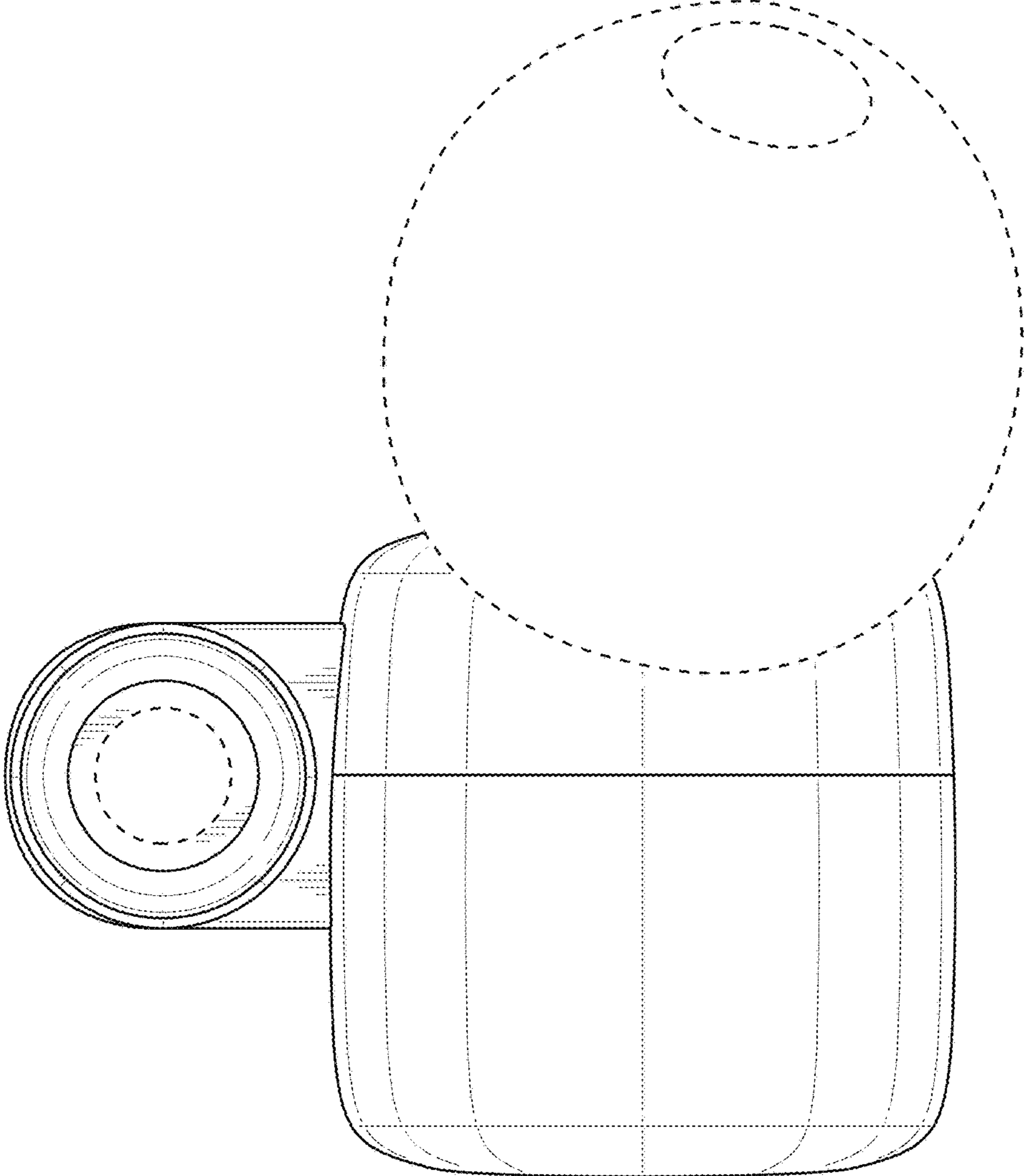
**FIG. 10**



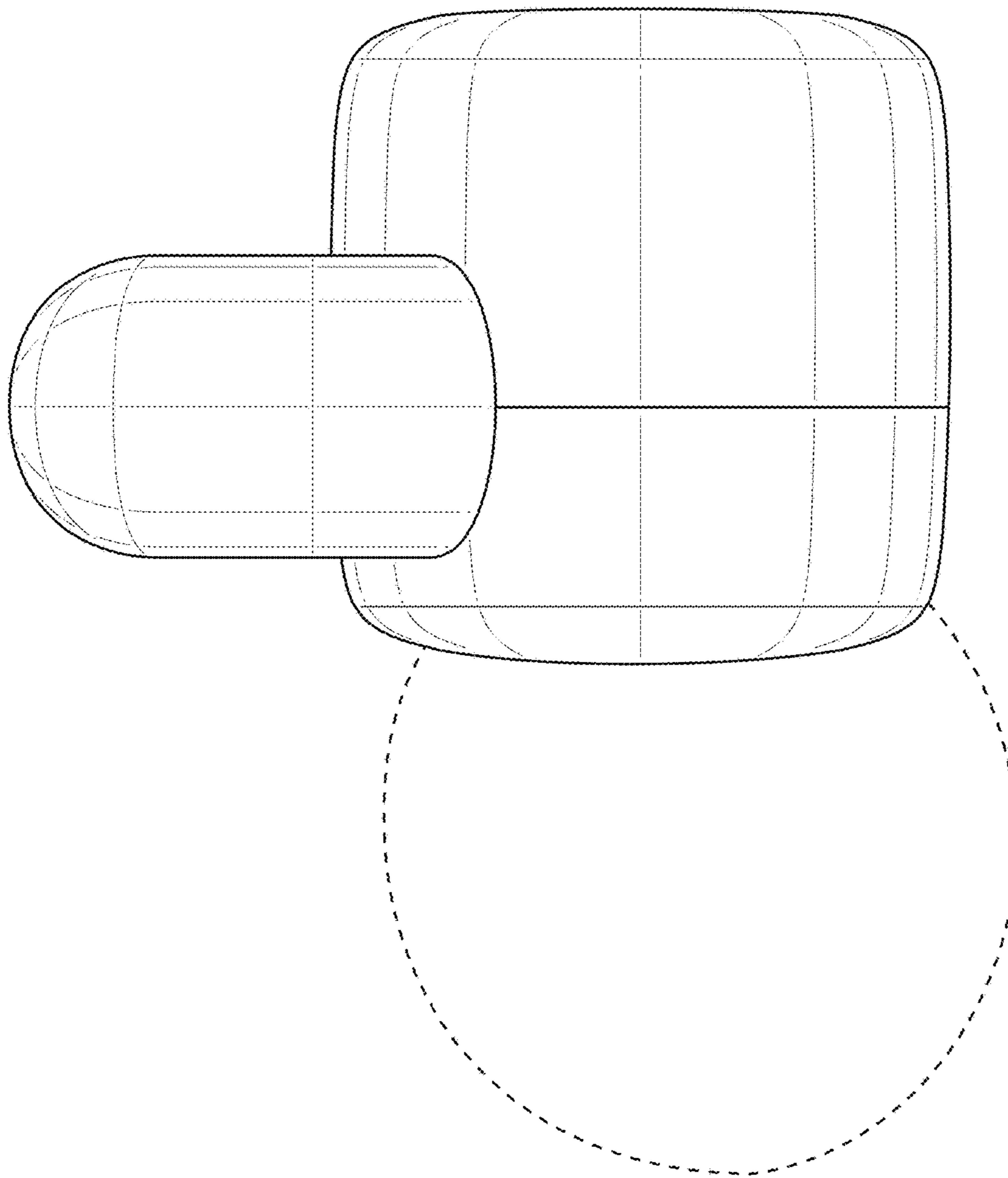
**FIG. 11**



**FIG. 12**

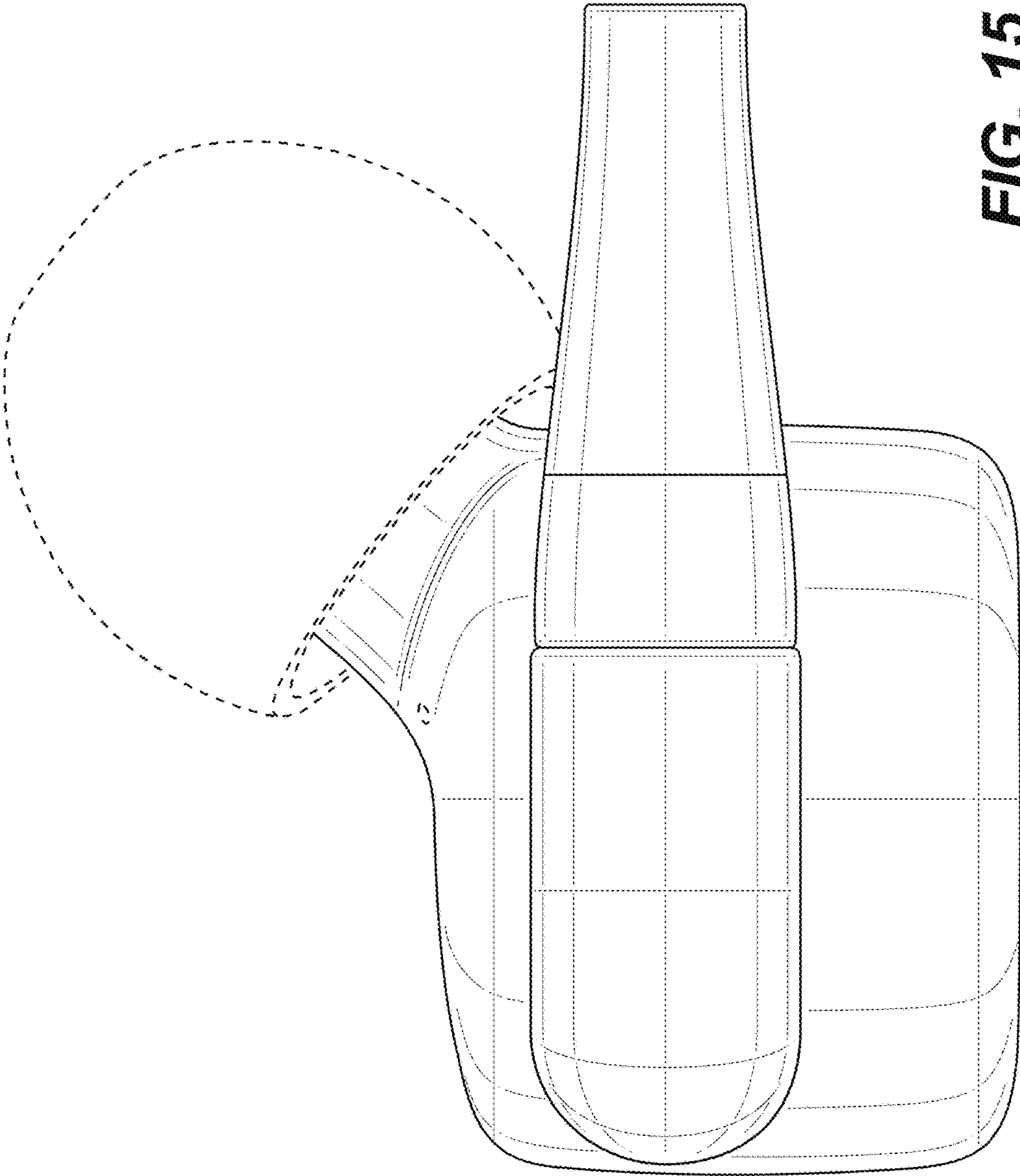


**FIG. 13**

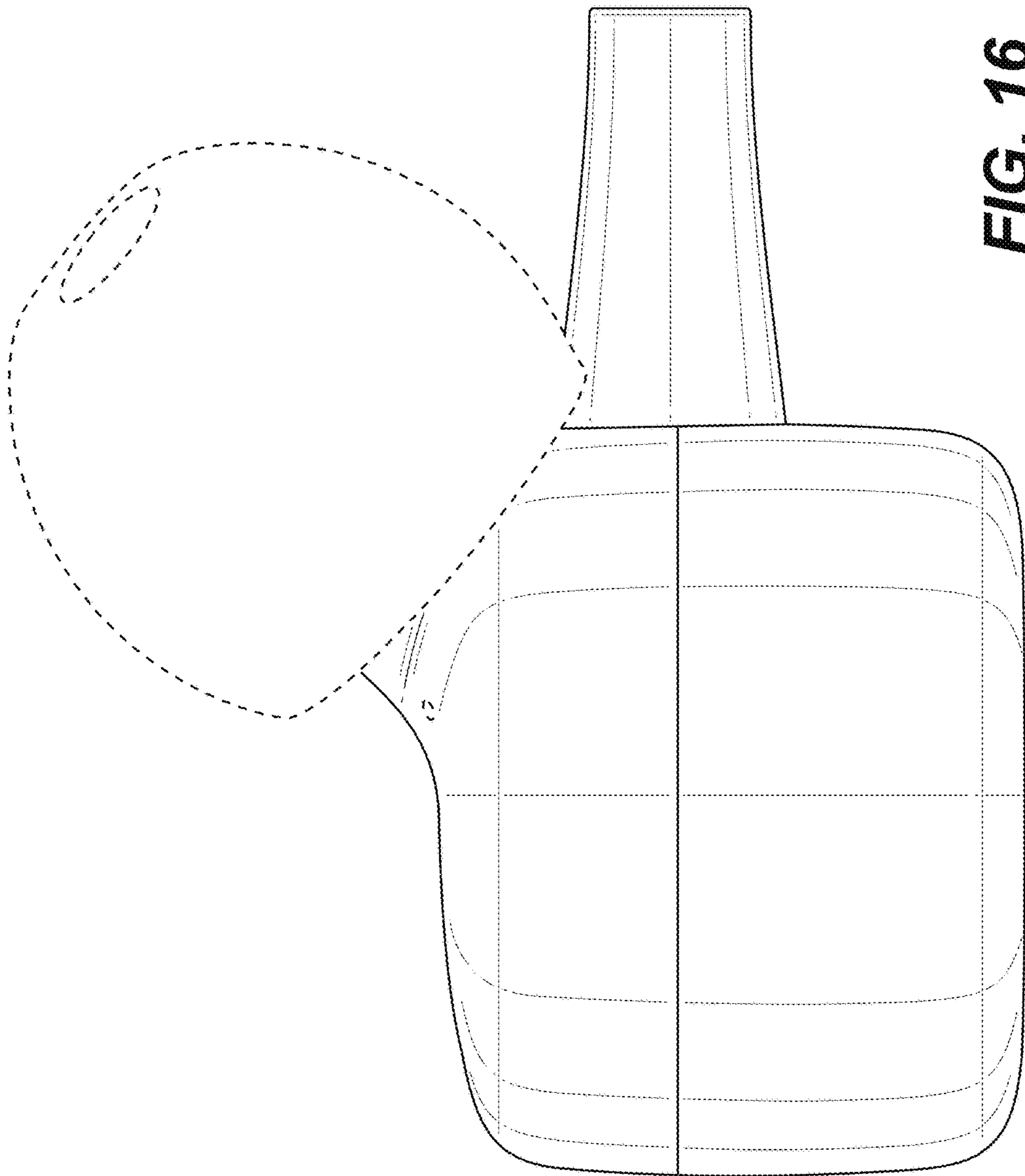


**FIG. 14**





**FIG. 15**



**FIG. 16**