



US00D833417S

(12) **United States Design Patent**
Poulheim

(10) **Patent No.:** **US D833,417 S**

(45) **Date of Patent:** **** Nov. 13, 2018**

(54) **LOUDSPEAKER**

(71) Applicant: **Bang & Olufsen A/S**, Struer (DK)

(72) Inventor: **André Poulheim**, Cologne (DE)

(73) Assignee: **BANG & OLUFSEN A/S**, Struer (DK)

(**) Term: **15 Years**

(21) Appl. No.: **29/559,862**

(22) Filed: **Mar. 31, 2016**

(30) **Foreign Application Priority Data**

Oct. 5, 2015 (EM) 002810366

(51) **LOC (11) Cl.** **14-01**

(52) **U.S. Cl.**

USPC **D14/213**; D14/211; D14/212

(58) **Field of Classification Search**

USPC D14/168, 188, 194, 195, 196, 204, 210,
D14/211, 212, 213, 214, 215, 216, 217,
D14/248, 251, 253, 433, 434, 435, 435.1

CPC B60R 11/0217; G06F 1/1688; G10K 9/22;

G10K 11/004; H03F 1/327; H04M 1/03;

H04M 1/035; H04N 5/642; H04N

21/4852; H04S 3/00; H04S 7/30; H04R

1/02; H04R 1/06; H04R 1/021; H04R

1/025; H04R 1/026; H04R 1/028; H04R

1/105; H04R 1/323; H04R 1/403; H04R

1/2803; H04R 1/2834; H04R 5/02; H04R

7/20; H04R 9/06; H04R 9/025; H04R

2201/021; H04R 2400/00; H04R 2400/07;

H04R 2499/11; H04R 2499/13; H04R

2499/15

See application file for complete search history.

(56) **References Cited**

U.S. PATENT DOCUMENTS

D212,004 S * 8/1968 Emond D14/210

D225,865 S * 1/1973 Sjostedt 52/DIG. 10

D226,567 S * 3/1973 Sioles D14/212

D259,932 S * 7/1981 Hawkins D14/212

D289,040 S * 3/1987 Olsen D14/212

D297,233 S * 8/1988 Livigni D14/215

D320,347 S * 10/1991 Lucarelli D9/414

D408,035 S * 4/1999 Denham D14/212

D491,162 S * 6/2004 Chan D14/188

D646,839 S * 10/2011 Verelst D26/106

D671,095 S * 11/2012 Ching D14/204

D697,894 S * 1/2014 Krisztal D14/204

D720,332 S * 12/2014 Kim D14/216

D725,204 S * 3/2015 Rub D21/398

D734,300 S * 7/2015 Fujioka D14/214

(Continued)

OTHER PUBLICATIONS

YouTube—Beolab 90, announced Oct. 6, 2015 [online], [site visited Jun. 26, 2017]. Available from internet, URL: <<https://www.youtube.com/watch?v=B3cUmRv2J8c>>.*

(Continued)

Primary Examiner — Keli L Hill

Assistant Examiner — Karra S Johnson

(74) *Attorney, Agent, or Firm* — Dykema Gossett PLLC

(57)

CLAIM

The ornamental design for a loudspeaker, as shown and described.

DESCRIPTION

FIG. 1 is a front-right-top perspective view of a first embodiment of a loudspeaker showing my design;

FIG. 2 is front-left-top perspective view of FIG. 1;

FIG. 3 is front elevation view of FIG. 1;

FIG. 4 is a rear elevation view of FIG. 1;

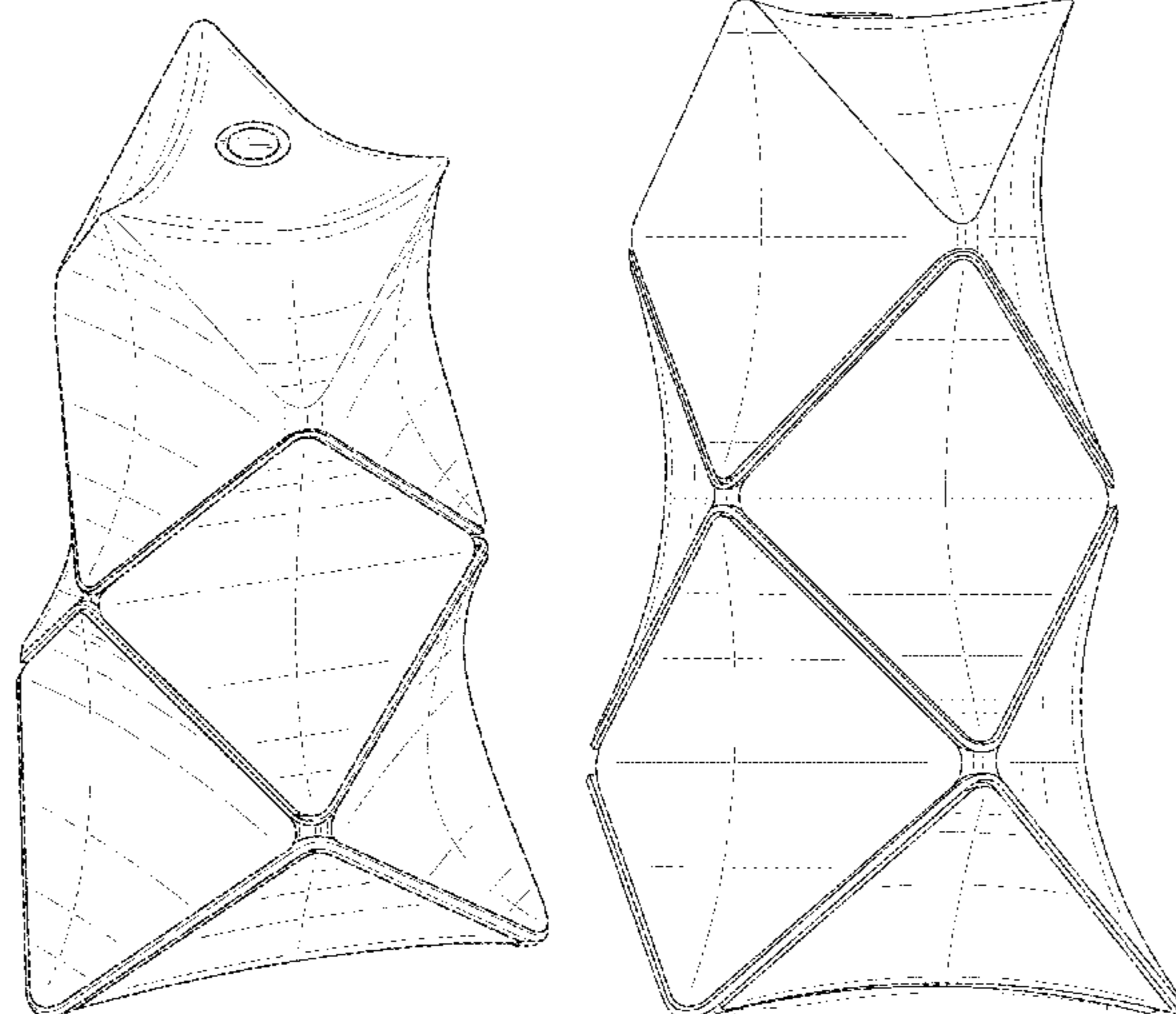
FIG. 5 is a right side elevation view of FIG. 1;

FIG. 6 is a left side elevation view of FIG. 1;

FIG. 7 is a top view of FIG. 1; and,

FIG. 8 is a bottom view of FIG. 1, shown rotated 180° relative to the top view.

1 Claim, 7 Drawing Sheets



(56)

References Cited

U.S. PATENT DOCUMENTS

D741,294 S	*	10/2015	Zhu	D14/214
D743,970 S	*	11/2015	Cepress	D14/480.2
D748,599 S	*	2/2016	Lehanneur	D14/204
D753,631 S	*	4/2016	Holzer	D14/216
D771,592 S	*	11/2016	Cloarec	D14/212
D797,711 S	*	9/2017	Chui	D14/240
D802,559 S	*	11/2017	Holzer	D14/210
D817,924 S	*	5/2018	Kim	D14/213
D817,928 S	*	5/2018	Holzer	D14/216
D818,991 S	*	5/2018	Zhang	D14/216

OTHER PUBLICATIONS

Yanko Design—Divide and Conquer, announced Jan. 10, 2014 [online], [site visited Jun. 26, 2017]. Available from internet, URL: <<https://www.yankodesign.com/2014/01/10/divide-and-conquer/>>.*

Amazon—Geo Up Speaker, announced Feb. 11, 2015 [online], [site visited Jun. 23, 2017]. Available from internet, URL: <<https://www.amazon.co.uk/tec-Rechargeable-Bluetooth-Compatible-Smartphones/dp/B017IHW5K0>>.*

Amazon—iHome iBT68, announced Aug. 09, 2015 [online], [site visited Jun. 23, 2017]. Available from internet, URL: <https://www.amazon.com/iHome-Changing-Bluetooth-Rechargeable-Speakerphone/product-reviews/B01FRFUQYM/ref=cm_cr_arp_d_paging_btm_24?ie=UTF8&reviewerType=avp_only_reviews&sortBy=recent&pageNumber=24>.*

YouTube—Beolab 90, announced Oct. 6, 2015 [online], [site visited Jun. 20, 2018]. Available from internet, URL: <<https://www.youtube.com/watch?v=B3cUmRv2J8c>> (Year: 2015).*

Yanko Design—Divide and Conquer, announced Jan. 10, 2014 [online], [site visited Jun. 20, 2018]. Available from internet, URL: <<https://www.yankodesign.com/2014/01/10/divide-and-conquered>> (Year: 2014).*

Amazon—Geo Up Speaker, announced Feb. 11, 2015 [online], [site visited Jun. 20, 2018]. Available from internet, URL: <<https://www.amazon.co.uk/tec-Rechargeable-Bluetooth-Compatible-Smartphones/dp/B017IHW5K0>> (Year: 2015).*

Amazon—iHome iBT68, announced Aug. 9, 2015 [online], [visited Jun. 20, 2018]. From internet, URL: <https://www.amazon.com/iHome-Changing-Bluetooth-Rechargeable-Speakerphone/product-reviews/B01FRFUQYM/ref=cm_cr_arp_d_paging_btm_24?ie=UTF8&reviewerType=avp_only_reviews&sortBy=recent&pageNunber=24> (Year: 2015).*

* cited by examiner

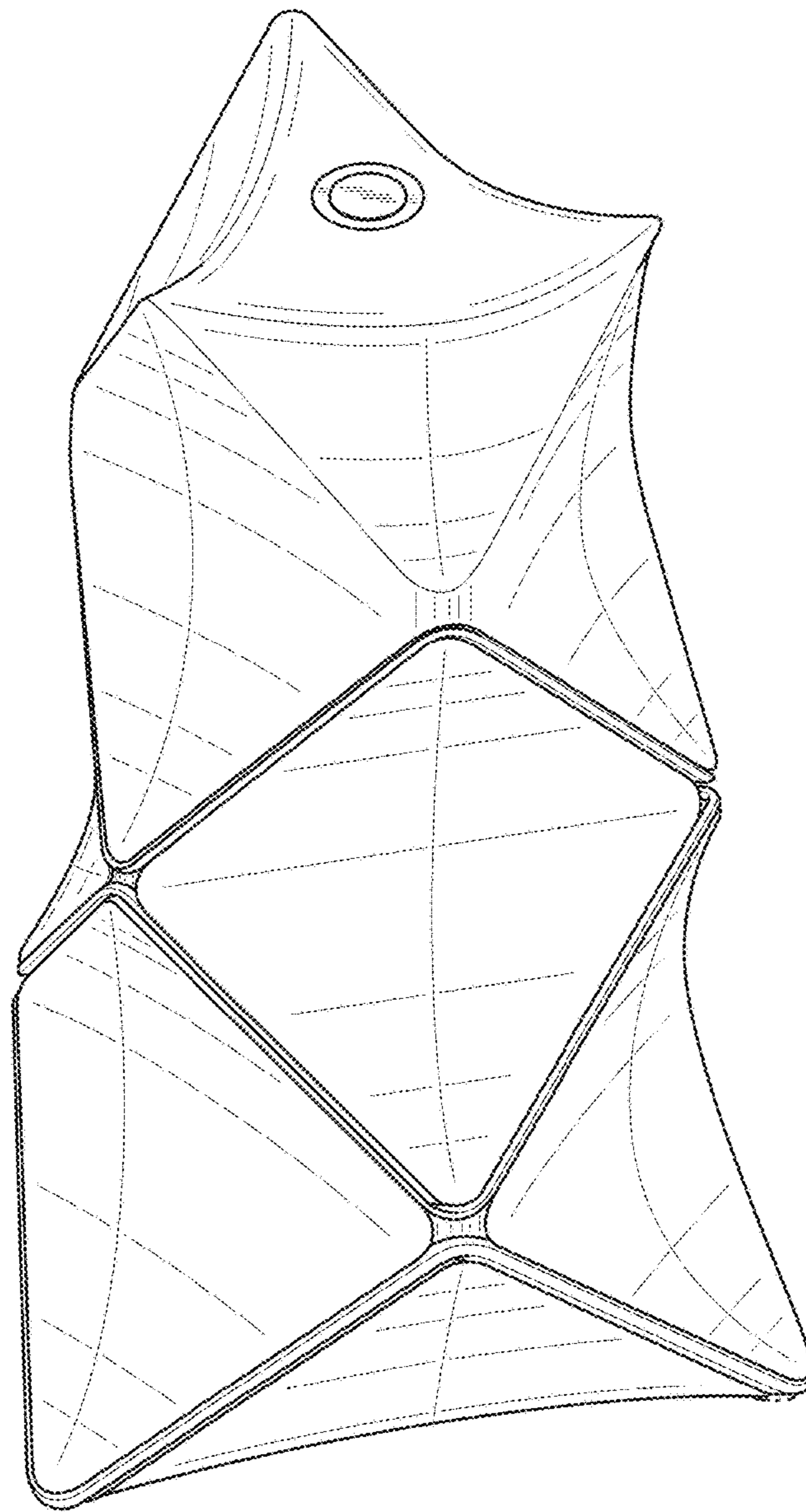


FIG. 1

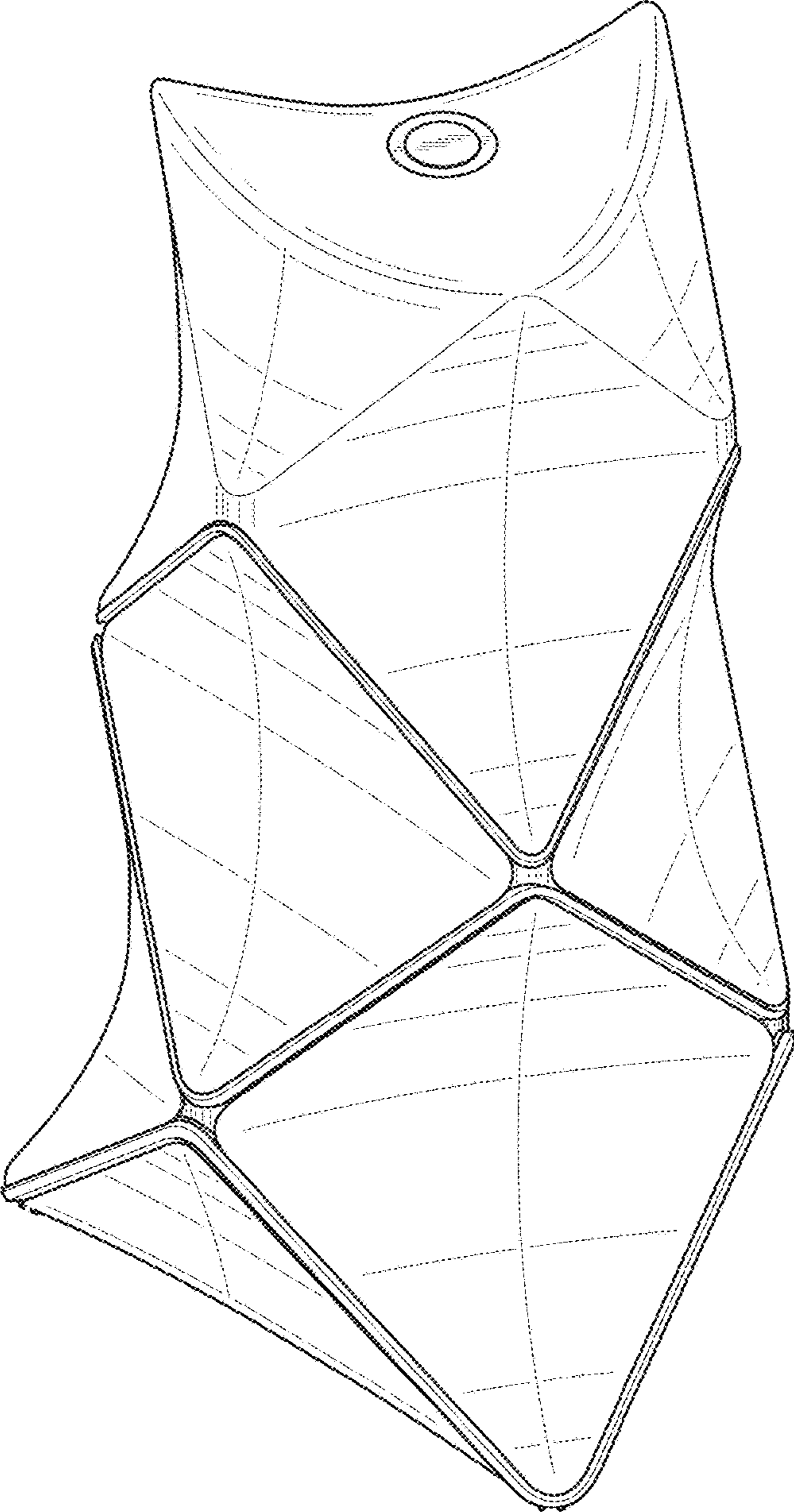


FIG. 2

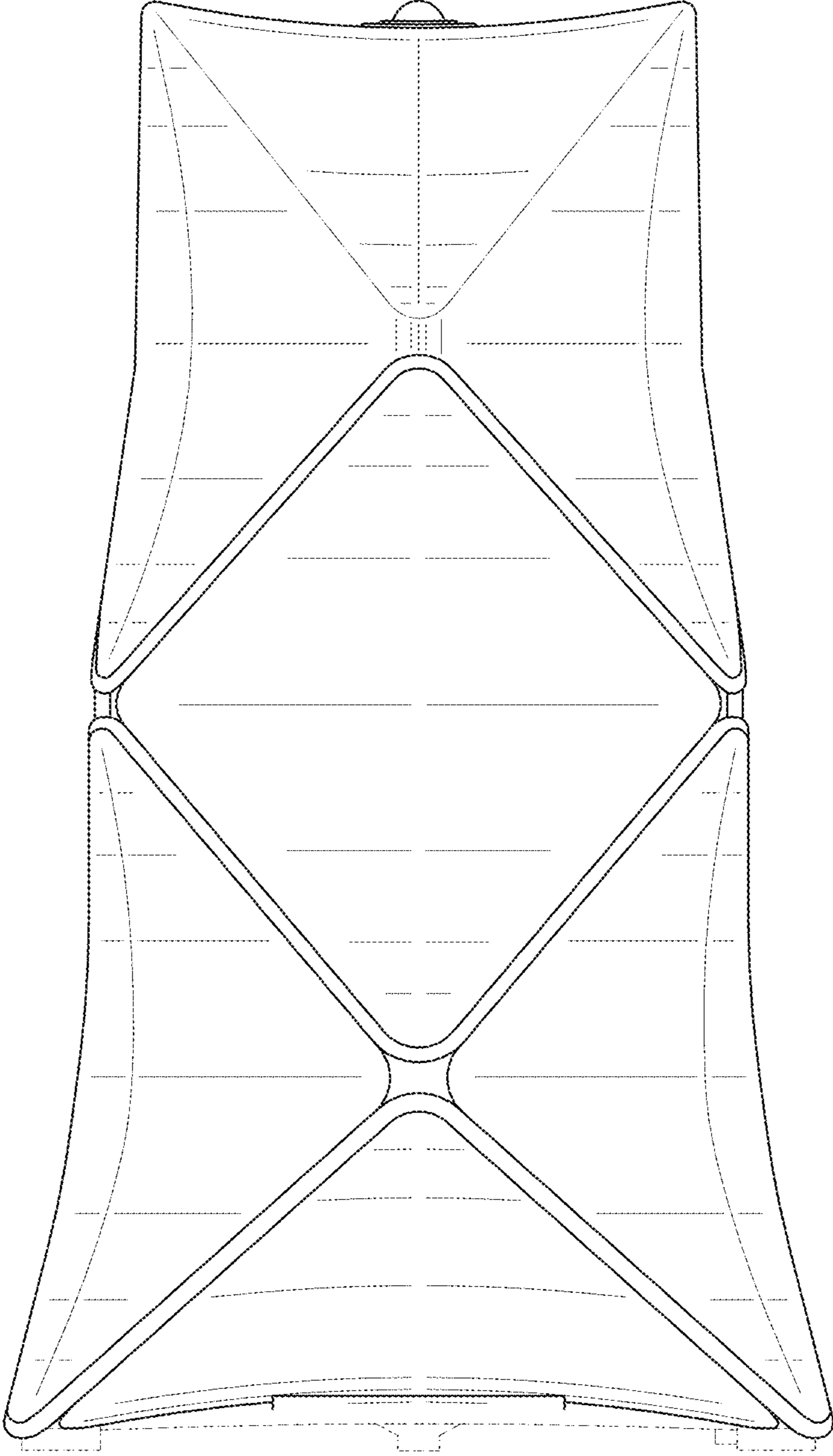


FIG. 3

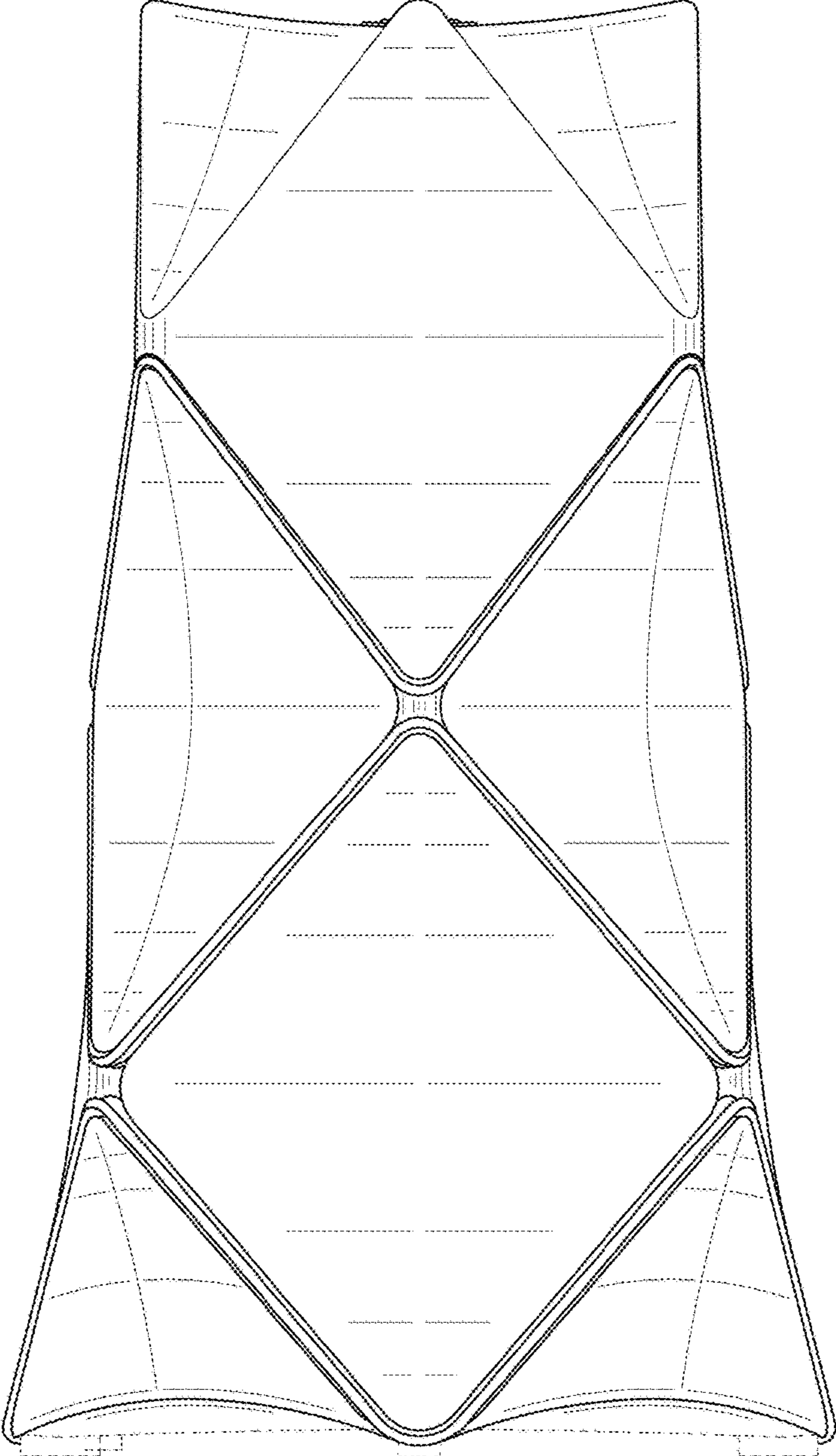


FIG. 4

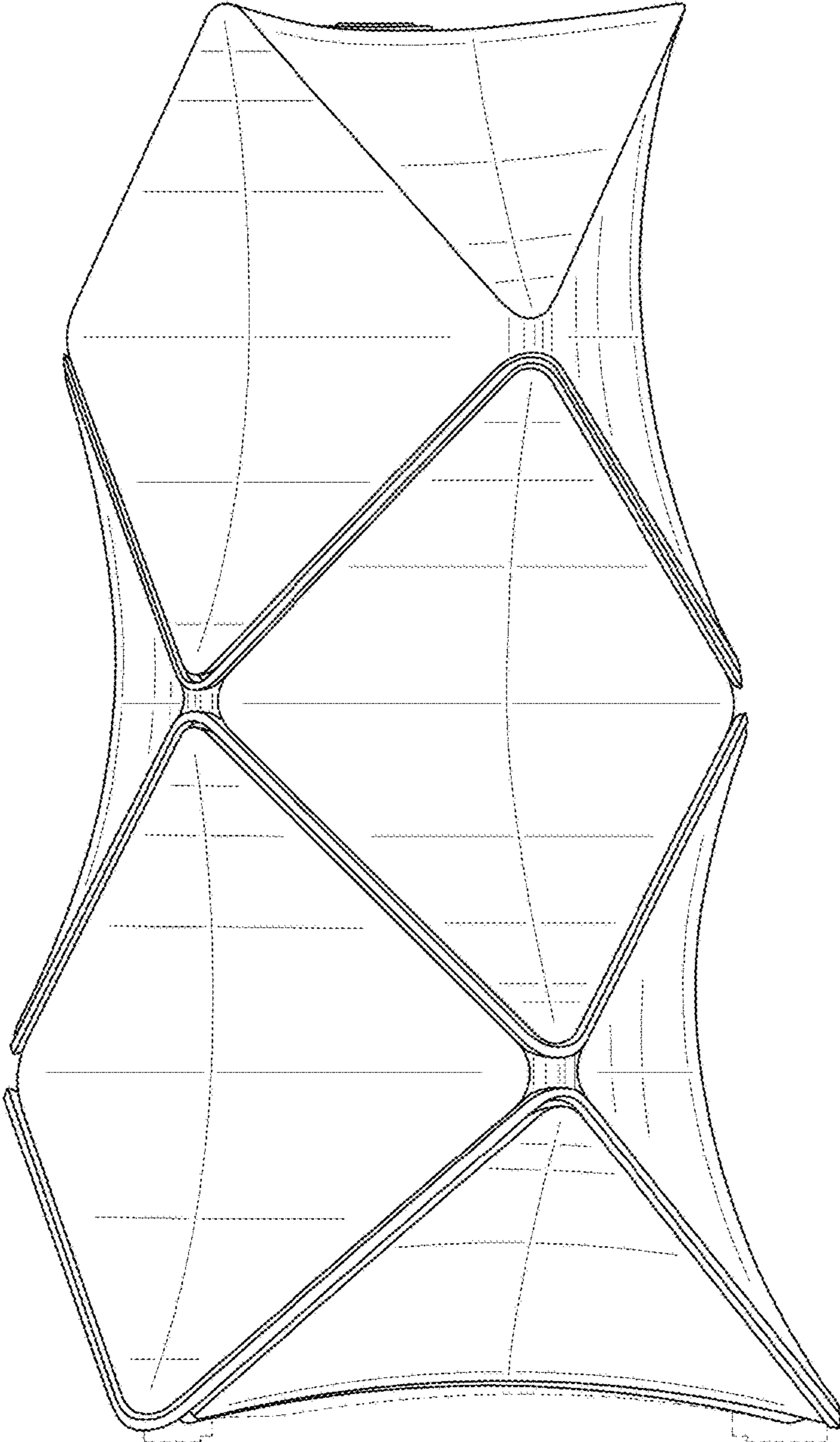


FIG. 5

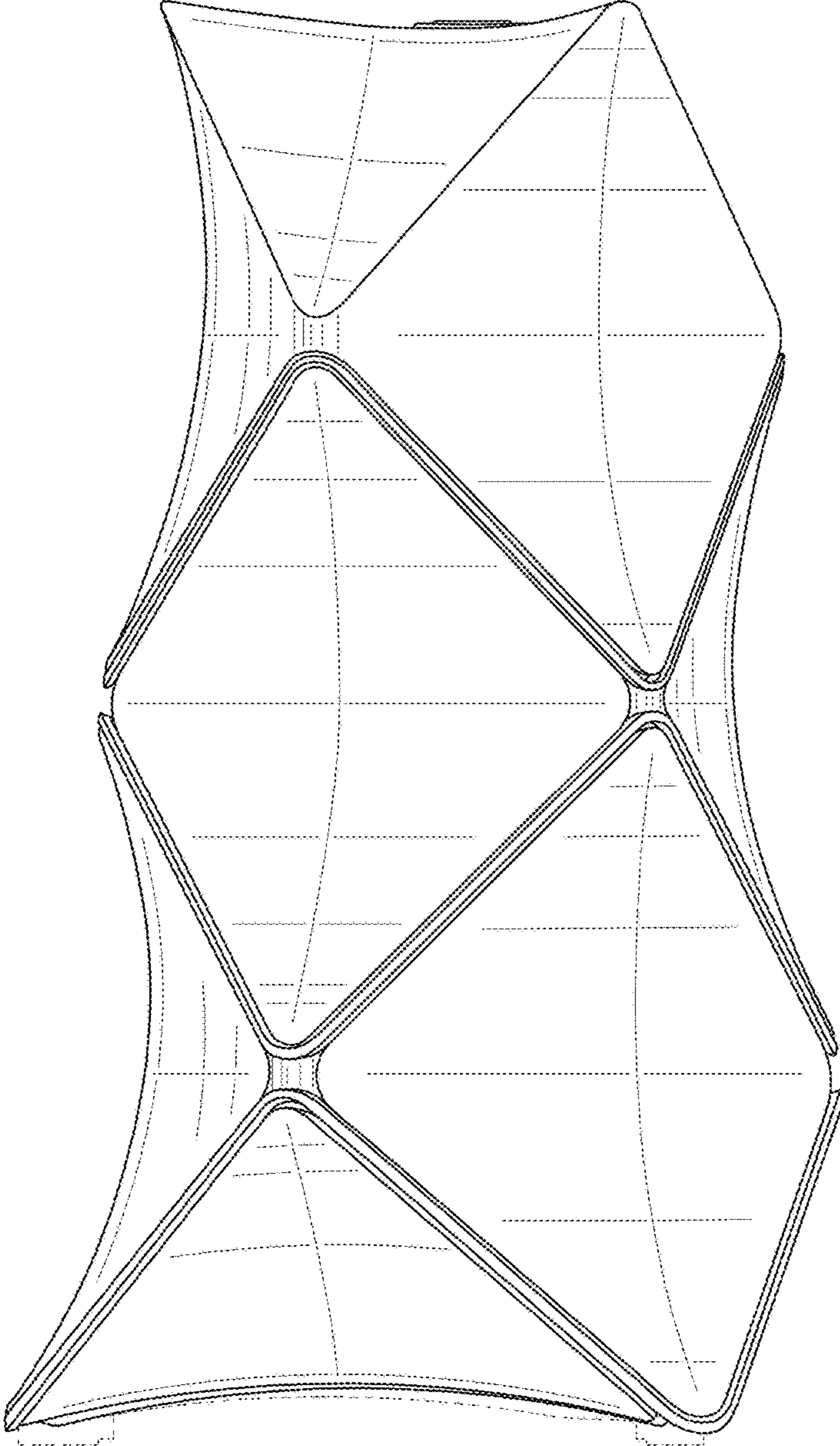


FIG. 6

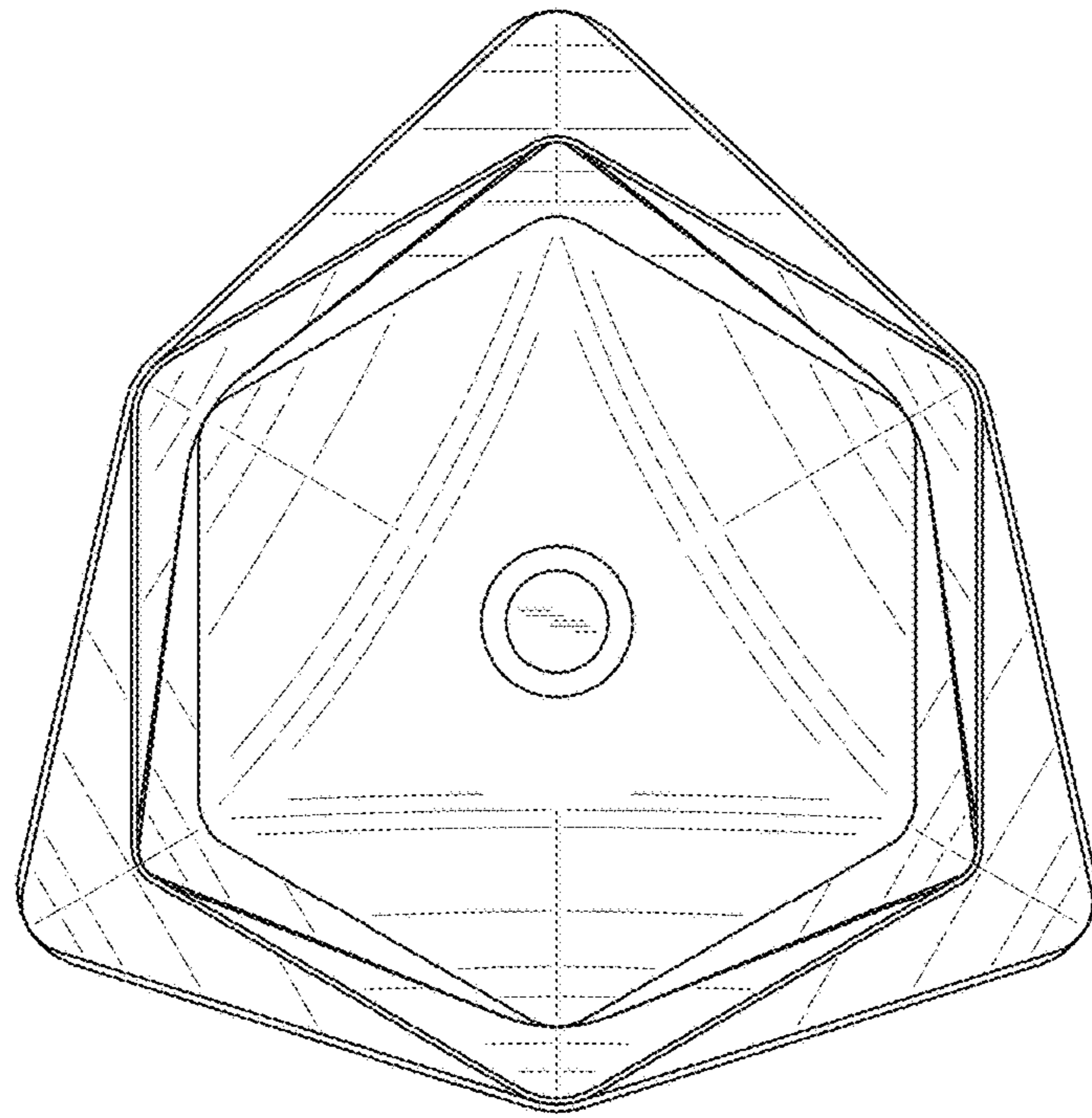


FIG. 7

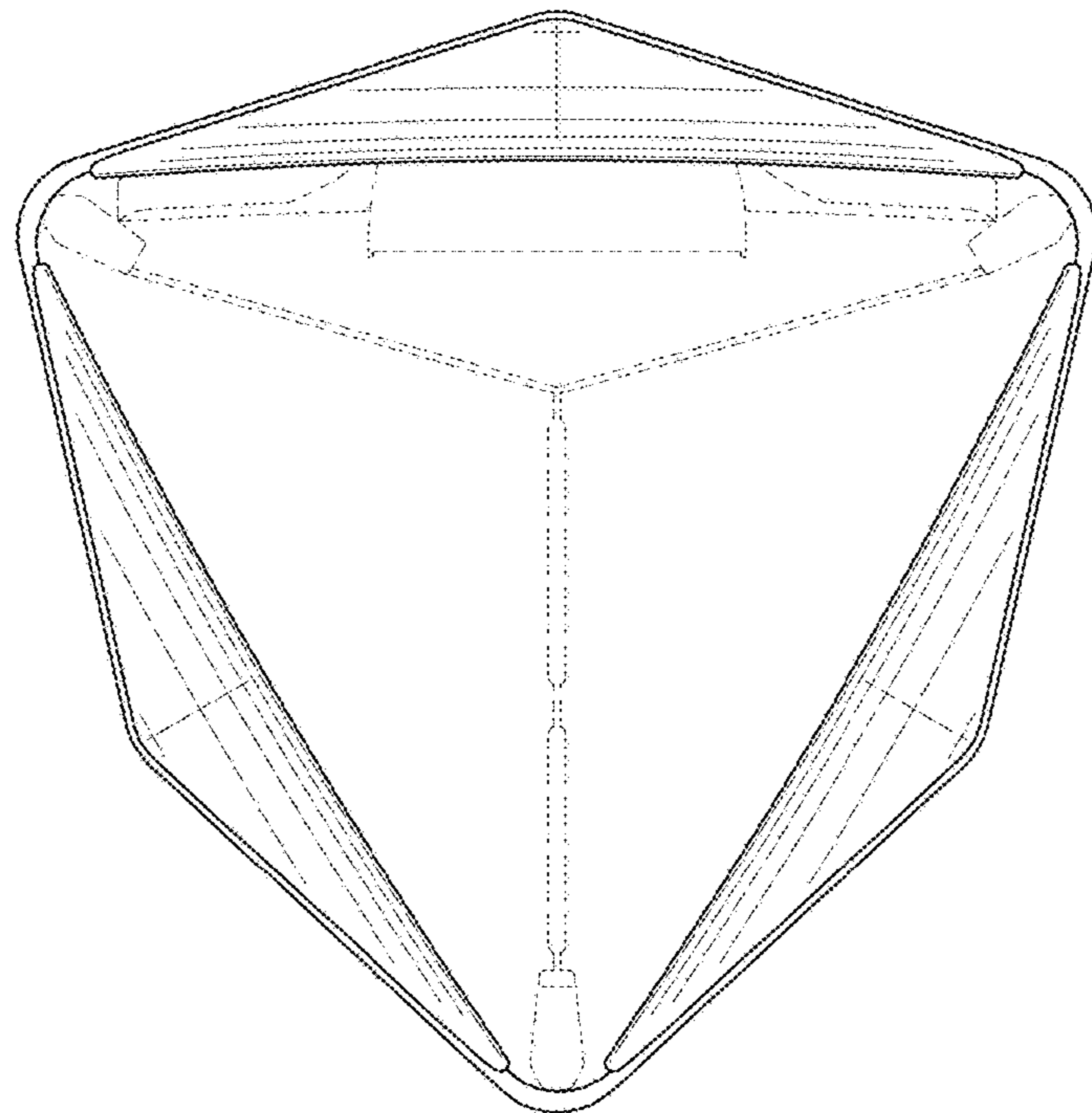


FIG. 8