



US00D833416S

(12) **United States Design Patent** (10) **Patent No.:** **US D833,416 S**  
**Hu** (45) **Date of Patent:** **\*\* Nov. 13, 2018**

(54) **BLUETOOTH SPEAKER**

(71) Applicant: **VTIN TECHNOLOGY CO., LIMITED**, Hong Kong (HK)

(72) Inventor: **Zaihui Hu**, Shenzhen (CN)

(73) Assignee: **VTIN TECHNOLOGY CO., LIMITED**, Hong Kong (HK)

(\*\*) Term: **15 Years**

(21) Appl. No.: **29/643,939**

(22) Filed: **Apr. 13, 2018**

(51) **LOC (11) Cl.** ..... **14-01**

(52) **U.S. Cl.**  
USPC ..... **D14/204**

(58) **Field of Classification Search**  
USPC .... D14/167, 168, 170–172, 188, 204, 209.1,  
D14/210–216, 219, 221, 222, 224;  
181/144, 148, 153, 157, 198; 369/6–12;  
381/301–303, 306, 332, 334, 336, 345,  
381/361–363, 386–388  
CPC ..... G06F 1/1688; H04R 1/02; H04R 1/025;  
H04R 1/026; H04R 1/323; H04R 1/403;  
H04R 1/2803; H04R 1/2834; H04R 5/02;  
H04R 9/06; H04R 2201/021; H04R  
2400/00; H04R 2400/07; H04R 2499/11  
See application file for complete search history.

(56) **References Cited**

**U.S. PATENT DOCUMENTS**

D360,417 S	*	7/1995	Mark	.....	D14/215
D462,338 S	*	9/2002	Wong	.....	D14/215
D563,390 S	*	3/2008	Vafiadis	.....	D14/188
D582,416 S	*	12/2008	Duarte	.....	D14/434
D590,812 S	*	4/2009	Muraoka	.....	D14/215
D596,196 S	*	7/2009	Laituri	.....	D14/168
D643,018 S		8/2011	Kim		

D676,831 S	*	2/2013	Onoue	.....	D14/215
D678,863 S	*	3/2013	Inada	.....	D14/204
D703,185 S	*	4/2014	Kim	.....	D14/209.1
D715,261 S	*	10/2014	Lee	.....	D14/215

**FOREIGN PATENT DOCUMENTS**

EM 003406511-0001 10/2016

**OTHER PUBLICATIONS**

Polk Audio Signature S35 American HiFi Home Theater Slim Center Speaker, announced Sep. 2015, [online], site visited Jun. 4, 2018. Available from Internet, URL: <http://www.amazon.com> (Year: 2015).\*

ZoeeTree S1 Wireless Bluetooth Speaker, Outdoor Portable Stereo Speaker with HD Audio and Enhanced Bass, Built-In Dual Driver Speakerphone, Bluetooth 4.2, Handsfree Calling, TF Card Slot, Date first listed Online: Feb. 14, 2017, Available from Internet, URL: <https://www.amazon.com/dp/B06WRRJ732>, ZoeeTree.

(Continued)

*Primary Examiner* — Derrick E Holland

*Assistant Examiner* — Janice Patyk

(74) *Attorney, Agent, or Firm* — JCIPRNET

(57) **CLAIM**

The ornamental design for a bluetooth speaker, as shown and described.

**DESCRIPTION**

FIG. 1 is a perspective view of a bluetooth speaker showing my new design;

FIG. 2 is another perspective view thereof;

FIG. 3 is a front view thereof;

FIG. 4 is a rear view thereof;

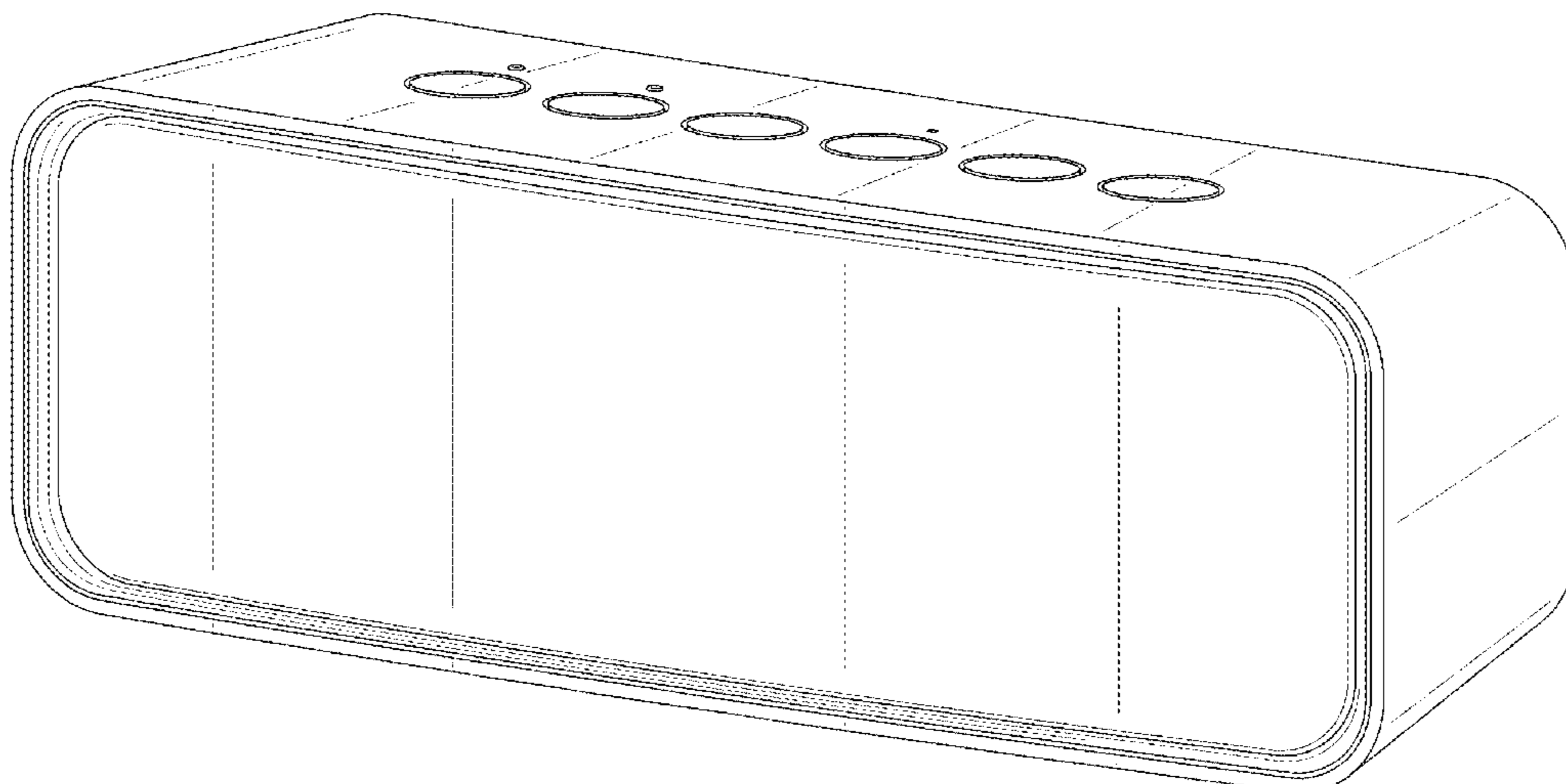
FIG. 5 is a left side view thereof;

FIG. 6 is a right side view thereof;

FIG. 7 is a top view thereof; and,

FIG. 8 is a bottom view thereof.

**1 Claim, 7 Drawing Sheets**



(56)

**References Cited**

OTHER PUBLICATIONS

Jam Audio Heavy Metal Stereo Bluetooth Wireless Speaker, 20W Dual Drivers and Passive Bass Radiator for Bold, Crisp Sound, Sleek Aluminium Exterior, Elegant Finish, Connect Wirelessly to any Bluetooth Device, Smartphone, Tablet, Laptop, Date first listed Online: Jul. 3, 2015, Available from Internet, URL: <https://www.amazon.co.uk/dp/B00X7SIO6Y>, Jam Audio.

\* cited by examiner

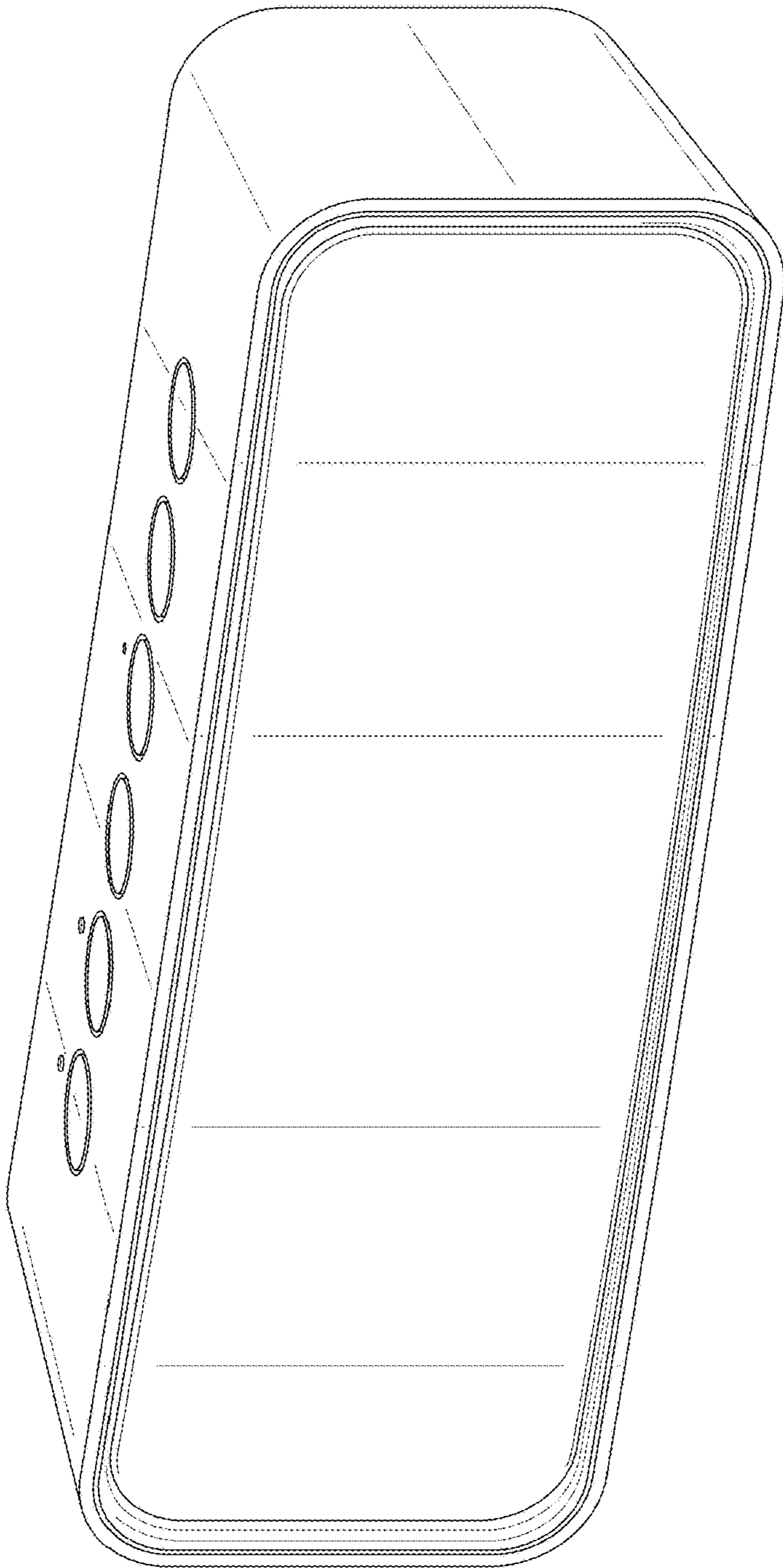


FIG. 1

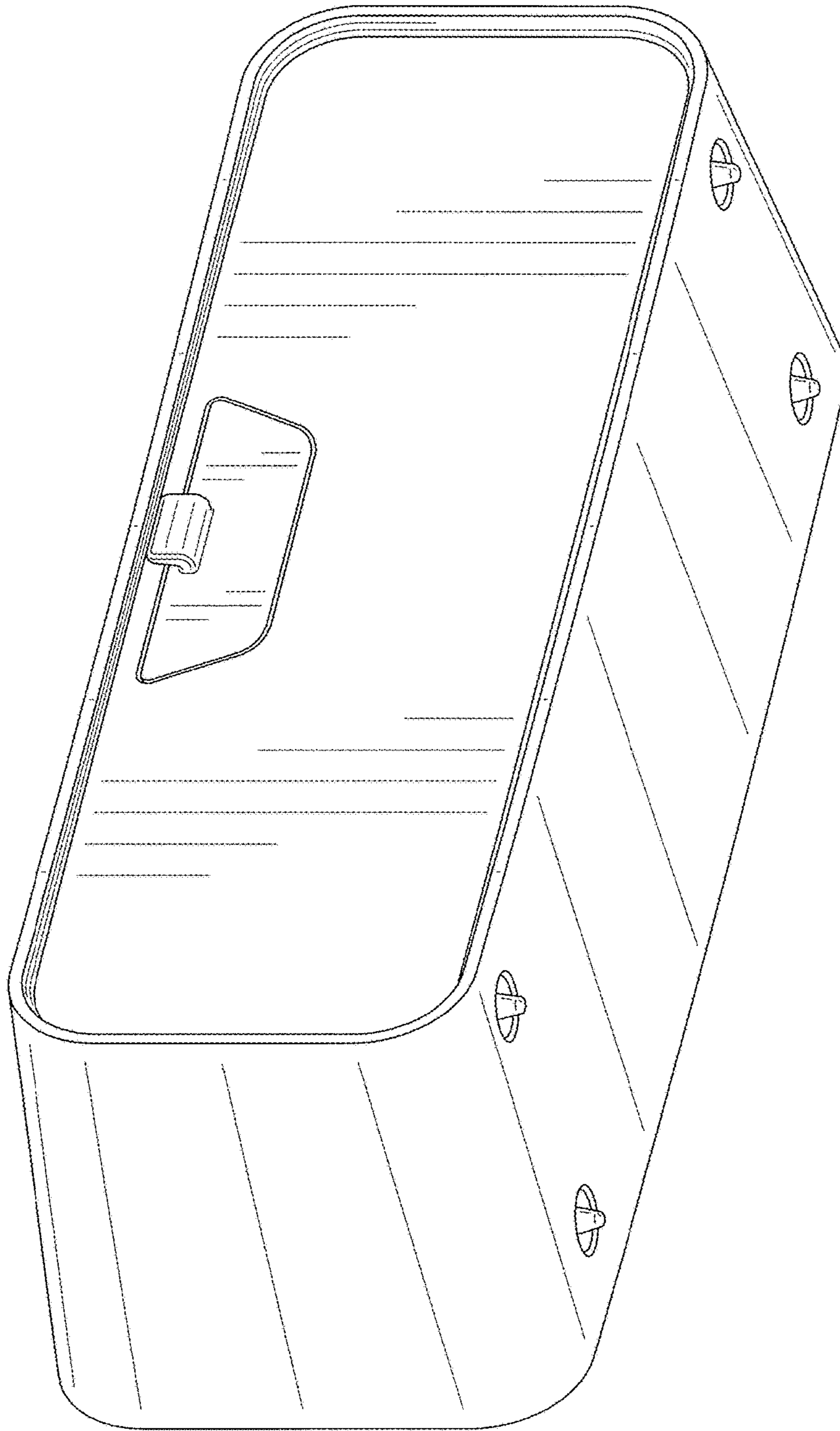


FIG. 2

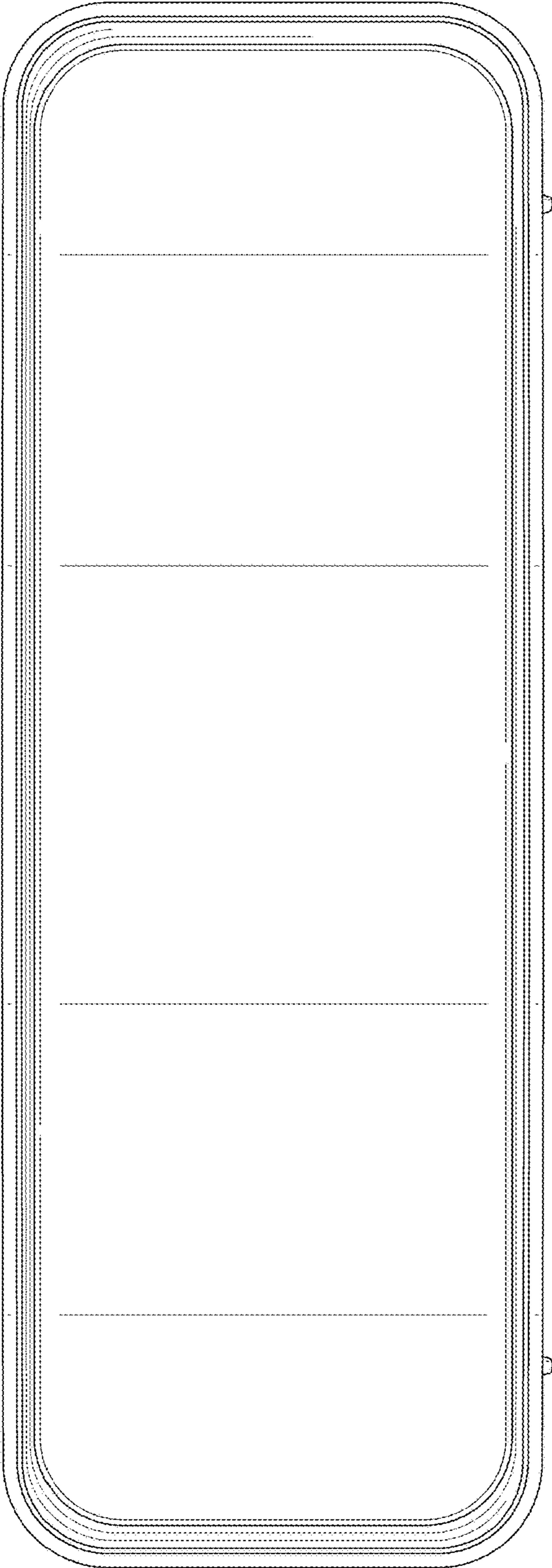


FIG. 3

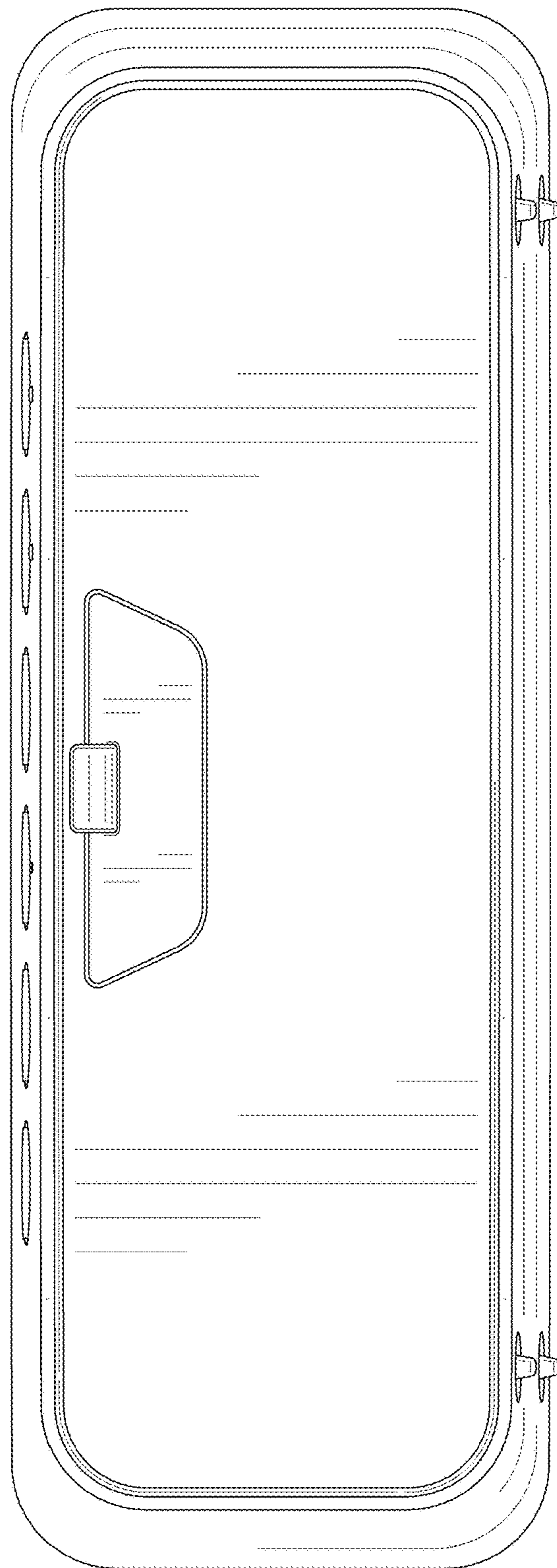


FIG. 4

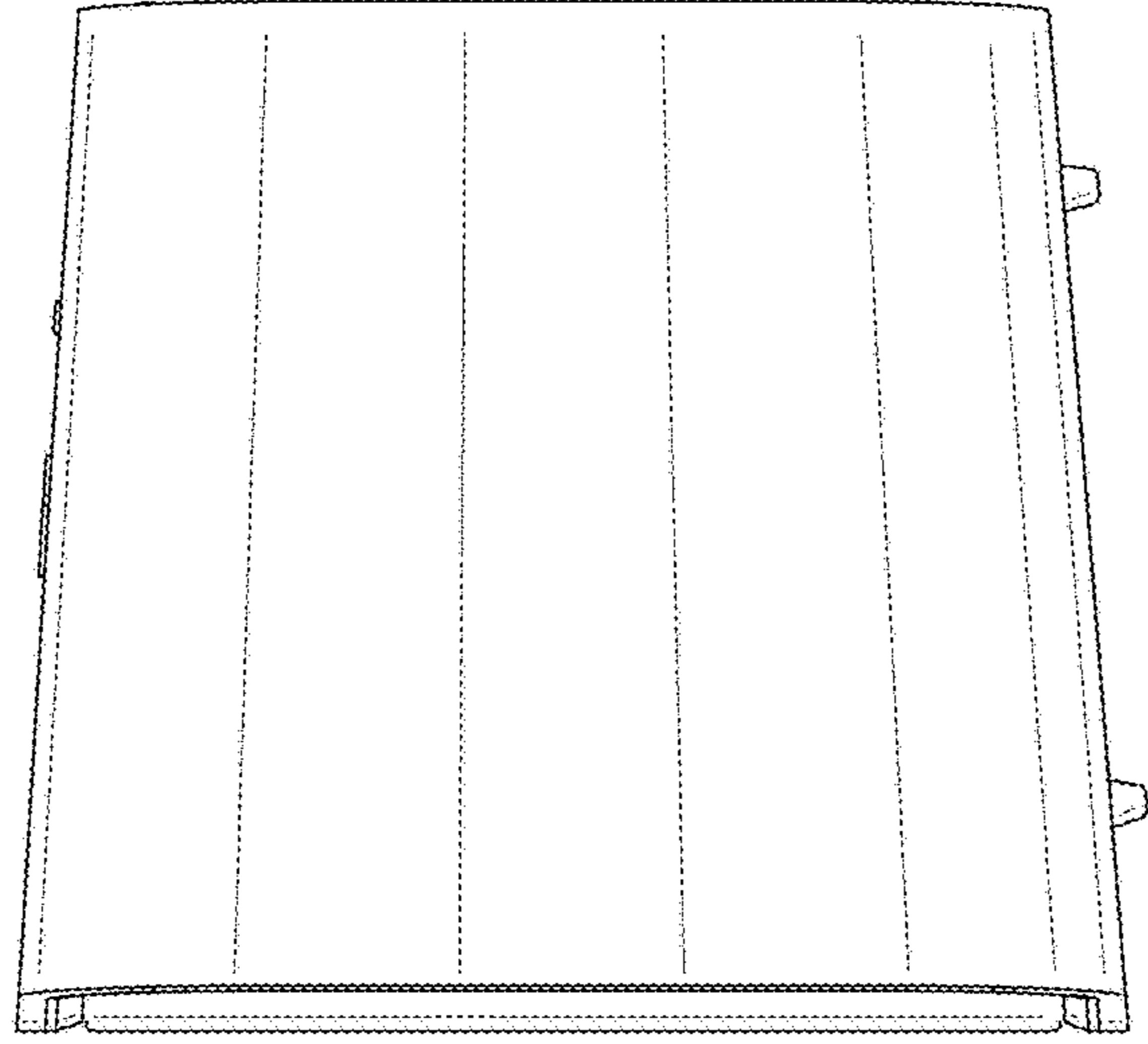


FIG. 6

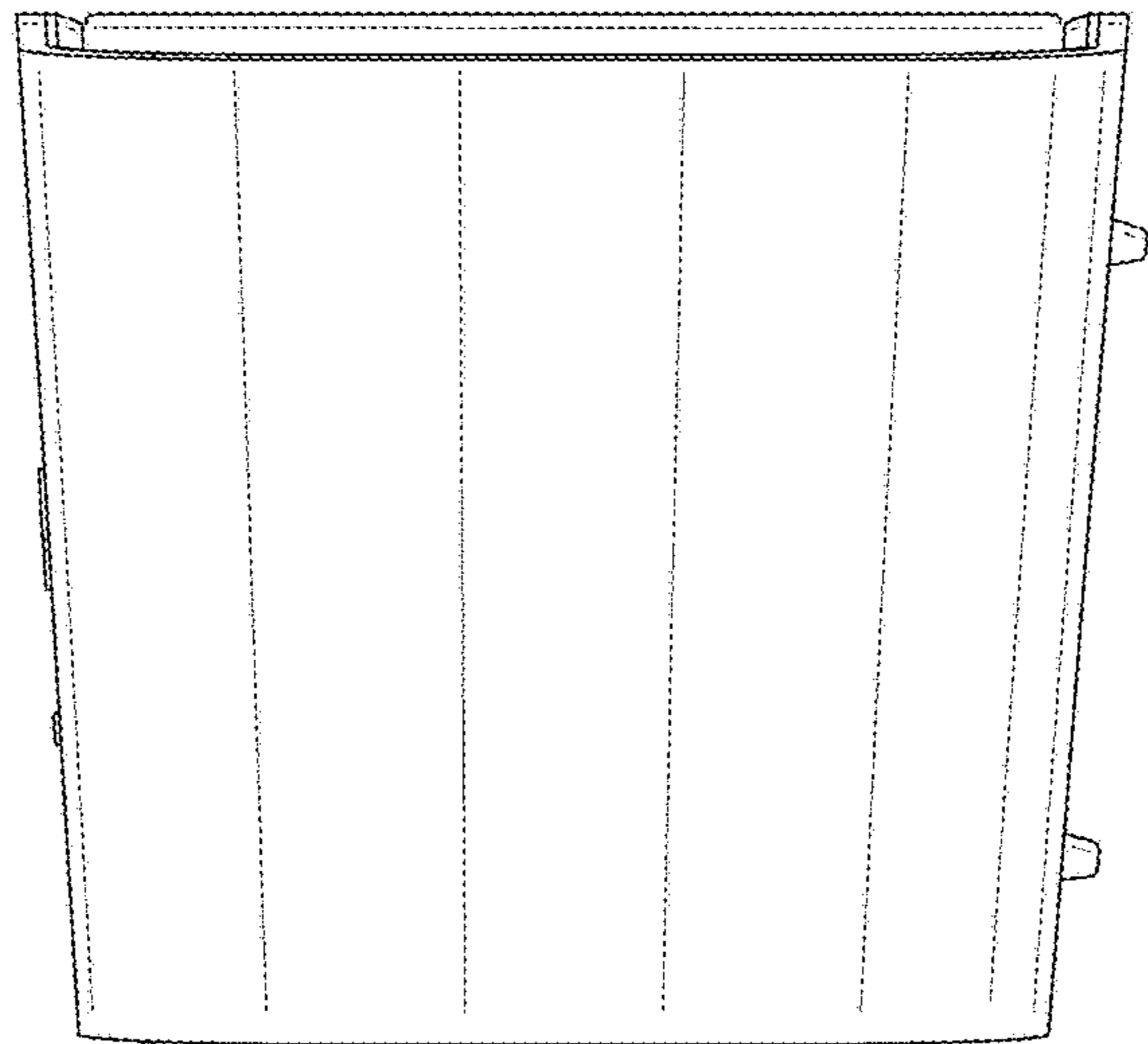


FIG. 5

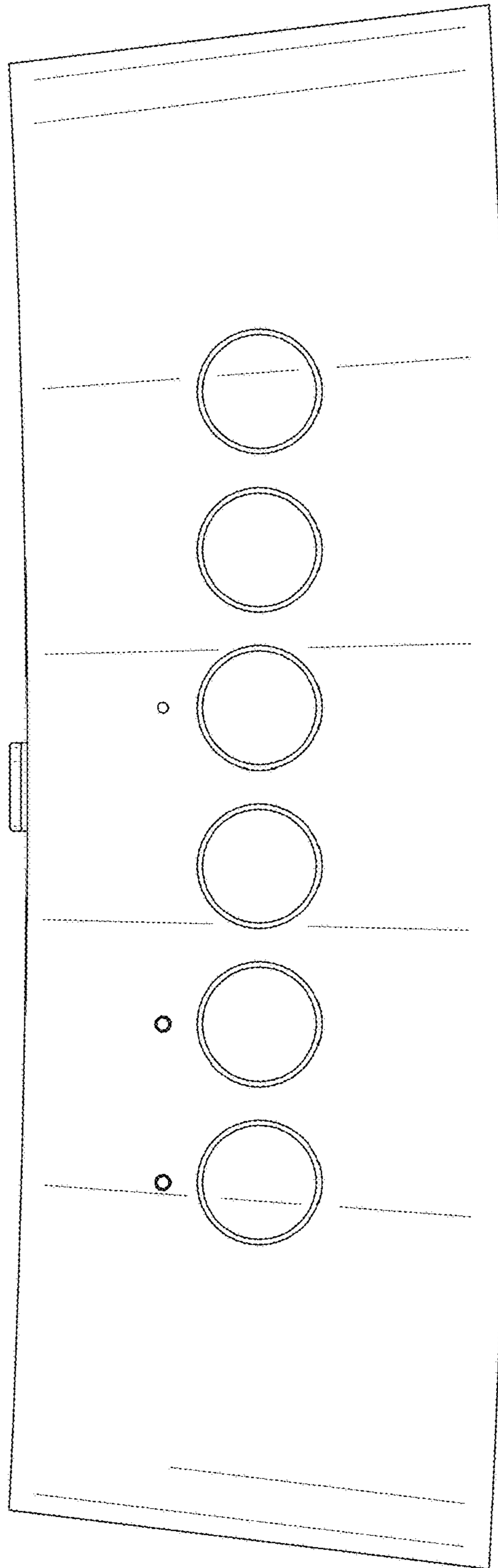


FIG. 7



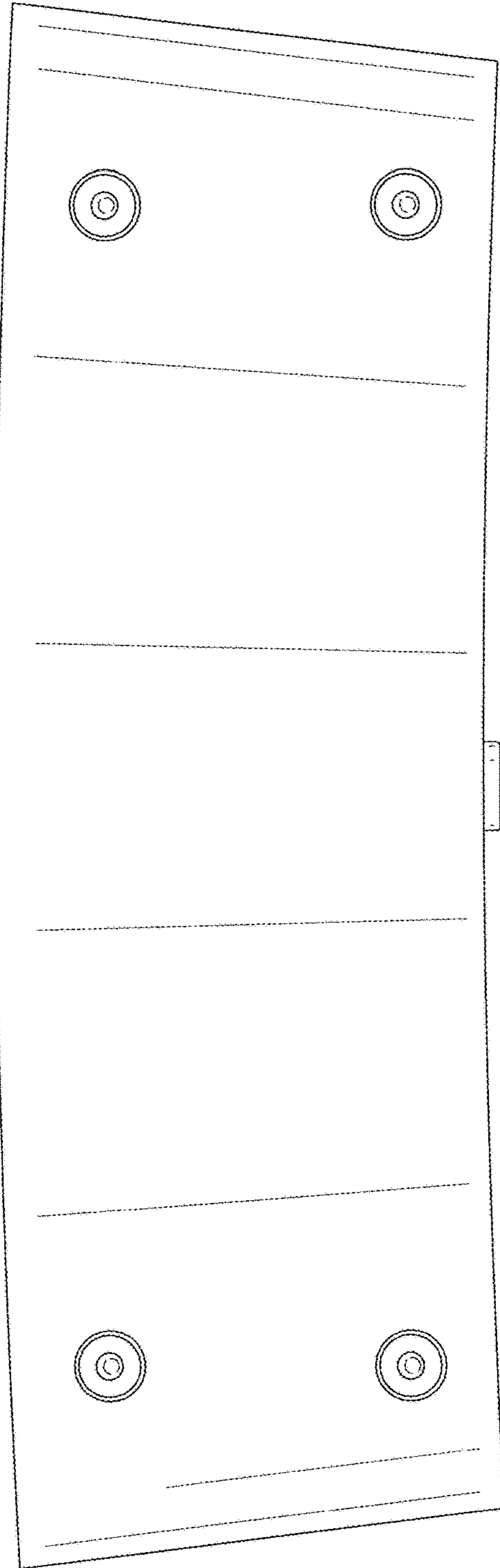


FIG. 8