



US00D833415S

(12) **United States Design Patent**  
**Kitazawa**

(10) **Patent No.:** **US D833,415 S**

(45) **Date of Patent:** **\*\* Nov. 13, 2018**

(54) **SOUND DEVICE**

(71) Applicant: **Creative Technology Ltd**, Singapore (SG)

(72) Inventor: **Shintaro Kitazawa**, Singapore (SG)

(73) Assignee: **Creative Technology Ltd**, Singapore (SG)

(\*\*) Term: **15 Years**

(21) Appl. No.: **29/589,417**

(22) Filed: **Dec. 30, 2016**

(51) **LOC (11) Cl.** ..... **14-01**

(52) **U.S. Cl.**  
USPC ..... **D14/204**

(58) **Field of Classification Search**  
USPC .... D14/167, 188, 204, 209.1, 210–215, 348,  
D14/352, 498–505; 181/143, 144, 148,  
181/153, 157, 198, 199; 369/6–12;  
381/300–303, 361–364, 366, 386–388  
CPC ..... H04R 1/02; H04R 1/021; H04R 1/023;  
H04R 5/00; H04R 9/06; H04R 2420/07  
See application file for complete search history.

(56) **References Cited**

**U.S. PATENT DOCUMENTS**

D277,415 S \* 1/1985 Berger ..... D26/46  
D535,307 S \* 1/2007 Yagi ..... D14/157

D568,881 S \* 5/2008 Hsiau ..... D14/356  
D596,614 S \* 7/2009 Wilson ..... D14/188  
D612,329 S \* 3/2010 Guccione ..... D13/108  
D630,193 S \* 1/2011 Bennett ..... D14/167  
D643,807 S \* 8/2011 Jiang ..... D13/103  
D655,270 S \* 3/2012 Jain ..... D14/167  
D678,258 S \* 3/2013 Seto ..... D14/240  
D682,449 S \* 5/2013 Scazziga ..... D26/37  
D708,727 S \* 7/2014 Postma ..... D23/360  
D719,932 S \* 12/2014 Osborn ..... D14/214  
D730,572 S \* 5/2015 Leidel ..... D27/163

\* cited by examiner

*Primary Examiner* — Derrick E Holland

*Assistant Examiner* — Janice Patyk

(74) *Attorney, Agent, or Firm* — Russell Swerdon;  
Desmund Gean

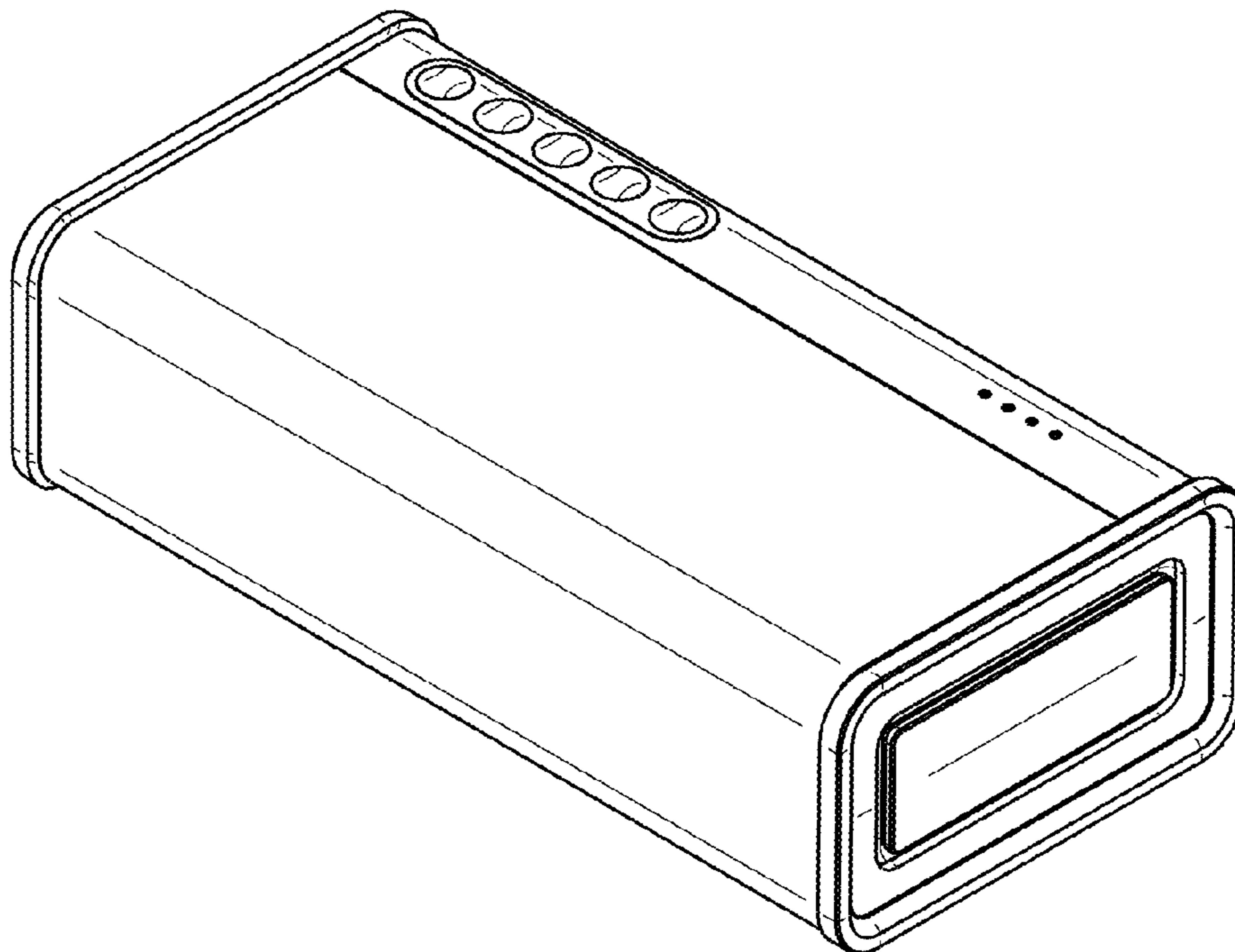
(57) **CLAIM**

The ornamental design for a sound device, substantially as shown and described.

**DESCRIPTION**

FIG. 1 is a front perspective view of a sound device, showing my new design;  
FIG. 2 is a rear perspective view thereof;  
FIG. 3 is a front view thereof;  
FIG. 4 is a rear view thereof;  
FIG. 5 is a left side view thereof;  
FIG. 6 is a right side view thereof;  
FIG. 7 is a top view thereof, and,  
FIG. 8 is a bottom view thereof.

**1 Claim, 8 Drawing Sheets**



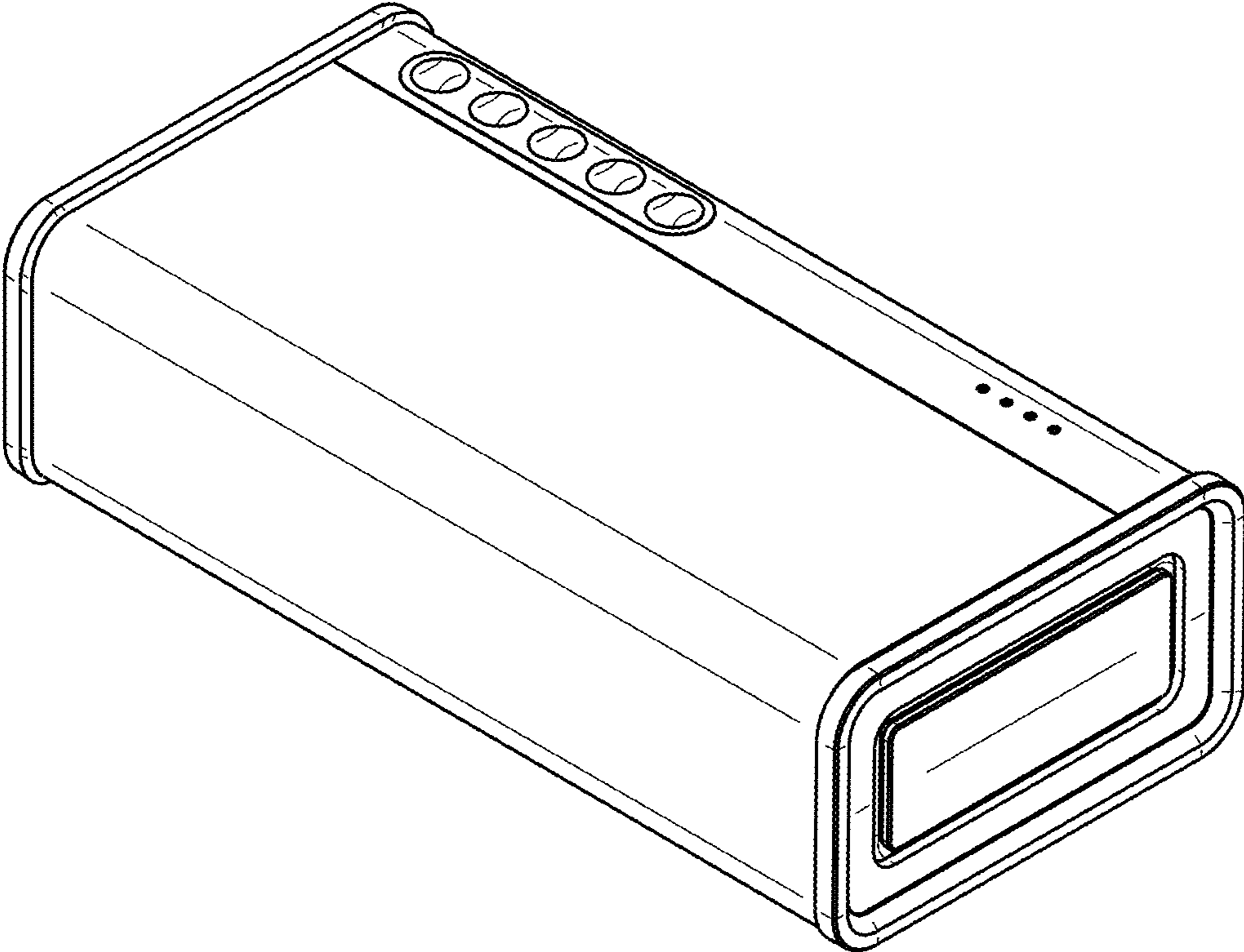


FIG. 1

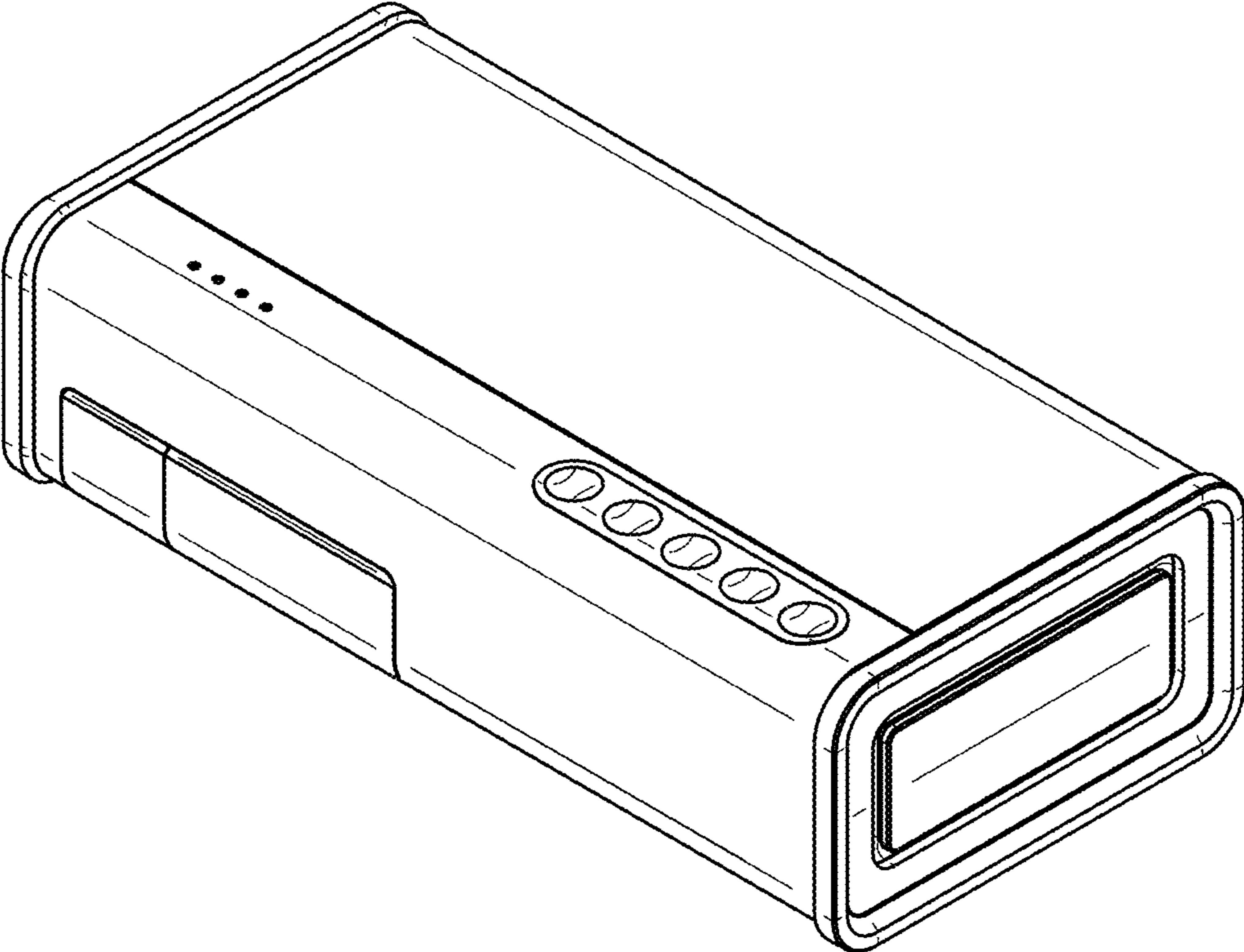


FIG. 2

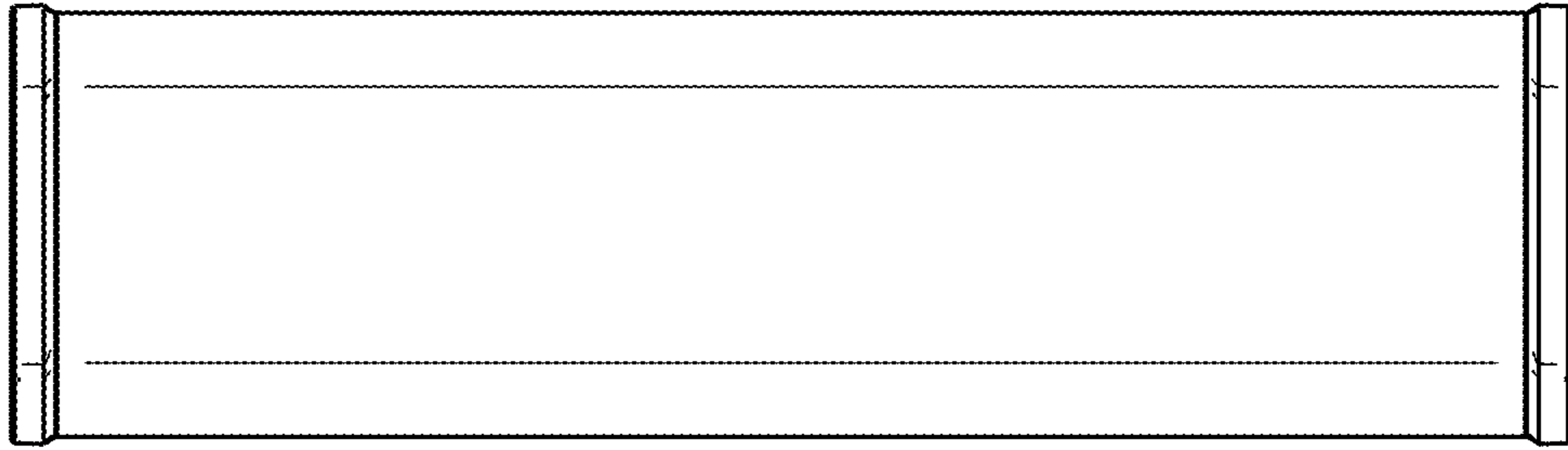


FIG. 3

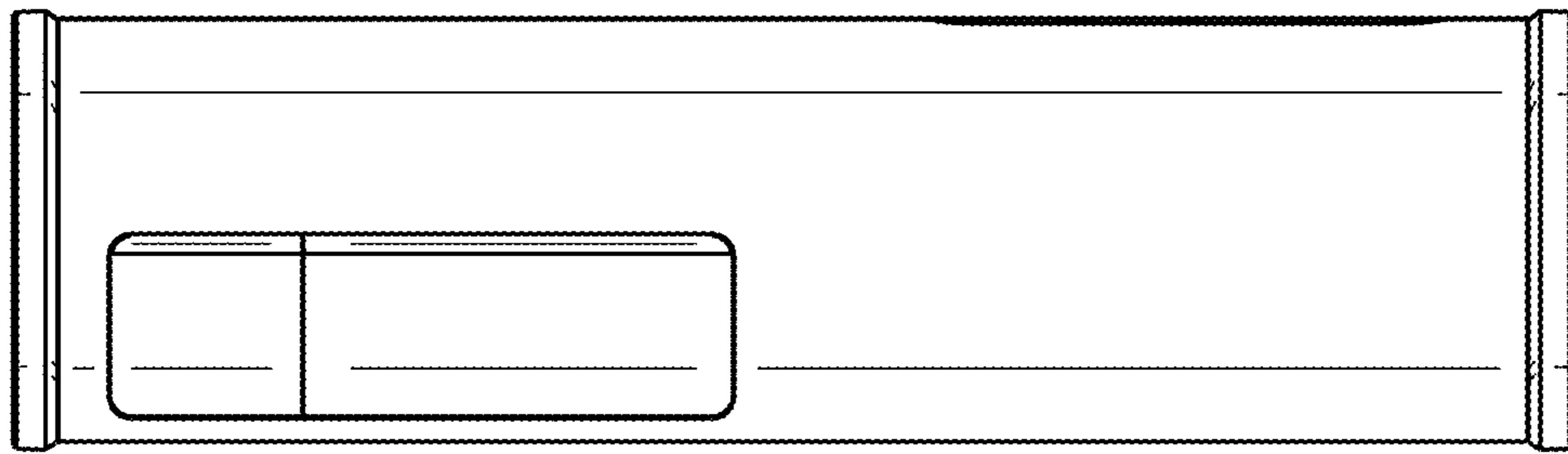


FIG. 4

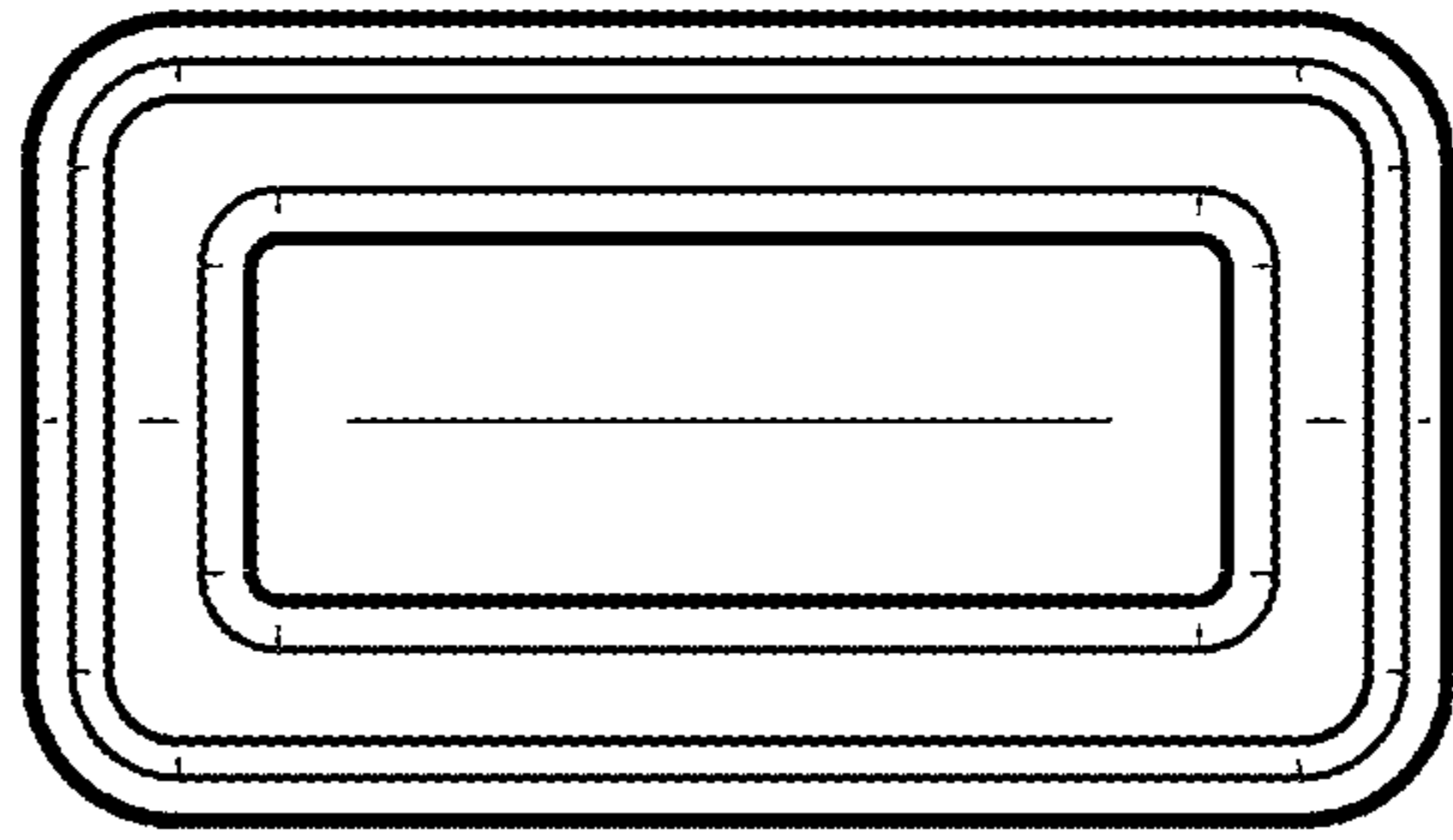


FIG. 5

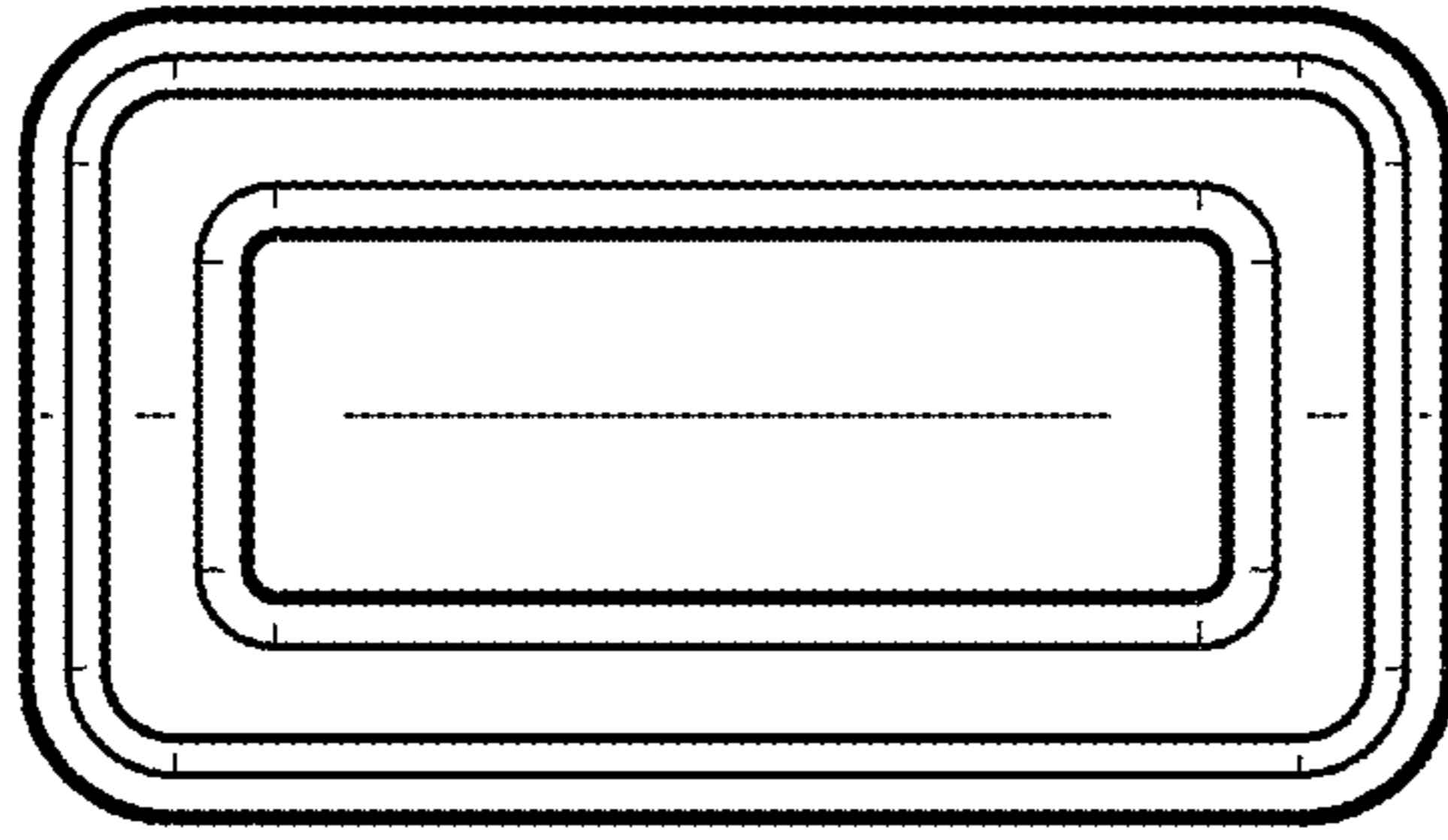


FIG. 6

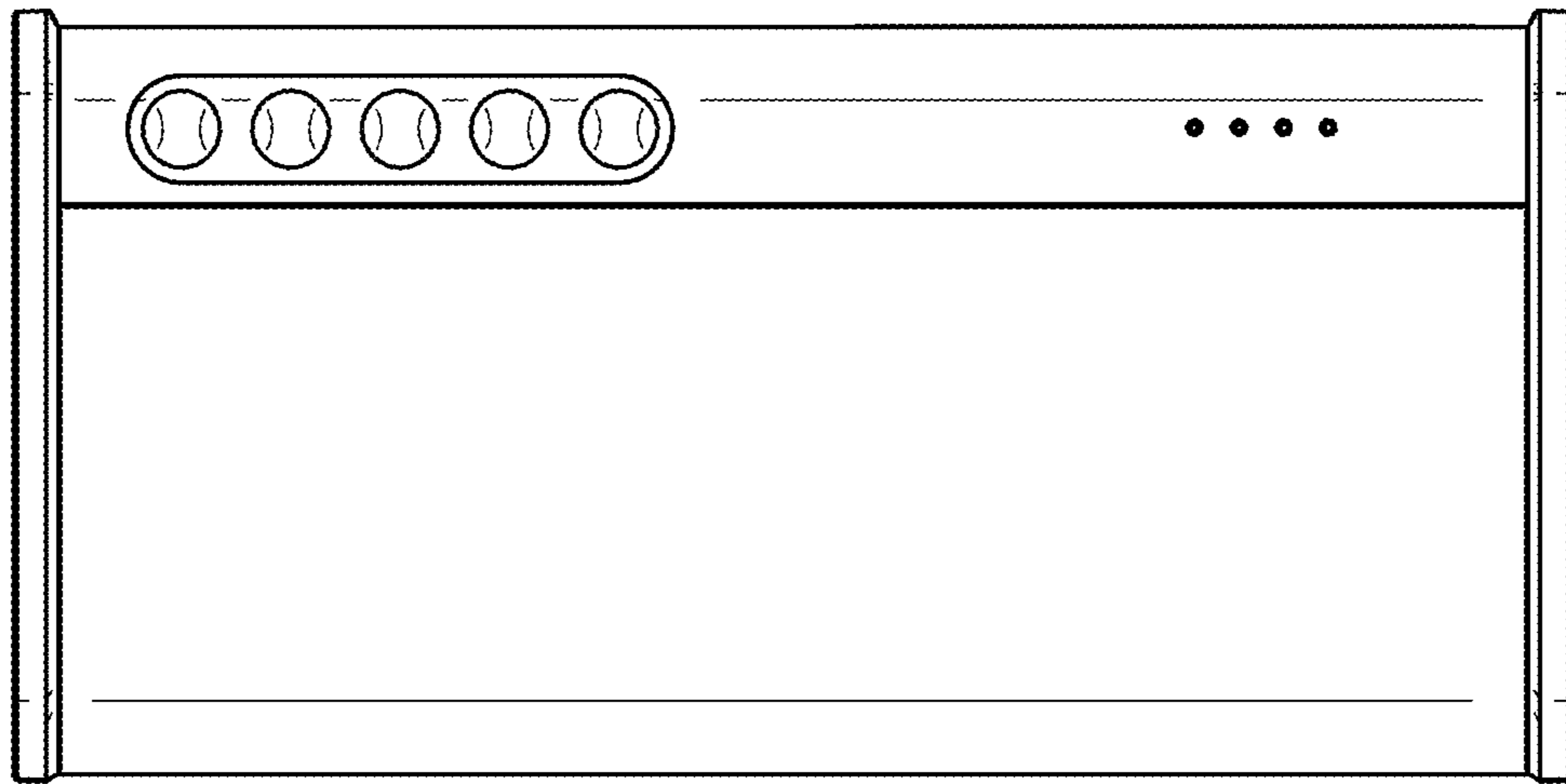


FIG. 7



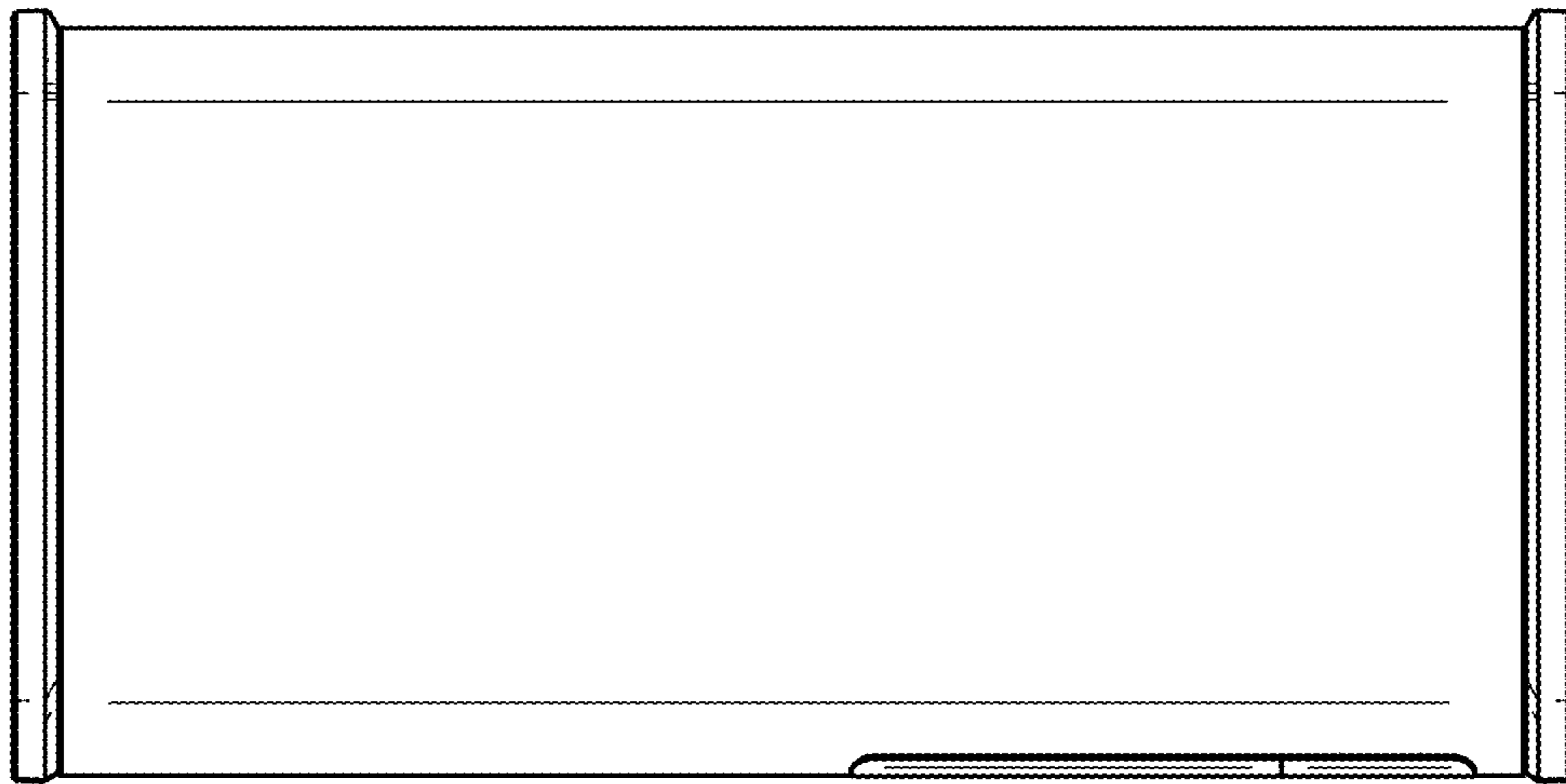


FIG. 8