



US00D833414S

(12) **United States Design Patent** (10) **Patent No.:** **US D833,414 S**
Brennan et al. (45) **Date of Patent:** **** Nov. 13, 2018**

(54) **SPEAKER**
(71) Applicant: **Ninety7, Inc.**, Wheaton, IL (US)
(72) Inventors: **Kevin Brennan**, Wheaton, IL (US);
Mike Prstojevich, Portland, OR (US)
(73) Assignee: **Ninety7, Inc.**, Wheaton, IL (US)
(**) Term: **15 Years**
(21) Appl. No.: **29/586,627**
(22) Filed: **Dec. 6, 2016**
(51) **LOC (11) Cl.** **14-01**
(52) **U.S. Cl.**
USPC **D14/204**
(58) **Field of Classification Search**
USPC D14/167, 168, 170–172, 188, 204, 209.1,
D14/210–216, 219, 221, 222, 224;
181/144, 148, 153, 157, 198; 369/6–12;
381/301–303, 306, 332, 334, 336, 345,
381/361–363, 386–388
CPC G06F 1/1688; H04R 1/02; H04R 1/025;
H04R 1/026; H04R 1/323; H04R 1/403;
H04R 1/2803; H04R 1/2834; H04R 5/02;
H04R 9/06; H04R 2201/021; H04R
2400/00; H04R 2400/07; H04R 2499/11
See application file for complete search history.

D571,356 S * 6/2008 Smith D14/168
D619,424 S * 7/2010 Yang D7/615
D640,231 S * 6/2011 Joseph D14/171
D690,280 S * 9/2013 Schul D14/168
D736,186 S * 8/2015 Kauppila D14/225
2008/0226096 A1 9/2008 Waddell et al.
2012/0300962 A1* 11/2012 Devoto H04R 5/02
381/300
2014/0321686 A1 10/2014 Wegener
2017/0187206 A1 6/2017 Lafountain et al.
2017/0215004 A1 7/2017 Wengreen

* cited by examiner

Primary Examiner — Derrick E Holland
Assistant Examiner — Janice Patyk
(74) *Attorney, Agent, or Firm* — Neal, Gerber &
Eisenberg LLP

(57) **CLAIM**

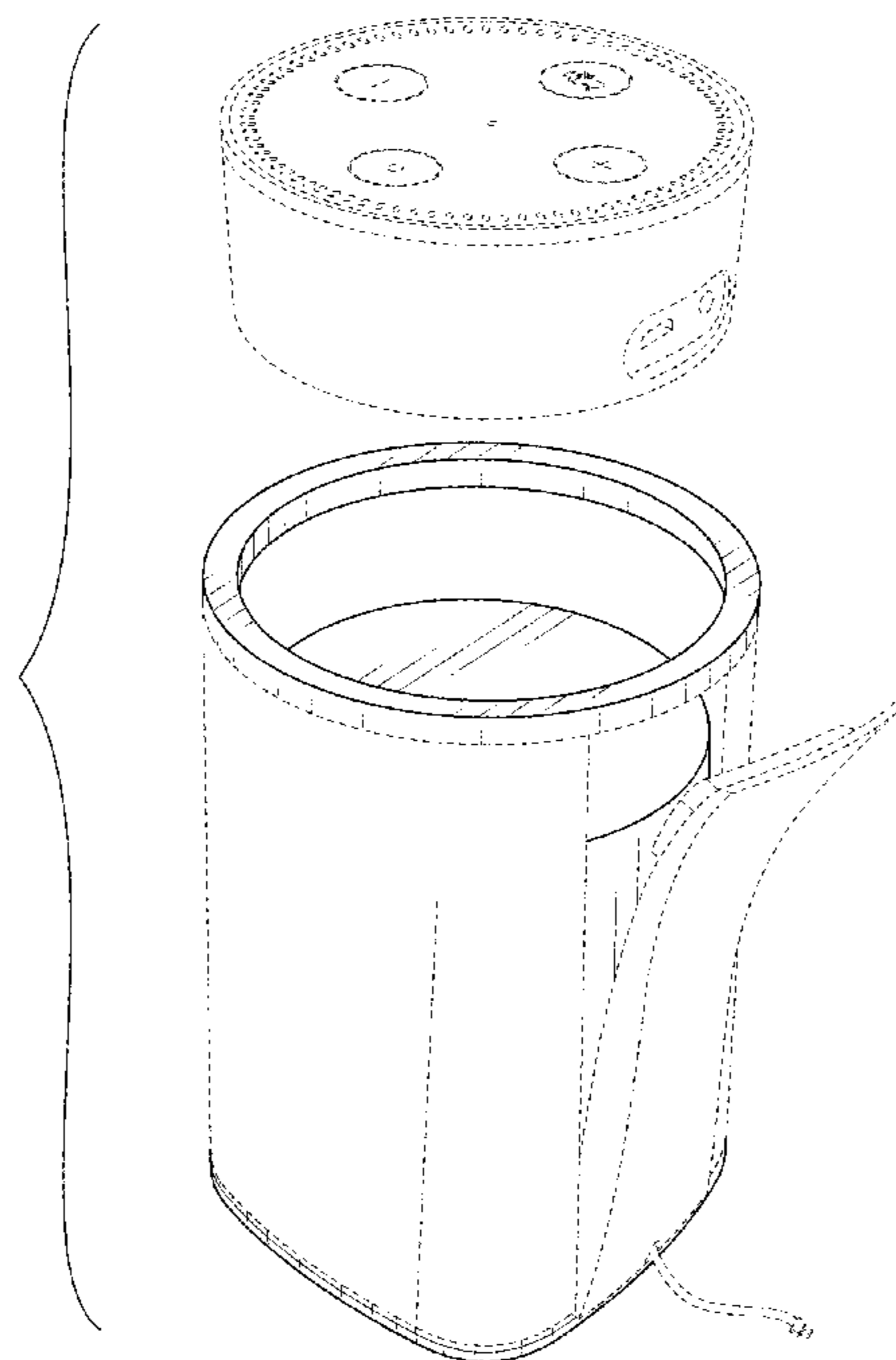
The ornamental design for a speaker, as shown and described.

DESCRIPTION

FIG. 1 is a front view of a speaker, showing our new design;
FIG. 2 is a rear view thereof;
FIG. 3 is a bottom view thereof;
FIG. 4 is a top view thereof, shown without an insert for ease of illustration;
FIG. 5 is a perspective view thereof, shown without the insert for ease of illustration; and,
FIG. 6 is an exploded perspective view thereof, shown with the rear corner in opened condition.
The broken lines in the figures illustrate the portions of the design that form no part of the claimed design.

1 Claim, 5 Drawing Sheets

(56) **References Cited**
U.S. PATENT DOCUMENTS
D461,187 S * 8/2002 Andre D14/356
D509,825 S * 9/2005 Chen D14/300
D521,811 S * 5/2006 Yourist D7/615



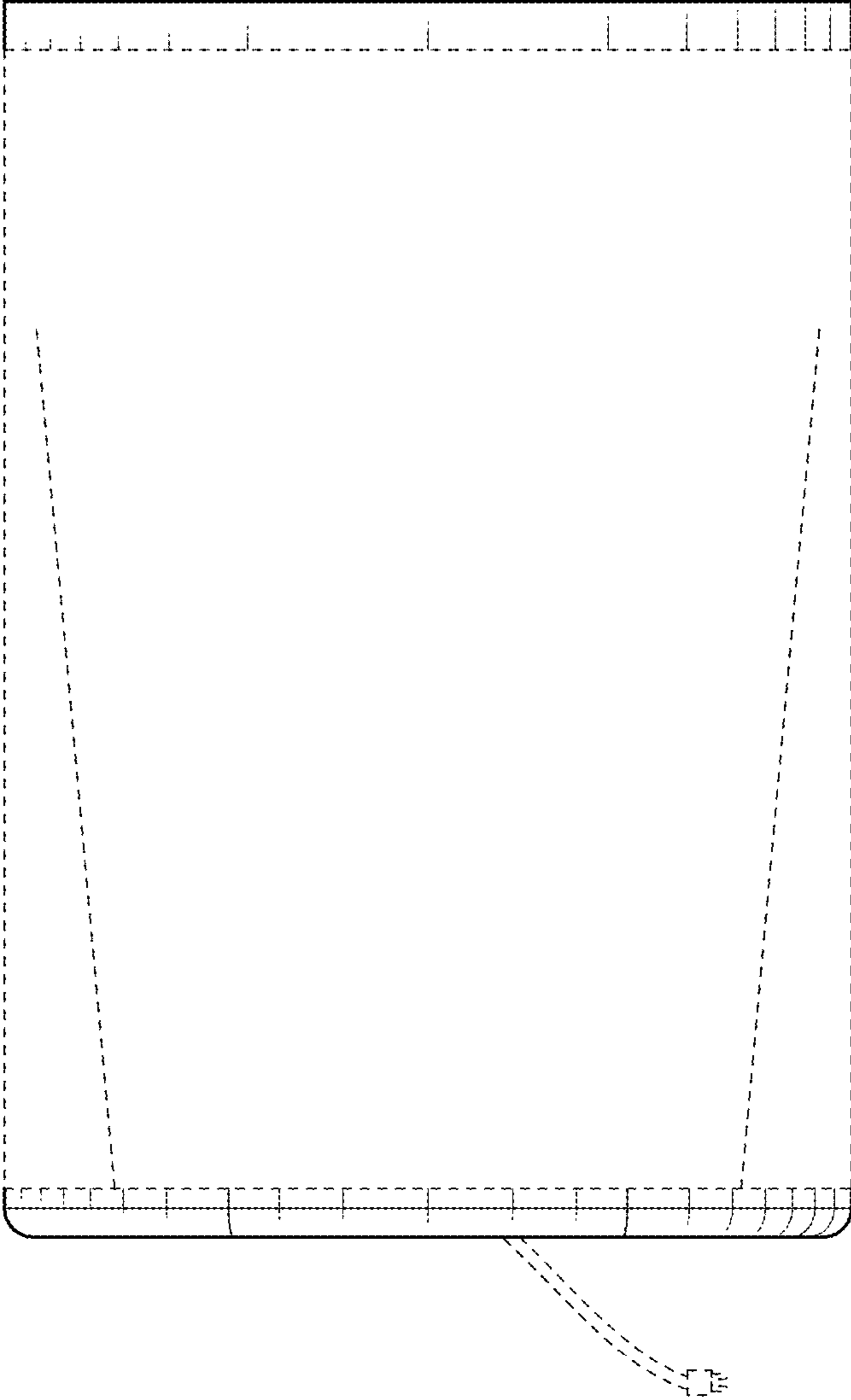


FIG. 1

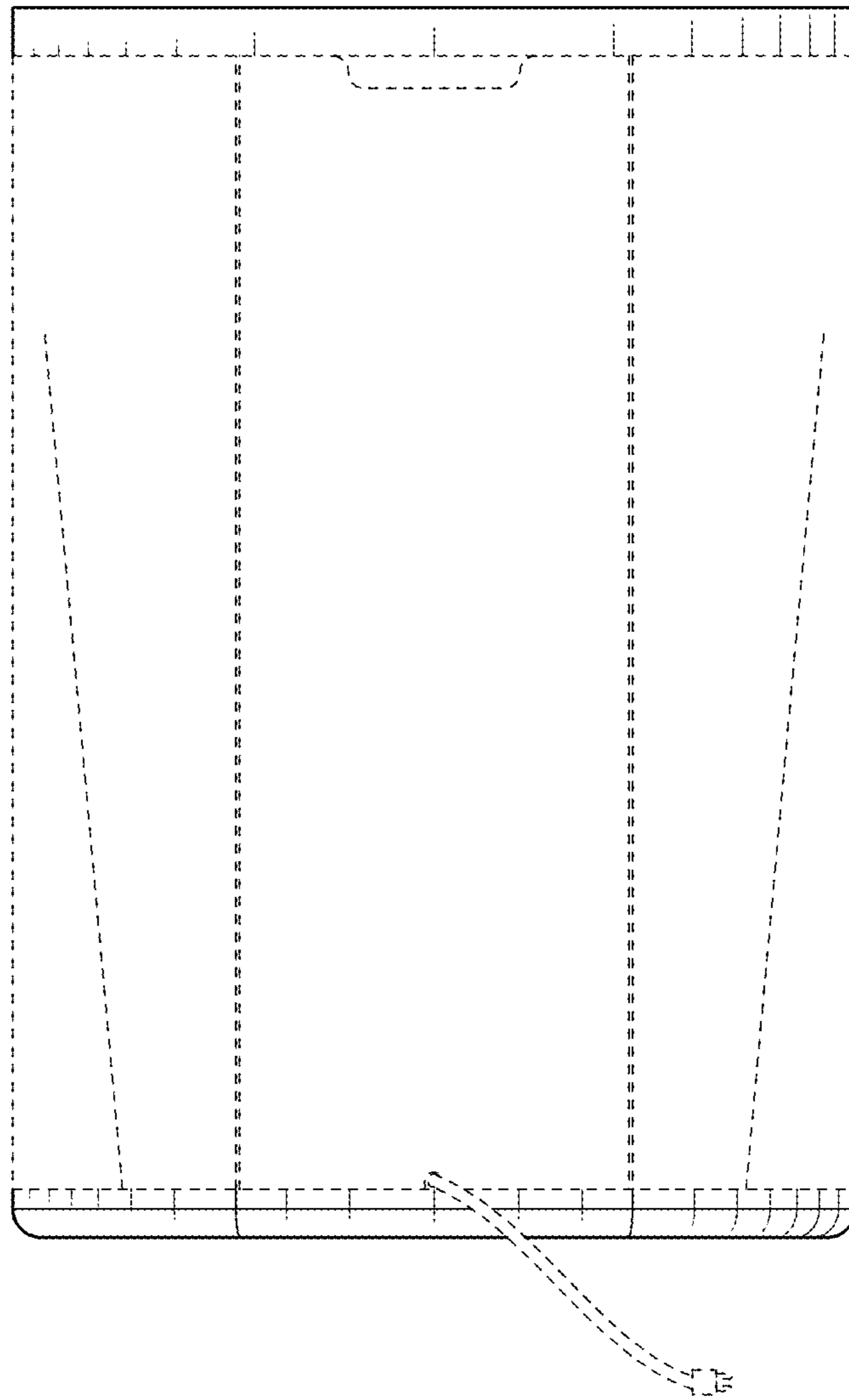


FIG. 2

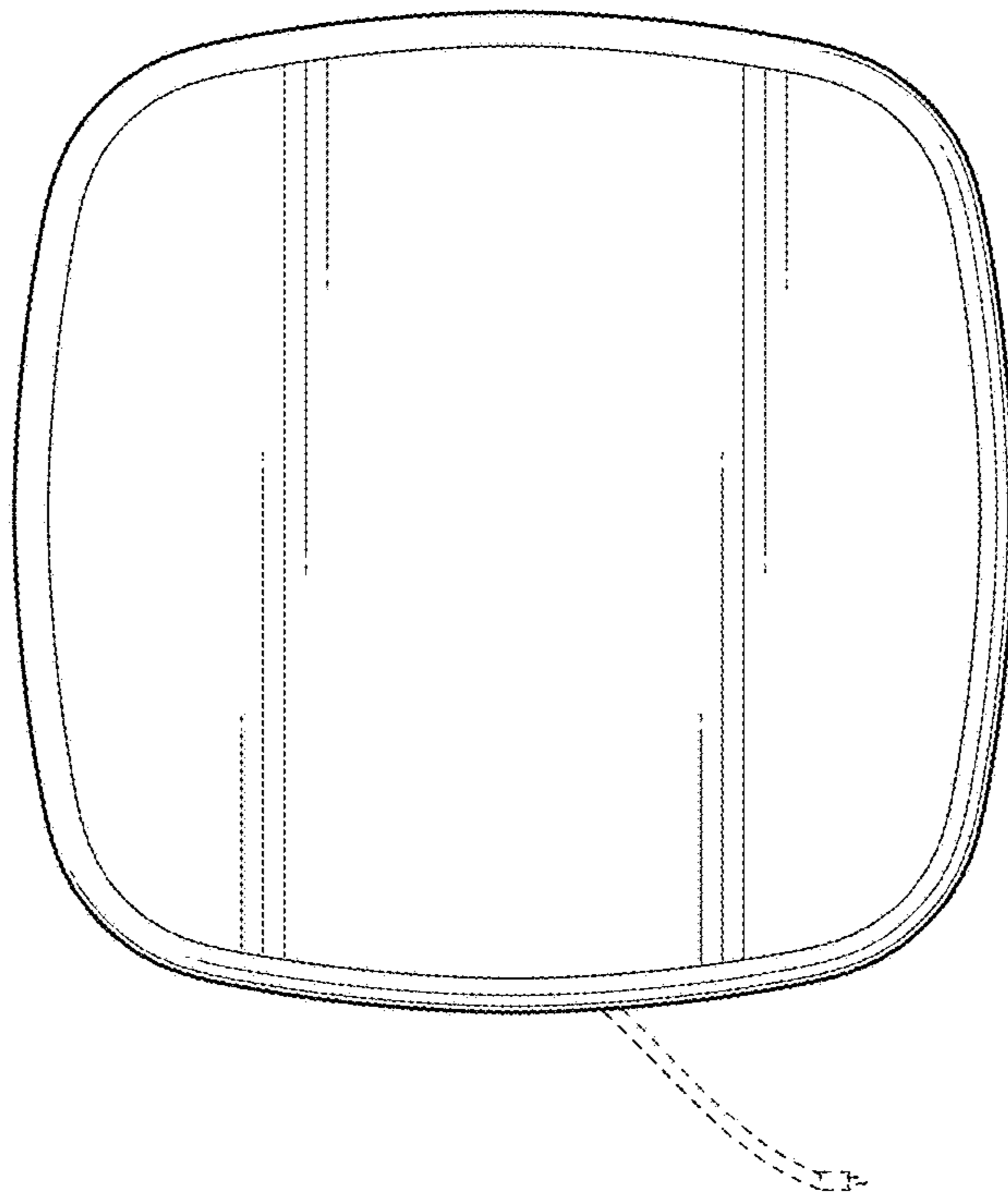


FIG. 3

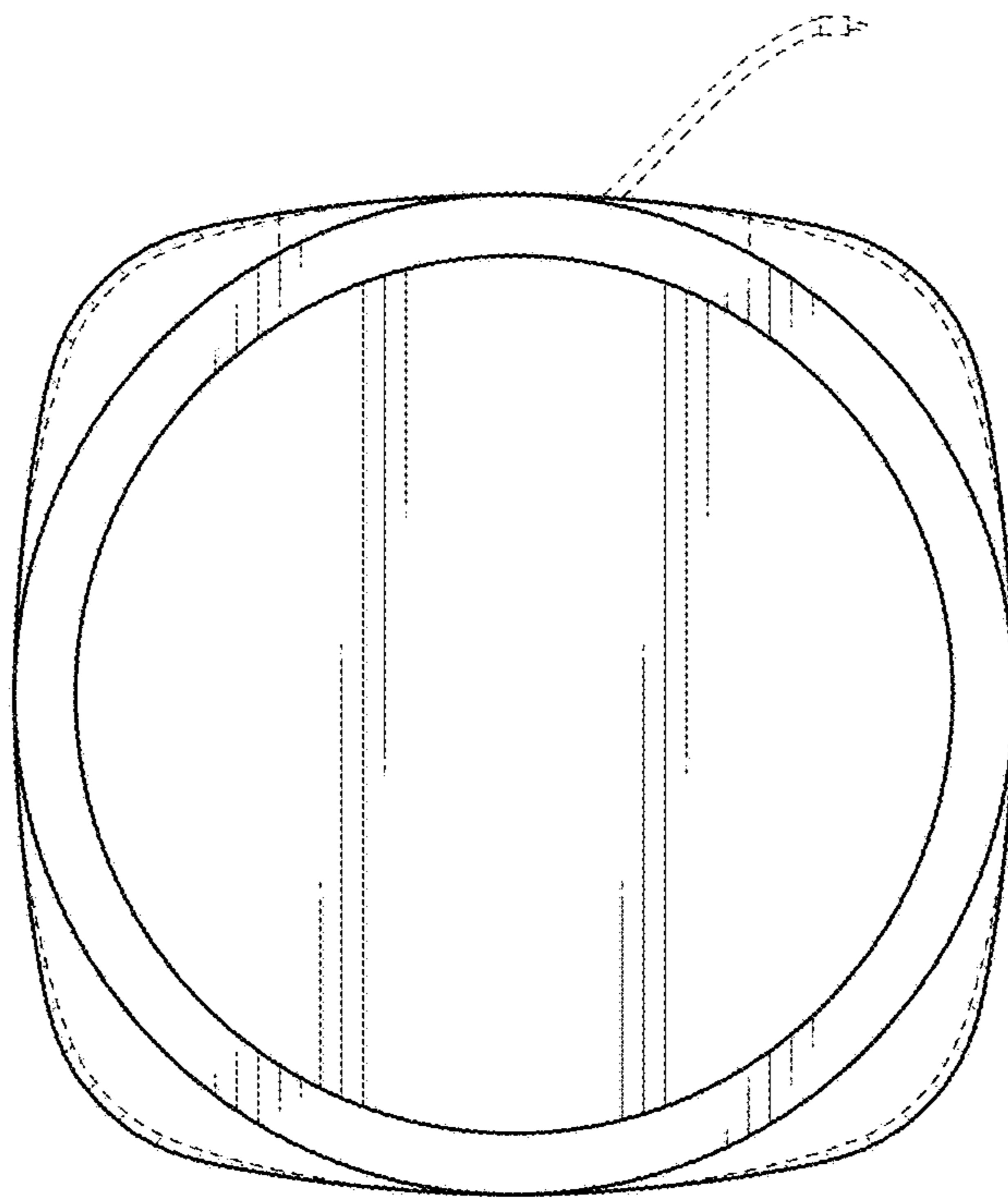


FIG. 4

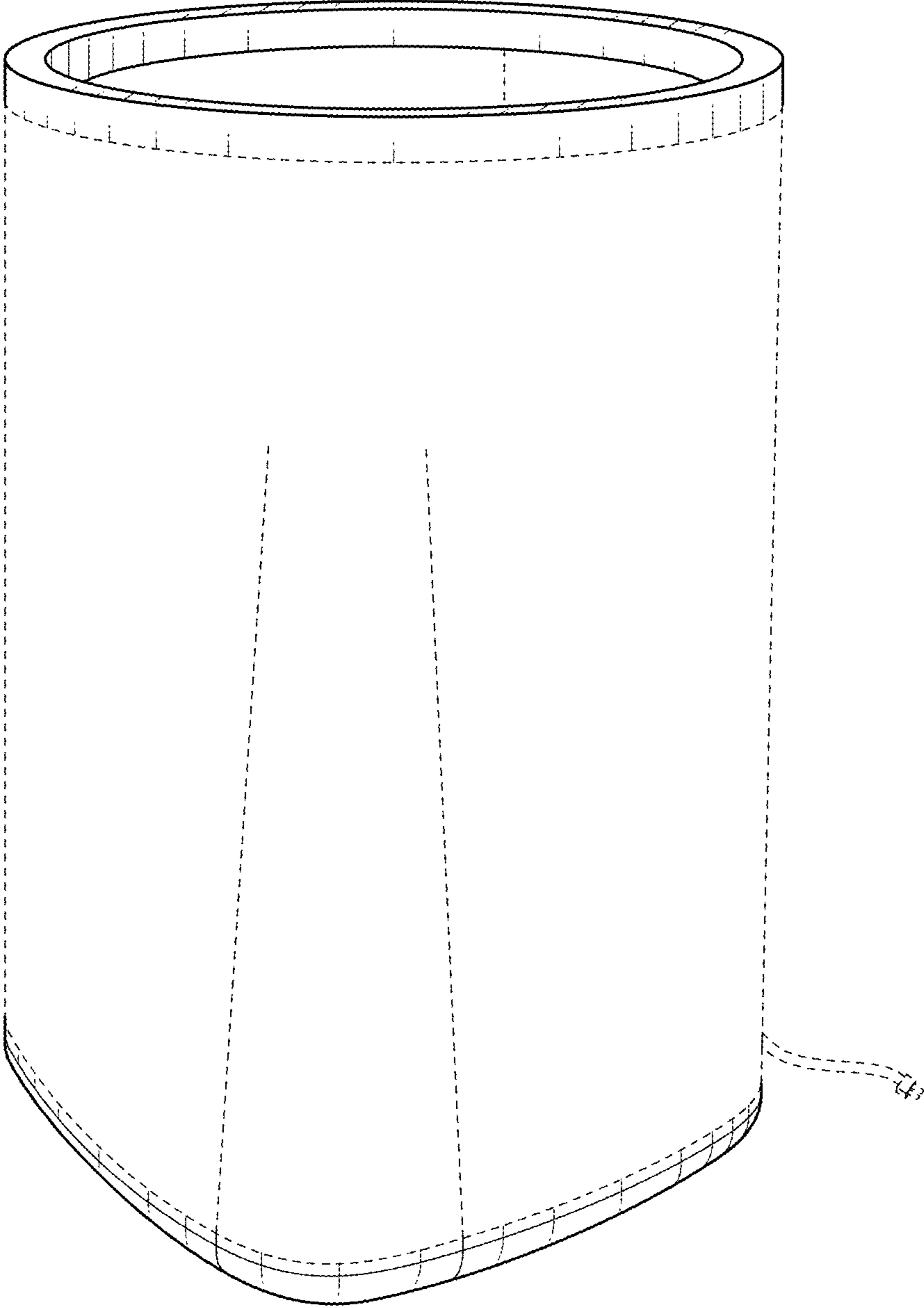


FIG. 5

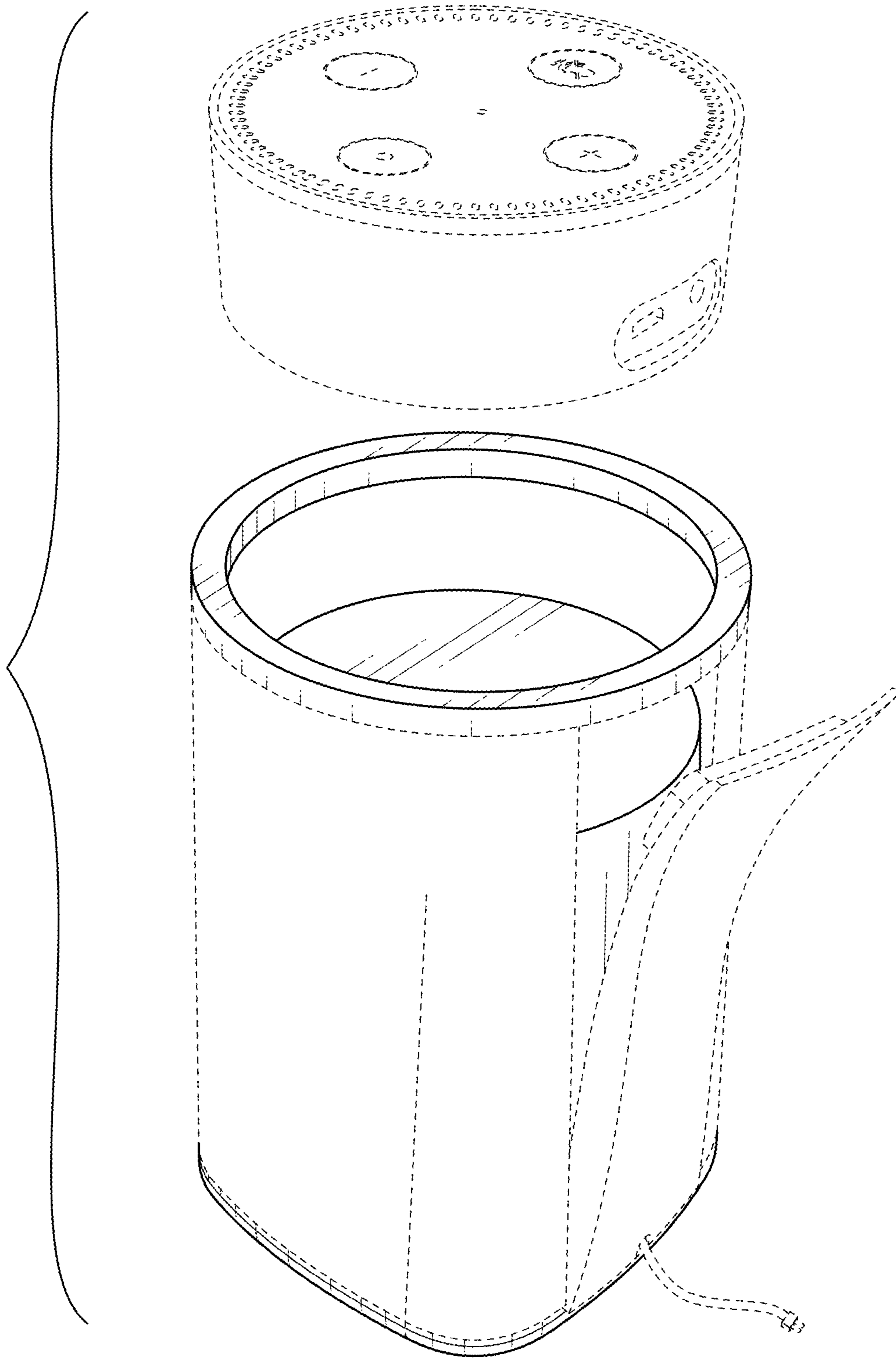


FIG. 6