



US00D833411S

(12) **United States Design Patent** (10) **Patent No.:** **US D833,411 S**
Castle et al. (45) **Date of Patent:** **** Nov. 13, 2018**

(54) **WIRELESS HUB**
(71) Applicant: **Robert Bosch GmbH**, Stuttgart (DE)
(72) Inventors: **Scott Castle**, Fairport, NY (US); **Nick Billow**, Pittsford, NY (US); **Eric Harnischfeger**, Penn Yan, NY (US); **James Thornton**, Webster, NY (US)
(73) Assignee: **Robert Bosch GmbH**, Stuttgart (DE)
(**) Term: **15 Years**
(21) Appl. No.: **29/572,121**
(22) Filed: **Jul. 25, 2016**
(51) **LOC (11) Cl.** **14-03**
(52) **U.S. Cl.**
USPC **D14/155**
(58) **Field of Classification Search**
USPC D14/167, 154, 168, 188, 496, 156, 160, D14/161, 162, 163, 164, 165, 158, 341, D14/346, 342, 345, 155, 218, 225; D16/208; D26/38; 455/351, 350, 575.1, 455/556.1; D10/104, 106, 65, 57
CPC H04B 1/385; H04M 1/6091; H04M 1/6066
See application file for complete search history.

(56) **References Cited**
U.S. PATENT DOCUMENTS
D309,728 S * 8/1990 Nuttall D14/356
D520,502 S * 5/2006 Xu D14/356
D535,981 S * 1/2007 Park D14/230
D542,784 S * 5/2007 Franck D14/240
D549,193 S * 8/2007 Gomes, II D14/126
D555,146 S * 11/2007 Sandy D14/167
D563,386 S * 3/2008 Foster D14/214
D570,846 S * 6/2008 Liu D14/433

D579,931 S * 11/2008 Chang D14/242
D579,952 S * 11/2008 Yamada D14/496
D586,327 S * 2/2009 Shimizu D14/188
D591,270 S * 4/2009 Jakobson D14/217
D641,343 S * 7/2011 Kim D14/240
D642,158 S * 7/2011 Skurdal D14/214
D667,382 S * 9/2012 Cosentino D13/168
D678,909 S * 3/2013 Akana D14/203.3
D693,329 S * 11/2013 Lee D14/210
D732,023 S * 6/2015 Asao D14/358
D751,527 S * 3/2016 Hinokio D14/204
D760,684 S * 7/2016 Green D14/204
D767,568 S * 9/2016 McWilliam D14/358
D773,941 S * 12/2016 Holzer D10/22
D774,492 S * 12/2016 Jinjin D14/216
D792,409 S * 7/2017 Shim D14/435
D809,481 S * 2/2018 McManigal D14/216

* cited by examiner

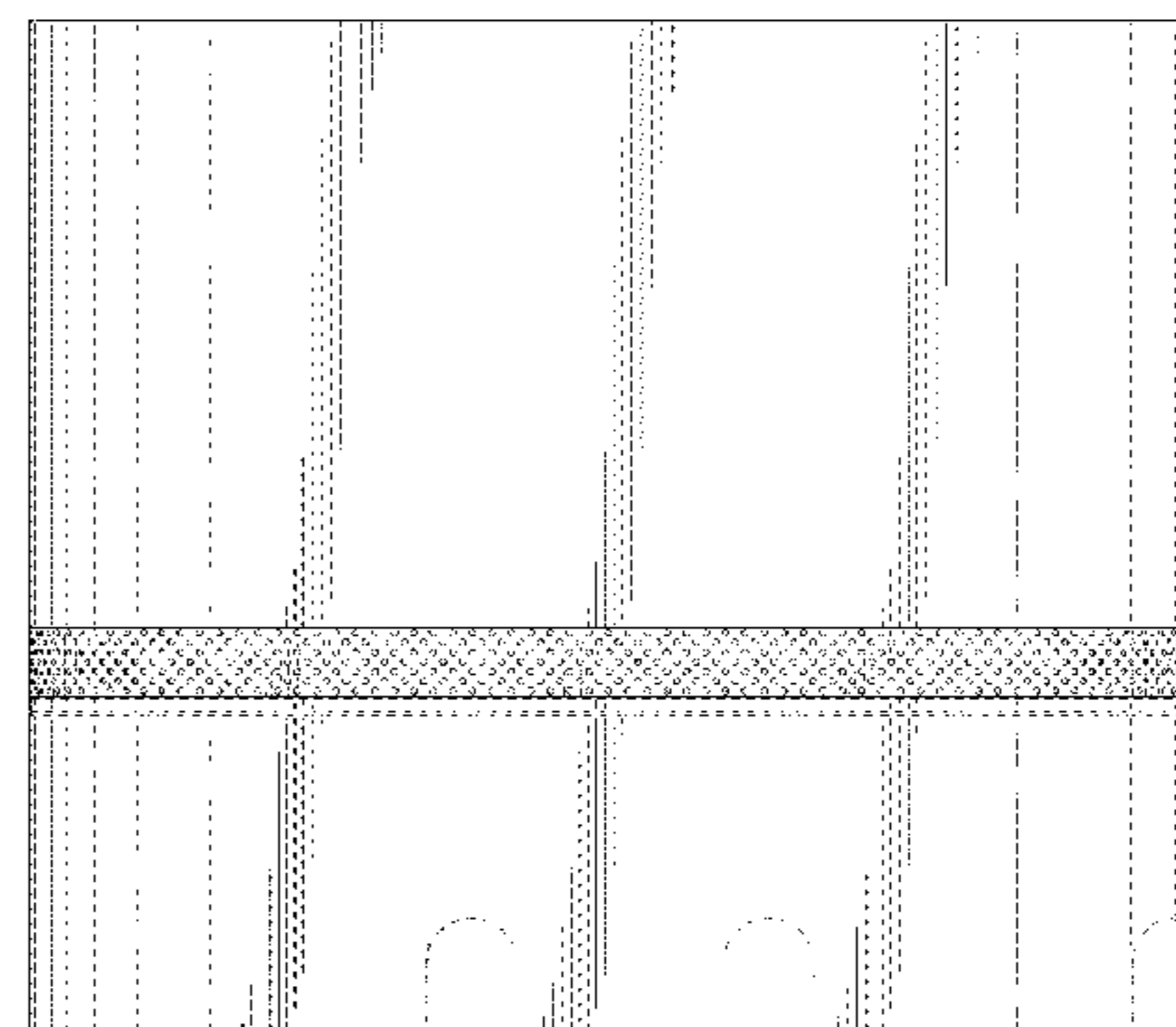
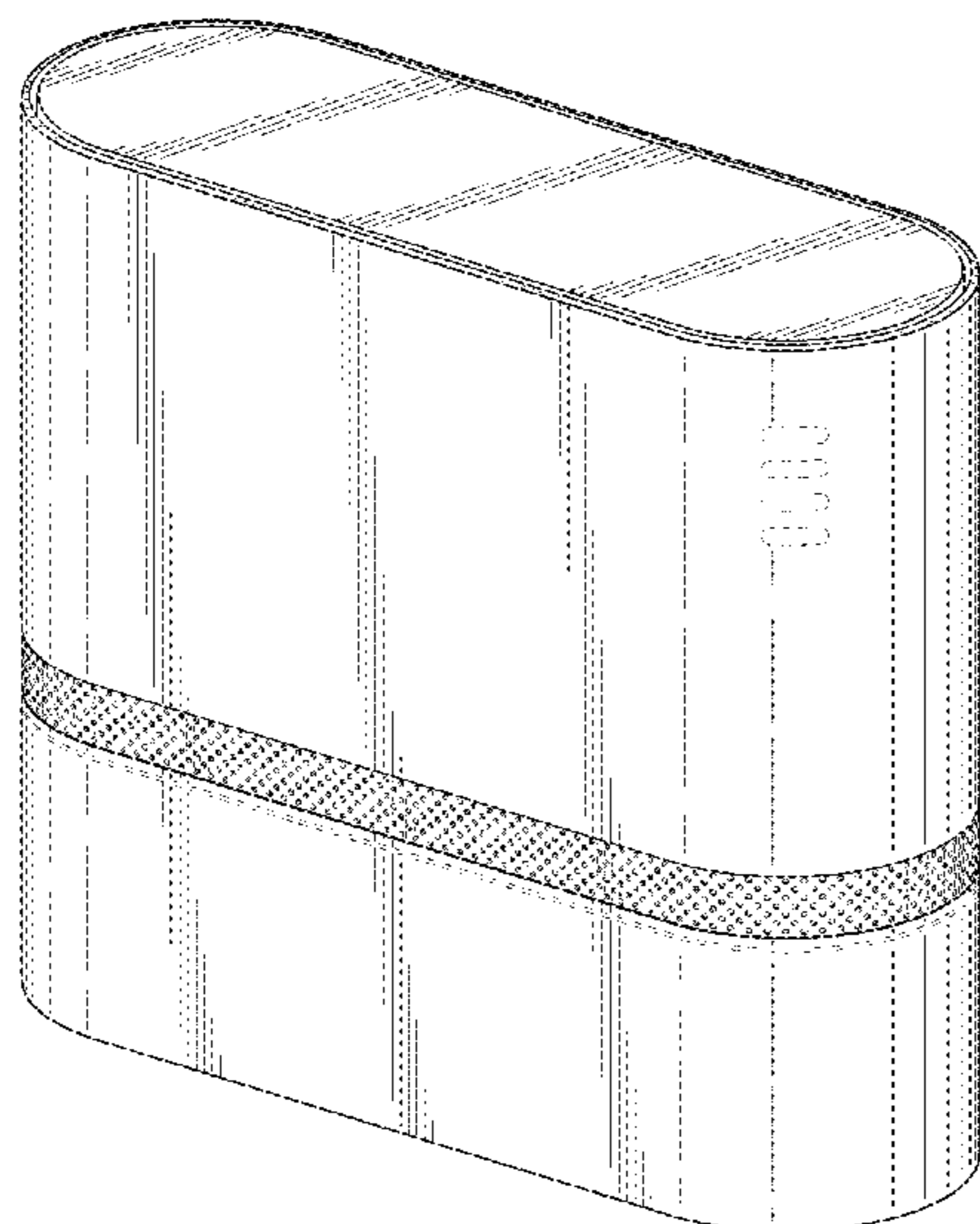
Primary Examiner — Austin Murphy
(74) *Attorney, Agent, or Firm* — Michael Best & Friedrich LLP

(57) **CLAIM**
We claim the ornamental design for the wireless hub, as shown and described.

DESCRIPTION

FIG. 1 is a perspective view of a first embodiment of the wireless hub;
FIG. 2 is a front view thereof;
FIG. 3 is a back view thereof;
FIG. 4 is a right side view thereof;
FIG. 5 is a left side view thereof;
FIG. 6 is a top view thereof; and,
FIG. 7 is a bottom view thereof.
In the drawings, the broken lines disclose environmental subject matter only and form no part of the claimed design.

1 Claim, 5 Drawing Sheets



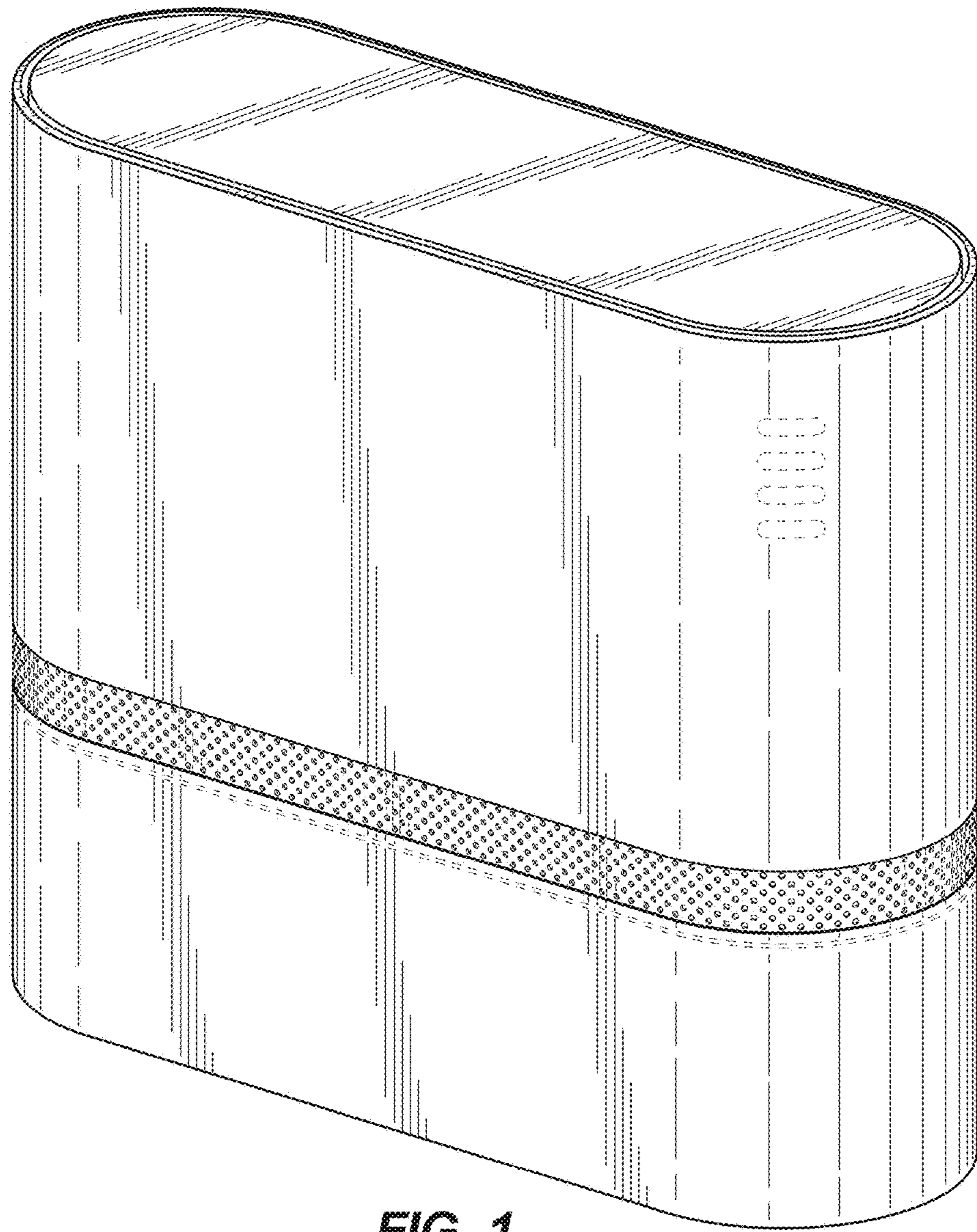


FIG. 1

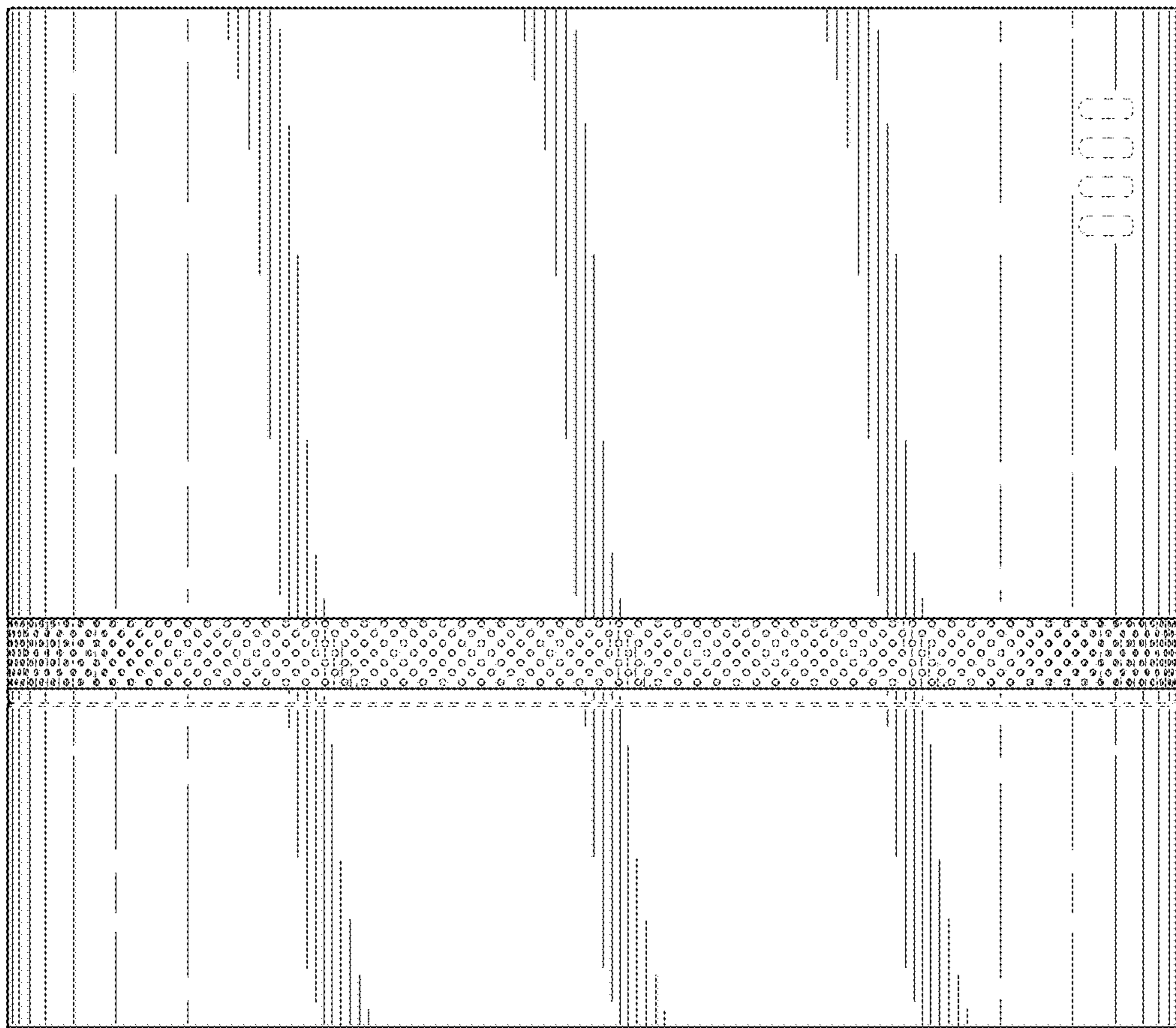


FIG. 2

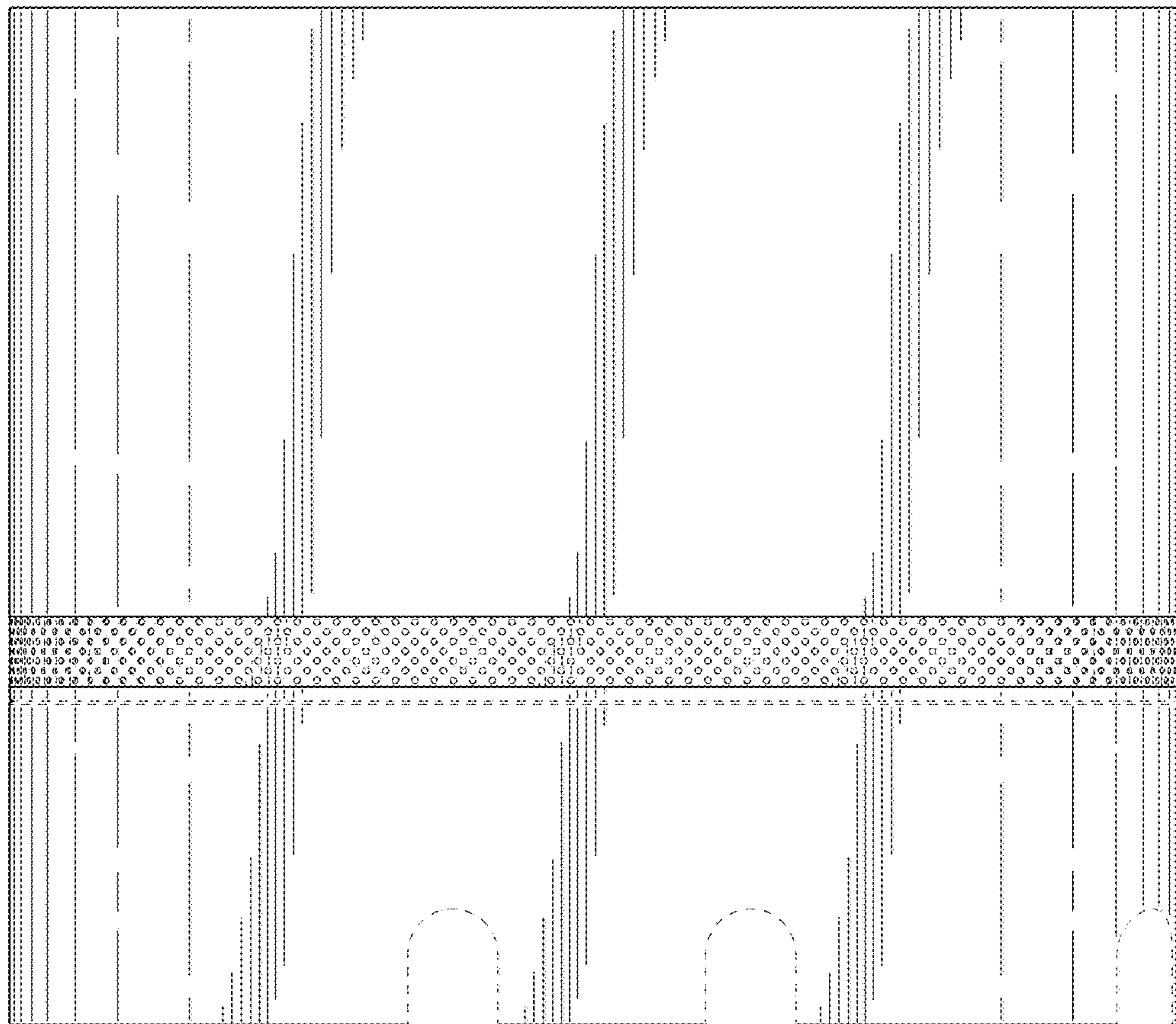


FIG. 3

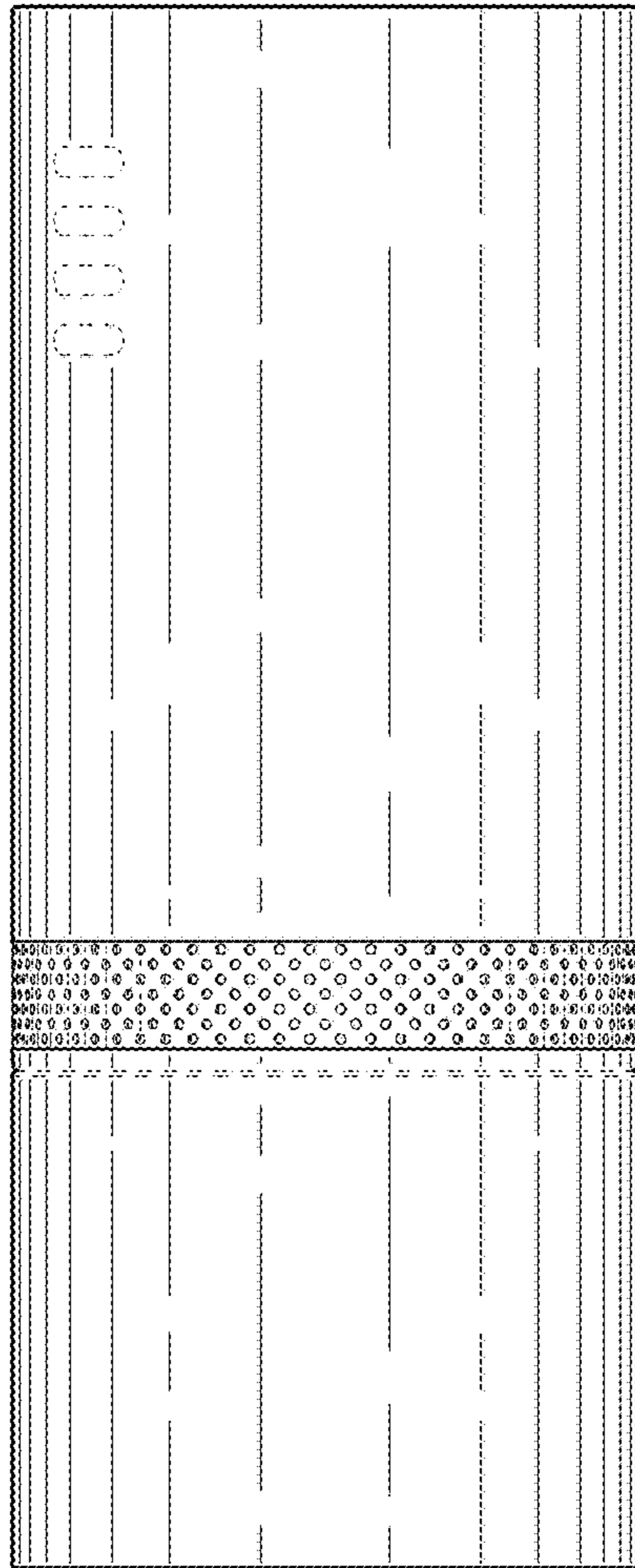


FIG. 4

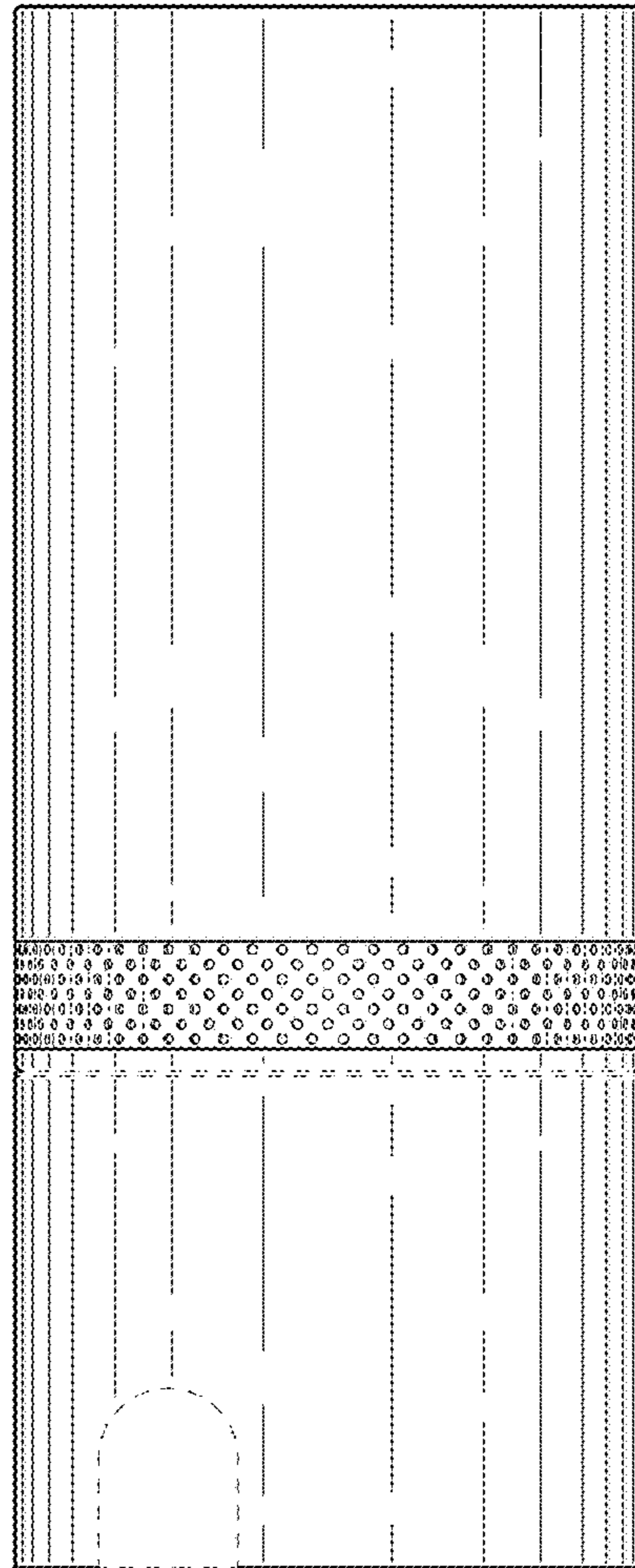


FIG. 5

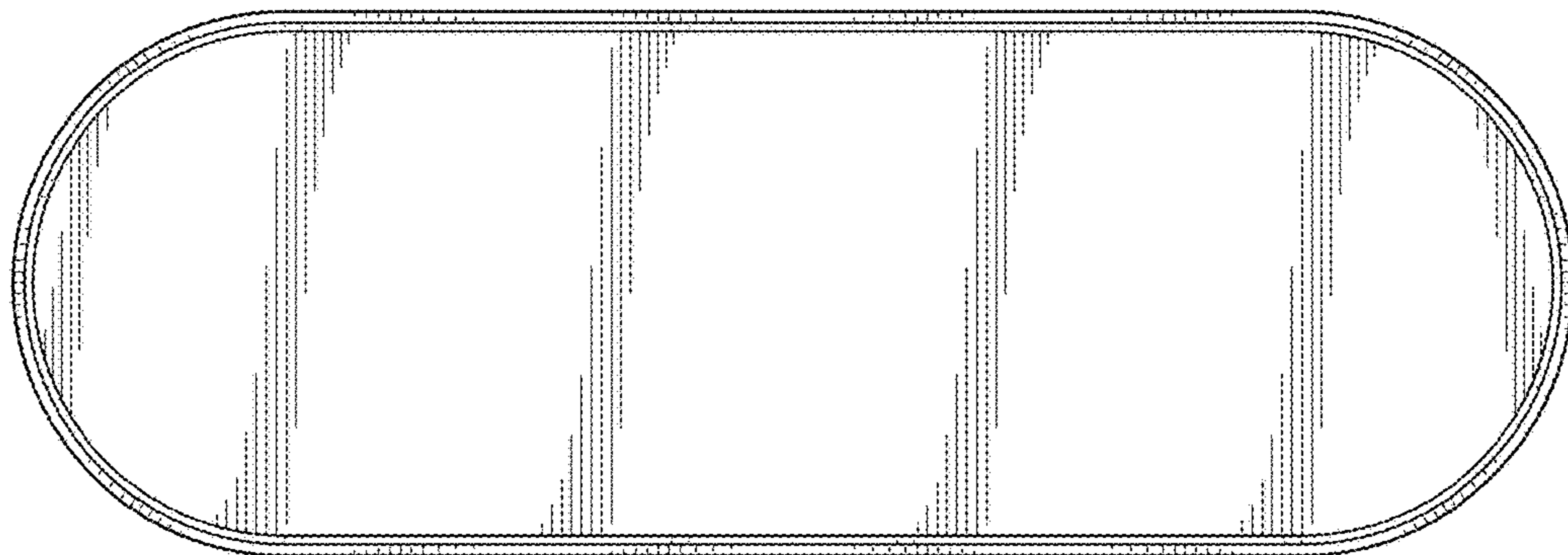


FIG. 6

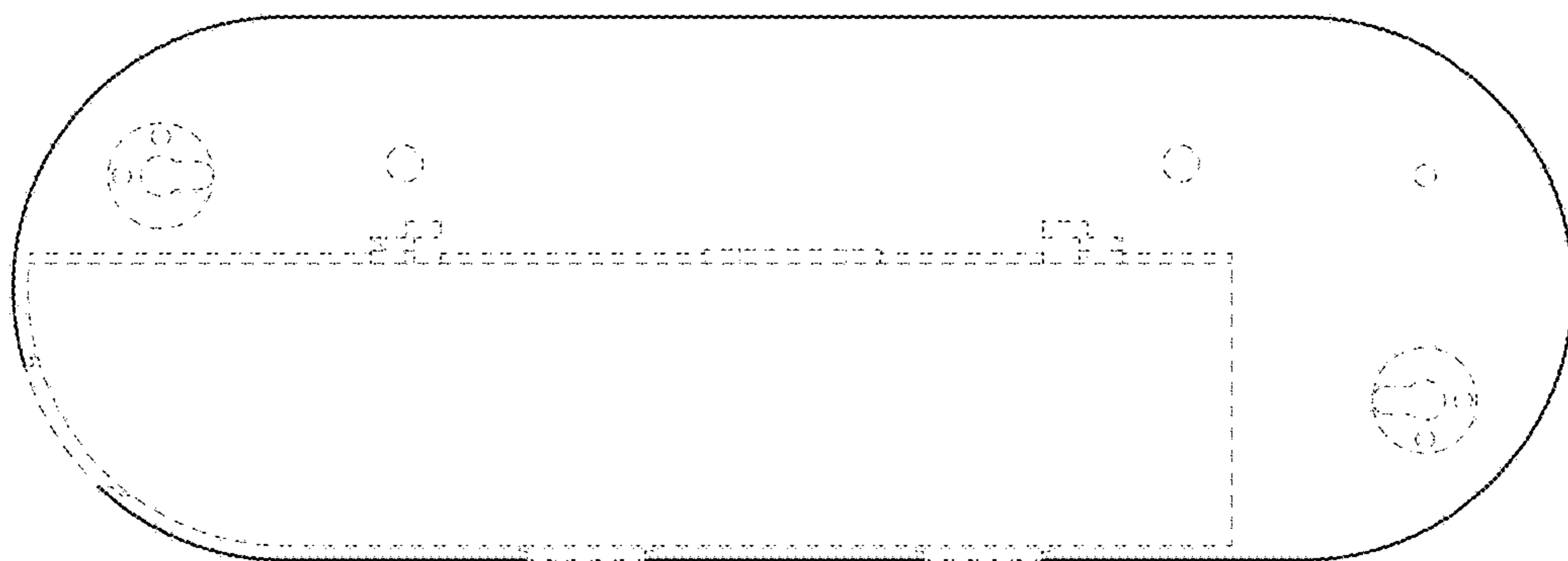


FIG. 7