



US00D833403S

(12) **United States Design Patent** (10) **Patent No.:** **US D833,403 S**  
**Seidl et al.** (45) **Date of Patent:** **\*\* \*Nov. 13, 2018**

(54) **SWITCH**  
(71) Applicant: **Raffel Systems, LLC**, Germantown, WI (US)  
(72) Inventors: **Kenneth G. Seidl**, Port Washington, WI (US); **Paul Li**, Milwaukee, WI (US)  
(73) Assignee: **Raffel Systems, LLC.**, Germantown, WI (US)  
(\* ) Notice: This patent is subject to a terminal disclaimer.  
(\*\*) Term: **15 Years**  
(21) Appl. No.: **29/619,212**  
(22) Filed: **Sep. 27, 2017**  
(51) **LOC (11) Cl.** ..... **13-03**  
(52) **U.S. Cl.**  
USPC ..... **D13/162; D13/171**  
(58) **Field of Classification Search**  
USPC ..... **D13/162, 164, 171, 173, 174**  
CPC ..... **H01H 3/02; H01H 3/022; H01H 3/12; H01H 3/122; H01H 9/02; H01H 9/0235; H01H 13/023; H01H 13/04; H01H 13/06; H01H 13/063; H01H 13/10; H01H 13/12; H01H 13/14; H01H 13/36; H01H 13/70; H01H 13/86; H01H 21/24; H01H 25/065; A47C 1/0345; A47C 1/035; A47C 7/506**  
See application file for complete search history.

(56) **References Cited**  
U.S. PATENT DOCUMENTS  
D305,018 S 12/1989 Pena et al.  
D305,019 S 12/1989 Pena et al.  
5,362,932 A 11/1994 Inagaki et al.  
6,800,819 B2 10/2004 Sato et al.  
6,841,748 B2 1/2005 Serizawa et al.

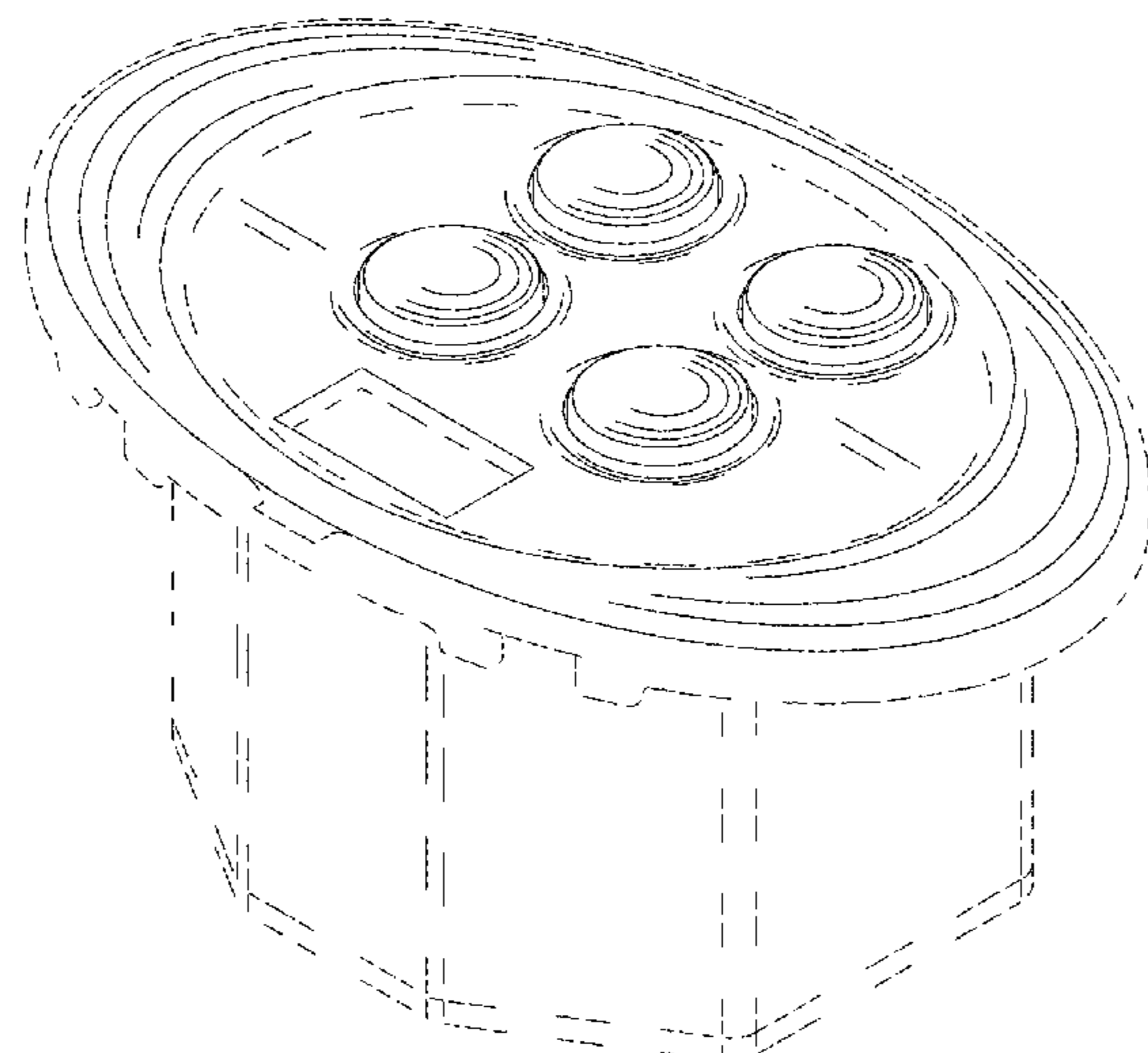
7,087,847 B2 8/2006 Parkinson et al.  
D534,870 S 1/2007 Metschen et al.  
D571,308 S 6/2008 Gastelum et al.  
D607,852 S 1/2010 Riede  
D643,377 S \* 8/2011 Brennan, III ..... D13/164  
D689,825 S \* 9/2013 Wenji ..... D13/162  
8,766,115 B2 7/2014 Kristen  
8,884,175 B2 \* 11/2014 Botez ..... H01H 21/18  
200/341  
D720,305 S 12/2014 Wenji  
D733,078 S 6/2015 Wu  
D739,361 S 9/2015 Wenji  
D740,238 S 10/2015 Dorn et al.  
D740,763 S \* 10/2015 Wenji ..... D13/162  
D748,590 S 2/2016 Dorn et al.  
D758,325 S 6/2016 Cook et al.  
D758,326 S \* 6/2016 Dorn ..... D13/174  
D758,975 S 6/2016 Hunter et al.  
D777,688 S \* 1/2017 Seidl ..... D13/171  
D782,987 S 4/2017 Gassner  
D786,805 S \* 5/2017 Anderson ..... D13/174

(Continued)  
*Primary Examiner* — Selina Sikder  
(74) *Attorney, Agent, or Firm* — Casimir Jones S.C.; Tyler J. Sisk

(57) **CLAIM**  
The ornamental design for a switch, as shown and described.

**DESCRIPTION**  
FIG. 1 is a three-quarter perspective view showing our new design of a switch;  
FIG. 2 is a front elevational view thereof,  
FIG. 3 is a rear elevational view being thereof;  
FIG. 4 is a left side elevational view thereof,  
FIG. 5 is a right side elevational view thereof,  
FIG. 6 is a top plan view thereof; and,  
FIG. 7 is a bottom plan view thereof.  
The broken lines shown in FIGS. 1 through 7 are for the purpose of illustrating environment, and form no part of the claimed design.

**1 Claim, 7 Drawing Sheets**



(56)

**References Cited**

U.S. PATENT DOCUMENTS

9,640,343	B2 *	5/2017	Koch	.....	H01H 9/0207
D788,719	S *	6/2017	Li	.....	D13/171
9,804,632	B2 *	10/2017	Gassner	.....	G05G 1/02
D817,898	S	5/2018	Seidl et al.		
D821,986	S	7/2018	Seidl et al.		
2009/0040074	A1 *	2/2009	McTavish	.....	G06F 3/0219 341/22
2011/0198894	A1 *	8/2011	Hsieh	.....	A47C 1/0242 297/68
2014/0353134	A1 *	12/2014	Muller	.....	H01H 3/20 200/5 A

\* cited by examiner

FIG. 1

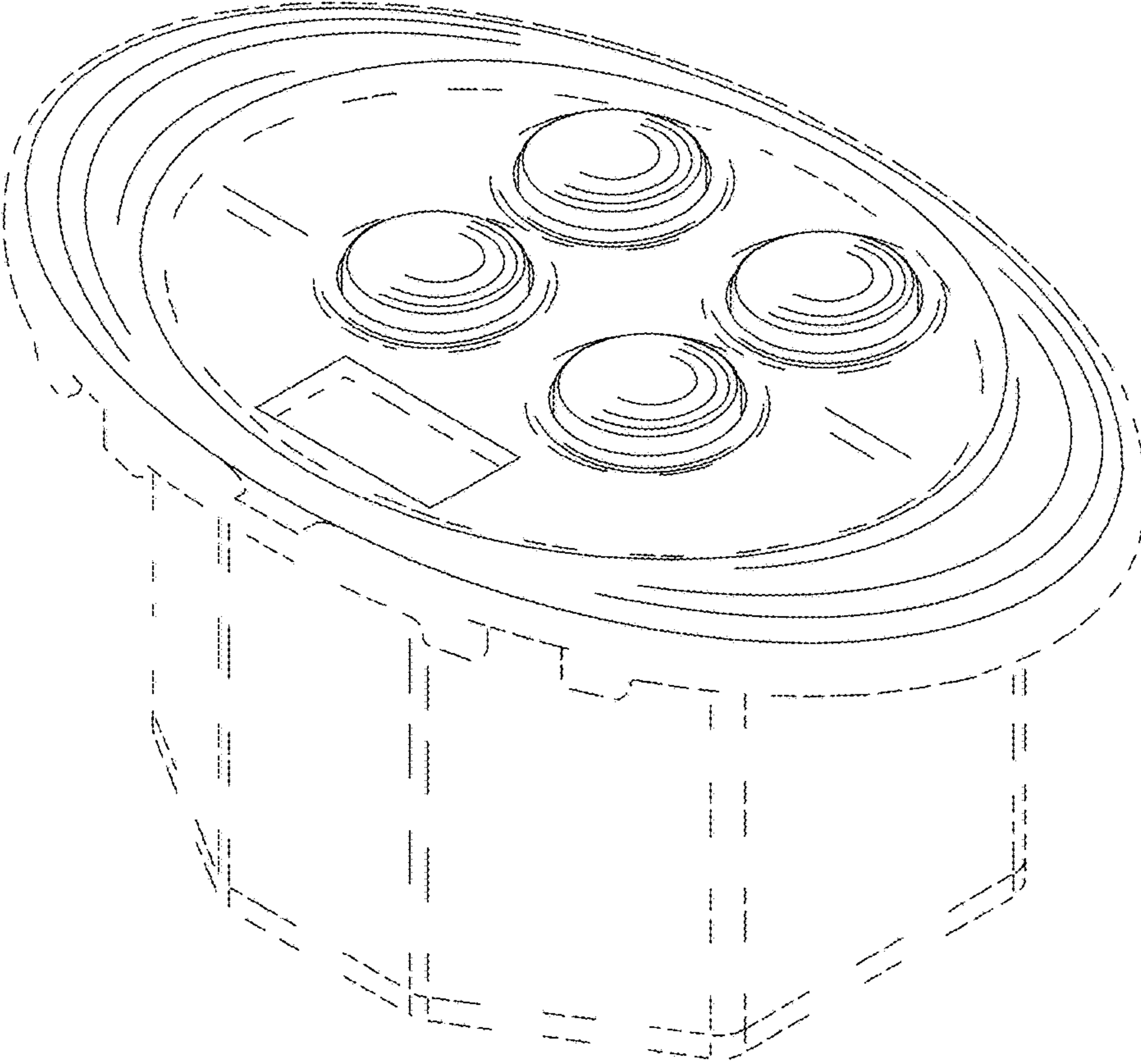


FIG. 2

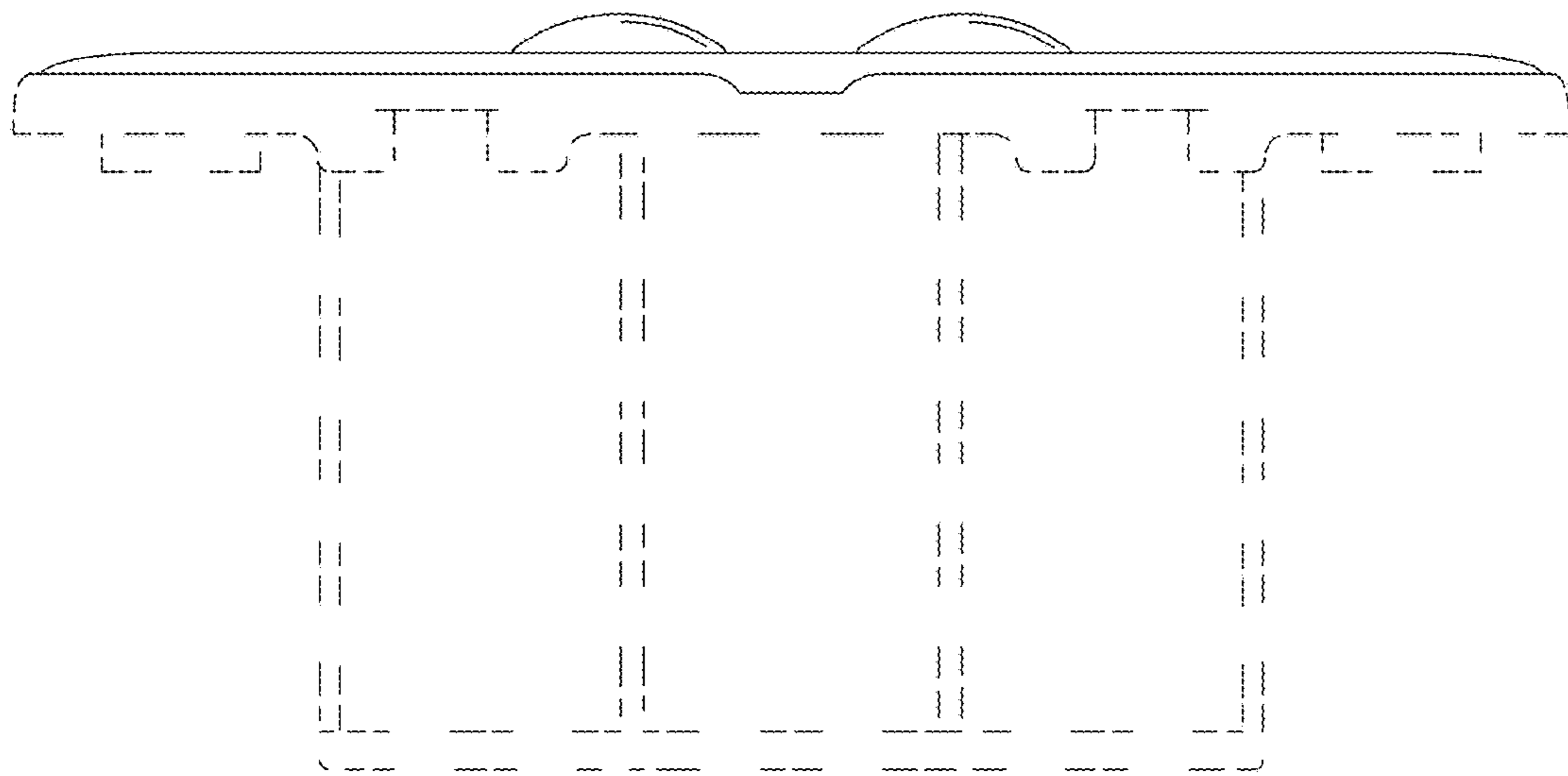


FIG. 3

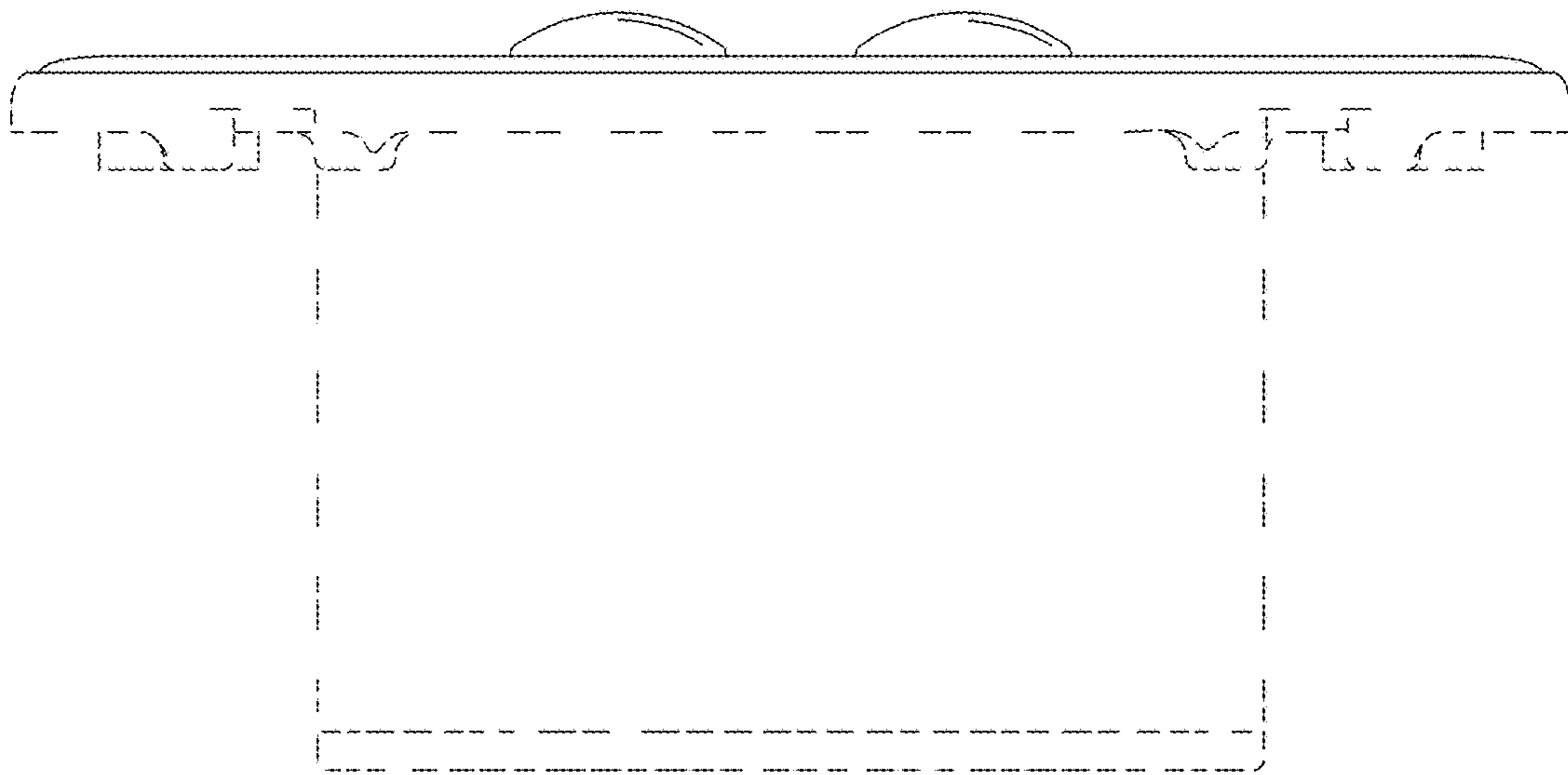


FIG. 4

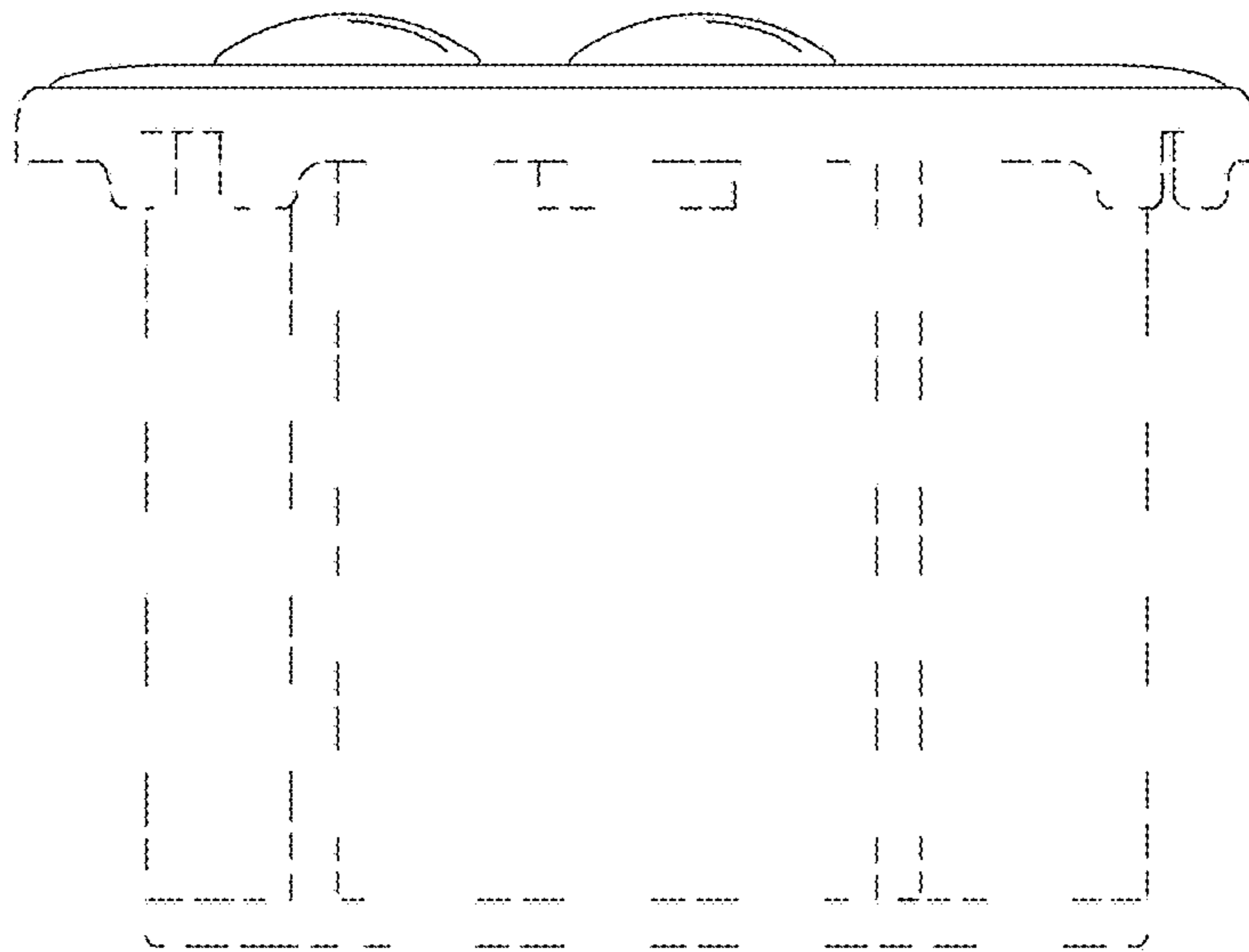


FIG. 5

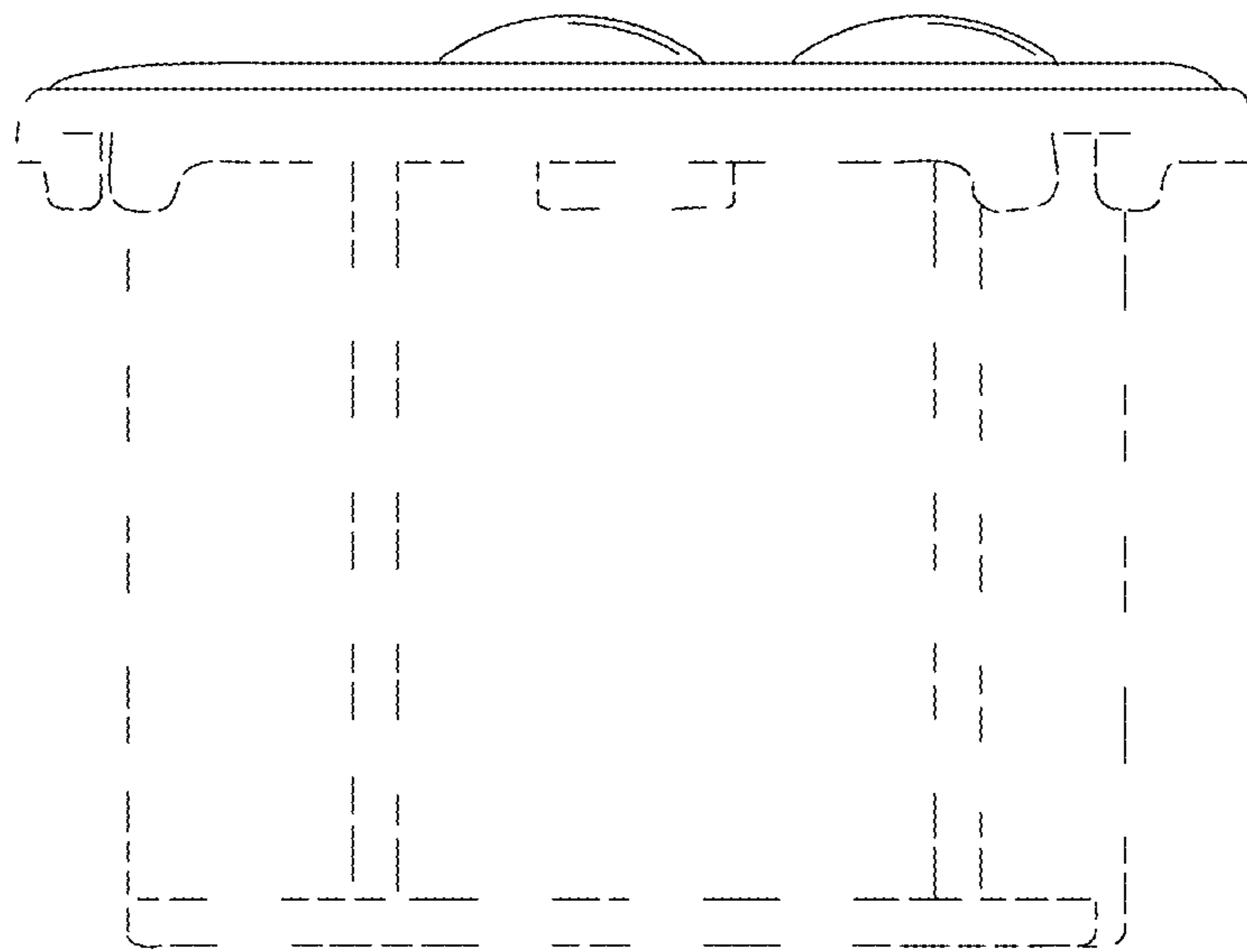


FIG. 6

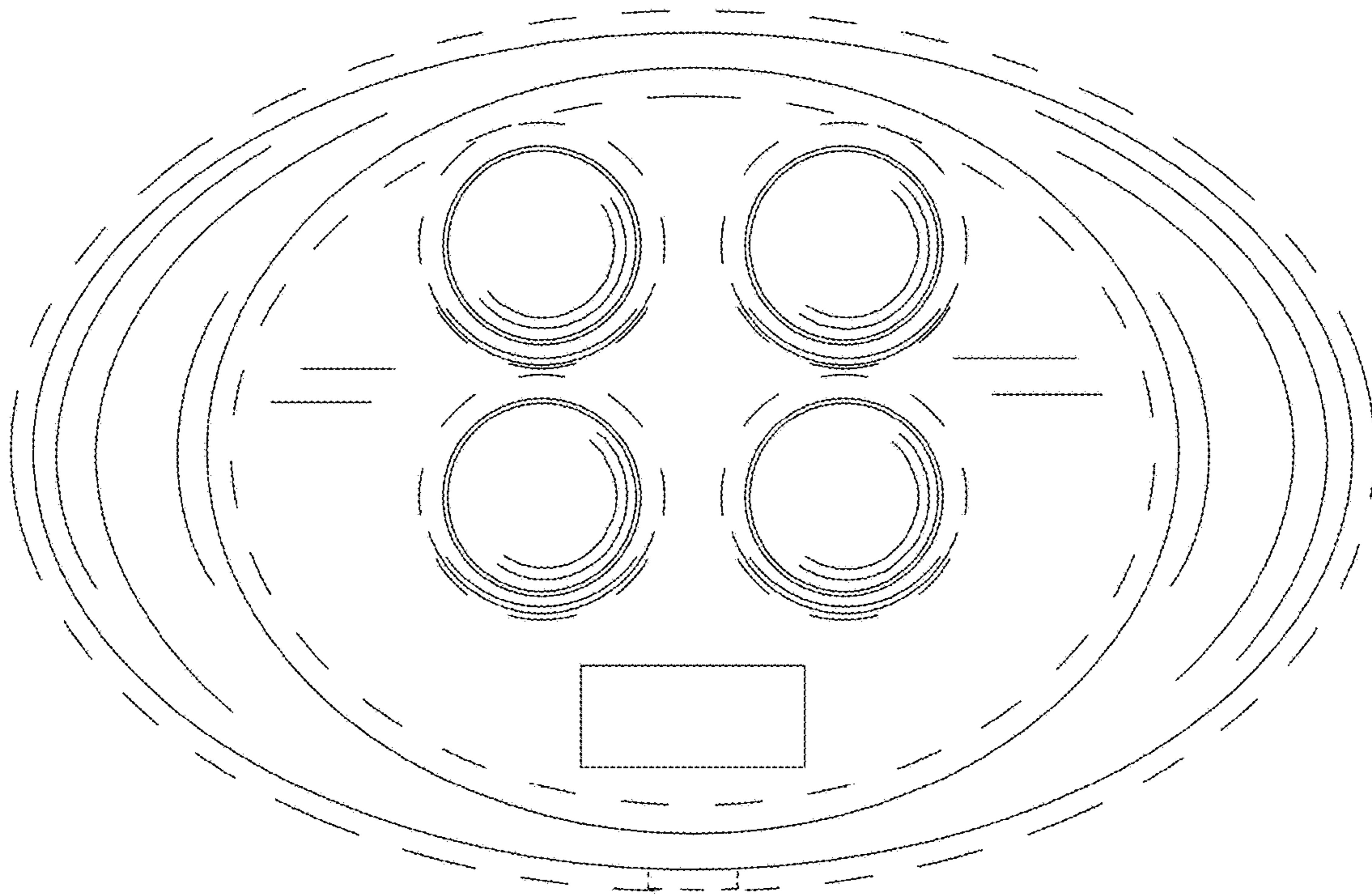




FIG. 7

