



US00D833402S

(12) **United States Design Patent** (10) **Patent No.:** **US D833,402 S**
Lundy et al. (45) **Date of Patent:** **** Nov. 13, 2018**

(54) **HOME AUTOMATION CONTROL DEVICE**

(71) Applicant: **Brightswitch, Inc.**, Bend, OR (US)

(72) Inventors: **Ray Lundy**, Bend, OR (US); **Bryan Dervarics**, Bend, OR (US)

(73) Assignee: **Brightswitch, Inc.**, Bend, OR (US)

(**) Term: **15 Years**

(21) Appl. No.: **29/592,427**

(22) Filed: **Jan. 30, 2017**

(51) **LOC (11) Cl.** **13-03**

(52) **U.S. Cl.**
USPC **D13/162**

(58) **Field of Classification Search**
USPC D13/162, 168; D14/126, 129, 336, 337,
D14/341, 371, 375, 218; D10/49, 50,
D10/104.1, 106.1, 106.95
CPC F24F 11/00; F24F 11/0012; F24F 11/0086;
F24F 11/0009; F24F 2011/0057; F24F
2011/0073; F24F 2011/0091; G05B
19/0426; G05B 19/409; G05B 15/02;
G06F 1/1601; G06F 3/041; G06F 3/044;
G06F 3/0482; G06F 3/0488; G06F
3/0489; G05D 23/1902; G05D 23/1905;
G05D 23/1931; G02F 1/33308; H01H
9/02; H05B 37/02

See application file for complete search history.

(56) **References Cited**

U.S. PATENT DOCUMENTS

4,665,544	A	5/1987	Honda et al.	
5,832,195	A	11/1998	Braun et al.	
7,047,092	B2 *	5/2006	Wimsatt	G05B 15/02 345/173
D592,081	S *	5/2009	Kachlick	D10/50
8,149,222	B2 *	4/2012	Hsieh	G06F 3/041 345/173
D666,509	S *	9/2012	Beland	D10/50

D695,702	S *	12/2013	Kim	D14/138 G
D727,857	S *	4/2015	Acera	D13/162
D743,349	S *	11/2015	Leeland	D10/50
D744,433	S *	12/2015	Baumgartner	D10/49
9,488,380	B2 *	11/2016	Ino	G05D 23/1905
D778,245	S *	2/2017	Feldstein	D13/162
D787,465	S *	5/2017	Levi	D14/138 G
9,823,672	B2 *	11/2017	McCurnin	G05D 23/1905
9,920,946	B2 *	3/2018	Gourlay	F24F 11/62

(Continued)

OTHER PUBLICATIONS

Leviton Manufacturing Co., Inc., OmniTouch 7 Touchscreen webpage, <http://home.leviton.com/products/omnitouch7/>, accessed May 1, 2017, 4 pages.

(Continued)

Primary Examiner — Selina Sikder

(74) *Attorney, Agent, or Firm* — Kolisch Hartwell, P.C.

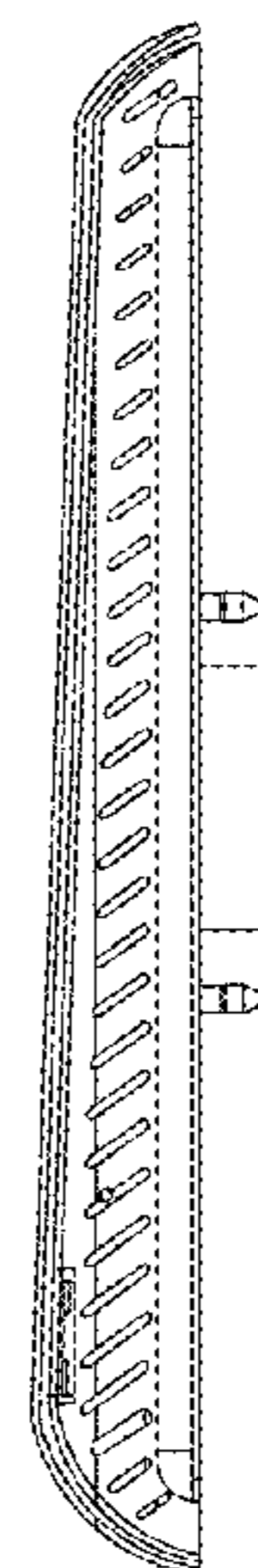
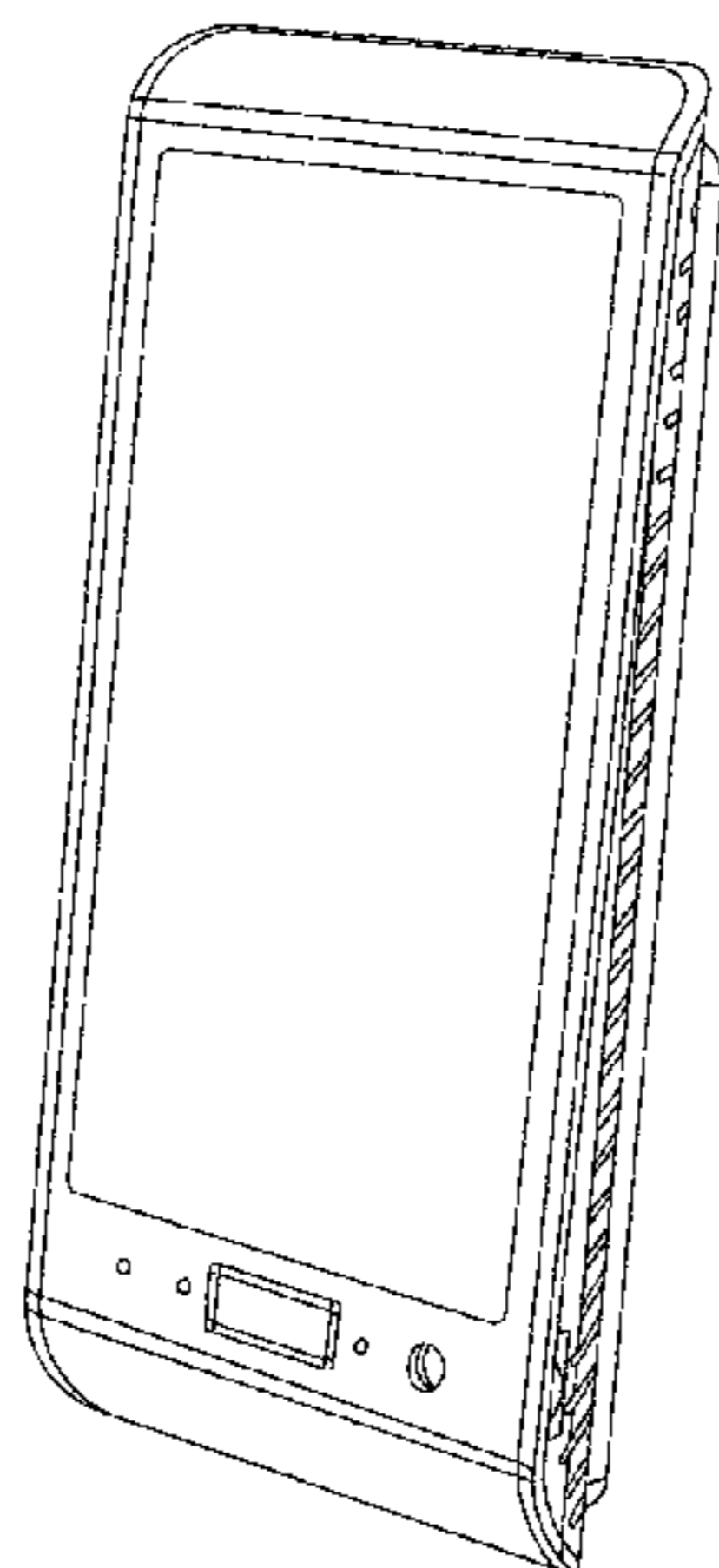
(57) **CLAIM**

We claim the ornamental design for a home automation control device, as shown and described.

DESCRIPTION

FIG. 1 is an isometric view of the design.
FIG. 2 is a front view of the design.
FIG. 3 is a back view of the design, wherein features of the home automation control device shown in broken lines are to provide perspective of the environment, and form no part of the claimed design.
FIG. 4 is a top view of the design.
FIG. 5 is a bottom view of the design.
FIG. 6 is a left side view of the design.
FIG. 7 is a right side view of the design; and,
FIG. 8 is an isometric view of the design, wherein features of the home automation control device shown in broken lines are to provide perspective of the environment, and form no part of the claimed design.

1 Claim, 8 Drawing Sheets



(56)

References Cited

U.S. PATENT DOCUMENTS

2001/0025349 A1 9/2001 Sharood et al.
2004/0008651 A1 1/2004 Ahmed
2008/0024462 A1* 1/2008 Kim G06F 1/1626
345/174
2008/0091285 A1 4/2008 Smith
2011/0037851 A1* 2/2011 Kim G06F 3/04847
348/143
2012/0092812 A1* 4/2012 Lewis A61B 5/14532
361/679.01
2013/0161489 A1* 6/2013 Gardner, Jr. G09G 3/3406
250/208.1
2014/0300567 A1* 10/2014 Inata G06F 3/0488
345/173
2014/0358285 A1 12/2014 Aggarwal et al.
2015/0062087 A1* 3/2015 Cho G02F 1/13338
345/175
2016/0324026 A1* 11/2016 Kang A45C 5/02

OTHER PUBLICATIONS

Lucis Technologies Inc., Nubryte smart home system webpage, <https://www.nubryte.com/products>, accessed May 1, 2017, 3 pages.
Smarthings Hubs (Second Generation) Review on <https://www.cnet.com/products/smarthings-hub-and-sensors/>, accessed May 1, 2017, 8 pages.
Vera Control, Ltd., VERA Smarter Home Control webpage, <http://getvera.com/#>, accessed May 1, 2017, 7 pages.

* cited by examiner

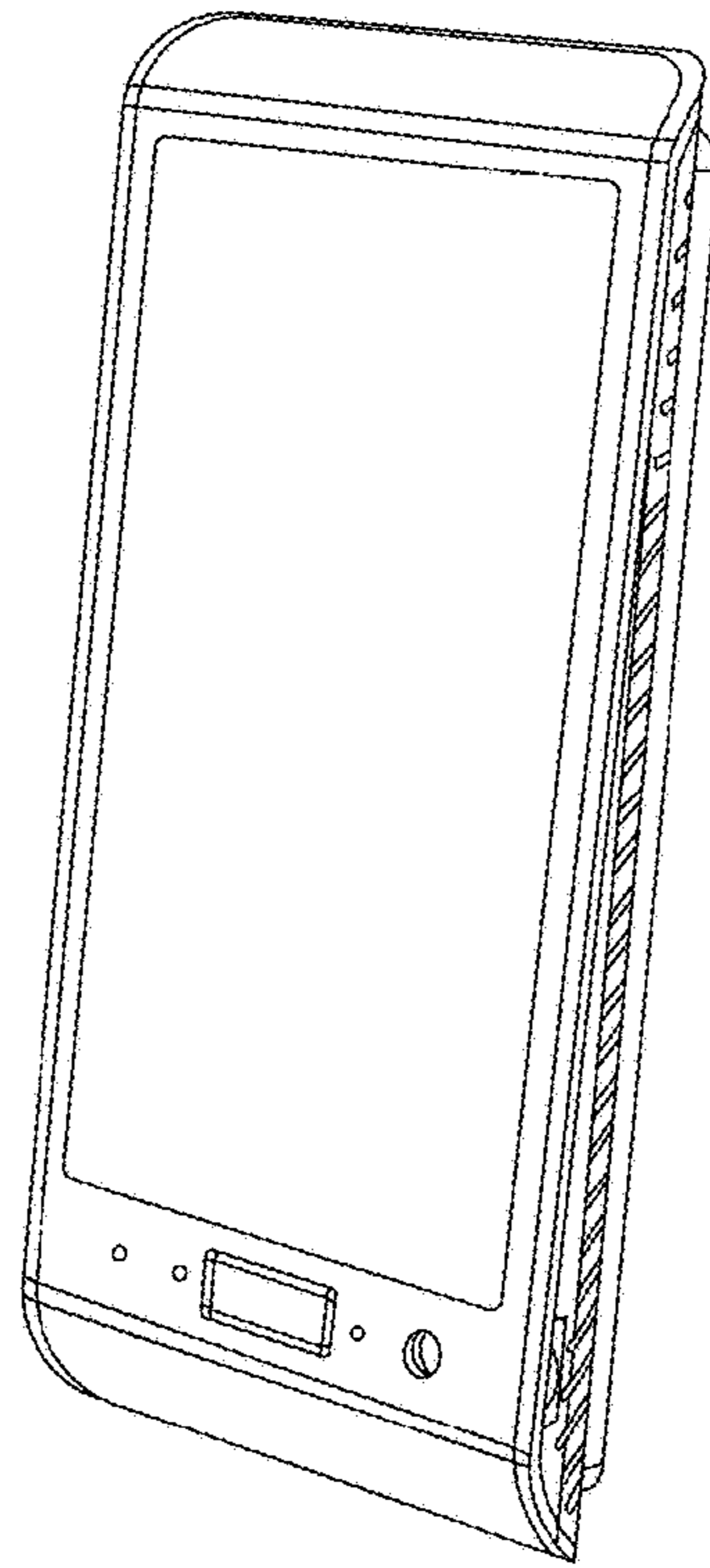


FIG. 1

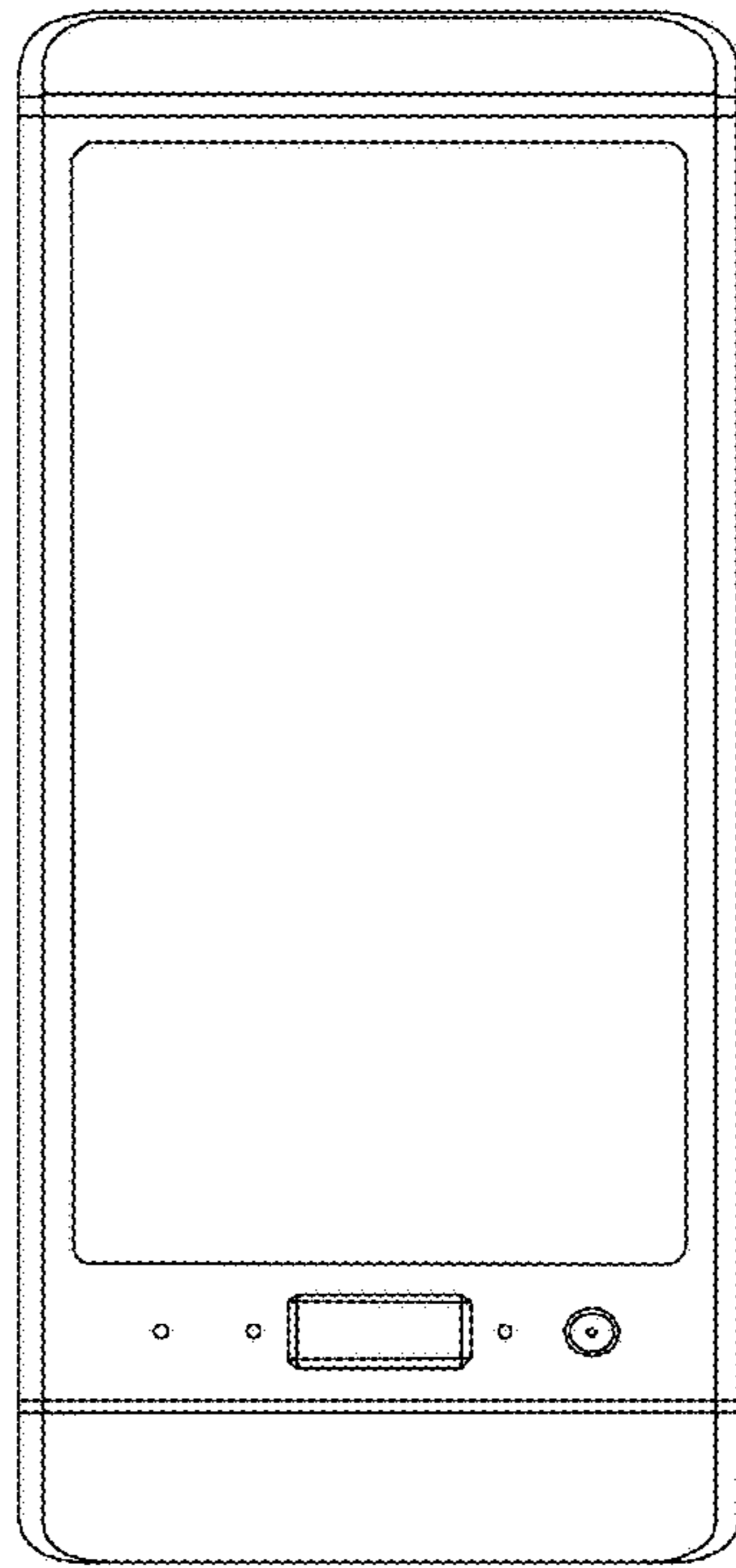


FIG. 2

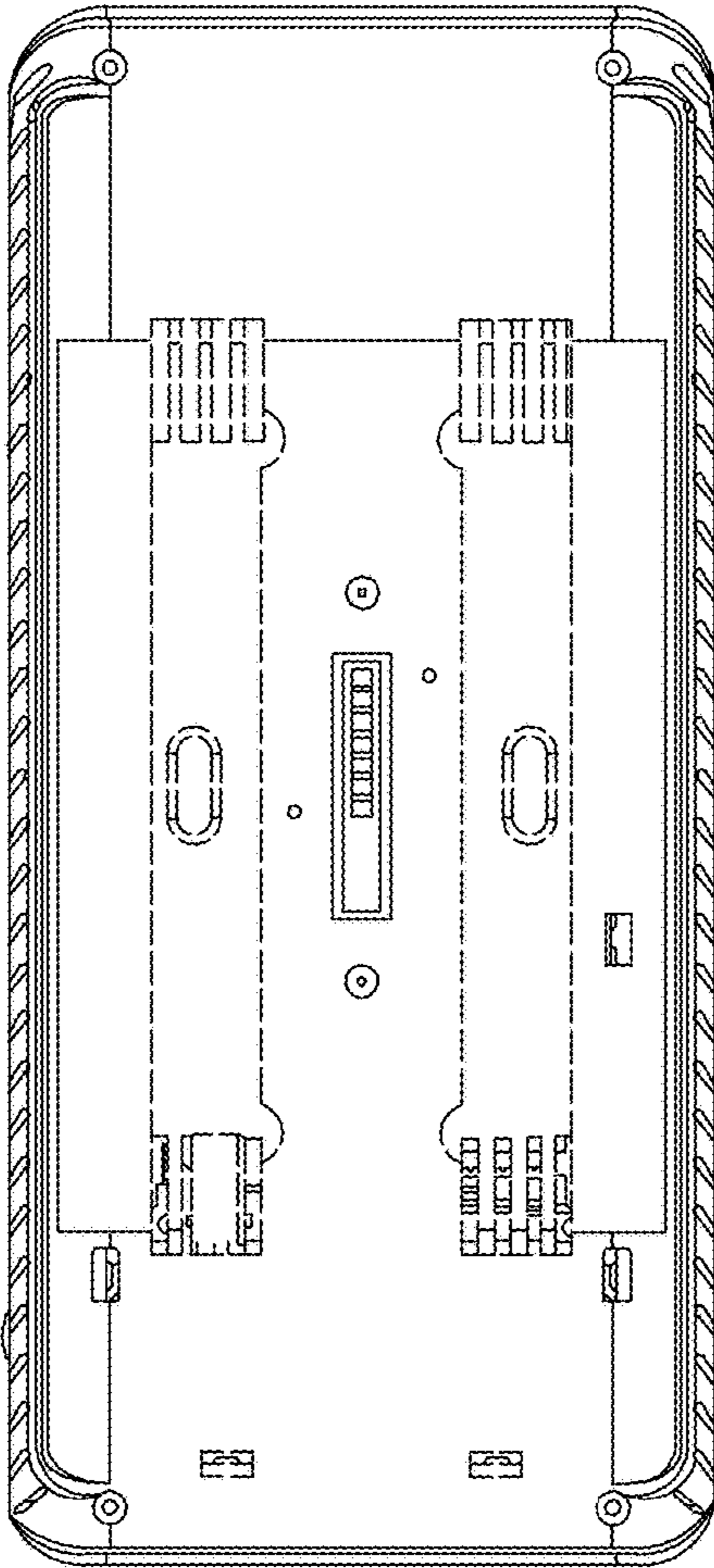


FIG. 3

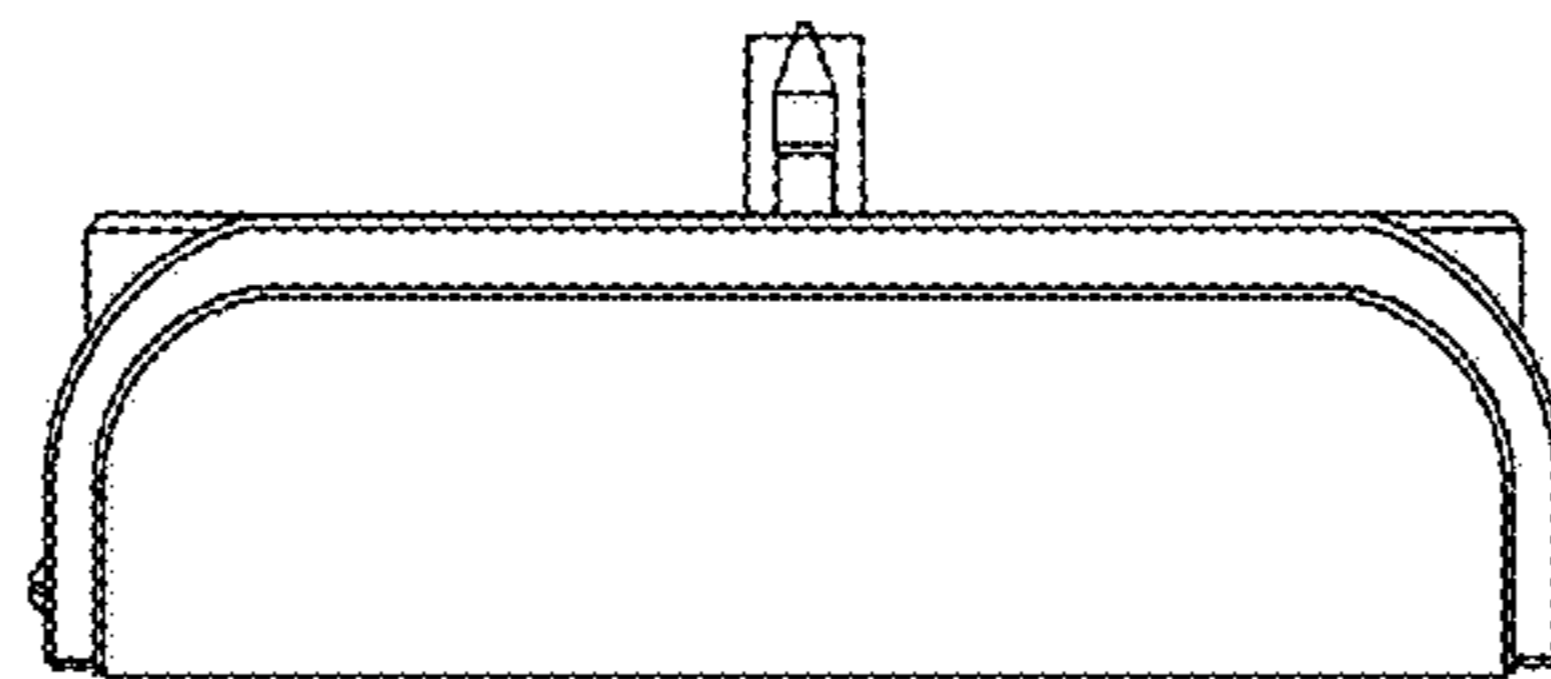


FIG. 4

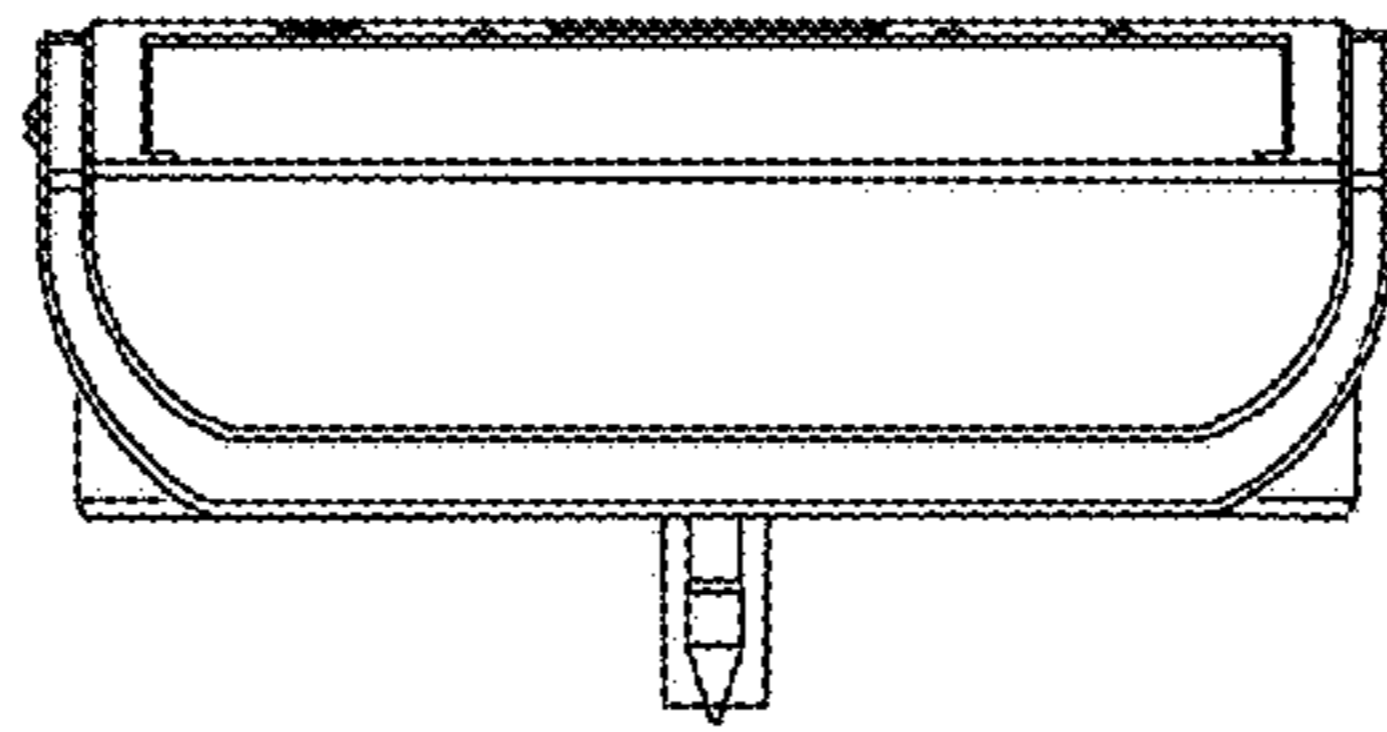


FIG. 5

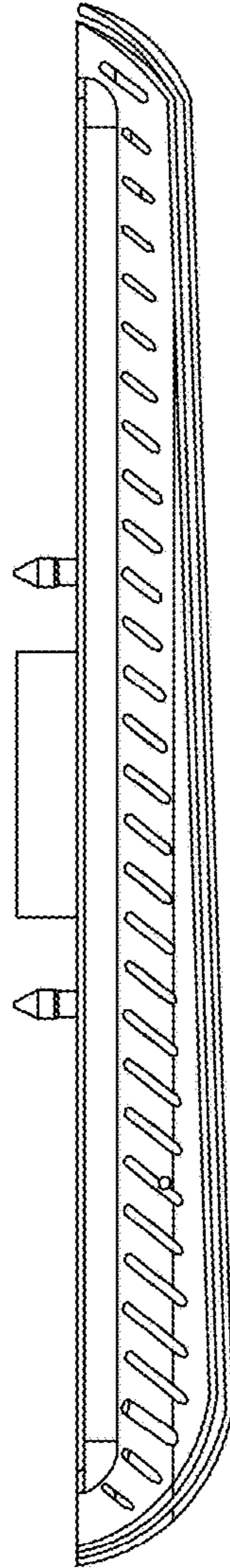


FIG. 6

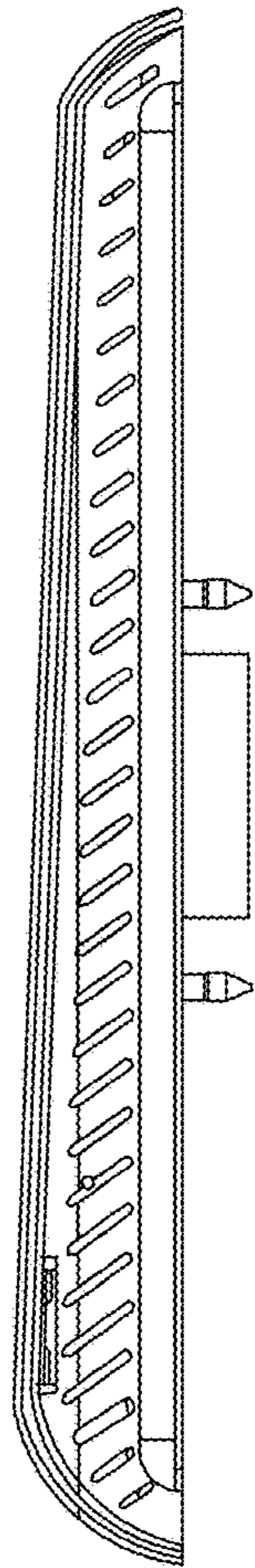


FIG. 7

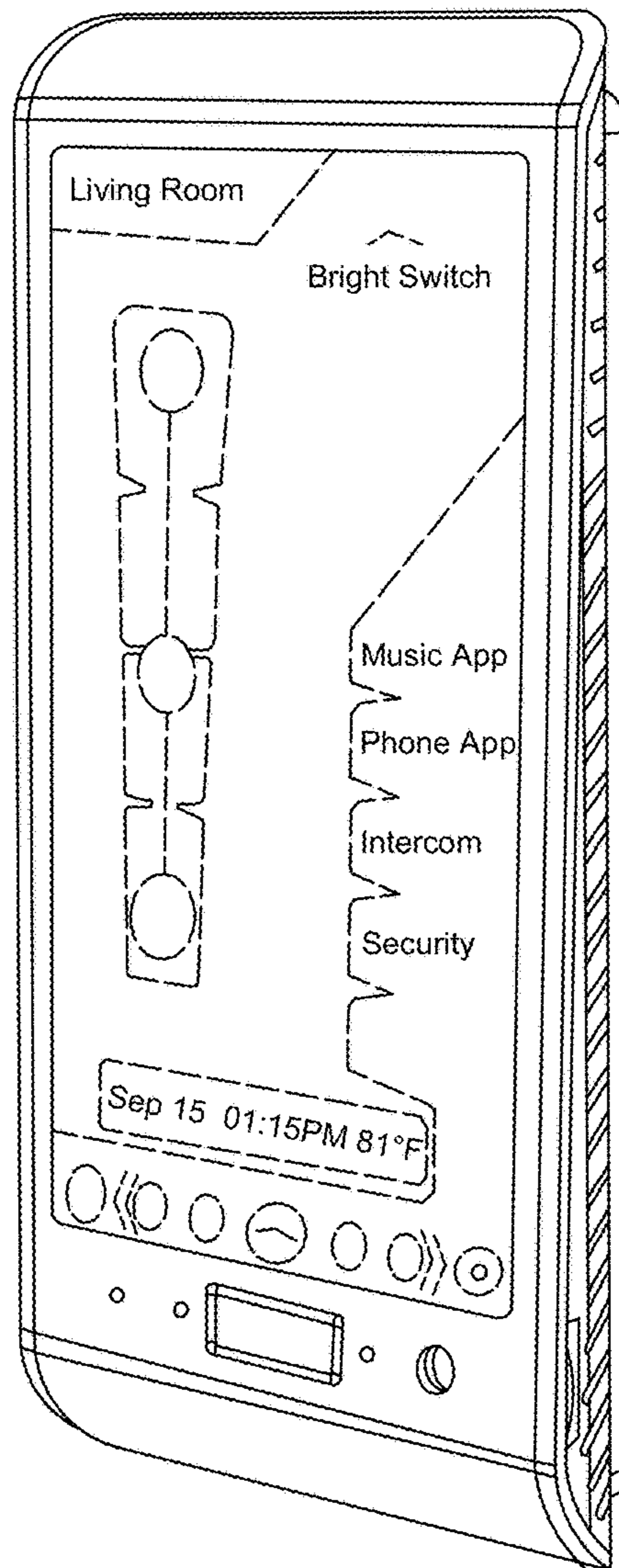


FIG. 8