



US00D833401S

(12) **United States Design Patent** (10) **Patent No.:** **US D833,401 S**  
**Wilcox et al.** (45) **Date of Patent:** **\*\* \*Nov. 13, 2018**

(54) **DISTRIBUTION POINT UNIT WITH SURFACE ORNAMENTATION**

D478,580 S 8/2003 Schmidt et al.  
D494,952 S 8/2004 Taniguchi  
D496,346 S 9/2004 Fuss et al.  
D502,173 S \* 2/2005 Jung ..... D13/158  
(Continued)

(71) Applicant: **Corning Optical Communications LLC**, Hickory, NC (US)

(72) Inventors: **Dayne Wilcox**, Menlo Park, CA (US);  
**Lea Kobeli**, San Francisco, CA (US);  
**Marie Noury**, Croix (FR); **Marcelle Van Beusekom**, San Francisco, CA (US)

FOREIGN PATENT DOCUMENTS

CN 303542272 \* 1/2016  
CN 304253724 \* 8/2017  
EM 003480235-0002 \* 12/2016

(73) Assignee: **Corning Optical Communications LLC**, Hickory, NC (US)

OTHER PUBLICATIONS

Amazon. <URL: [https://www.amazon.com/USB-AC68-Dual-Band-AC1900-Adapter-Included/dp/B01I7QFR10/ref=pd\\_sim\\_147\\_7?\\_encoding=UTF8&psc=1&refRID=82E3S6K8VD9R4SPTDJD6](https://www.amazon.com/USB-AC68-Dual-Band-AC1900-Adapter-Included/dp/B01I7QFR10/ref=pd_sim_147_7?_encoding=UTF8&psc=1&refRID=82E3S6K8VD9R4SPTDJD6)> Oct. 30, 2015. ASUS RT-AC88U Wireless-AC3100 Router.\*  
(Continued)

(\* ) Notice: This patent is subject to a terminal disclaimer.

(\*\*) Term: **15 Years**

*Primary Examiner* — Thomas Johannes  
*Assistant Examiner* — Lauren McVey  
(74) *Attorney, Agent, or Firm* — Adam R. Weeks

(21) Appl. No.: **29/555,393**

(22) Filed: **Feb. 22, 2016**

(51) **LOC (11) Cl.** ..... **13-03**

(52) **U.S. Cl.**  
USPC ..... **D13/152**

(58) **Field of Classification Search**  
USPC ..... D14/242, 240, 355, 357, 358, 125,  
D14/140-140.9, 155, 137, 139, 243, 239,  
D14/433, 314, 496, 188, 348, 351, 356;  
D13/152

CPC ..... H04L 12/00; H03K 17/00; H04W 88/00;  
H04W 88/005; H04W 88/02; H04W 88/08;  
H04W 88/085; H04W 88/10; H04W 88/12;  
H04W 88/14; H04B 1/38  
See application file for complete search history.

**CLAIM**

(57) The ornamental design for a distribution point unit with surface ornamentation, as shown and described.

**DESCRIPTION**

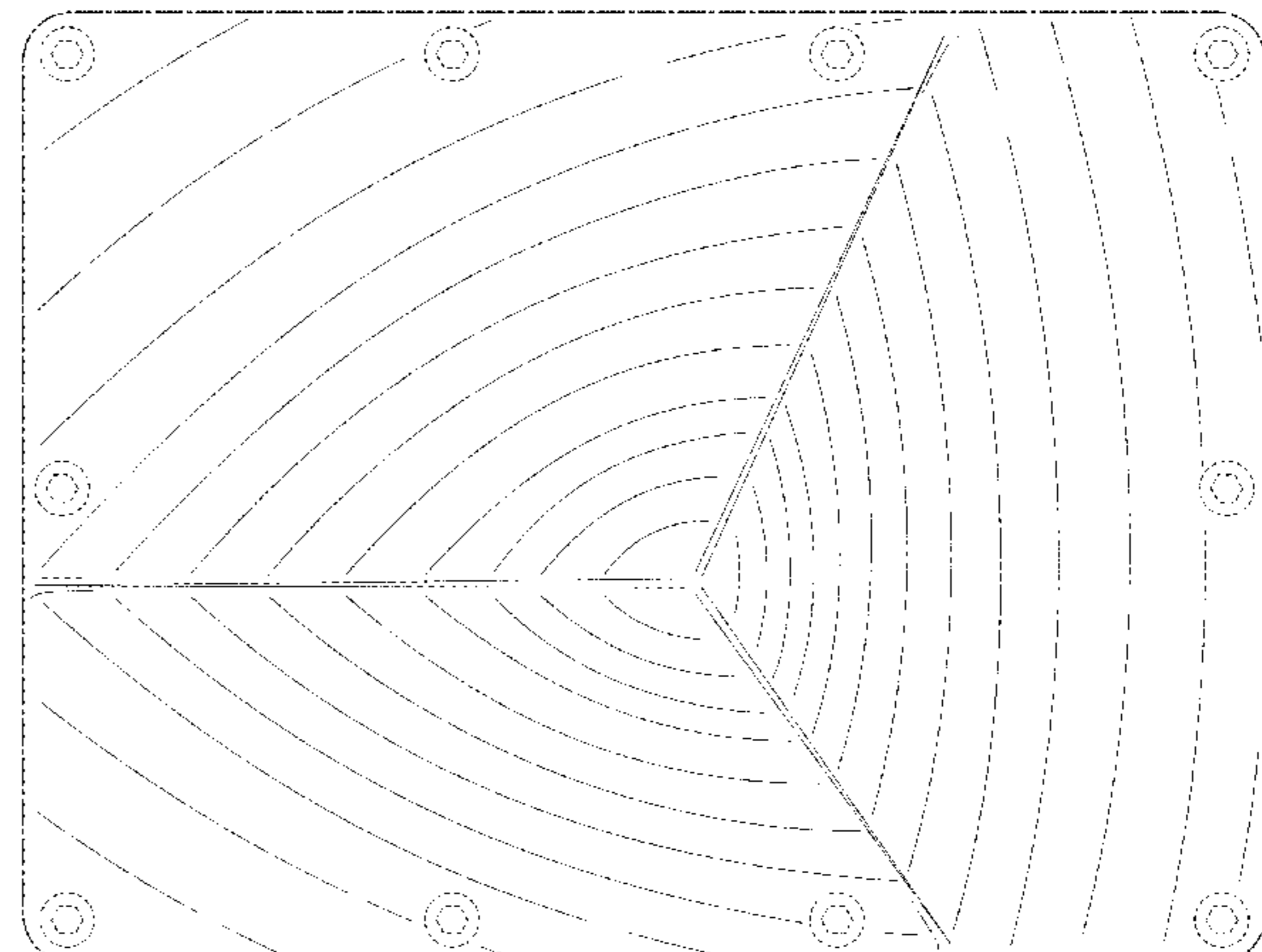
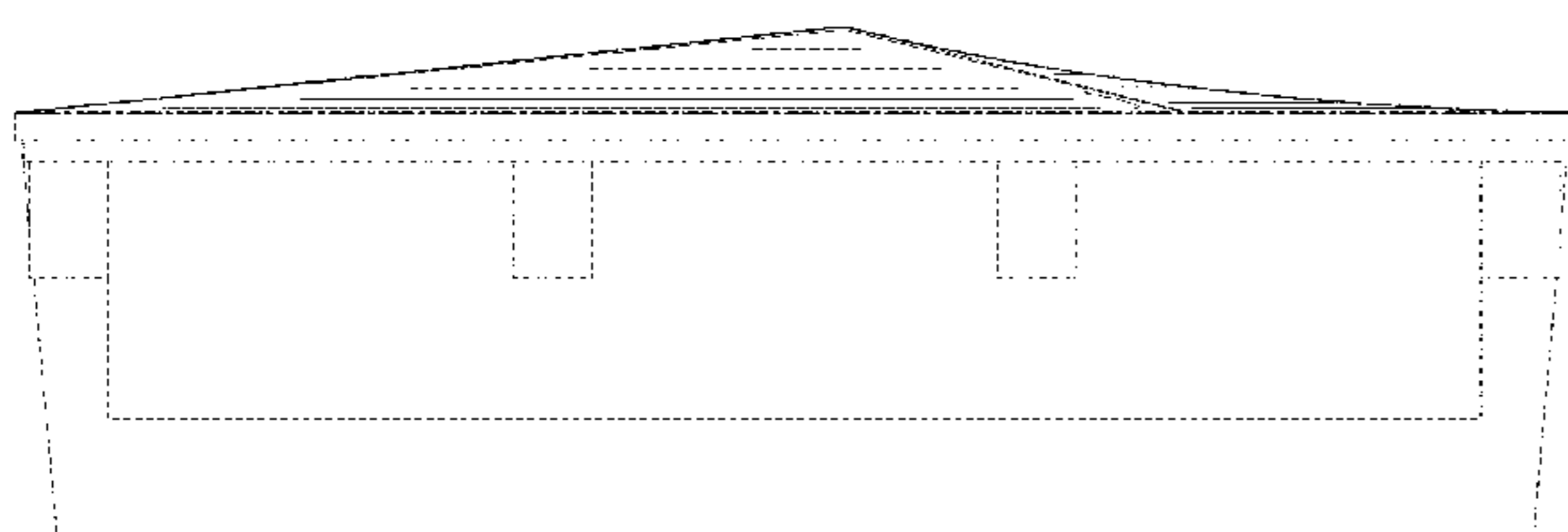
FIG. 1 is a front perspective view of a distribution point unit with surface ornamentation showing our new design; FIG. 2 is a bottom view thereof; FIG. 3 is a top view thereof; FIG. 4 is a left view thereof; FIG. 5 is a right view thereof; FIG. 6 is a front view thereof; and, FIG. 7 is a rear view thereof. The dot-dash broken lines immediately adjacent to the claim represent the bounds of the claim, while all other broken lines are directed to environment. The broken lines form no part of the claimed design.

(56) **References Cited**

U.S. PATENT DOCUMENTS

D449,824 S 10/2001 Higa et al.  
D454,837 S 3/2002 Ibuki et al.  
D471,543 S 3/2003 Yang et al.  
D476,764 S 7/2003 Khovaylo et al.

**1 Claim, 7 Drawing Sheets**



(56)

References Cited

U.S. PATENT DOCUMENTS

D512,697 S 12/2005 Enns et al.  
 D514,562 S 2/2006 Lu et al.  
 D549,663 S 8/2007 Tsou et al.  
 D556,145 S 11/2007 Williams et al.  
 D559,233 S 1/2008 Tang  
 D578,483 S 10/2008 Lannoch  
 D578,484 S 10/2008 Lannoch  
 D583,795 S 12/2008 Keenum et al.  
 D591,688 S 5/2009 Nishiyama et al.  
 D591,690 S 5/2009 Vogel et al.  
 D596,175 S 7/2009 Viertola et al.  
 D606,034 S \* 12/2009 Suzuki ..... D14/125  
 D616,815 S 6/2010 Jadraque Aznarez et al.  
 D629,785 S \* 12/2010 Yachida ..... D14/155  
 D637,162 S 5/2011 Bridgman  
 D645,823 S 9/2011 Dillon  
 D651,993 S \* 1/2012 Cheng ..... D14/125  
 D661,680 S \* 6/2012 Wei ..... D14/155  
 D671,100 S \* 11/2012 Huang ..... D14/242  
 D686,206 S 7/2013 Wu et al.  
 D688,657 S 8/2013 Hallar et al.  
 D697,901 S \* 1/2014 Gao ..... D14/240

D698,349 S 1/2014 Sun et al.  
 D703,556 S 4/2014 Emge et al.  
 D714,734 S 10/2014 Bertolotti  
 D714,735 S 10/2014 Bertolotti  
 D732,041 S 6/2015 Conn et al.  
 D733,707 S \* 7/2015 Chen ..... D14/240  
 D739,385 S 9/2015 James et al.  
 D781,811 S \* 3/2017 Chanay ..... D14/155  
 D782,430 S \* 3/2017 Tam ..... D14/125  
 D785,579 S \* 5/2017 McMiller ..... D14/125  
 D791,774 S \* 7/2017 Wilcox ..... D14/444  
 D795,079 S \* 8/2017 Wilcox ..... D9/703  
 D808,915 S \* 1/2018 Wang ..... D14/125  
 D812,571 S \* 3/2018 Jackson ..... D13/152  
 2015/0033953 A1 2/2015 Fung et al.

OTHER PUBLICATIONS

Corning, OptiSheath Riser Distribution Terminal, MTP Enabled, Specification Sheet, 2012, 1-4, Corning Cable Systems LLC.  
 Corning, OptiSheath MDU Terminal, Family Spec Sheet, 2015, 1-5, Corning Optical Communications LLC.

\* cited by examiner

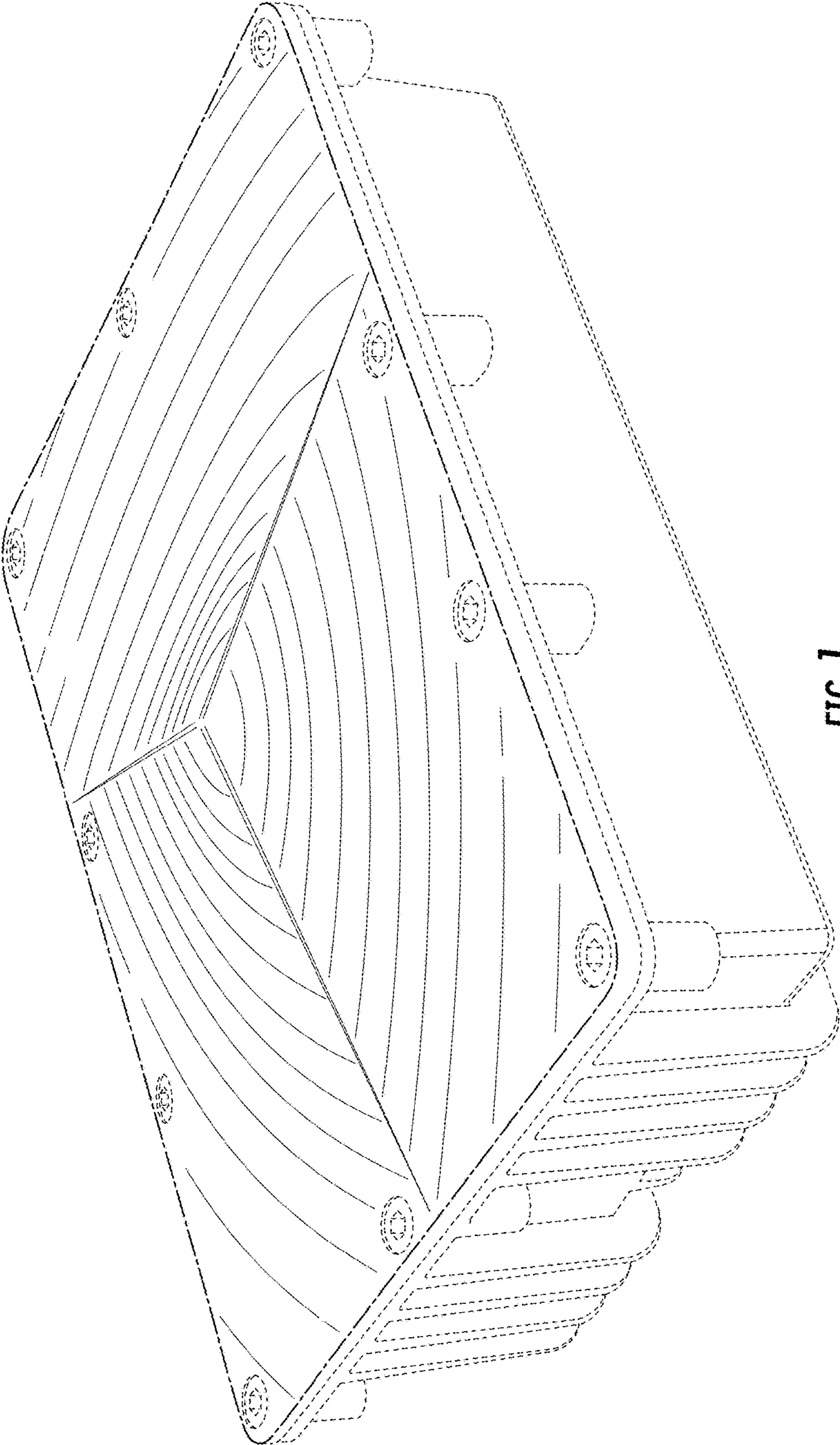


FIG. 1

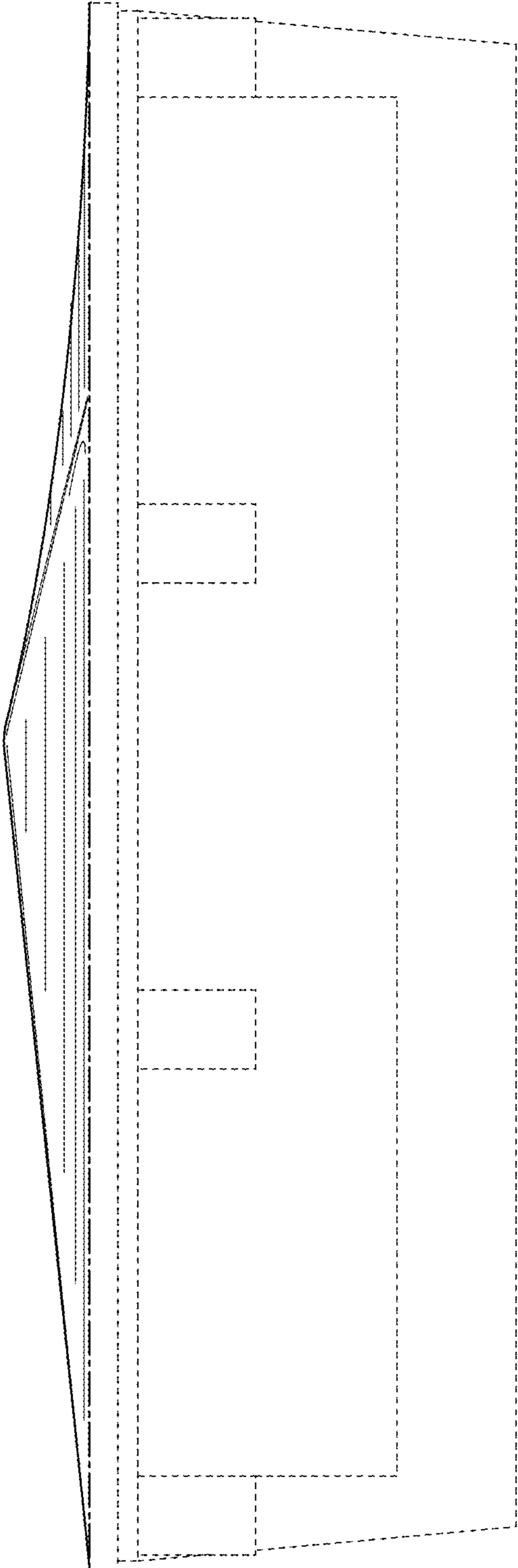


FIG. 2

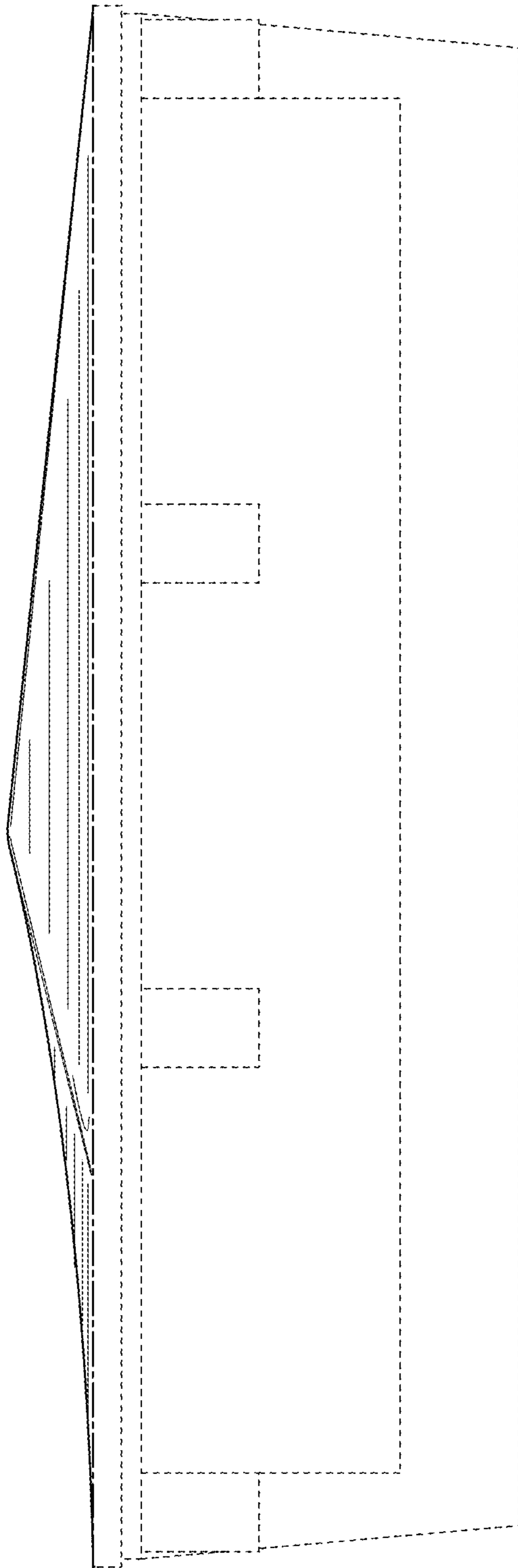


FIG. 3

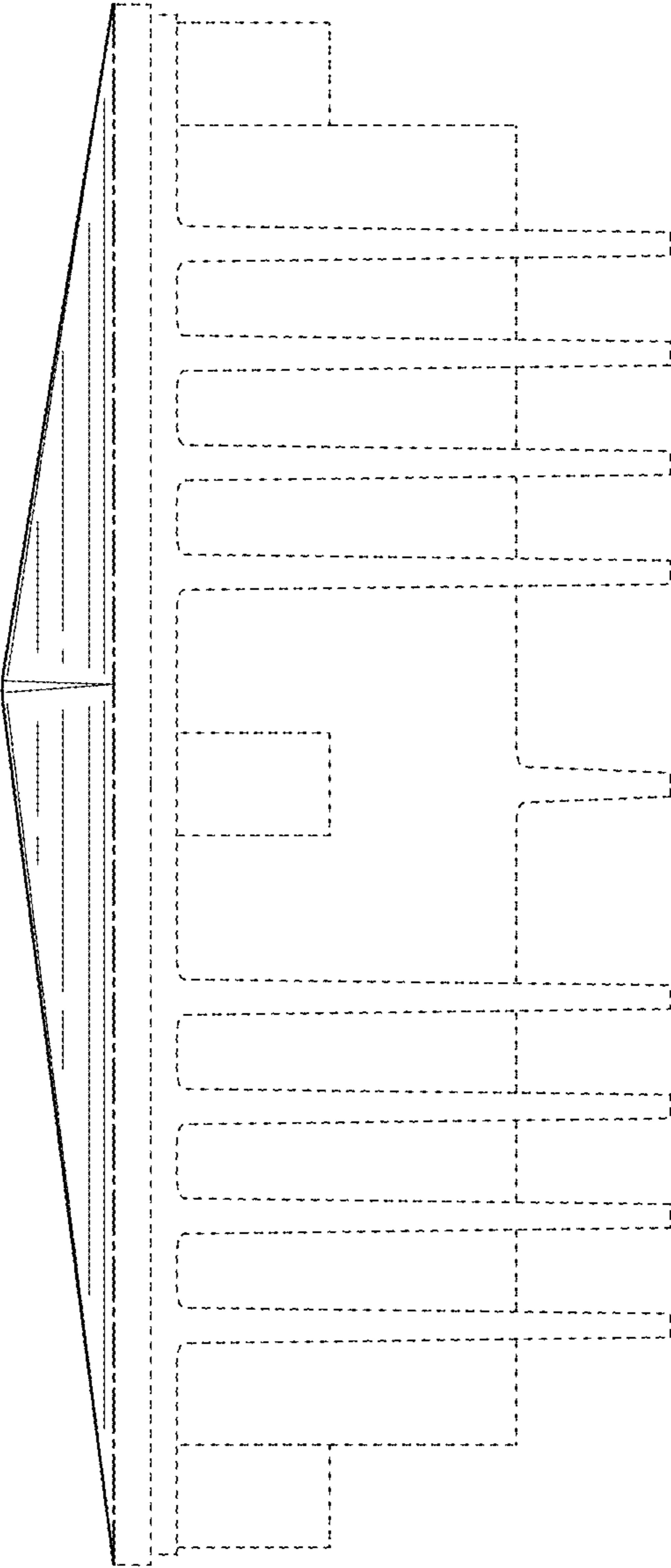


FIG. 4

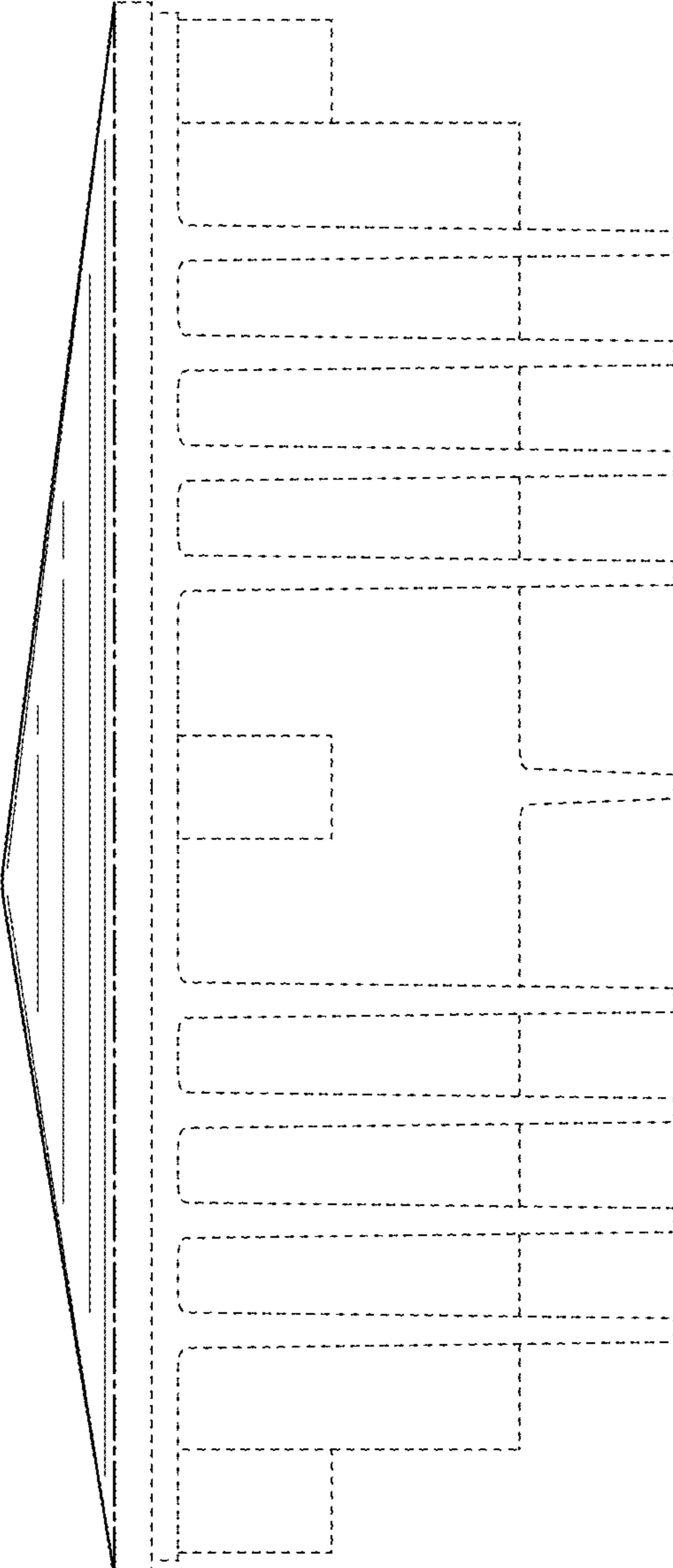


FIG. 5

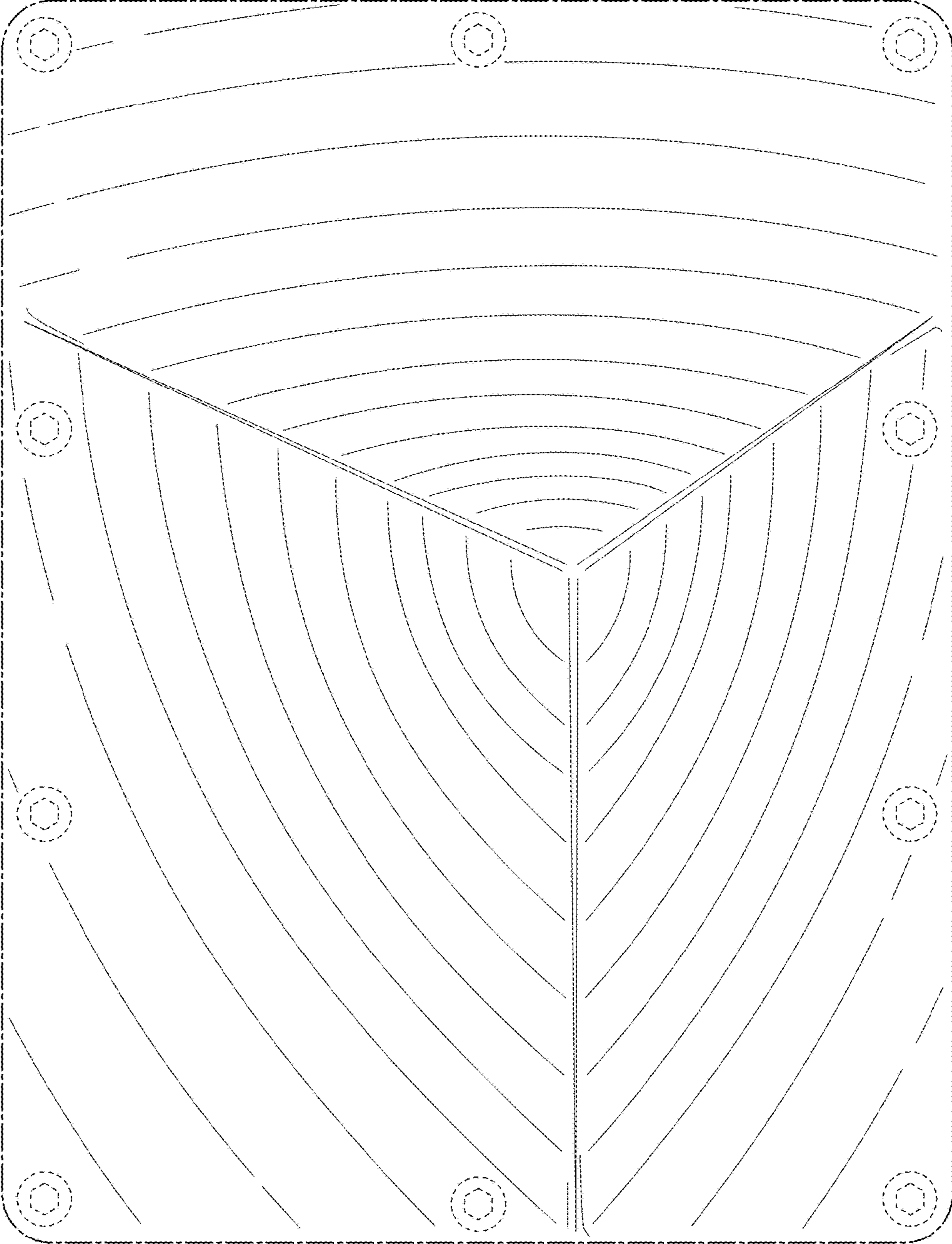


FIG. 6



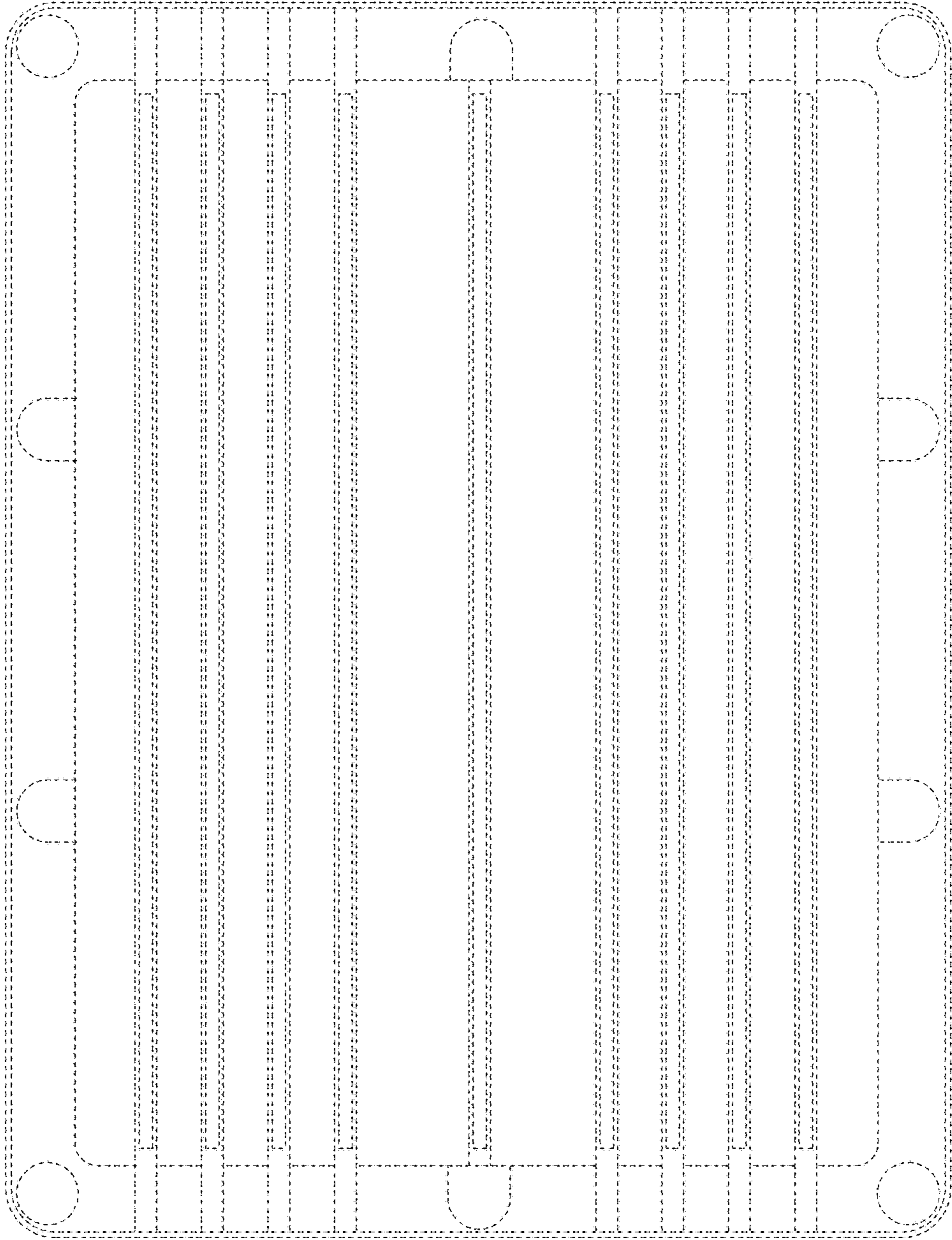


FIG. 7