

US00D833398S

(12) **United States Design Patent** (10) **Patent No.:** **US D833,398 S**
Levy et al. (45) **Date of Patent:** **** Nov. 13, 2018**

(54) **CABLING HUB**

(71) Applicant: **Tectonica Australia Pty Ltd**, West Melbourne (AU)

(72) Inventors: **David Levy**, West Melbourne (AU); **Miles Partridge**, West Melbourne (AU); **Rachad Hussein**, West Melbourne (AU); **Joshua White**, West Melbourne (AU); **Thomas Partridge**, West Melbourne (AU); **Chong Ooi**, West Melbourne (AU); **Ningqi Zhao**, West Melbourne (AU)

(73) Assignee: **Tectonica Australia Pty Ltd**, West Melbourne, Victoria (AU)

(**) Term: **15 Years**

(21) Appl. No.: **29/612,273**

(22) Filed: **Jul. 31, 2017**

(51) **LOC (11) Cl.** **13-03**

(52) **U.S. Cl.**
USPC **D13/146**

(58) **Field of Classification Search**
 USPC D13/133, 146, 147, 154, 184, 199;
 439/445, 446, 447, 578, 580, 581, 582
 CPC H01R 12/24; H01R 12/26; H01R 13/72;
 H01R 41/0813; H01R 41/0866; H01R
 43/50

See application file for complete search history.

(56) **References Cited**

U.S. PATENT DOCUMENTS

D532,378 S *	11/2006	Kesler	D13/147
8,123,552 B2 *	2/2012	Hsu	G11B 33/025 439/501
D666,971 S *	9/2012	Sekine	D13/133
D795,875 S *	8/2017	Kim	D14/433
2006/0172591 A1 *	8/2006	Huang	H01R 13/72 439/501

* cited by examiner

Primary Examiner — Daniel Bui

(74) *Attorney, Agent, or Firm* — Morgan, Lewis & Bockius LLP

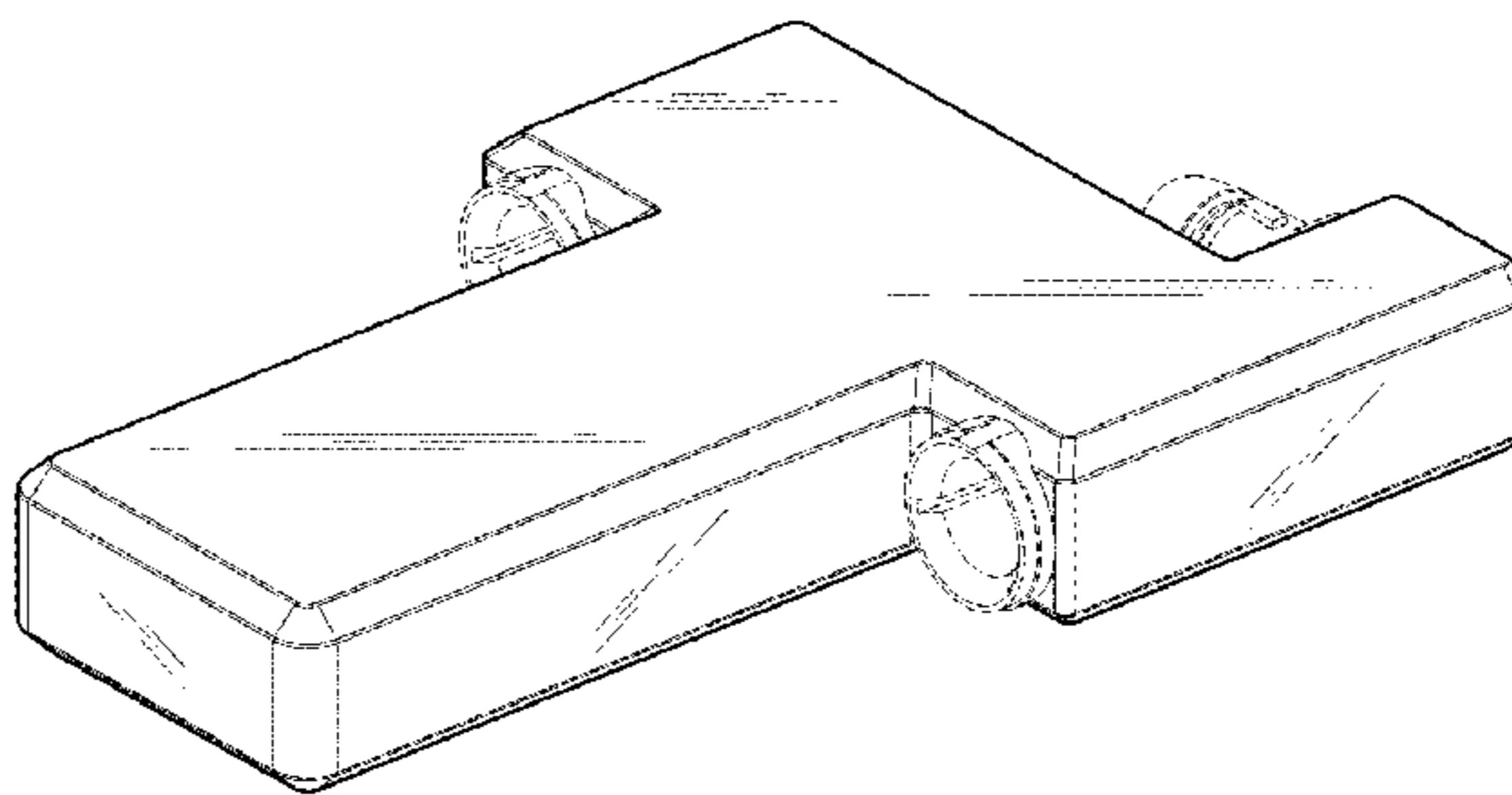
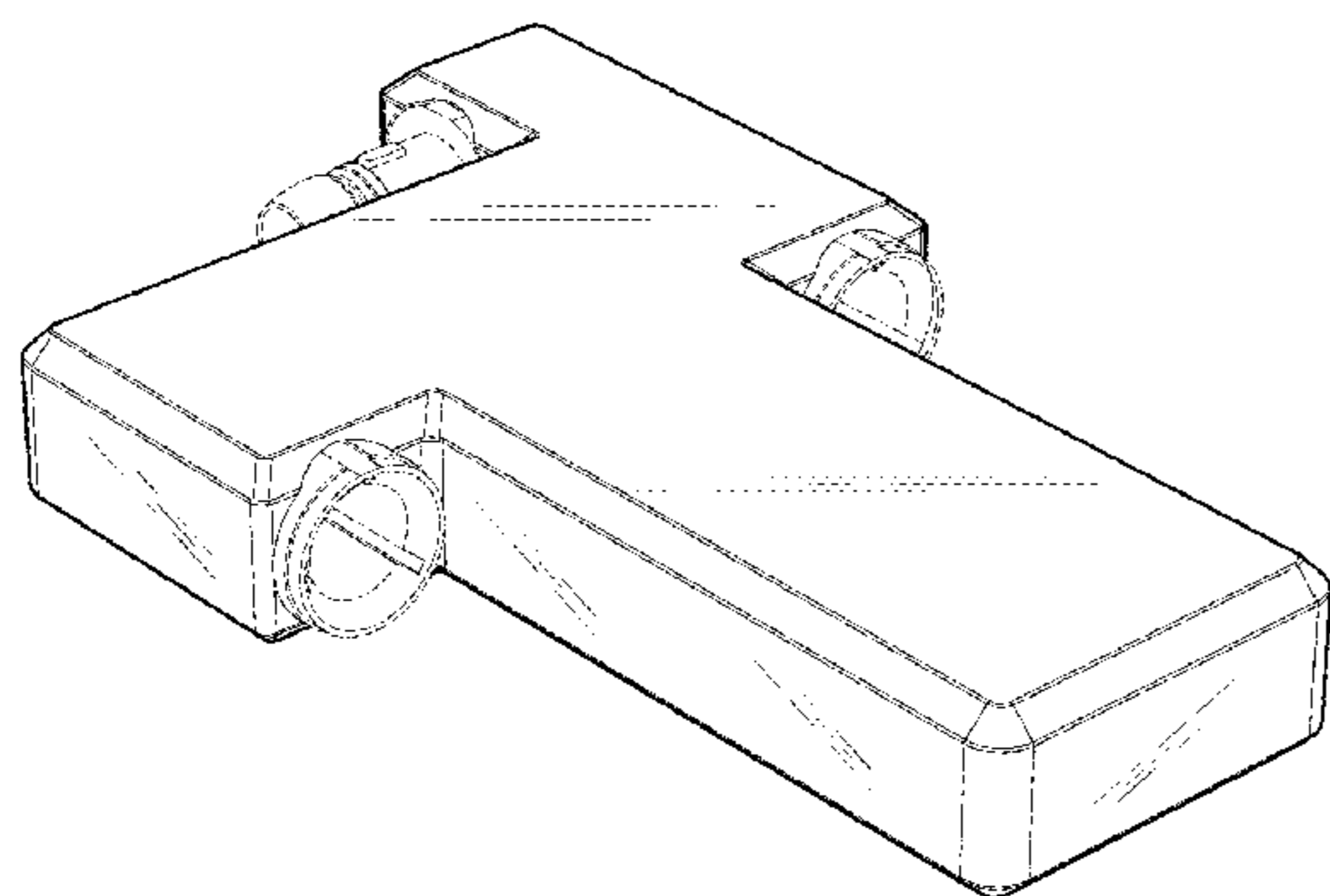
(57) **CLAIM**

The ornamental design for a cabling hub, as shown and described.

DESCRIPTION

FIG. 1 is a top left perspective view of a cabling hub showing our new design;
 FIG. 2 is a top right perspective view thereof;
 FIG. 3 is a top view thereof;
 FIG. 4 is a bottom view thereof;
 FIG. 5 is a left view thereof;
 FIG. 6 is a right view thereof;
 FIG. 7 is a rear view thereof; and,
 FIG. 8 is a front view thereof.
 The broken in the figure drawing views is included for the purpose of illustrating unclaimed environment only and forms no part of the claimed design.

1 Claim, 6 Drawing Sheets



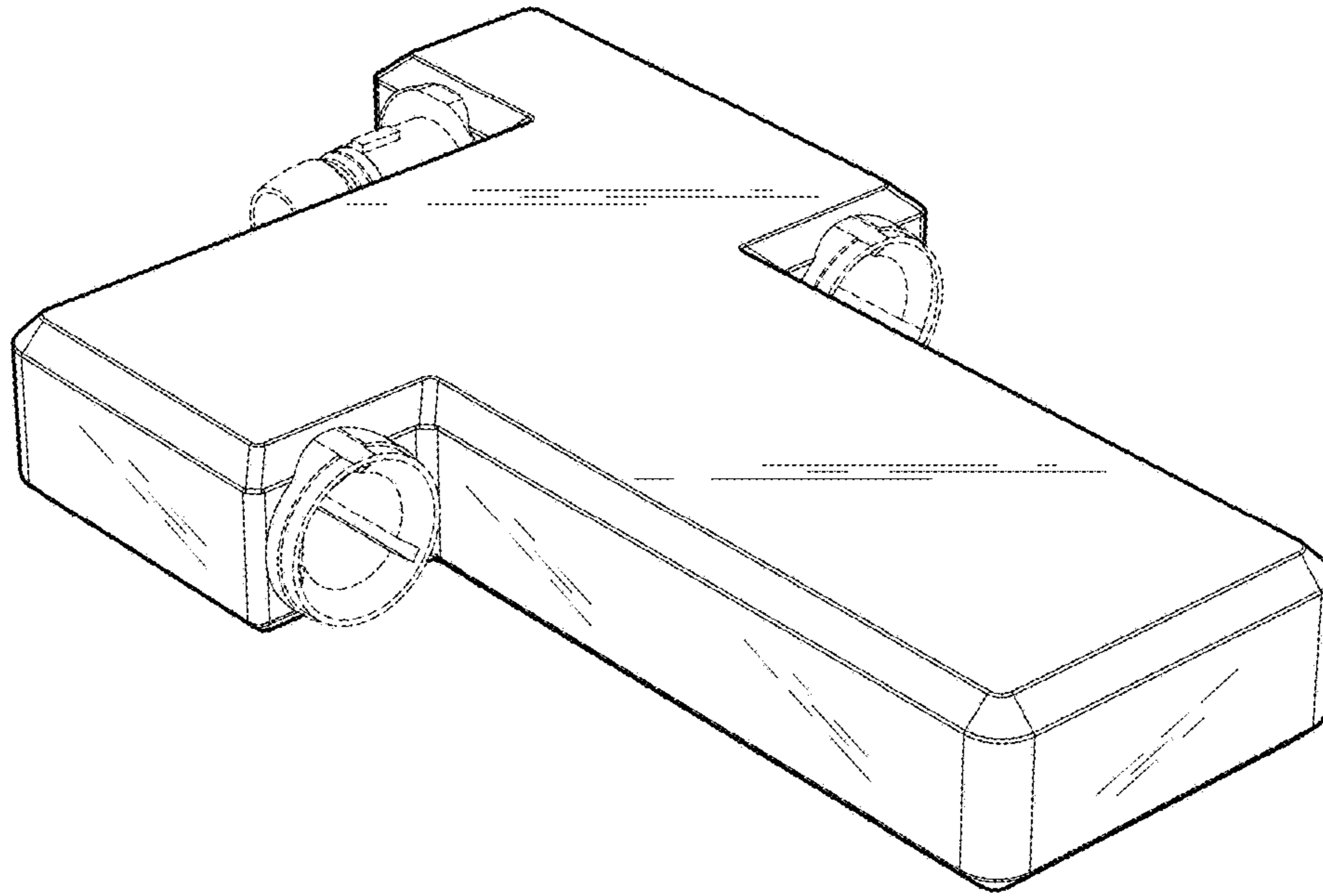


Figure 1

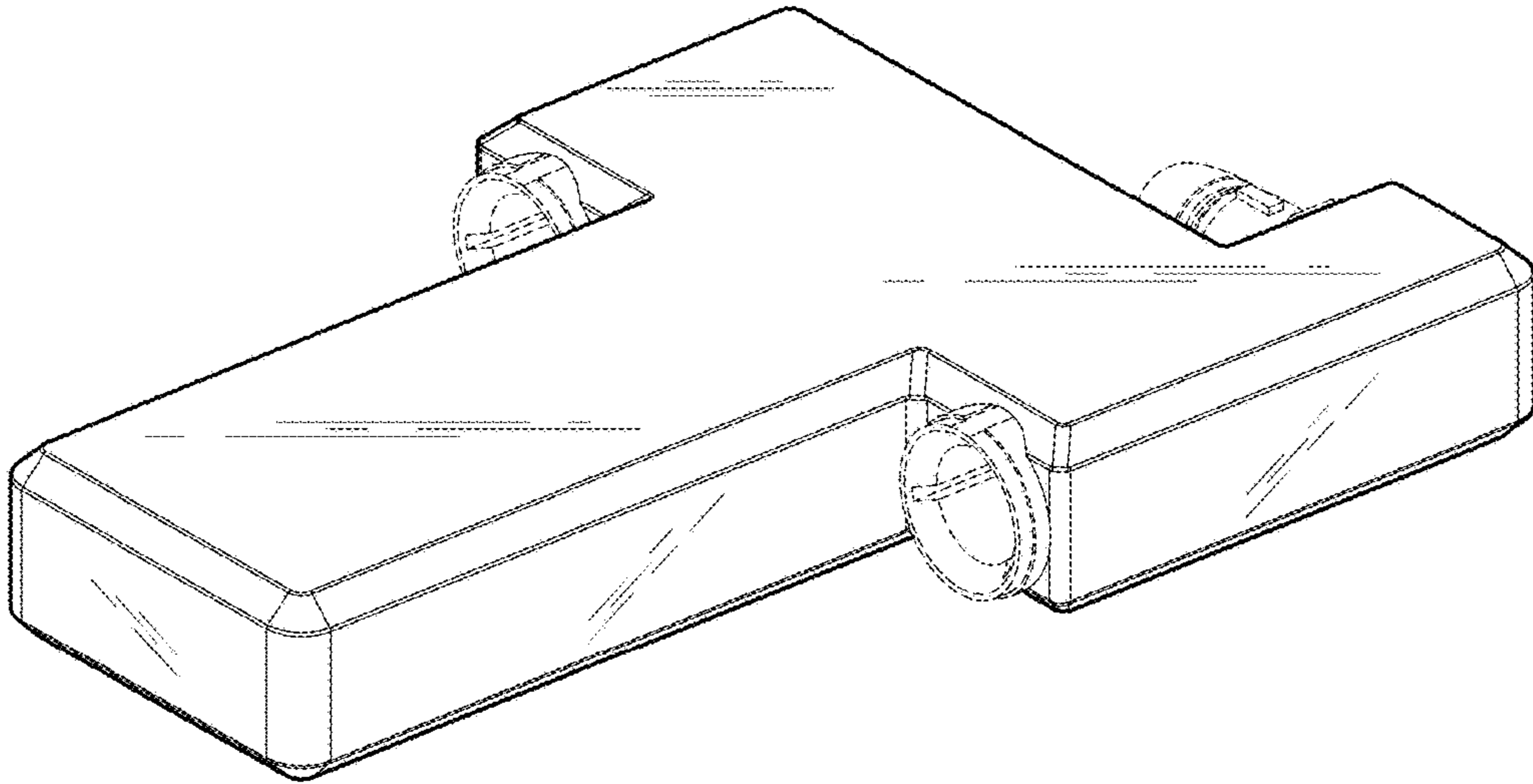


Figure 2

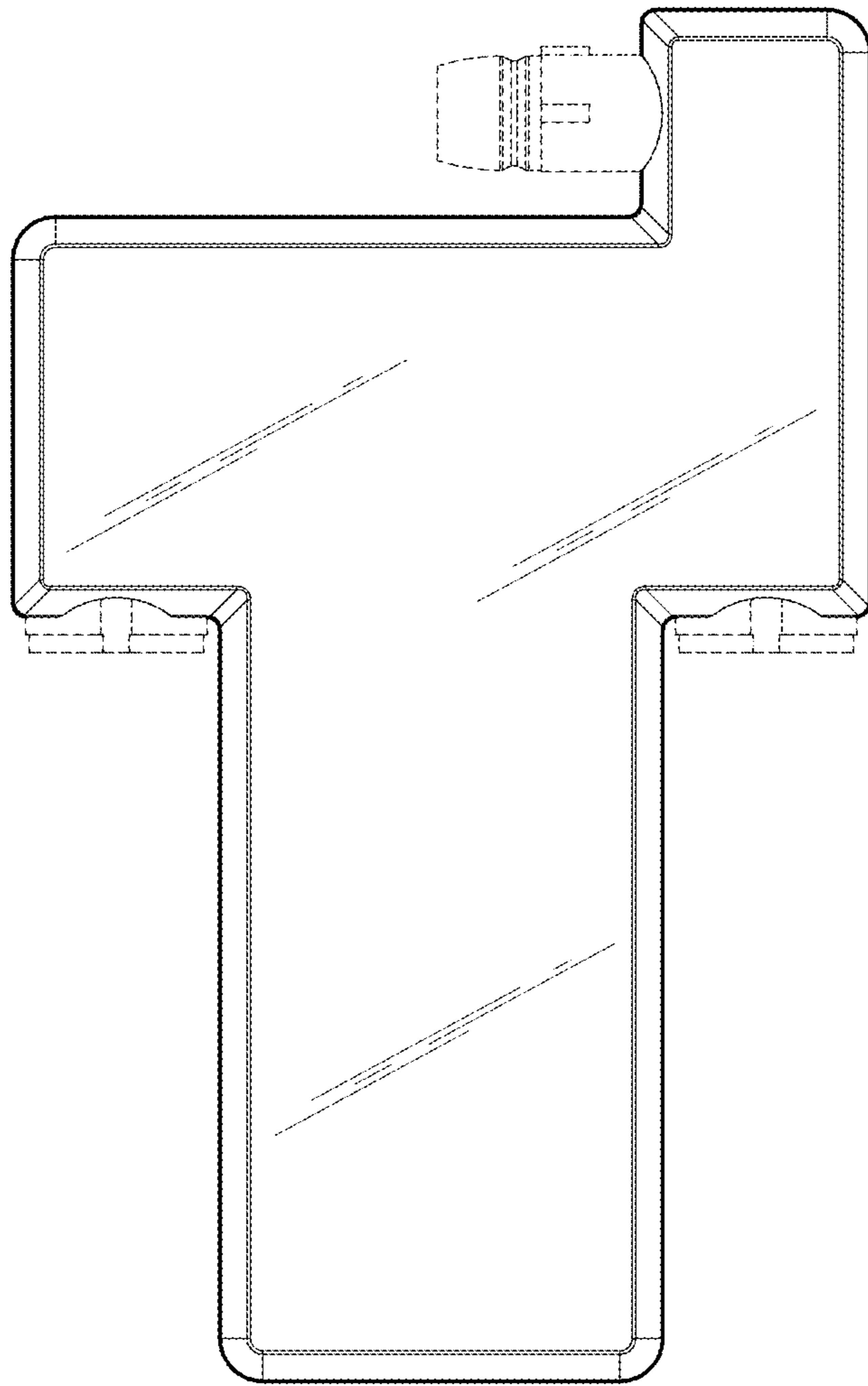


Figure 3

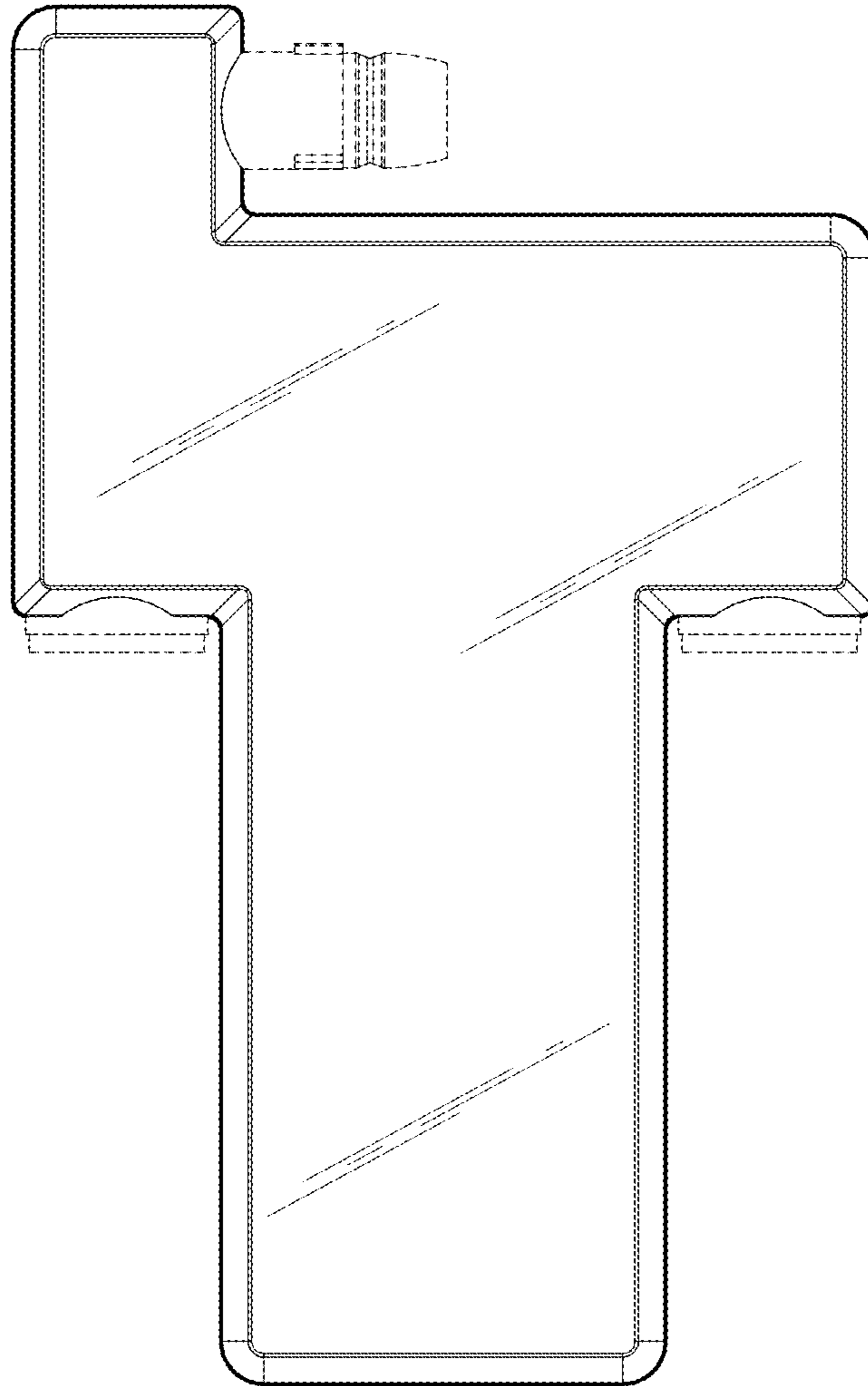


Figure 4

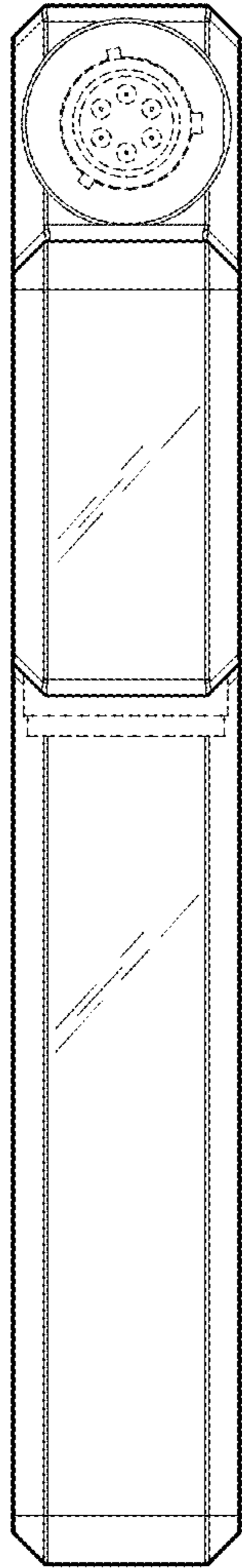


Figure 5

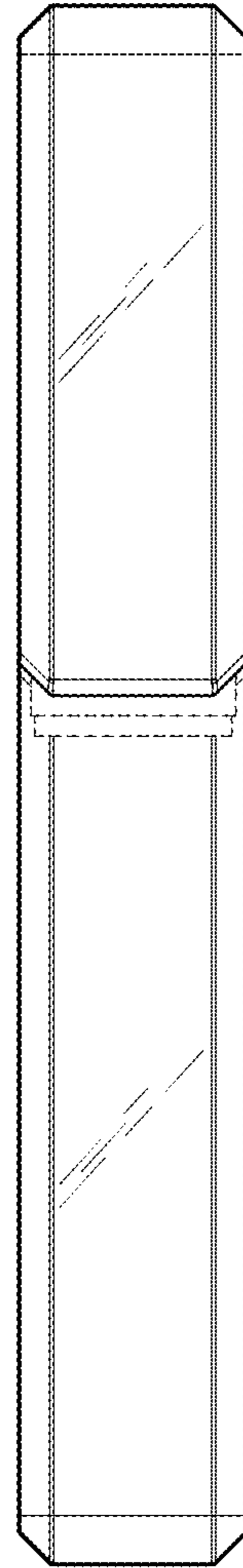


Figure 6

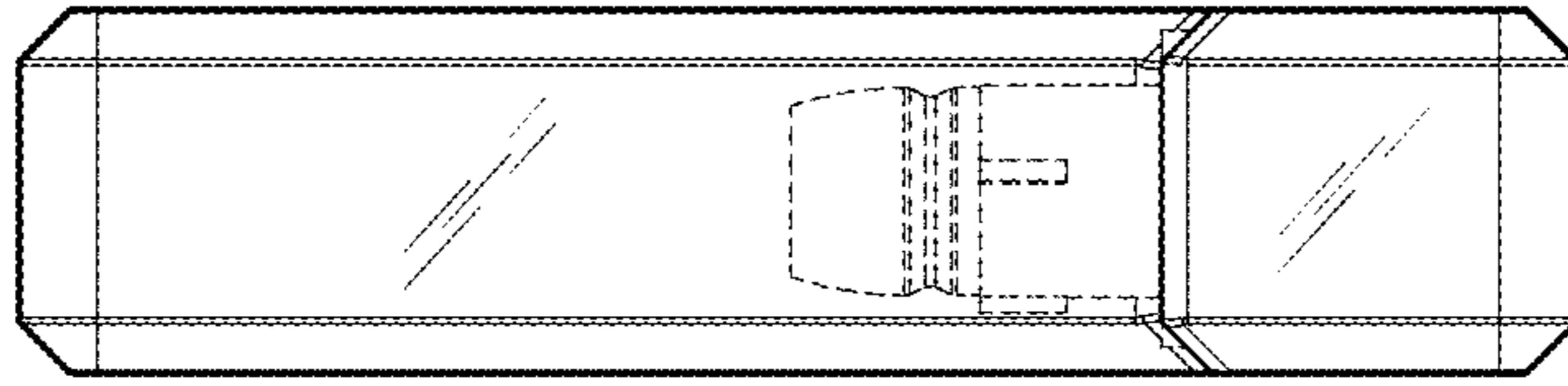


Figure 7

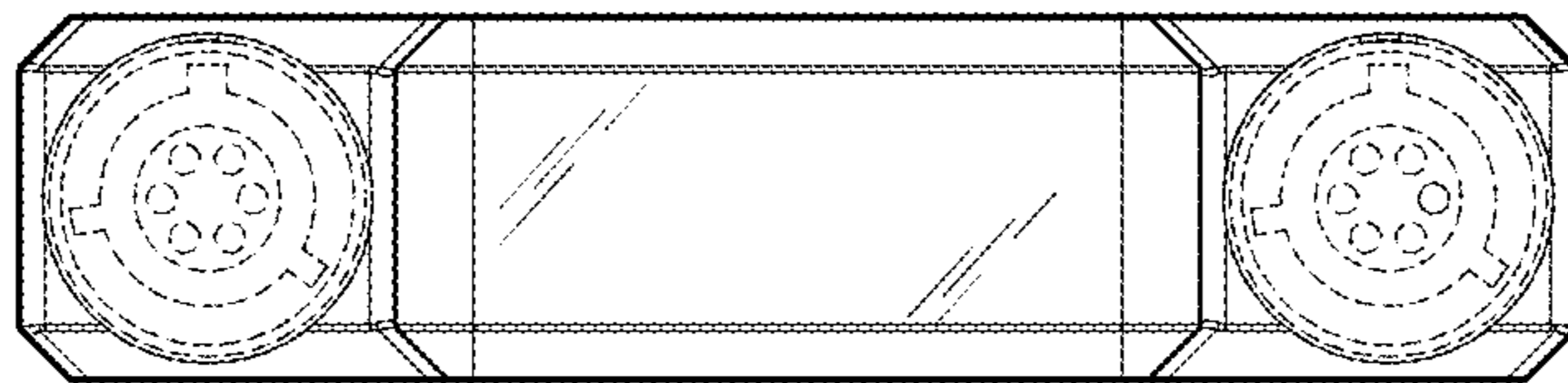


Figure 8