



US00D833397S

(12) **United States Design Patent** (10) **Patent No.:** **US D833,397 S**
Deng (45) **Date of Patent:** **** Nov. 13, 2018**

(54) **CAR CHARGER**
(71) Applicant: **Erlong Deng**, Yongzhou (CN)
(72) Inventor: **Erlong Deng**, Yongzhou (CN)
(73) Assignee: **Erlong Deng**, Yongzhou (CN)
(**) Term: **15 Years**
(21) Appl. No.: **29/573,064**
(22) Filed: **Aug. 2, 2016**
(51) **LOC (11) Cl.** **13-03**
(52) **U.S. Cl.**
USPC **D13/144**
(58) **Field of Classification Search**
USPC D13/144, 107, 110, 118, 119, 120, 133,
D13/154, 184, 199; D14/155, 217, 433;
320/65, 107, 108, 109; 363/13, 146;
439/300, 620, 638, 668, 669, 675, 825;
D22/115, 116
CPC H01R 24/58; H01R 2201/26; H01R 31/02
See application file for complete search history.

D646,179 S * 10/2011 Jansen D22/116
D671,497 S * 11/2012 Smith D13/144
D720,296 S * 12/2014 Charnis D13/144
D727,850 S * 4/2015 Easterly, III D13/144
D791,265 S * 7/2017 Burczynski D22/115
D799,954 S * 10/2017 Baiz D8/397
D808,293 S * 1/2018 Lenzmeier D11/81
D813,975 S * 3/2018 White D22/116
D814,695 S * 4/2018 Petteys D27/195
D814,907 S * 4/2018 Baiz D8/356

OTHER PUBLICATIONS

Amazon.com. "Conlin Fast Car Charger." Date accessed: Jun. 12, 2018. Date available: Mar. 2, 2017. <https://www.amazon.com/Conlin-Charger-charger-high-efficiency-stainless/dp/B01N4NQGGG>.*

* cited by examiner

Primary Examiner — Derrick Holland
Assistant Examiner — Jennifer O King
(74) *Attorney, Agent, or Firm* — Hauptman Ham, LLP

(57) **CLAIM**

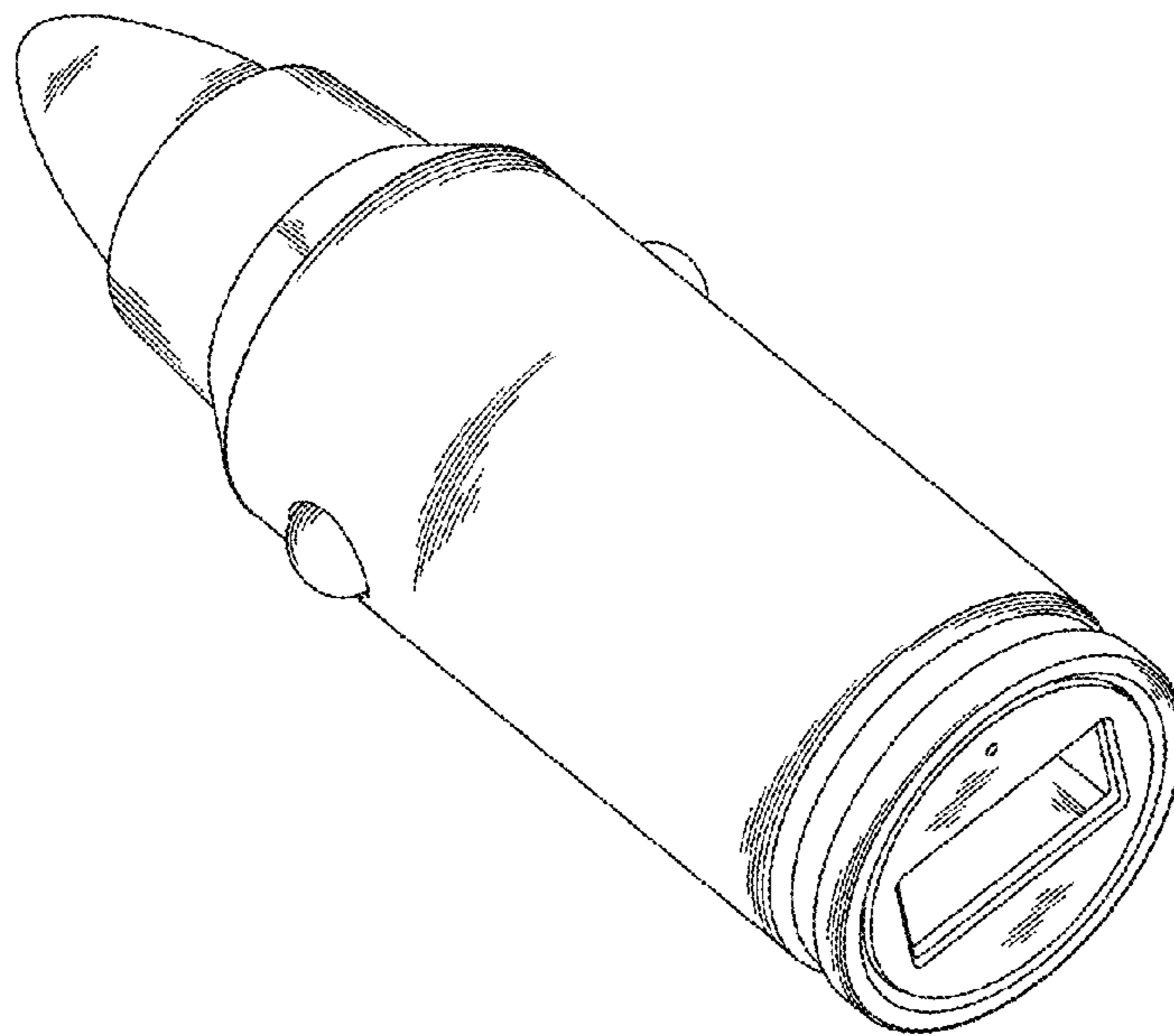
The ornamental design for a car charger, as shown and described.

DESCRIPTION

FIG. 1 is a front view of a car charger showing my new design;
FIG. 2 is a rear view thereof;
FIG. 3 is a left side view thereof;
FIG. 4 is a right side view thereof;
FIG. 5 is a top view thereof;
FIG. 6 is a bottom view thereof; and,
FIG. 7 is a perspective view thereof.

1 Claim, 5 Drawing Sheets

(56) **References Cited**
U.S. PATENT DOCUMENTS
D314,178 S * 1/1991 Reber D13/144
5,201,677 A * 4/1993 Takayama B60N 3/14
439/620.31
5,387,136 A * 2/1995 Britton H01R 24/20
439/353
5,593,323 A * 1/1997 Dernehl H01R 13/717
439/638
D546,657 S * 7/2007 Buening D8/103
D626,072 S * 10/2010 Tseng D13/144
D632,653 S * 2/2011 Wikel D13/144
D639,280 S * 6/2011 Hayes D14/223



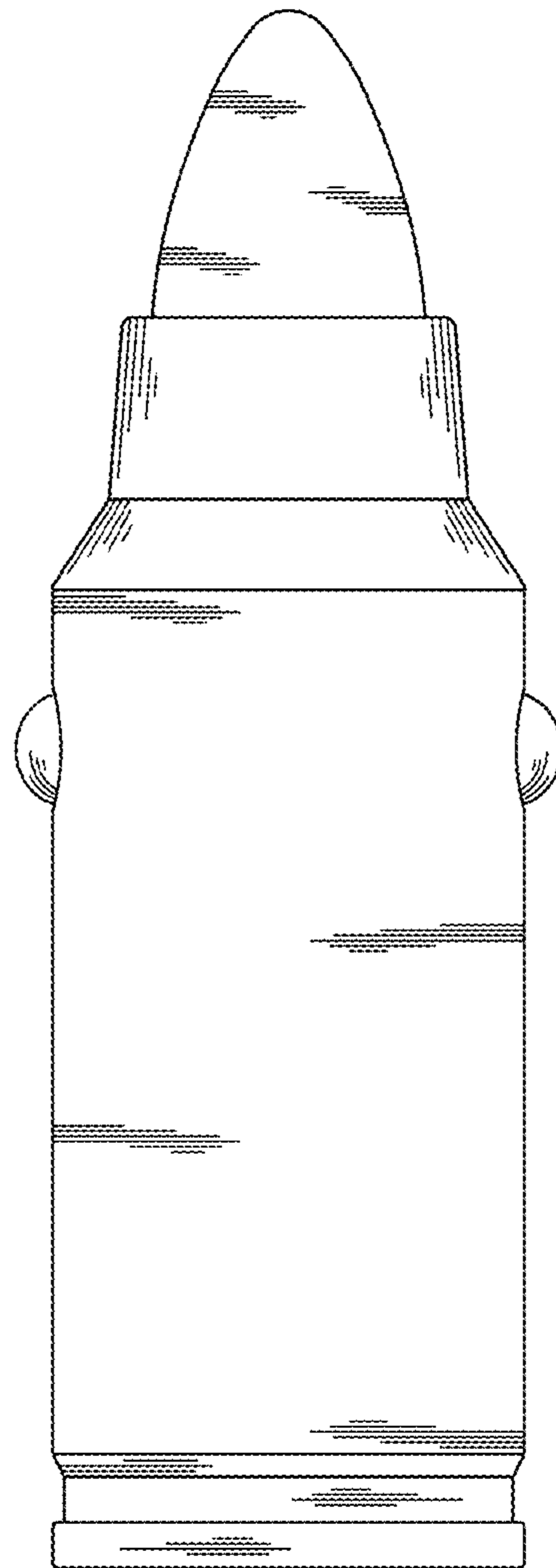


FIG.1

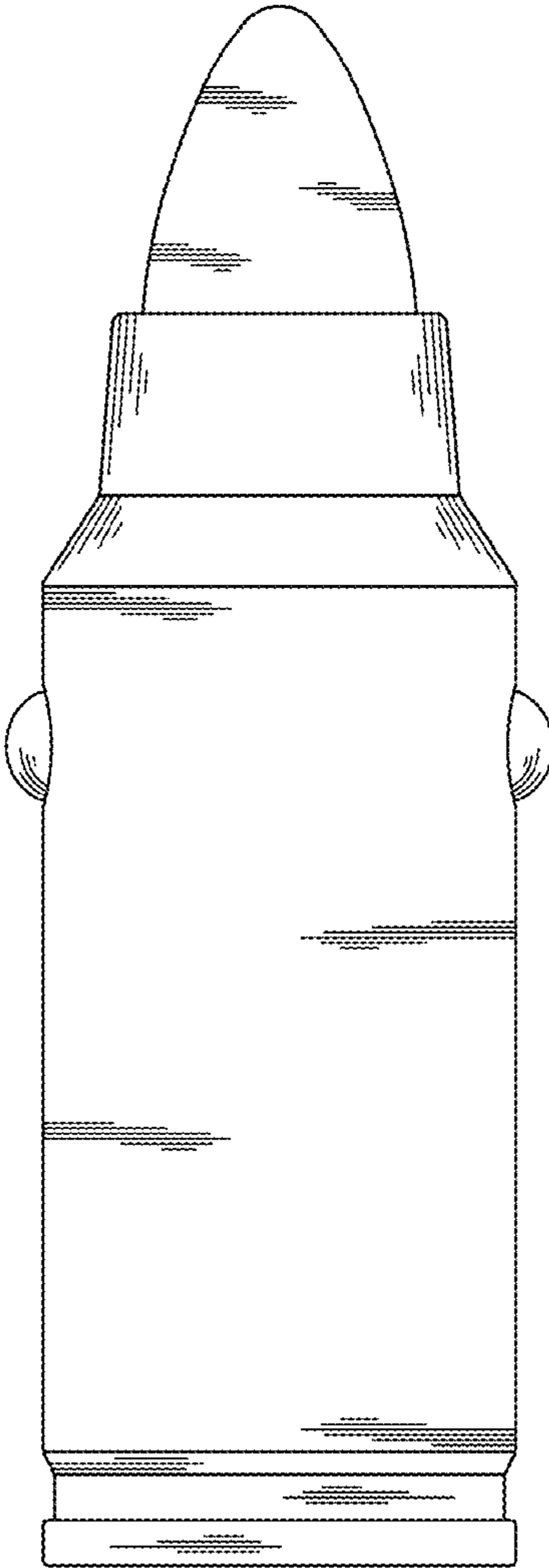


FIG. 2

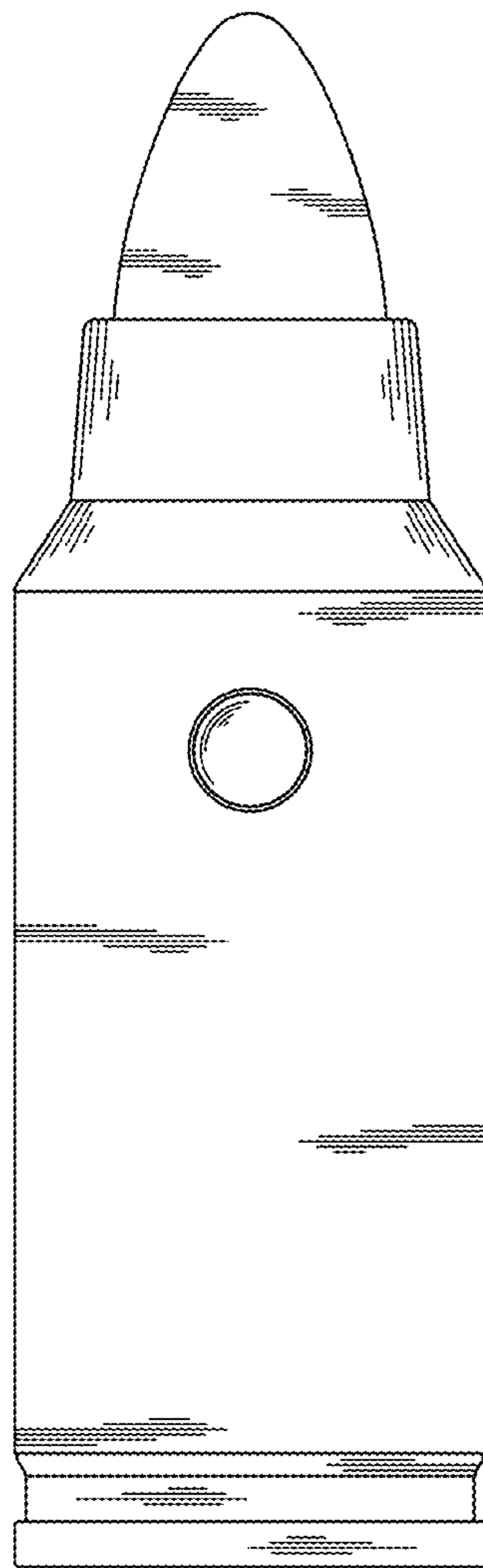


FIG.3

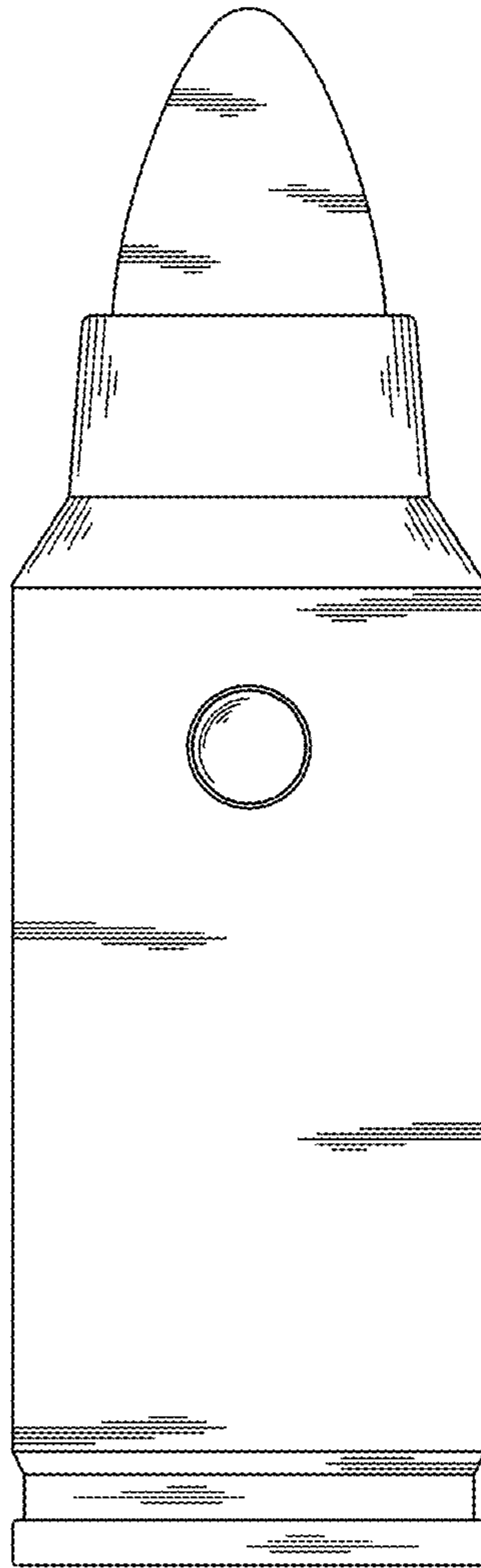


FIG. 4

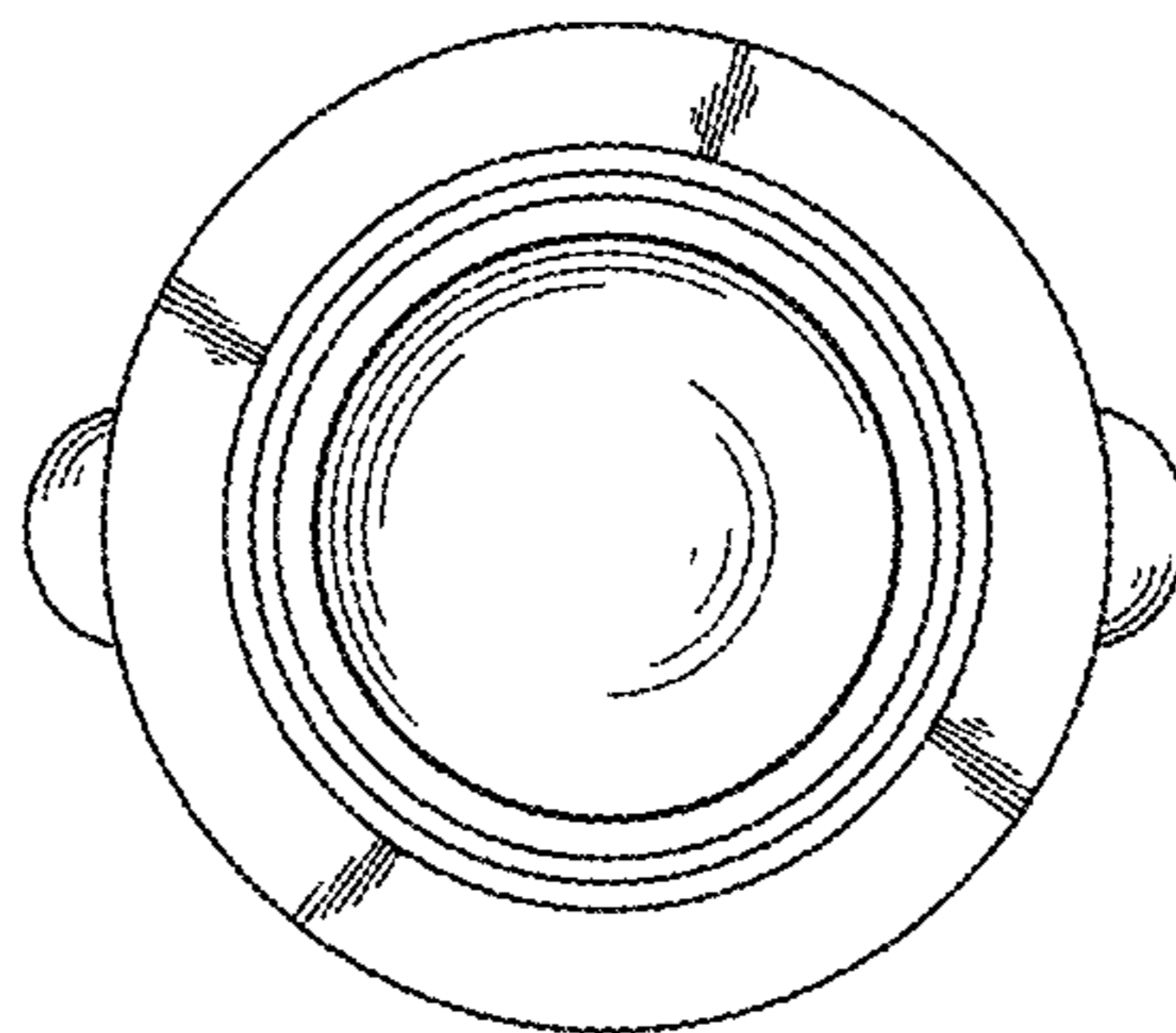


FIG. 5

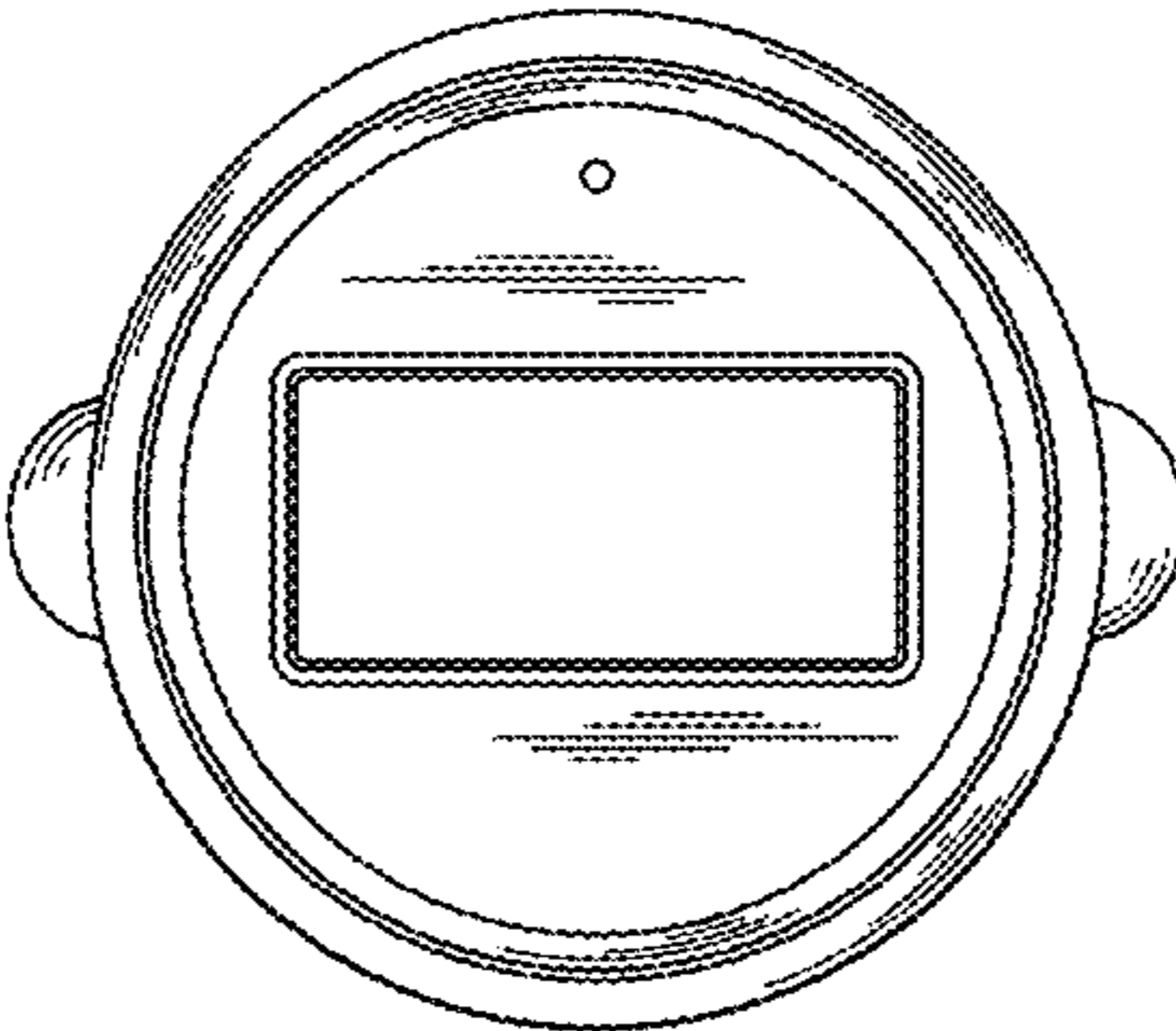


FIG.6

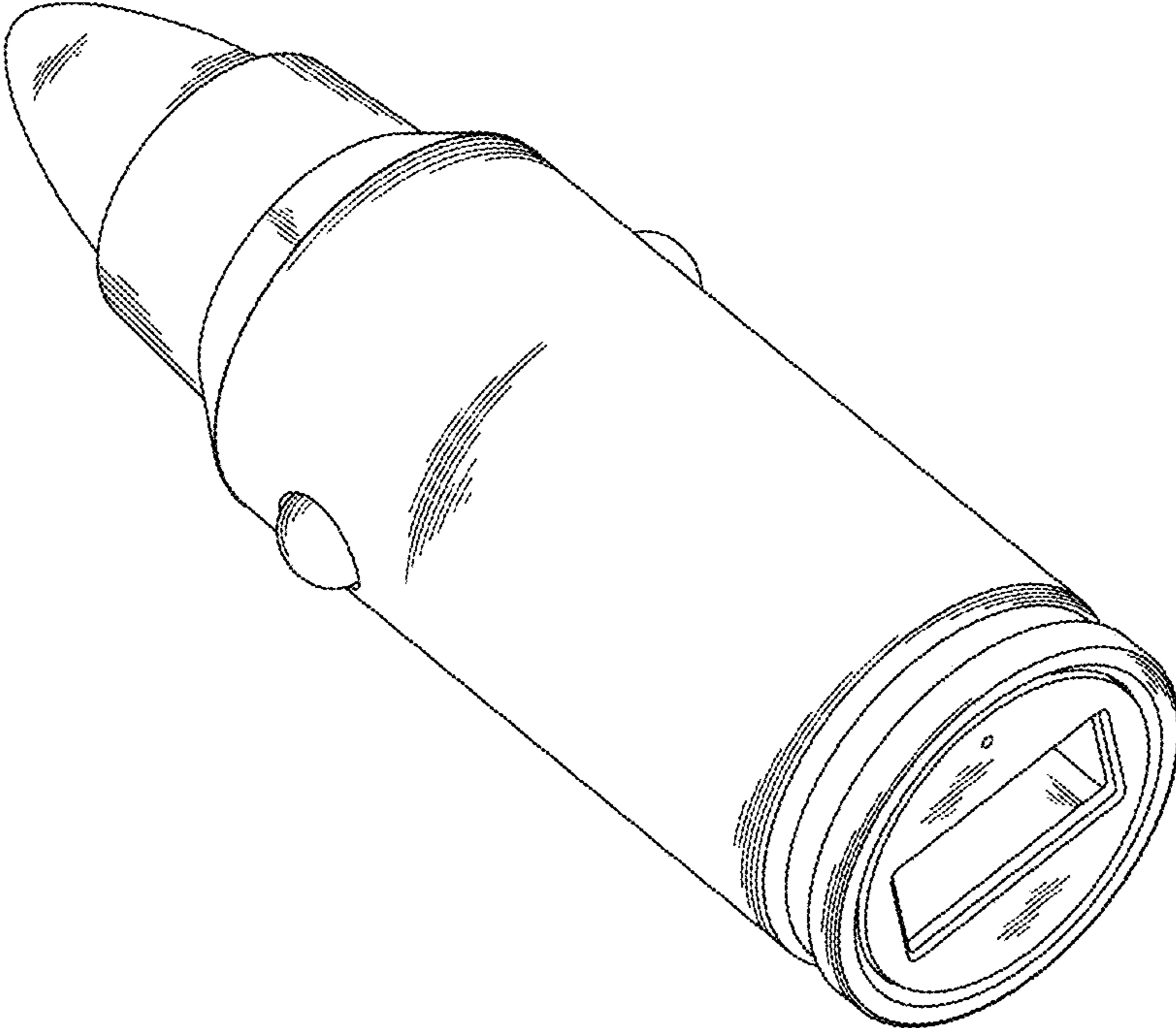


FIG.7