

US00D833396S

(12) **United States Design Patent** (10) **Patent No.:** **US D833,396 S**
Tyrrell et al. (45) **Date of Patent:** **** Nov. 13, 2018**

- (54) **ELECTRIC BUSS RAIL CARRIER**
- (71) Applicant: **IDEAL Industries, Inc.**, Sycamore, IL (US)
- (72) Inventors: **James Tyrrell**, Sycamore, IL (US);
Justin Cerutti, Sycamore, IL (US)
- (73) Assignee: **IDEAL Industries, Inc.**, Sycamore, IL (US)
- (**) Term: **15 Years**
- (21) Appl. No.: **29/601,415**
- (22) Filed: **Apr. 21, 2017**
- (51) **LOC (11) Cl.** **13-03**
- (52) **U.S. Cl.**
USPC **D13/139.2**
- (58) **Field of Classification Search**
USPC D12/49, 50; D13/123, 128, 155, 129,
D13/131, 132, 133, 153, 154, 156, 157,
D13/184, 199, 139.2; D8/354, 356, 366,
D8/380, 396, 373, 376, 307, 353, 352,
D8/367, 378, 310; D25/119, 120, 121,
D25/122, 123, 124, 125; D26/72, 138
CPC H02J 1/00; H01R 13/6205; H01R 13/627;
H01R 24/62; H01R 25/147; H01R 25/16;
H01R 25/14
See application file for complete search history.

(56) **References Cited**

U.S. PATENT DOCUMENTS

- D85,226 S * 9/1931 Awbrey D25/123
- D175,586 S * 9/1955 Cataldo D13/155
- D278,229 S * 4/1985 Widell D13/147
- 6,379,175 B1 * 4/2002 Reede H01R 13/6463
439/418
- D489,465 S * 5/2004 Allsopp D25/119
- D649,691 S * 11/2011 Trzesniowski D26/138

- D689,206 S * 9/2013 Ellsworth D25/125
- D695,221 S * 12/2013 Lamouree D13/122
- D748,064 S * 1/2016 Baldwin D13/155
- D765,603 S * 9/2016 Baldwin D13/155
- D771,232 S * 11/2016 Coon D23/393
- D771,276 S * 11/2016 Walker D25/119
- D775,409 S * 12/2016 Klus D26/138
- D782,105 S * 3/2017 Klus D26/138
- D796,111 S * 8/2017 Trzcielinski D26/142
- D807,572 S * 1/2018 Klus D26/138
- 9,912,100 B2 * 3/2018 Zantout H01R 13/6205
- D818,194 S * 5/2018 Trzesniowski D26/138
- 2005/0237769 A1 * 10/2005 Hong H01R 25/147
362/648
- 2006/0039168 A1 * 2/2006 Mier-Langner F21S 8/038
362/648
- 2014/0167501 A1 * 6/2014 Marosi G02B 6/0083
307/11

(Continued)

Primary Examiner — T Chase Nelson

Assistant Examiner — Ania Aman

(74) *Attorney, Agent, or Firm* — Greenberg Traurig, LLP

(57) **CLAIM**

The ornamental design for an electric buss rail carrier, as shown and described.

DESCRIPTION

FIG. 1 is a top, front perspective view of an electric buss rail carrier showing our new design;

FIG. 2 is a top plan view thereof;

FIG. 3 is a bottom plan view thereof;

FIG. 4 is a right side elevational view thereof;

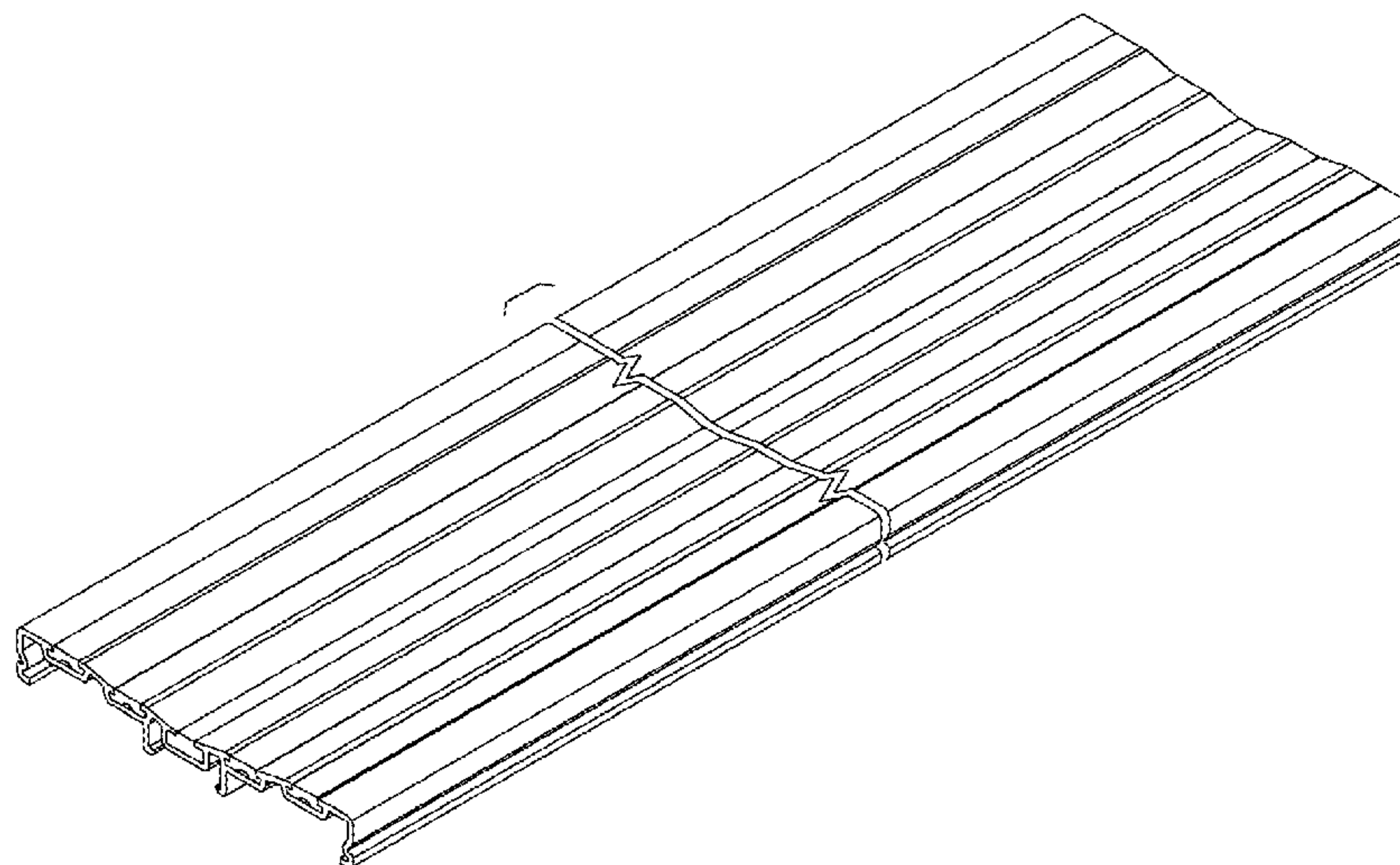
FIG. 5 is a left side elevational view thereof;

FIG. 6 is a front side elevational view thereof; and,

FIG. 7 is a rear side elevational view thereof.

The electric buss rail carrier is shown with a symbolic break in its length. The appearance of any portion of the electric buss rail carrier between the break lines forms no part of the claimed design.

1 Claim, 4 Drawing Sheets



(56)

References Cited

U.S. PATENT DOCUMENTS

2015/0253360 A1* 9/2015 Wendt H05B 37/0245
307/18
2016/0268728 A1* 9/2016 Zantout H01R 13/6205
2018/0090877 A1* 3/2018 Weiby H01R 13/6205

* cited by examiner

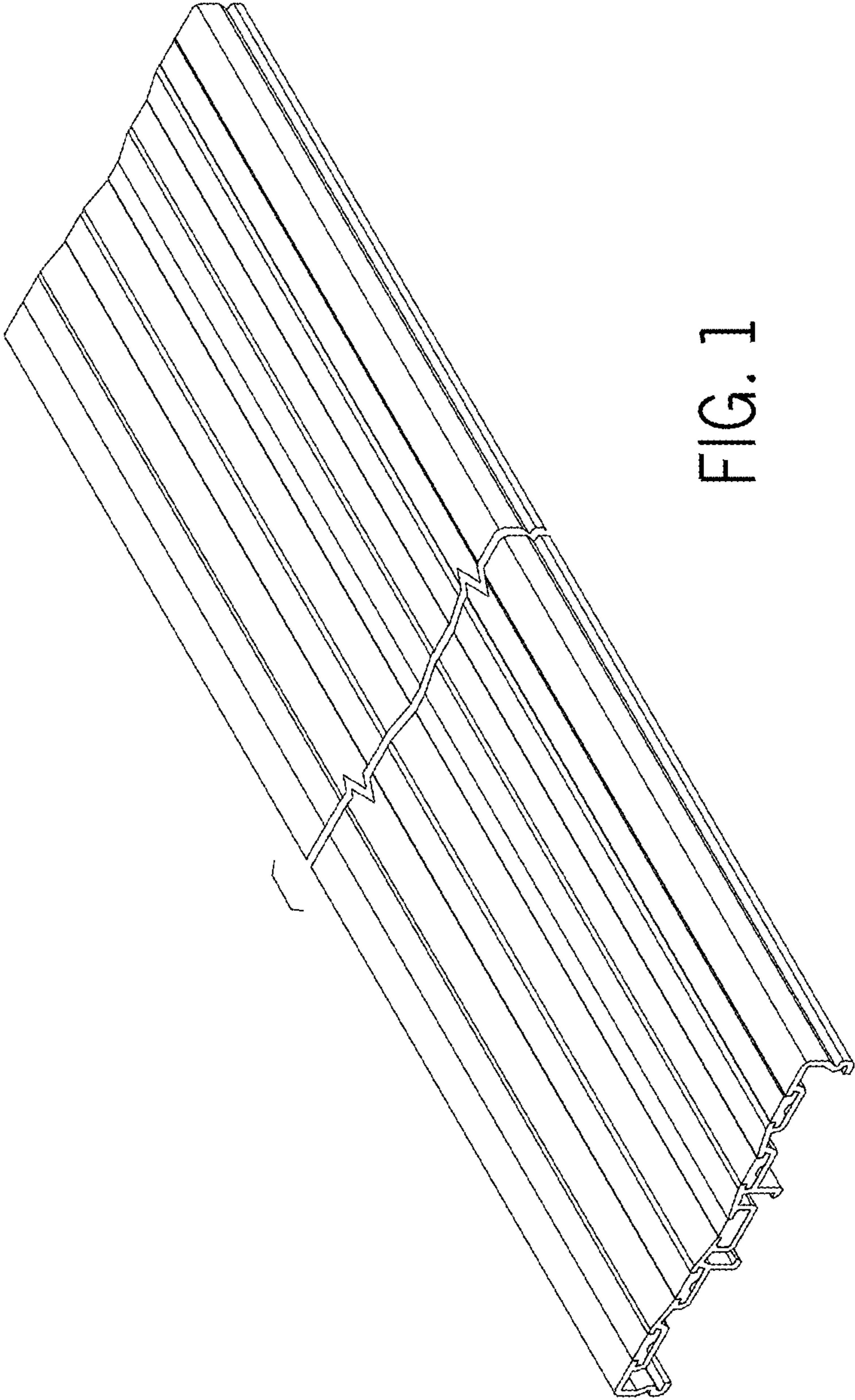


FIG. 1

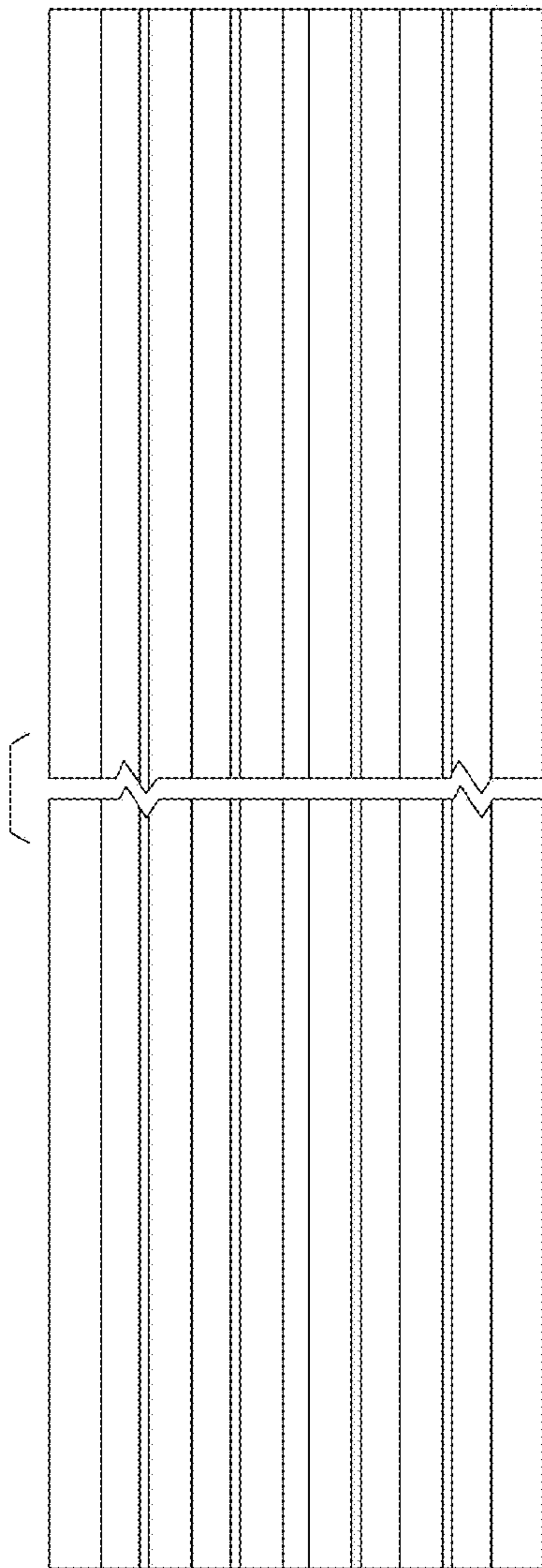


FIG. 2

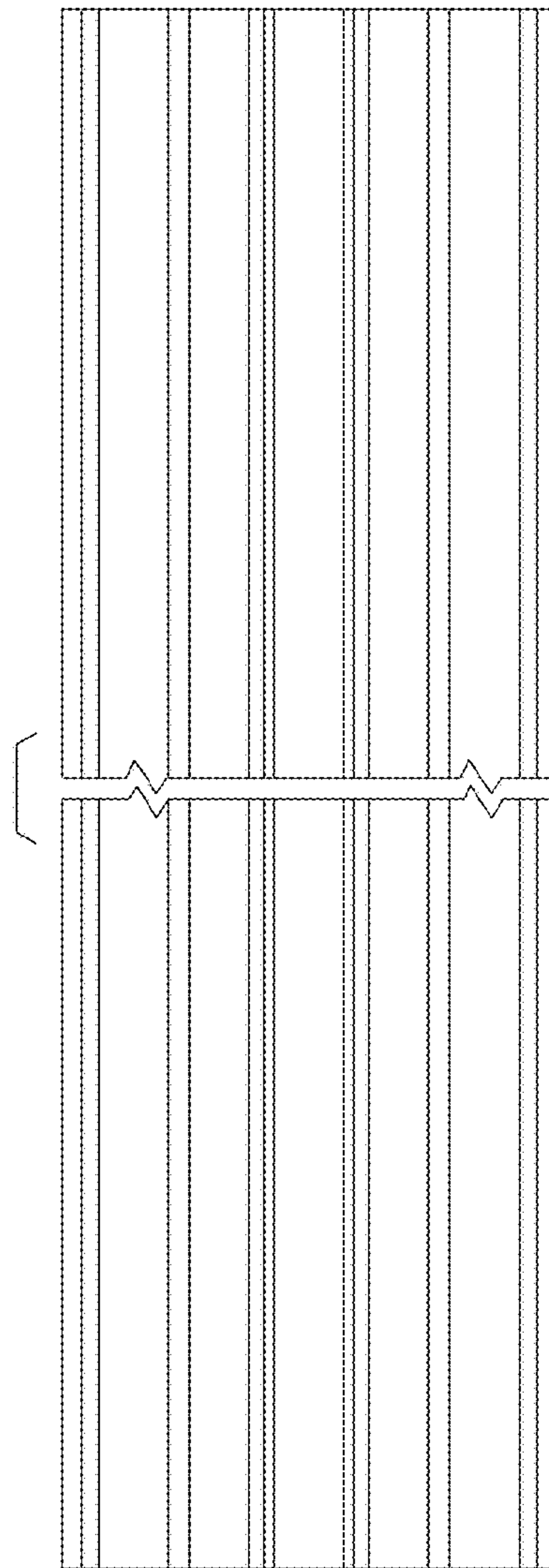


FIG. 3

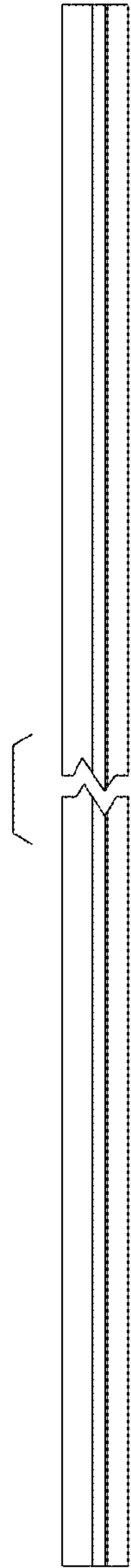


FIG. 4



FIG. 5

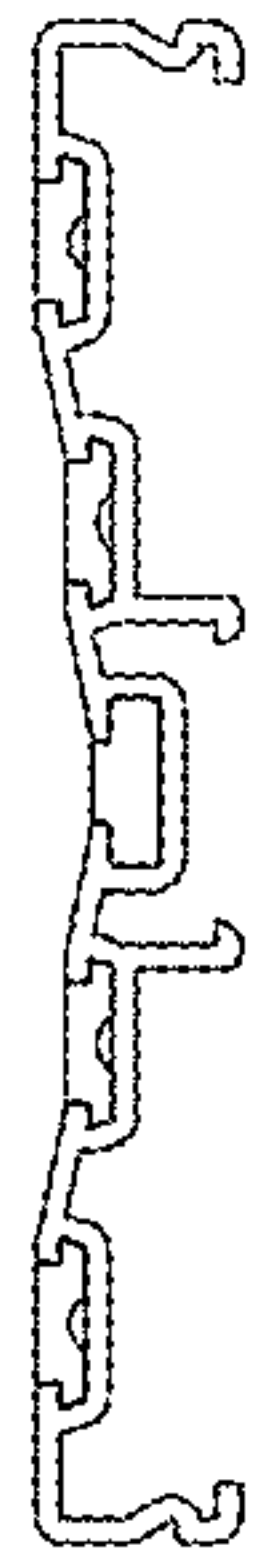


FIG. 6



FIG. 7