



US00D833394S

(12) **United States Design Patent** (10) **Patent No.:** **US D833,394 S**
Gorin et al. (45) **Date of Patent:** **** *Nov. 13, 2018**

(54) **FACEPLATE WITH A PLUG FOR CHARGING A PORTABLE COMMUNICATIONS DEVICE**

(58) **Field of Classification Search**
USPC D13/137.1–137.4, 138.1–138.2, D13/139.1–139.8, 152–154, 108, 110, (Continued)

(71) Applicants: **Thomas Michael Gorin**, Atlanta, GA (US); **James Loye Hutchinson**, Dallas, GA (US); **Cassidy Amber Jones**, Dunwoody, GA (US); **Jeremy Sabri Omess**, Sandy Springs, GA (US); **Nicolas Juan Nuñez**, Suwanne, GA (US); **Hagan McBride**, Atlanta, GA (US)

(56) **References Cited**
U.S. PATENT DOCUMENTS
5,562,488 A 10/1996 Neiser et al.
5,701,981 A 12/1997 Marshall et al.
(Continued)

(72) Inventors: **Thomas Michael Gorin**, Atlanta, GA (US); **James Loye Hutchinson**, Dallas, GA (US); **Cassidy Amber Jones**, Dunwoody, GA (US); **Jeremy Sabri Omess**, Sandy Springs, GA (US); **Nicolas Juan Nuñez**, Suwanne, GA (US); **Hagan McBride**, Atlanta, GA (US)

FOREIGN PATENT DOCUMENTS
CN 201 570 704 U 9/2010
CN 201766 249 U 3/2011
CN 204 230 589 U 3/2015

(73) Assignee: **DATA:COMM ELECTRONICS, INC.**, Norcross, GA (US)

OTHER PUBLICATIONS
European Search Report in co-pending, related application No. EP 17181092, dated Feb. 14, 2018.

(*) Notice: This patent is subject to a terminal disclaimer.

Primary Examiner — Rosemary K Tarcza
Assistant Examiner — Christy M Nemeth
(74) *Attorney, Agent, or Firm* — Thomas | Horstemeyer, LLP

(**) Term: **15 Years**

(57) **CLAIM**
The ornamental design for a faceplate with a plug for charging a portable communications device, as shown and described.

(21) Appl. No.: **29/630,095**

(22) Filed: **Dec. 19, 2017**

DESCRIPTION

Related U.S. Application Data

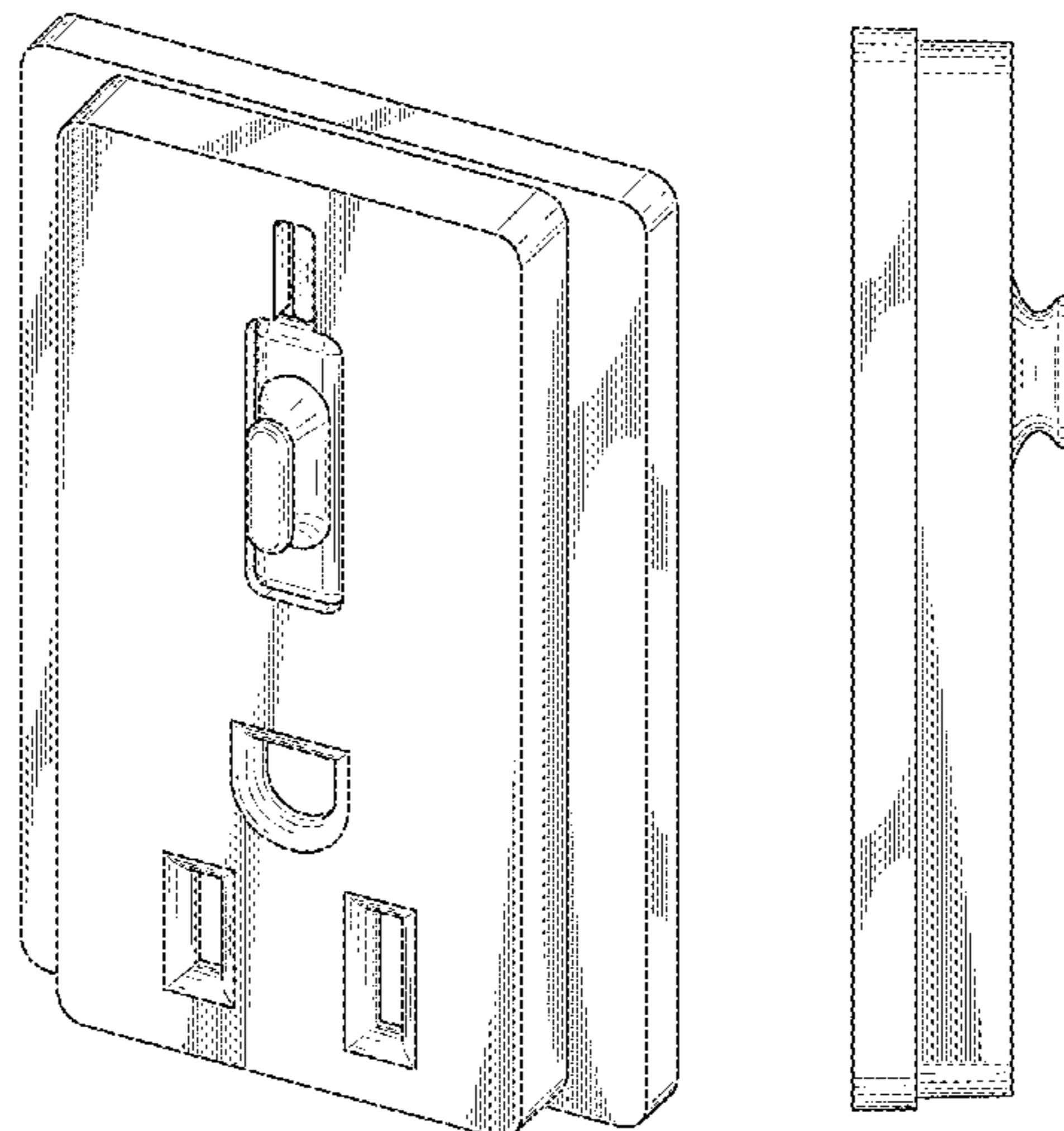
FIG. 1 is a front perspective view of a faceplate with plug for charging a portable communication device;
FIG. 2 is a left side view thereof;
FIG. 3 is a right side view thereof;
FIG. 4 is a front elevational view thereof;
FIG. 5 is a top view thereof; and,
FIG. 6 is a bottom view thereof.

(63) Continuation-in-part of application No. 29/563,313, filed on May 4, 2016, now Pat. No. Des. 807,296.

(51) **LOC (11) Cl.** **13-03**

(52) **U.S. Cl.**
USPC **D13/139.1**

1 Claim, 4 Drawing Sheets



(58) **Field of Classification Search**

USPC D13/123, 133, 146, 147, 156, 158, 160;
D14/433, 434
CPC .. H01R 25/00; H01R 25/006; H01R 13/6675;
H01R 13/44; H01R 13/627; H01R
13/447; H01R 13/73; H01R 13/66; H01R
13/60

See application file for complete search history.

(56) **References Cited**

U.S. PATENT DOCUMENTS

5,723,815	A	3/1998	Pena	
D427,887	S	7/2000	Leopold	
6,923,675	B2	8/2005	Gorin	
7,000,746	B2	2/2006	Mackin et al.	
7,193,154	B1	3/2007	Connelly	
D558,676	S *	1/2008	Fort	D13/139.3
D595,229	S *	6/2009	LaGrotta	D13/137.2
D609,642	S *	2/2010	Gandolfi	D13/137.2
7,857,659	B2	12/2010	Wang et al.	
D662,885	S *	7/2012	Hoffman	D13/139.1
D694,713	S *	12/2013	Yeo	D13/137.1
D719,512	S *	12/2014	Roy	D13/139.6
D731,432	S *	6/2015	Murphy	D13/139.1
D742,825	S	11/2015	Tsou	
D754,074	S *	4/2016	DeCosta	D13/139.3
D758,312	S *	6/2016	Lin	D13/137.2
D807,296	S *	1/2018	Gorin	D13/139.1
2007/0272532	A1	11/2007	Pessina	
2011/0272959	A1	11/2011	Lupton et al.	
2013/0244475	A1	9/2013	Sayadi et al.	
2013/0257730	A1	10/2013	Chang et al.	
2014/0306661	A1	10/2014	Rosenblum et al.	
2017/0324200	A1 *	11/2017	Gorin	H01R 25/006

* cited by examiner

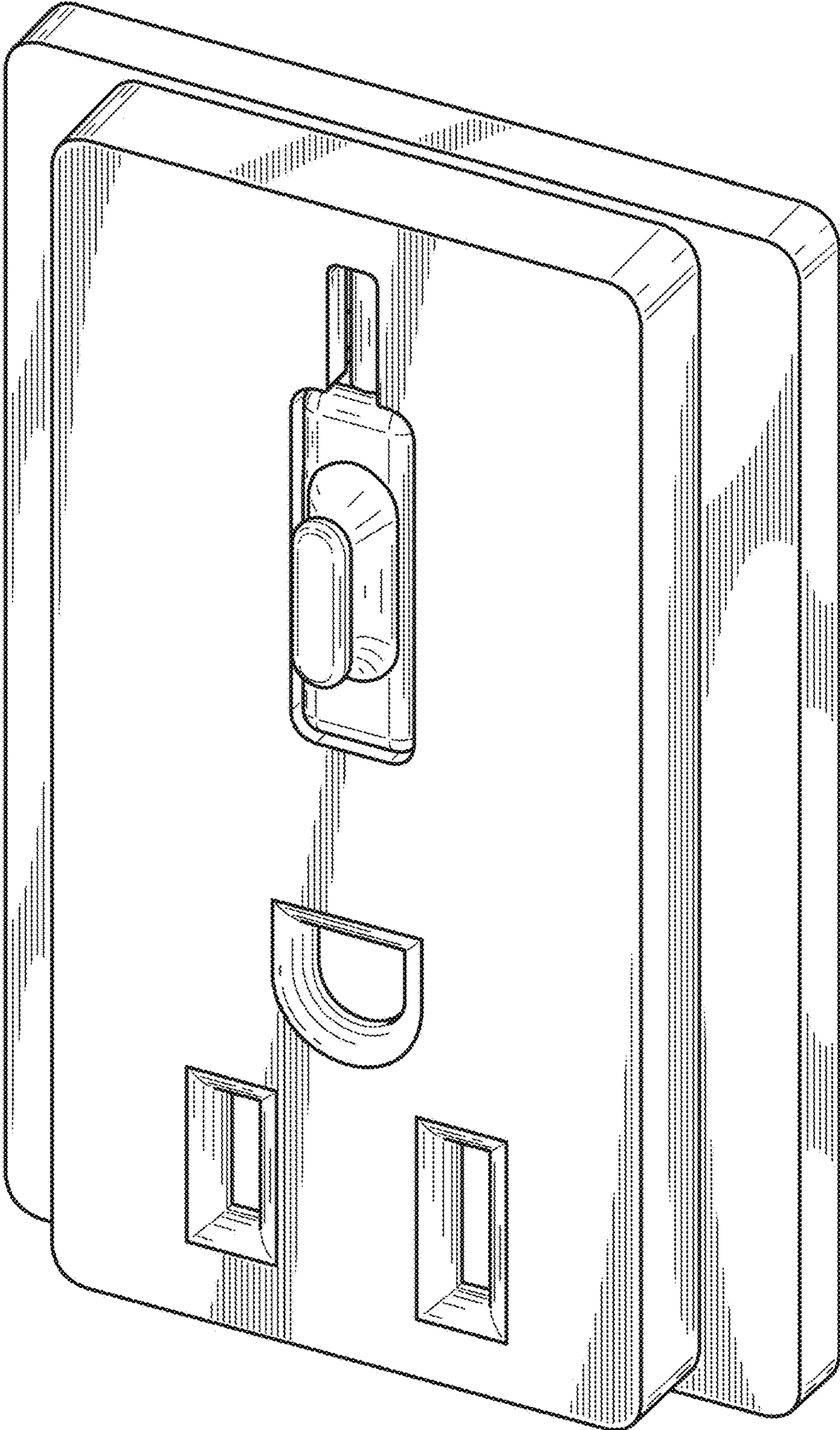


FIG. 1

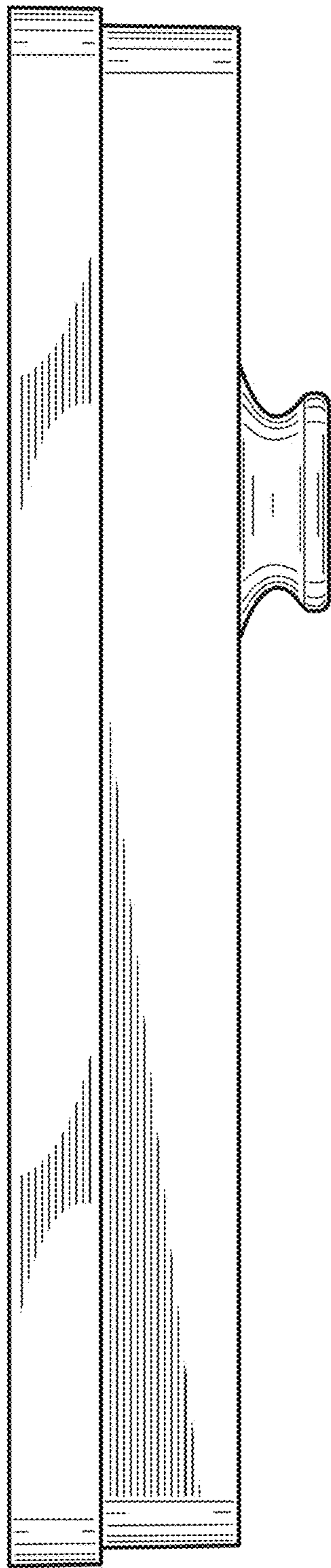


FIG. 2

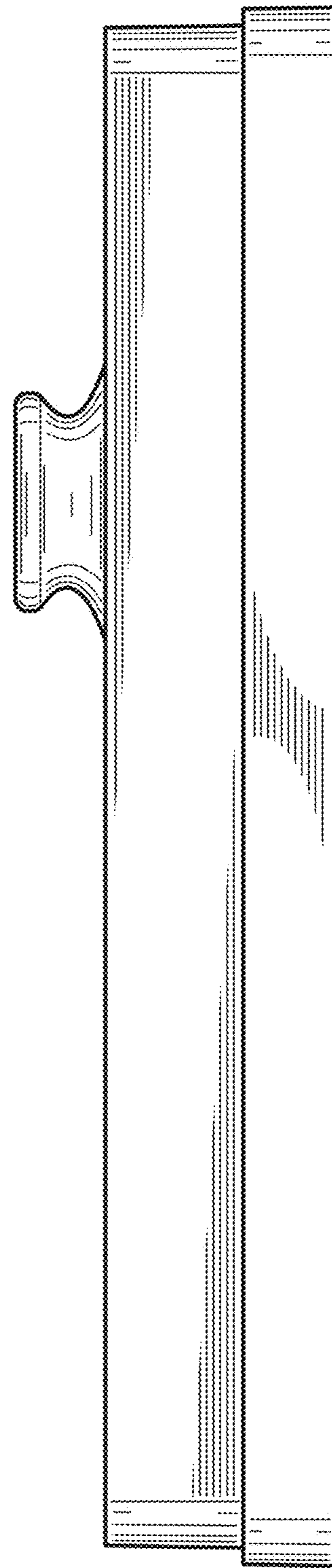


FIG. 3

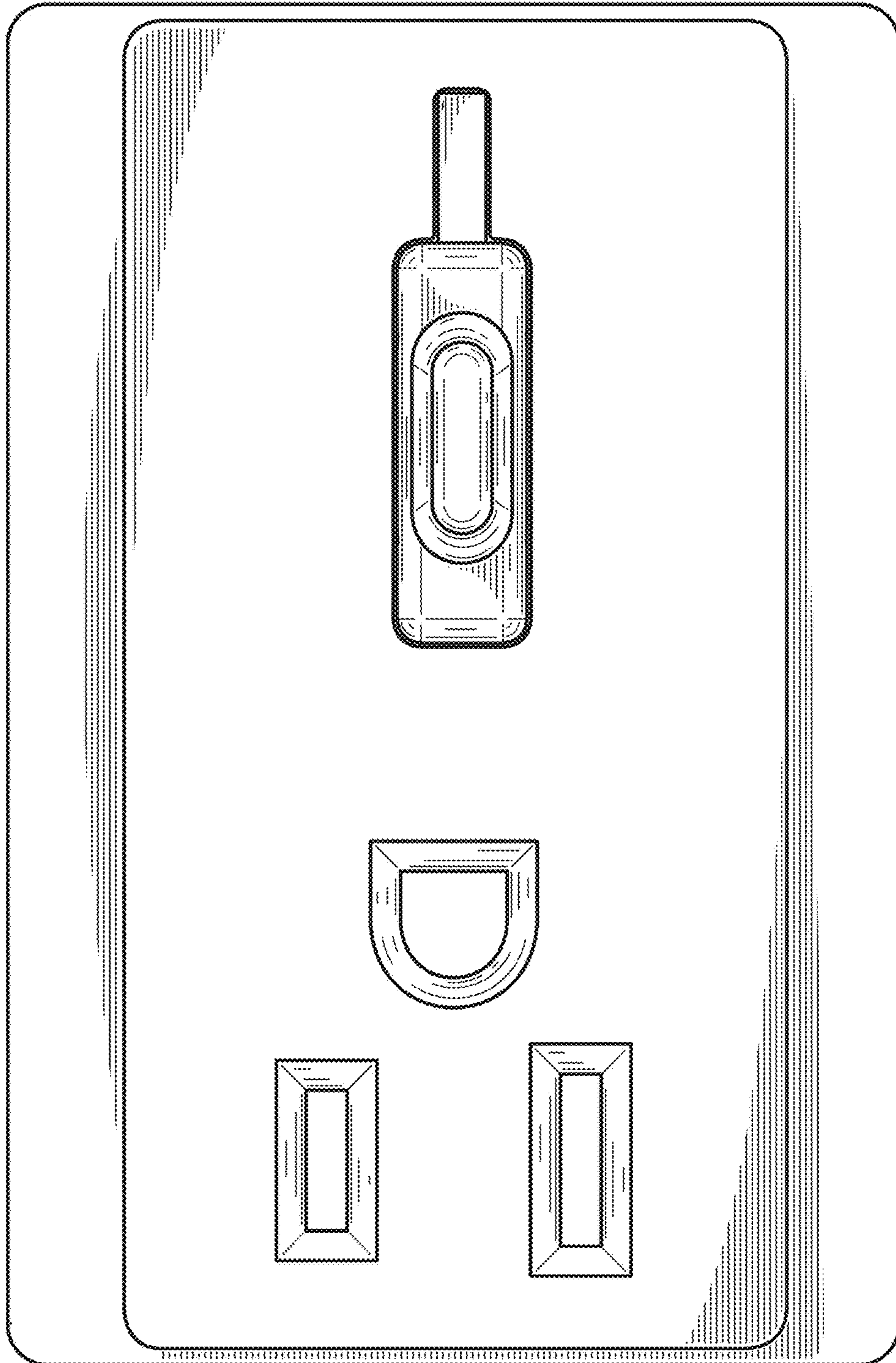


FIG. 4

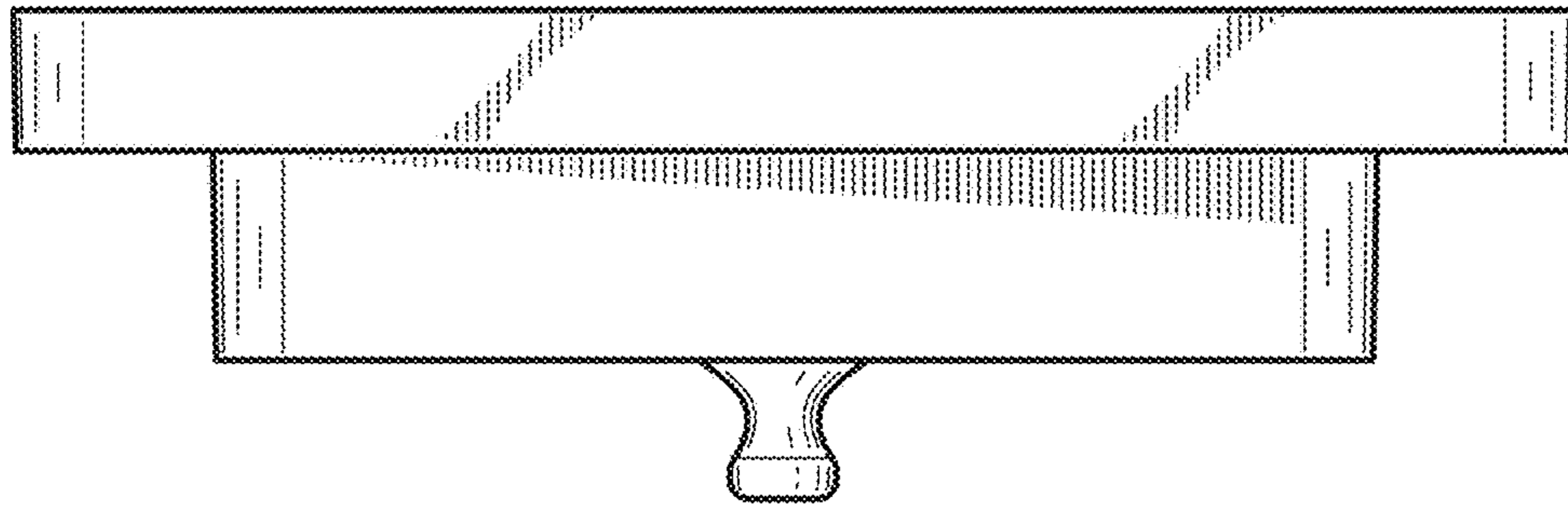


FIG. 5

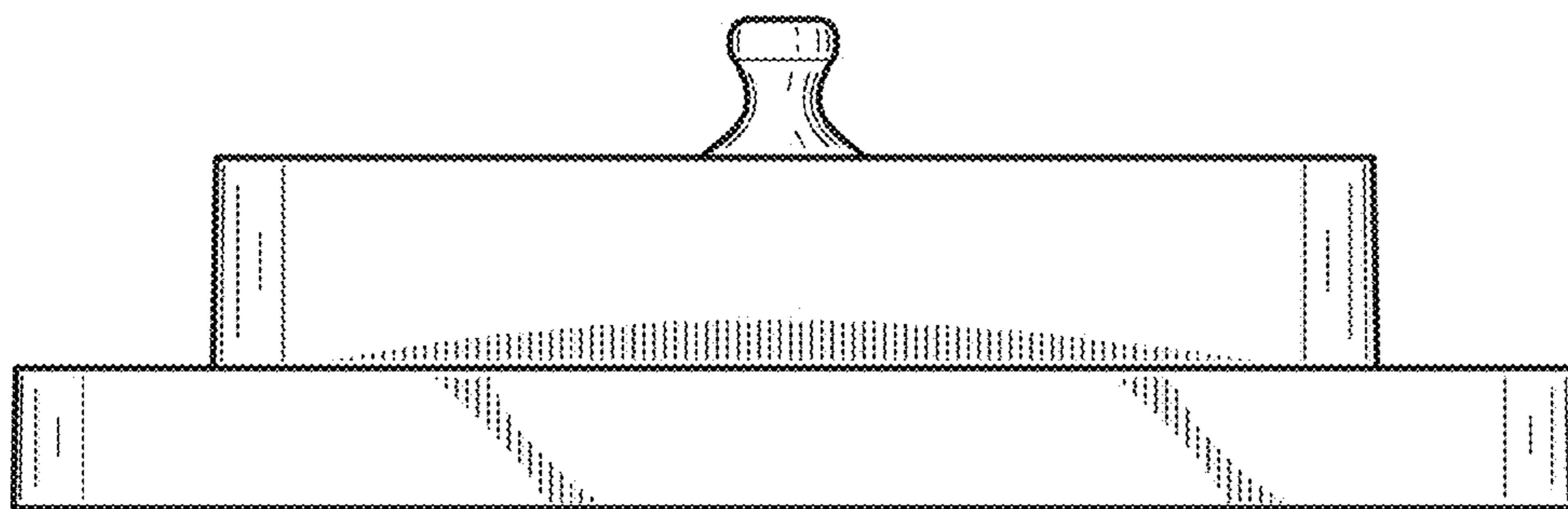


FIG. 6