



US00D833393S

(12) **United States Design Patent** (10) **Patent No.:** **US D833,393 S**
Gorin et al. (45) **Date of Patent:** **** *Nov. 13, 2018**

(54) **FACEPLATE WITH A PLUG FOR CHARGING A PORTABLE COMMUNICATIONS DEVICE**

(71) Applicants: **Thomas Michael Gorin**, Atlanta, GA (US); **James Loye Hutchinson**, Dallas, GA (US); **Cassidy Amber Jones**, Dunwoody, GA (US); **Jeremy Sabri Omess**, Sandy Springs, GA (US); **Nicolas Juan Nuñez**, Suwanne, GA (US); **Hagan McBride**, Atlanta, GA (US)

(72) Inventors: **Thomas Michael Gorin**, Atlanta, GA (US); **James Loye Hutchinson**, Dallas, GA (US); **Cassidy Amber Jones**, Dunwoody, GA (US); **Jeremy Sabri Omess**, Sandy Springs, GA (US); **Nicolas Juan Nuñez**, Suwanne, GA (US); **Hagan McBride**, Atlanta, GA (US)

(73) Assignee: **DATA:COMM ELECTRONICS, INC.**, Norcross, GA (US)

(*) Notice: This patent is subject to a terminal disclaimer.

(**) Term: **15 Years**

(21) Appl. No.: **29/630,088**

(22) Filed: **Dec. 19, 2017**

Related U.S. Application Data

(63) Continuation-in-part of application No. 29/563,313, filed on May 4, 2016, now Pat. No. Des. 807,296.

(51) **LOC (11) Cl.** **13-03**

(52) **U.S. Cl.**
USPC **D13/139.1**

(58) **Field of Classification Search**
USPC D13/137.1-137.4, 138.1-138.2, D13/139.1-139.8, 152-154, 108, 110, (Continued)

(56) **References Cited**
U.S. PATENT DOCUMENTS
5,562,488 A 10/1996 Neiser et al.
5,701,981 A 12/1997 Marshall et al.
(Continued)

FOREIGN PATENT DOCUMENTS
CN 201 570 704 U 9/2010
CN 201766 249 U 3/2011
CN 204 230 589 U 3/2015

OTHER PUBLICATIONS
European Search Report in co-pending, related application No. EP 17181092, dated Feb. 14, 2018.

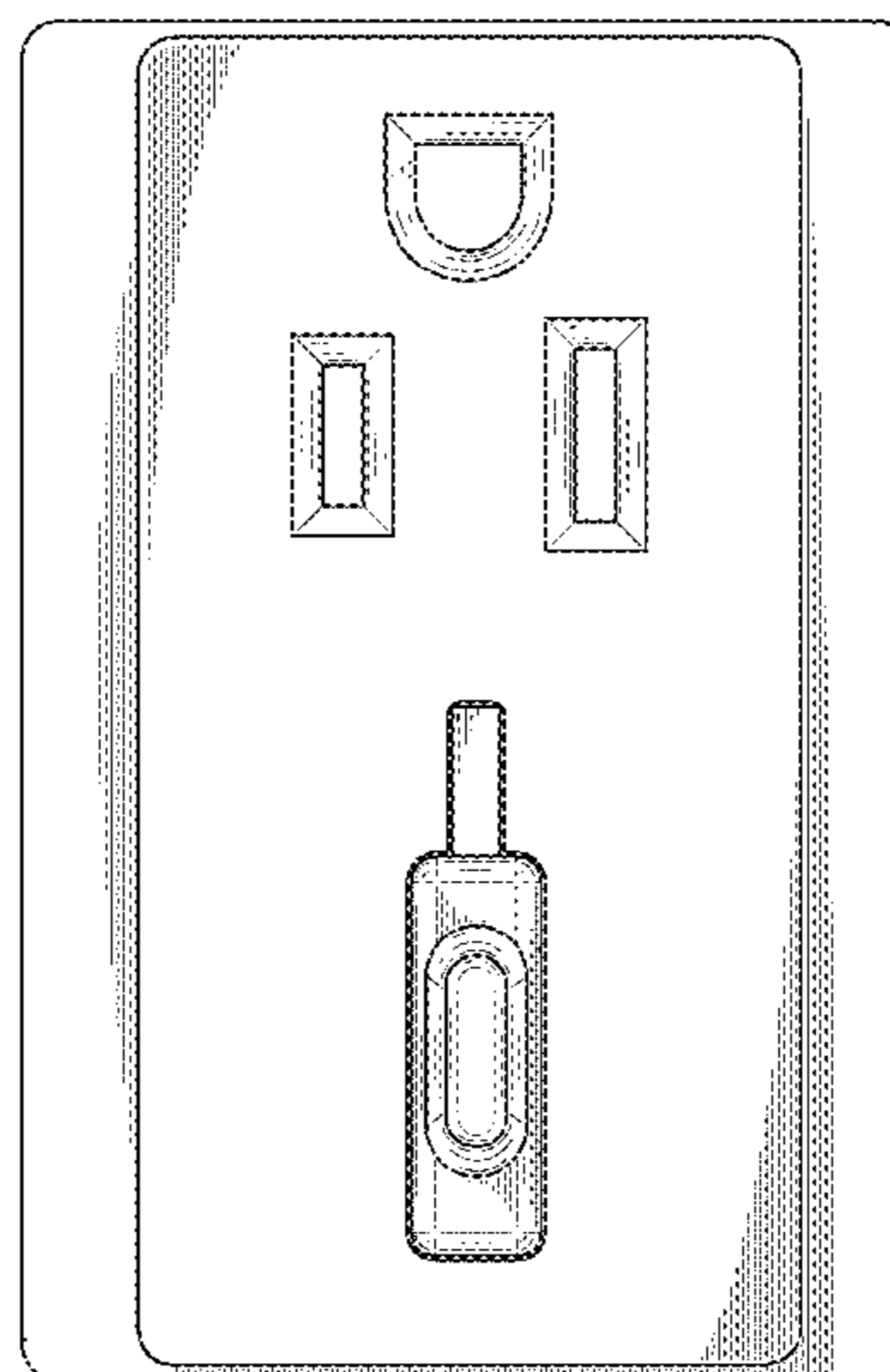
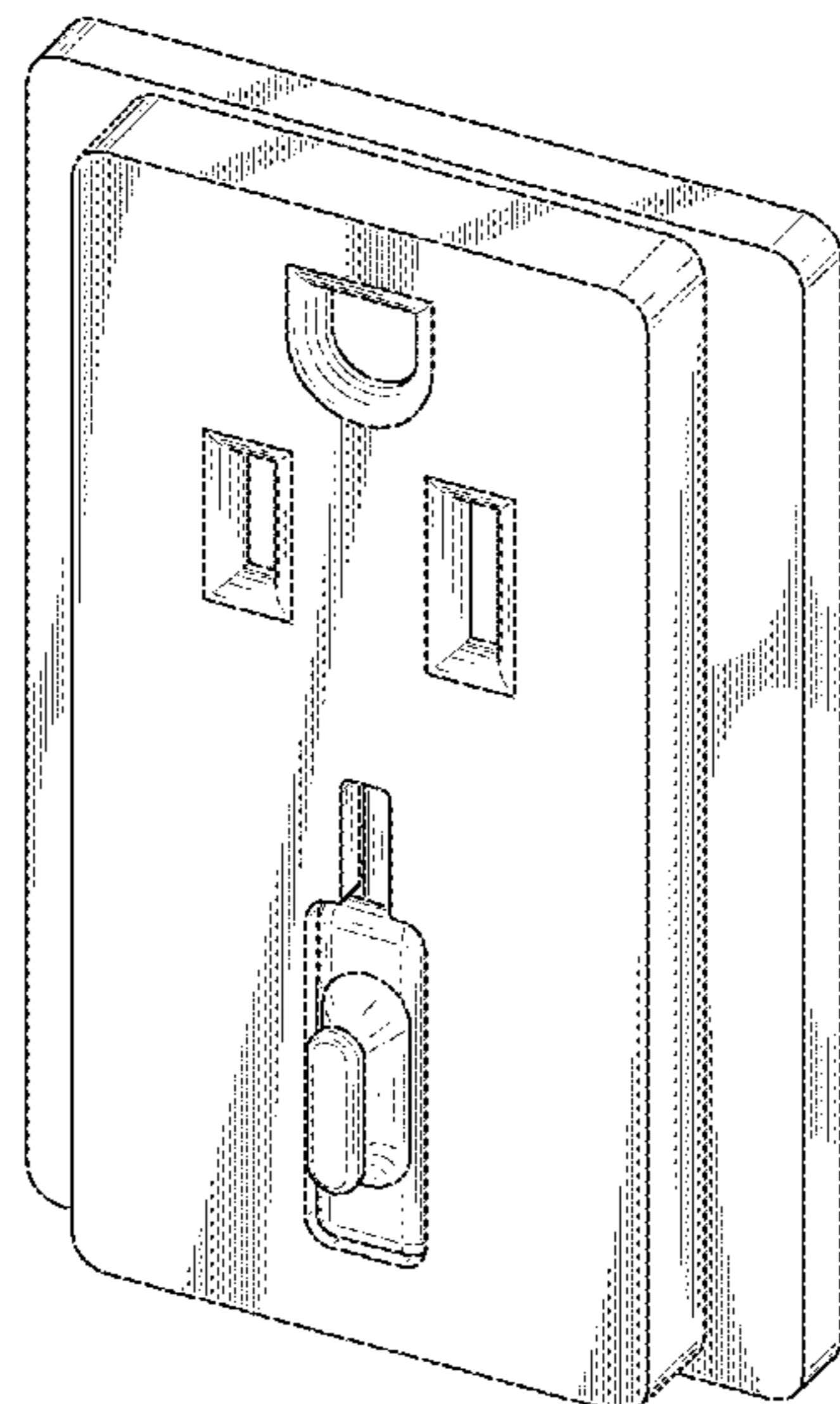
Primary Examiner — Rosemary K Tarcza
Assistant Examiner — Christy M Nemeth
(74) *Attorney, Agent, or Firm* — Thomas | Horstemeyer, LLP

(57) **CLAIM**
The ornamental design for a faceplate with a plug for charging a portable communications device, as shown and described.

DESCRIPTION

FIG. 1 is a front perspective view of a faceplate with plug for charging a portable communication device;
FIG. 2 is a left side view thereof;
FIG. 3 is a right side view thereof;
FIG. 4 is a front elevational view thereof;
FIG. 5 is a top view thereof; and,
FIG. 6 is a bottom view thereof.

1 Claim, 4 Drawing Sheets



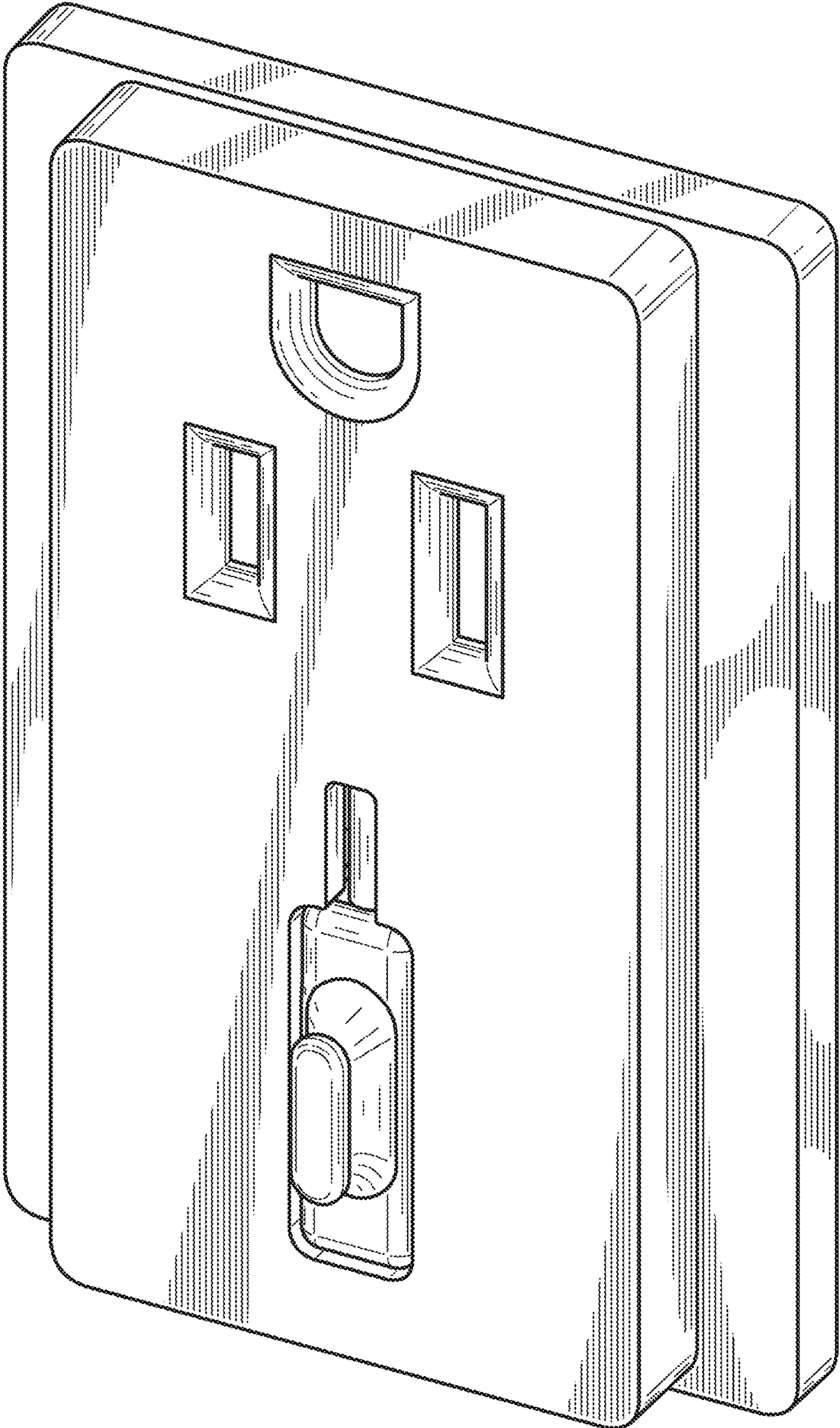


FIG. 1

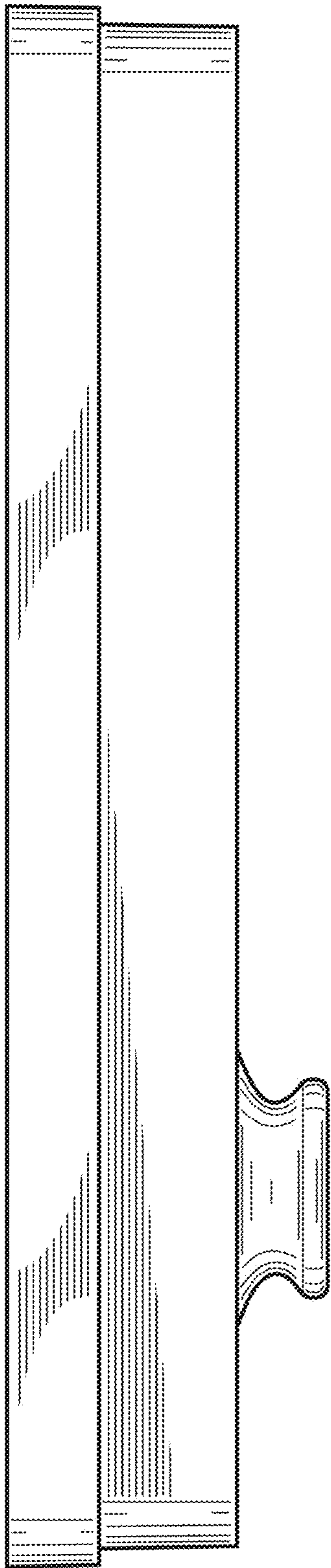


FIG. 2

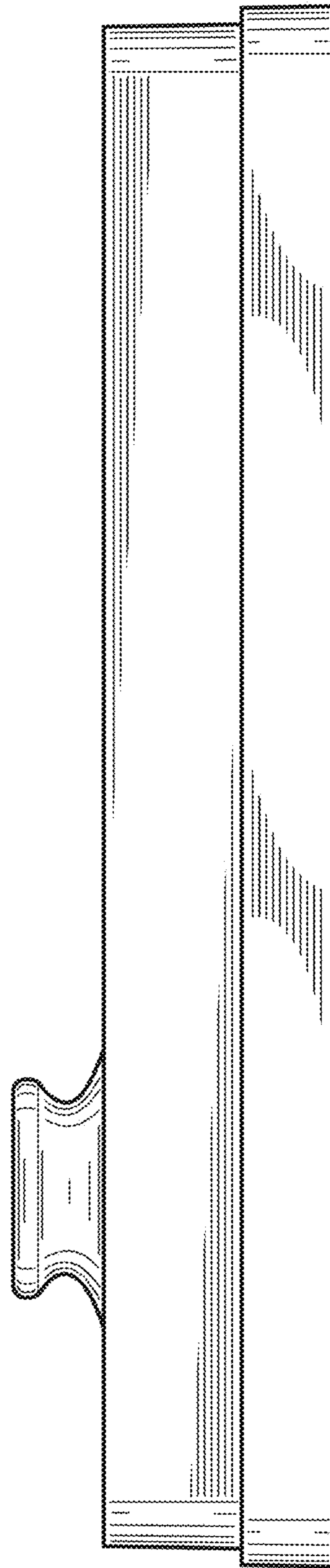


FIG. 3

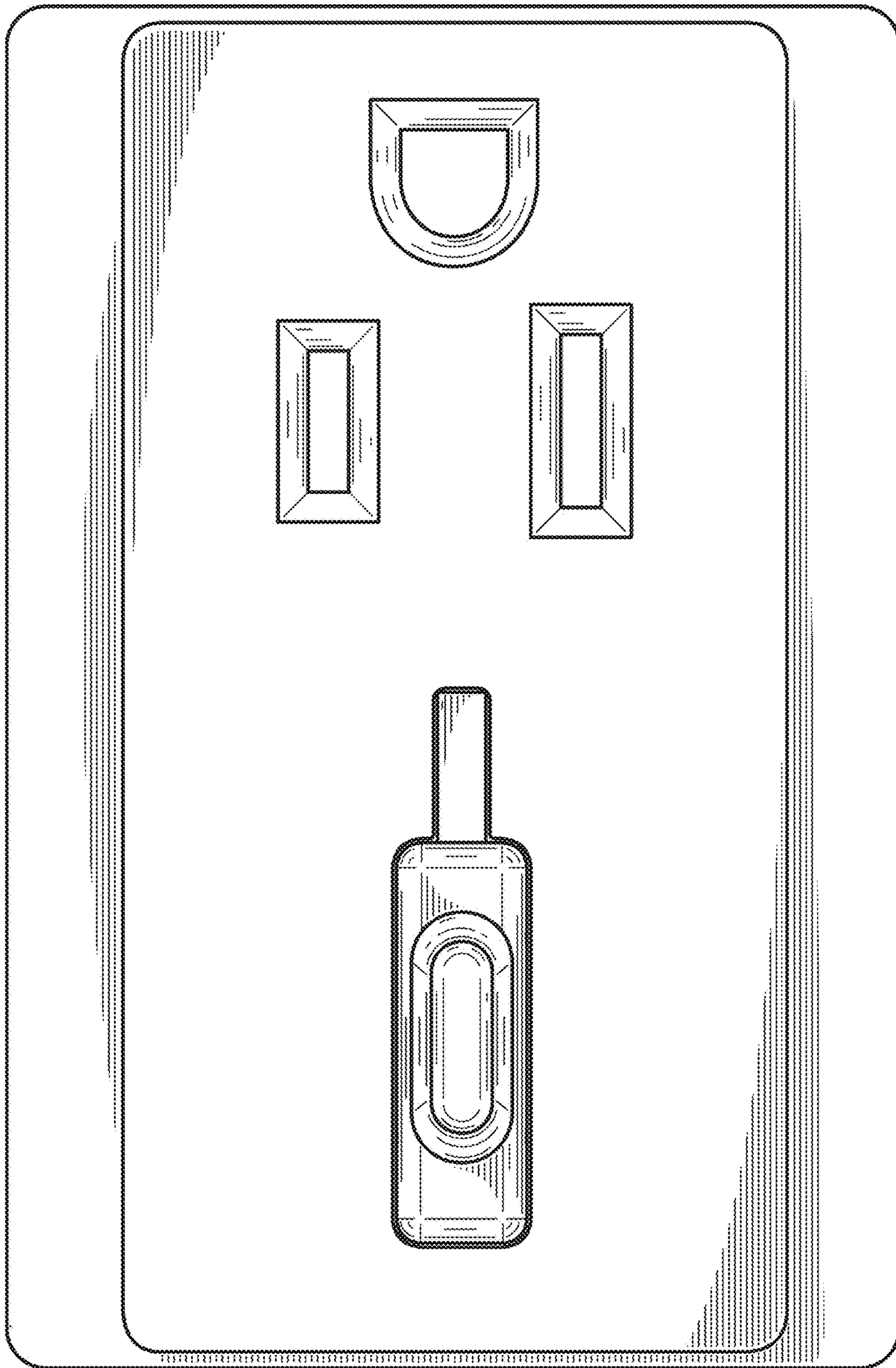


FIG. 4

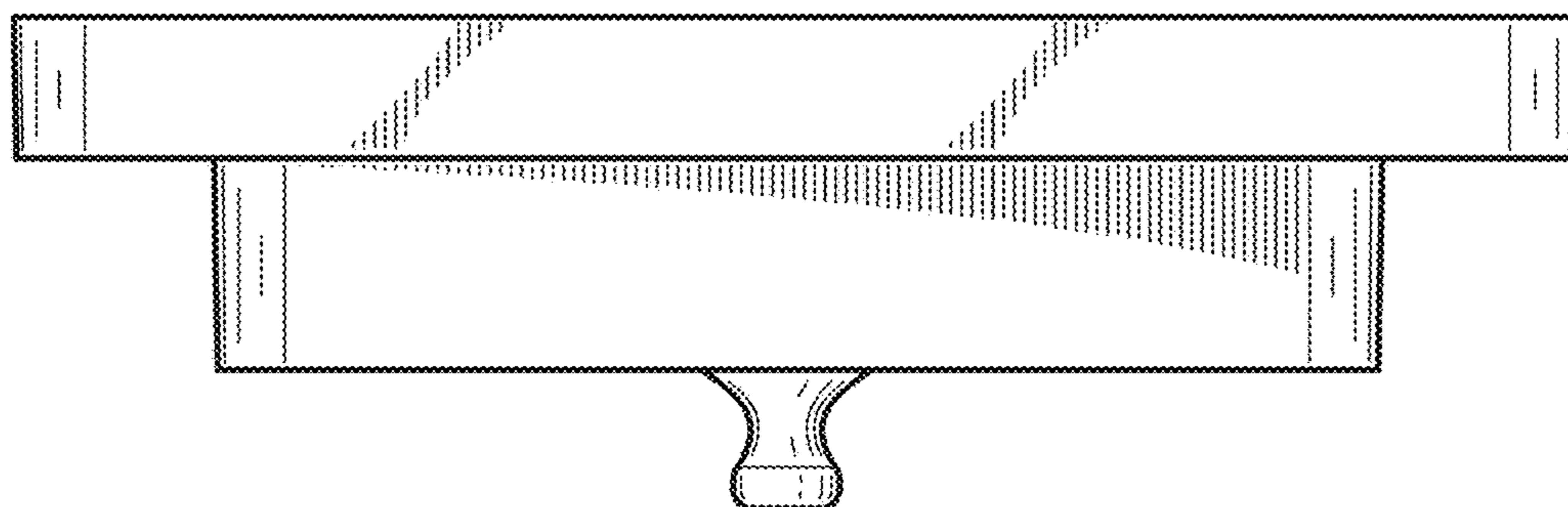


FIG. 5

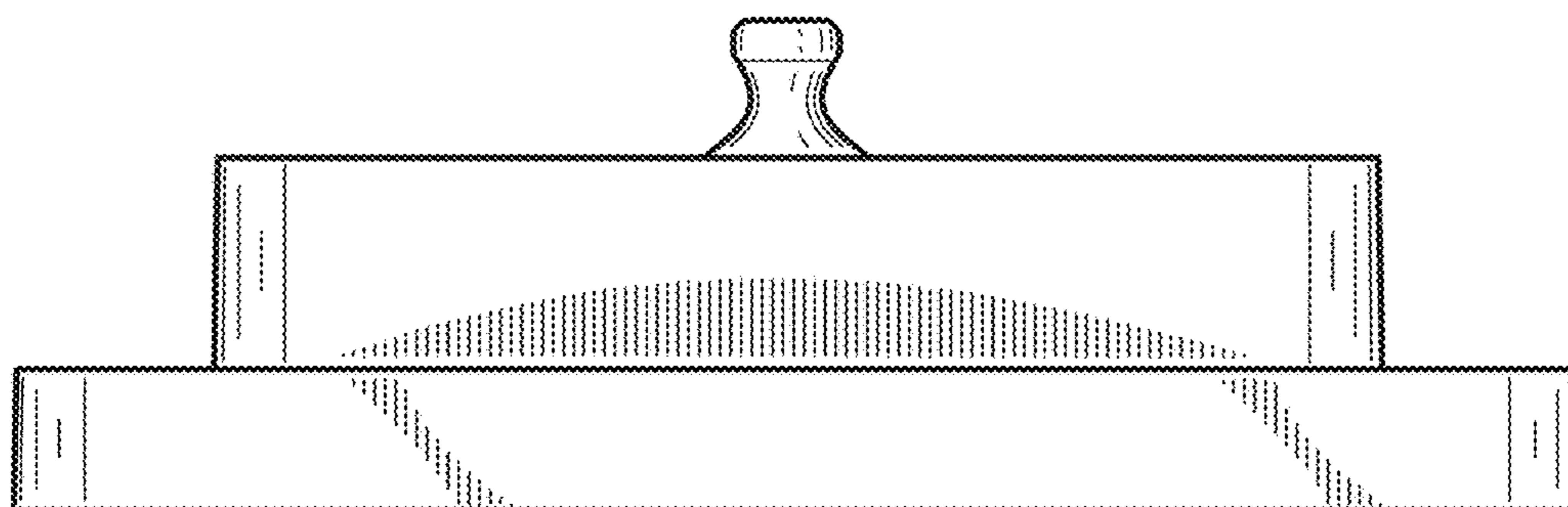


FIG. 6