



US00D833390S

(12) **United States Design Patent** (10) **Patent No.:** **US D833,390 S**  
**Gudgel et al.** (45) **Date of Patent:** **\*\* Nov. 13, 2018**

- (54) **MODULAR INVERTER SYSTEM**
- (71) Applicant: **MidNite Solar, Inc.**, Arlington, WA (US)
- (72) Inventors: **Robin Wayne Gudgel**, Arlington, WA (US); **Robert Anthony Quarterman**, Granite Falls, WA (US)
- (73) Assignee: **Midnite Solar, Inc.**, Arlington, WA (US)
- (\*\*) Term: **15 Years**
- (21) Appl. No.: **29/577,474**
- (22) Filed: **Sep. 13, 2016**
- (51) **LOC (11) Cl.** ..... **13-02**
- (52) **U.S. Cl.**  
USPC ..... **D13/110**
- (58) **Field of Classification Search**  
USPC ..... D13/110, 147, 112, 107; 710/107; 439/281  
CPC . H02M 7/003; H04L 12/40019; H01R 13/562  
See application file for complete search history.

- 2004/0239188 A1\* 12/2004 Bohl ..... H02J 1/108 307/24
- 2011/0069451 A1\* 3/2011 Hobein ..... H02M 7/003 361/695
- 2017/0155336 A1\* 6/2017 Yamazawa ..... H02M 7/003

**OTHER PUBLICATIONS**

Solar Power System posted by altE posted date Sep. 19, 2016, © YouTube, [online], [https://www.youtube.com/watch?v=oNQ\\_V7L8GiM&t=40s](https://www.youtube.com/watch?v=oNQ_V7L8GiM&t=40s) (Year: 2016).\*

MNB17-5 posted by MidNite Solar Inc posted date unknown, © MidNiteSolar.com, [online], [http://www.midnitesolar.com/pdfs/mnb17\\_frontBack.pdf](http://www.midnitesolar.com/pdfs/mnb17_frontBack.pdf) (Year: 2017).\*

\* cited by examiner

*Primary Examiner* — Cynthia Ramirez

*Assistant Examiner* — Laura H Yu

(74) *Attorney, Agent, or Firm* — FisherBroyles, LLP

(57) **CLAIM**

The ornamental design for a modular inverter system, as shown and described.

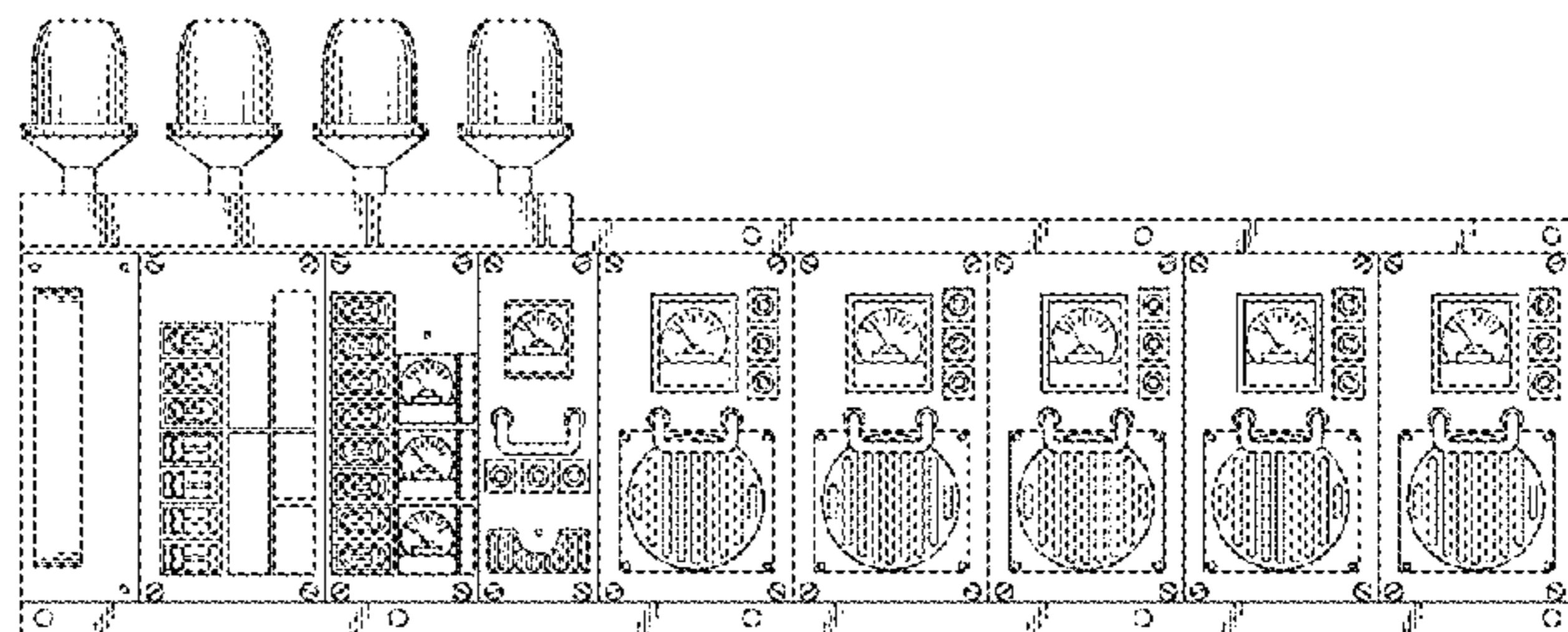
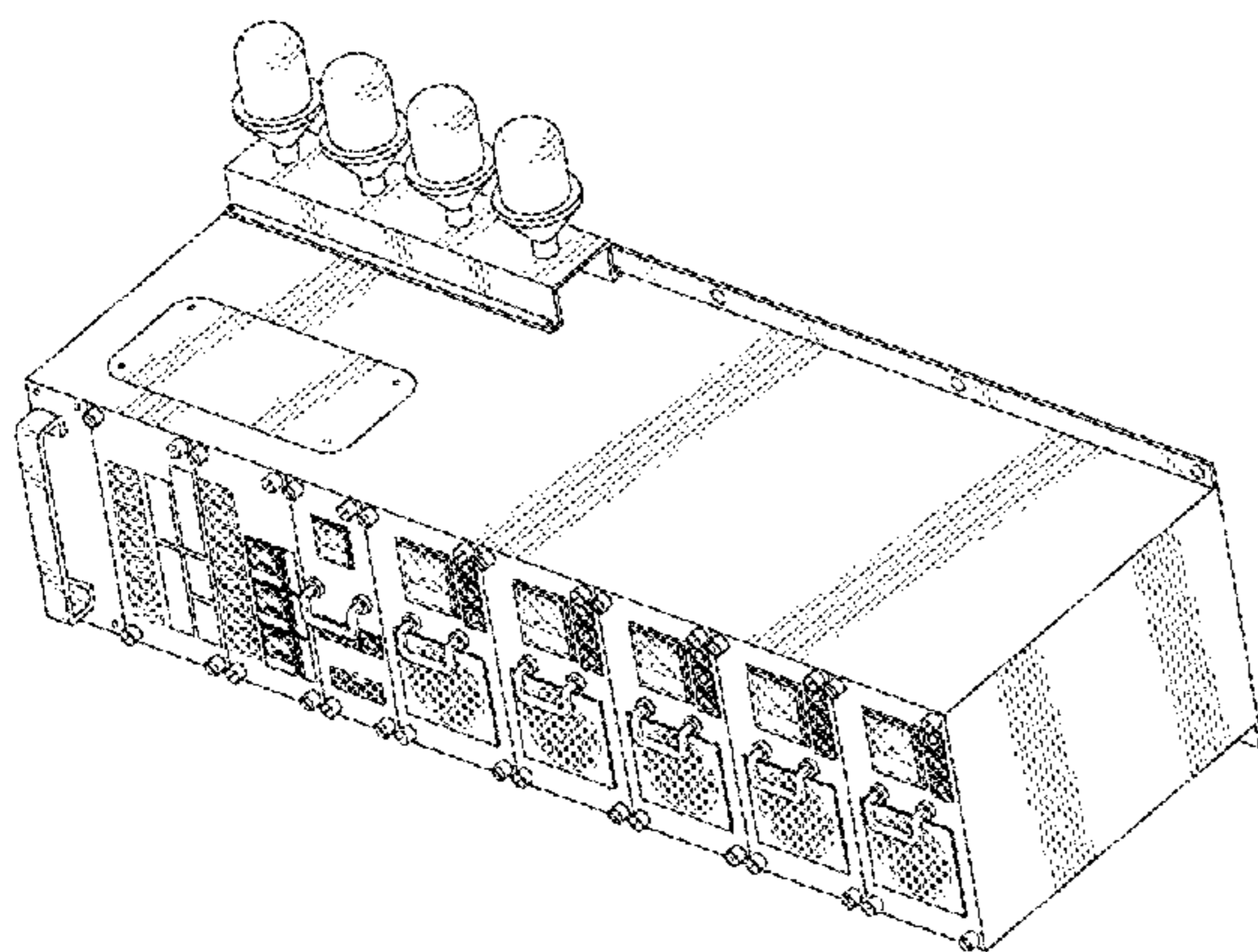
**DESCRIPTION**

FIG. 1 is an isometric view of the modular inverter system;  
 FIG. 2 is a top view thereof;  
 FIG. 3 is a bottom view thereof;  
 FIG. 4 is a front view thereof;  
 FIG. 5 is a back front view thereof;  
 FIG. 6 is a right side view thereof; and,  
 FIG. 7 is a left side view thereof.

**1 Claim, 6 Drawing Sheets**

(56) **References Cited**  
 U.S. PATENT DOCUMENTS

D503,379 S *	3/2005	Gheno	.....	D13/110
D562,234 S *	2/2008	Morihara	.....	D13/110
D682,207 S *	5/2013	Nakahira	.....	D13/110
D684,534 S *	6/2013	Nakahira	.....	D13/110
D788,702 S *	6/2017	Jo	.....	D13/110
D790,462 S *	6/2017	Yanagimoto	.....	D13/110



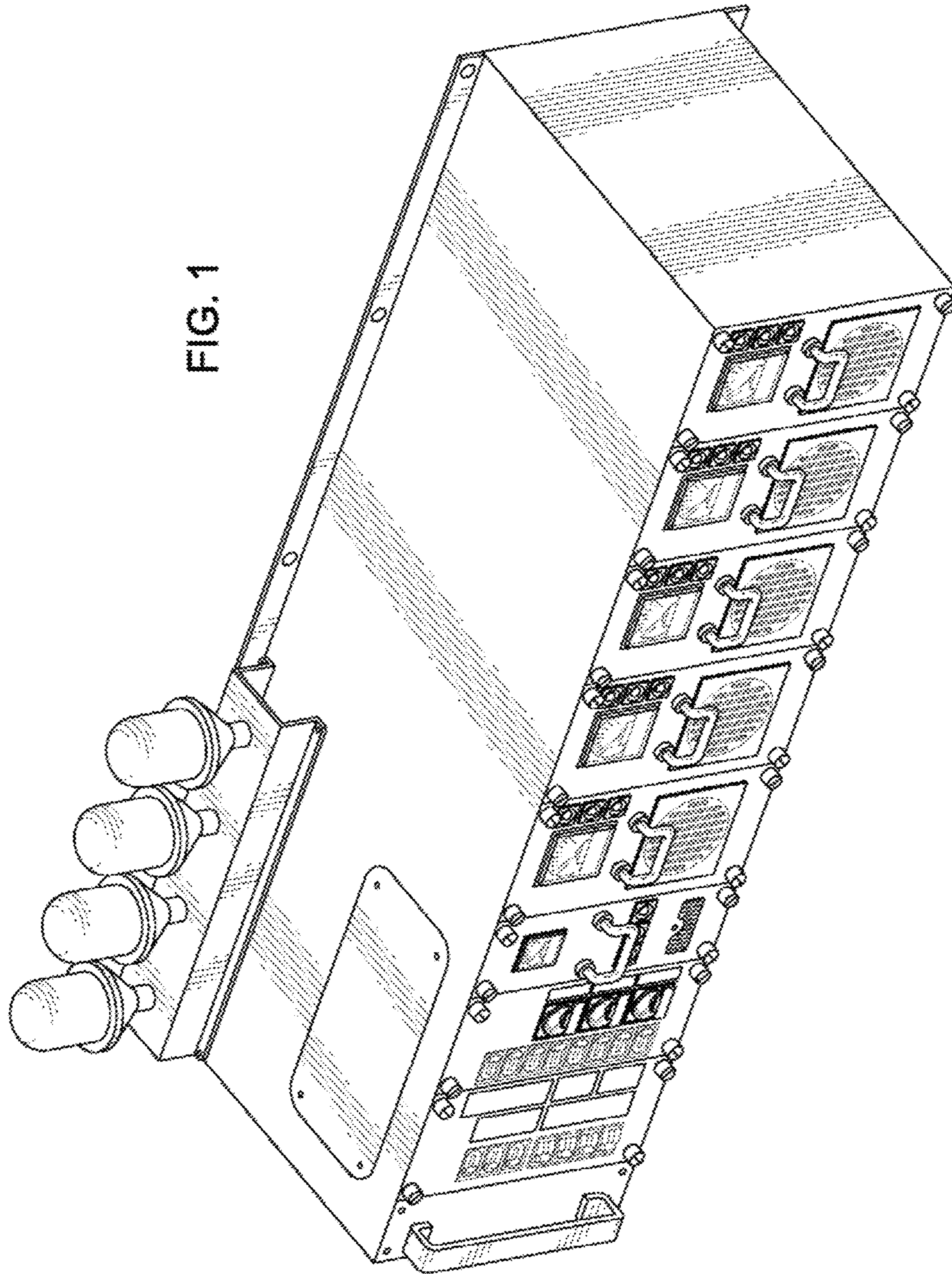


FIG. 1

FIG. 2

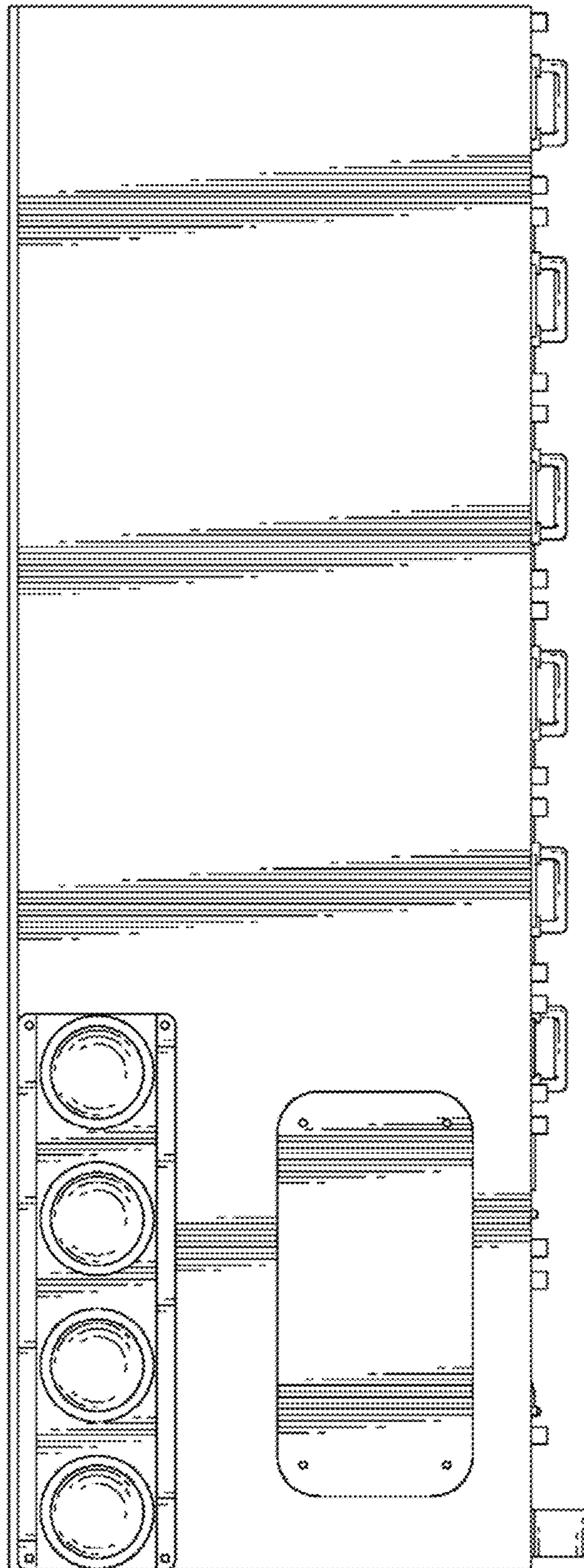


FIG. 3

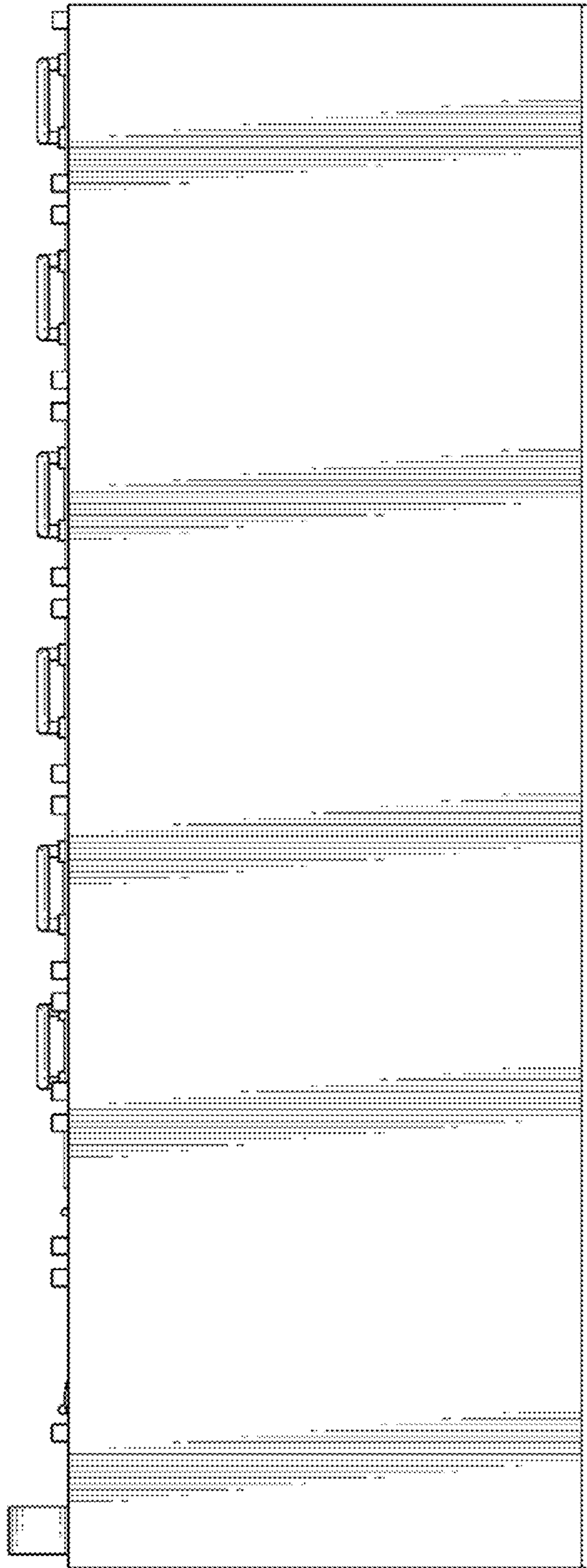
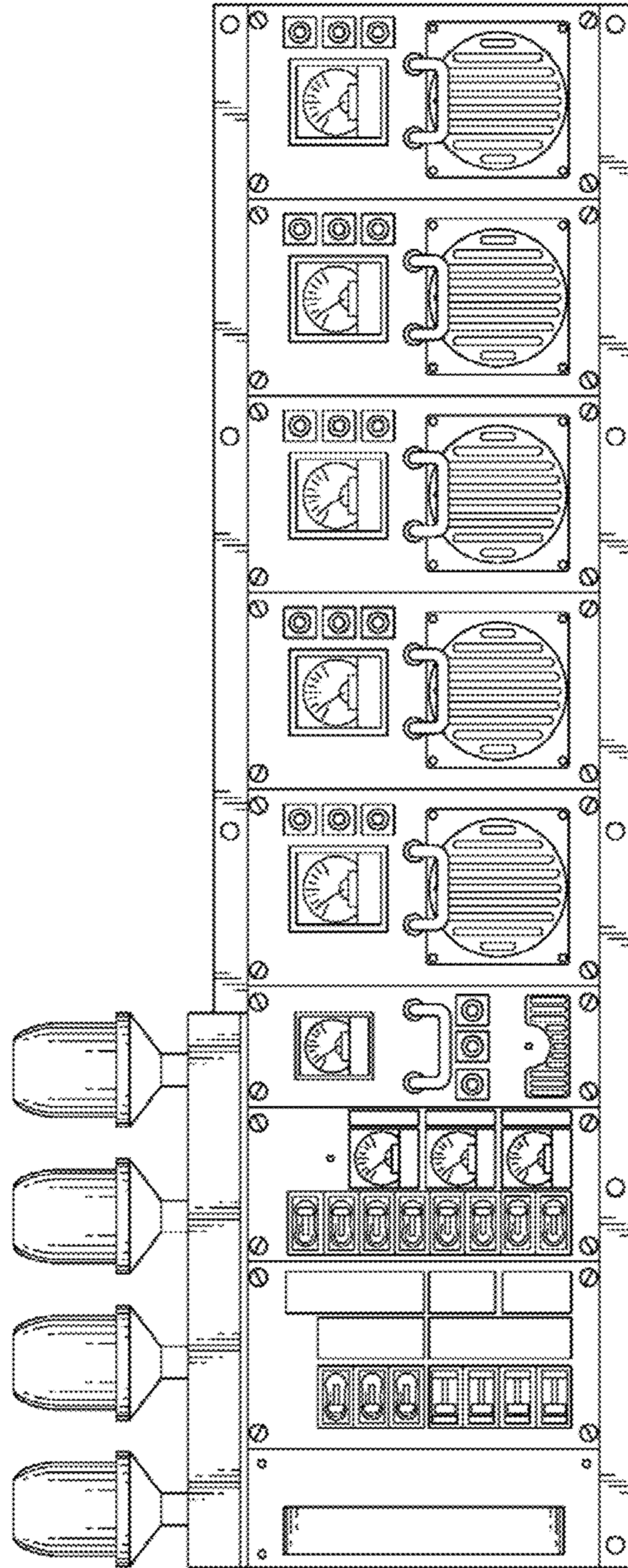


FIG. 4



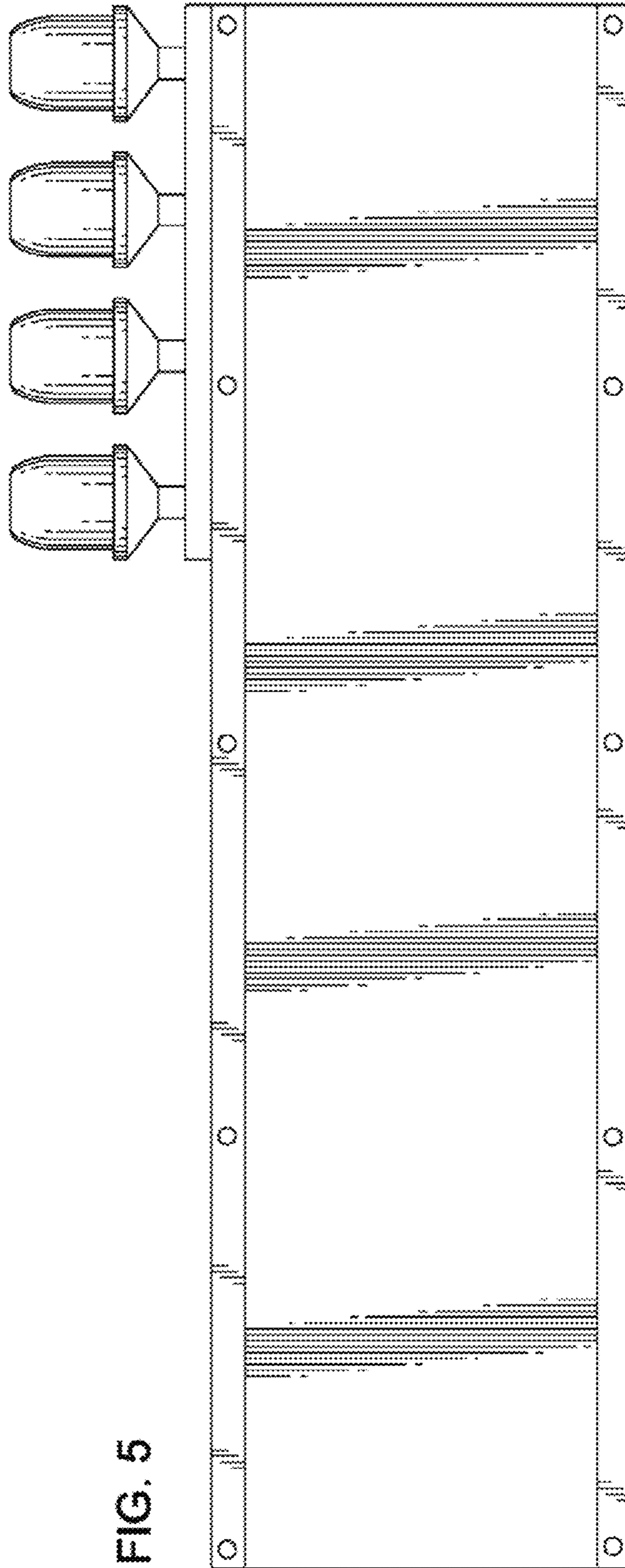


FIG. 5

FIG. 6

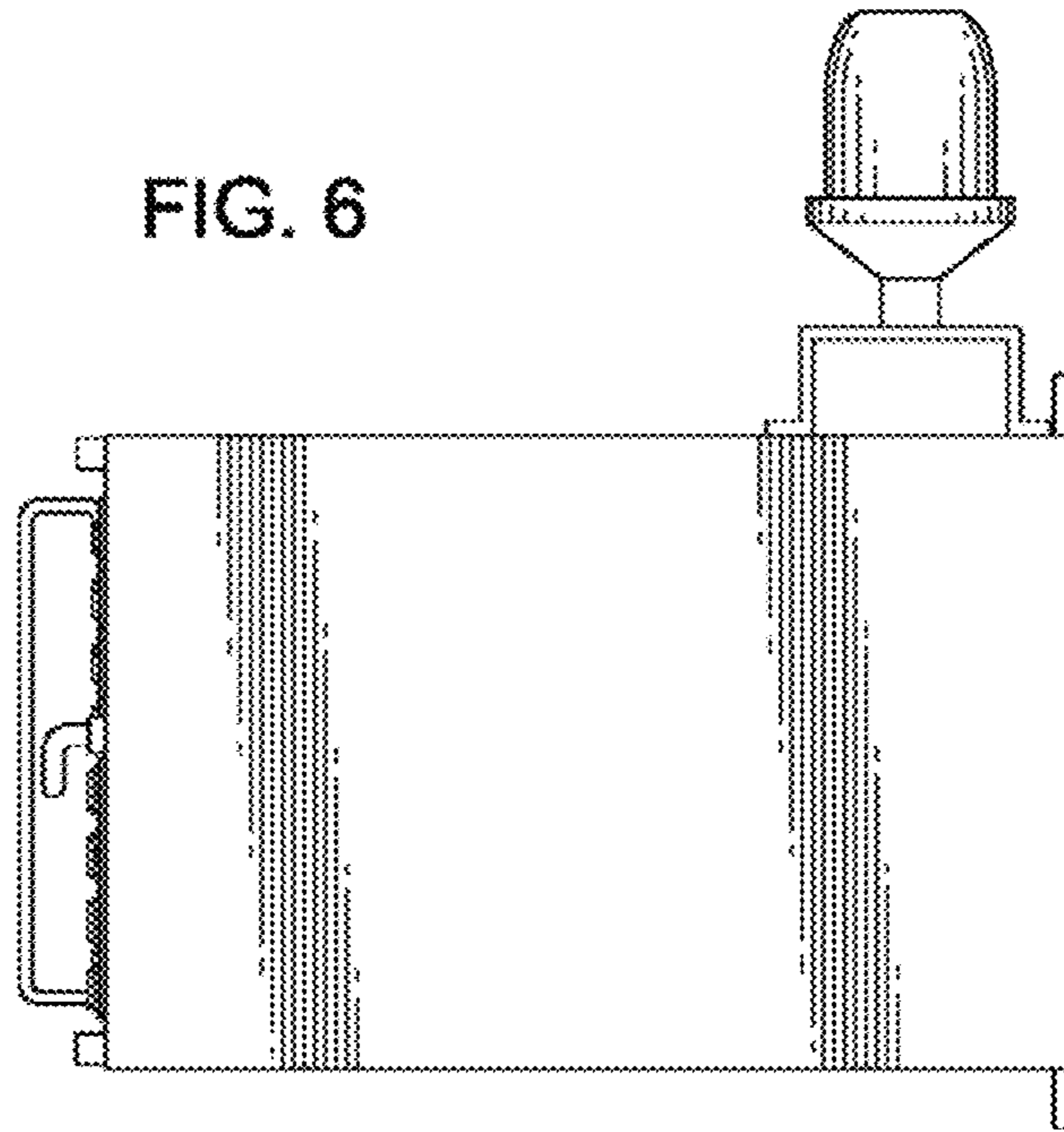


FIG. 7

