



US00D833389S

(12) **United States Design Patent** (10) **Patent No.:** **US D833,389 S**
Dunham et al. (45) **Date of Patent:** **** Nov. 13, 2018**

(54) **CHARGER FOR A VIDEO GAME CONTROLLER**
(71) Applicant: **Performance Designed Products LLC**,
Burbank, CA (US)
(72) Inventors: **Jacob Eliades Dunham**, Oceanside,
CA (US); **Bradley M. Strahle**,
Crestline, CA (US); **Christopher**
Michael Mancini, Los Angeles, CA
(US)
(73) Assignee: **Performance Designed Products LLC**,
Burbank, CA (US)
(**) Term: **15 Years**
(21) Appl. No.: **29/638,297**
(22) Filed: **Feb. 26, 2018**
(51) **LOC (11) Cl.** **13-02**
(52) **U.S. Cl.**
USPC **D13/108**
(58) **Field of Classification Search**
USPC D13/107-110, 118-119, 184; D14/251,
D14/253, 432, 434
CPC Y02E 60/12; Y02T 90/14; Y02T 90/122;
Y02T 90/128; Y02T 90/163; H02J 7/025;
H02J 7/0042; H02J 7/0044; H02J 7/0045;
H02J 7/0003; H01F 38/14; H01R
13/6675; H01M 2/1022; H01M 2/1055;
H01M 10/44; H01M 10/46; H01M
10/425; B60L 11/182
See application file for complete search history.

D538,740 S * 3/2007 Dunbar D13/108
D552,615 S * 10/2007 Kuroiwa D14/447
D579,408 S * 10/2008 Benyameen D13/107
D597,940 S 8/2009 Navid
D598,920 S 8/2009 Fujino
D634,271 S * 3/2011 Kessler D13/108
(Continued)

FOREIGN PATENT DOCUMENTS

CN 103328058 B 11/2015

OTHER PUBLICATIONS

Fosmon Dual Conductive Charging Station, <http://www.fosmon.com/product/dual-conductive-charging-station-xbox-one-xbox-one-x-controllers/>, copyright 2017, 4 pp.
(Continued)

Primary Examiner — Rosemary K Tarcza
Assistant Examiner — Nathaniel D. Buckner
(74) *Attorney, Agent, or Firm* — Knobbe, Martens, Olson & Bear LLP

(57) **CLAIM**

We claim the ornamental design for a charger for a video game controller, as shown and described.

DESCRIPTION

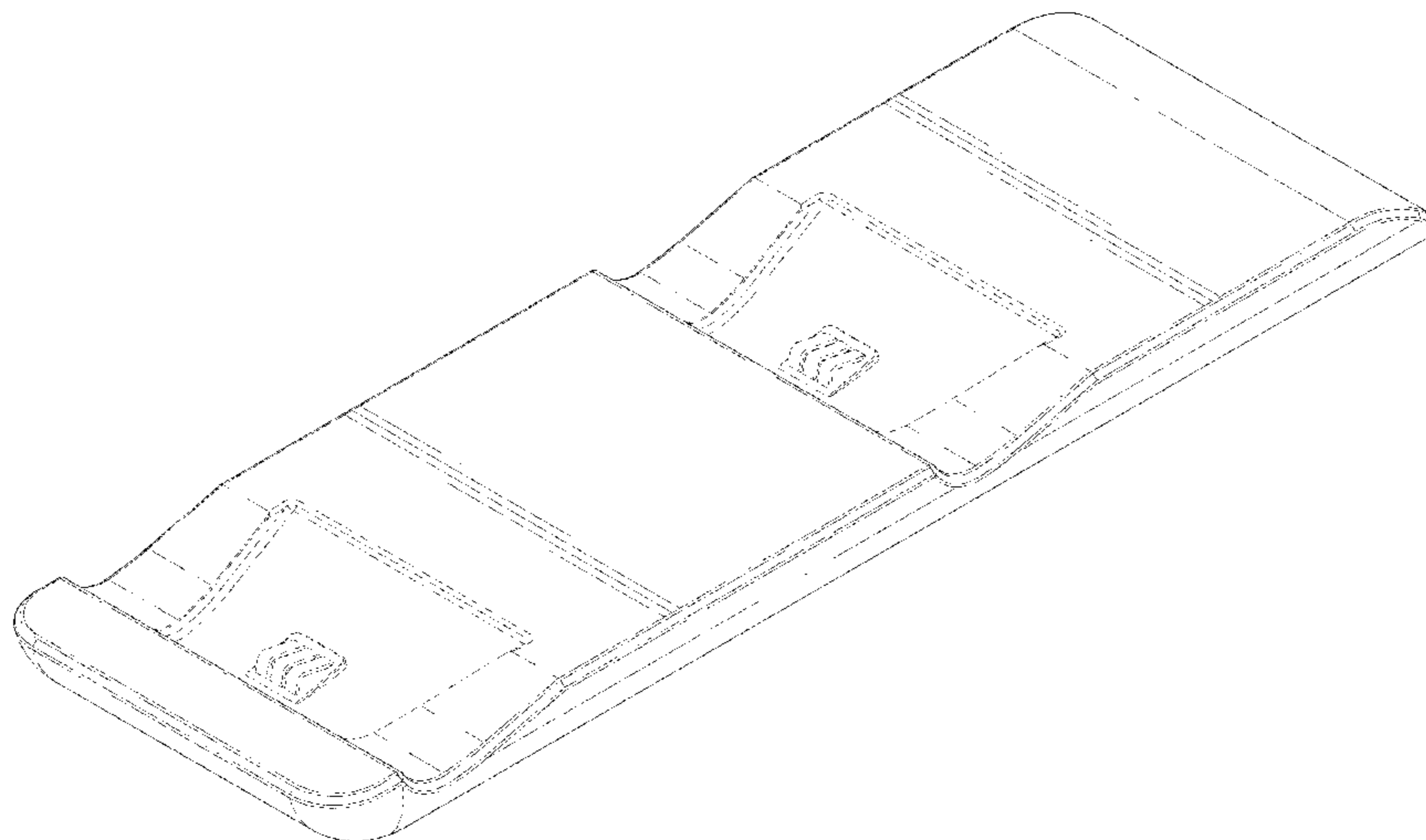
FIG. 1 is a perspective top view of a charger for a video game controller, according to one embodiment of my new design;
FIG. 2 is a rear view thereof;
FIG. 3 is a front view thereof;
FIG. 4 is a right side view thereof;
FIG. 5 is a left side view thereof;
FIG. 6 is a top view thereof; and,
FIG. 7 is a bottom view thereof.
The broken lines in the drawings illustrate features of the charger that form no part of the claimed design.

1 Claim, 7 Drawing Sheets

(56) **References Cited**

U.S. PATENT DOCUMENTS

D350,329 S * 9/1994 Lindeman D13/107
D411,989 S * 7/1999 Grossman D14/434
D476,659 S * 7/2003 Ying D14/434
D487,651 S 3/2004 Ilene
D526,995 S * 8/2006 Claxton D13/108



(56)

References Cited

U.S. PATENT DOCUMENTS

D642,521 S * 8/2011 Markowitz D13/108
D646,267 S 10/2011 Salzedo
D676,377 S 2/2013 Nokuo
D680,066 S 4/2013 Yoshiki
D704,971 S 5/2014 Eckert
D705,722 S 5/2014 Gengler
D706,556 S * 6/2014 Buller D6/672
D706,561 S * 6/2014 Buller D6/682
D712,828 S * 9/2014 Delrue D13/108
D722,649 S 2/2015 Sumii
D762,171 S 7/2016 Jung
D781,784 S * 3/2017 Dingle D13/108
9,895,606 B1 2/2018 Kamata
D813,806 S 3/2018 Ito
2009/0072784 A1 3/2009 Erickson
2016/0141901 A1 5/2016 Navid

OTHER PUBLICATIONS

Nyko Charge Base dated Jun. 12, 2013, <http://me.ign.com/xbox-one-gaming-hardware-xbox-one/68637/news/nyko-debuts-accessories-for-xbox-one-and-ps4>, 4 pp.

Sunsky Charging Dock Station, <https://www.sunsky-online.com/product/defaultview.do?subject.id=353418>, Jun. 30, 2014, 6 pp.

* cited by examiner

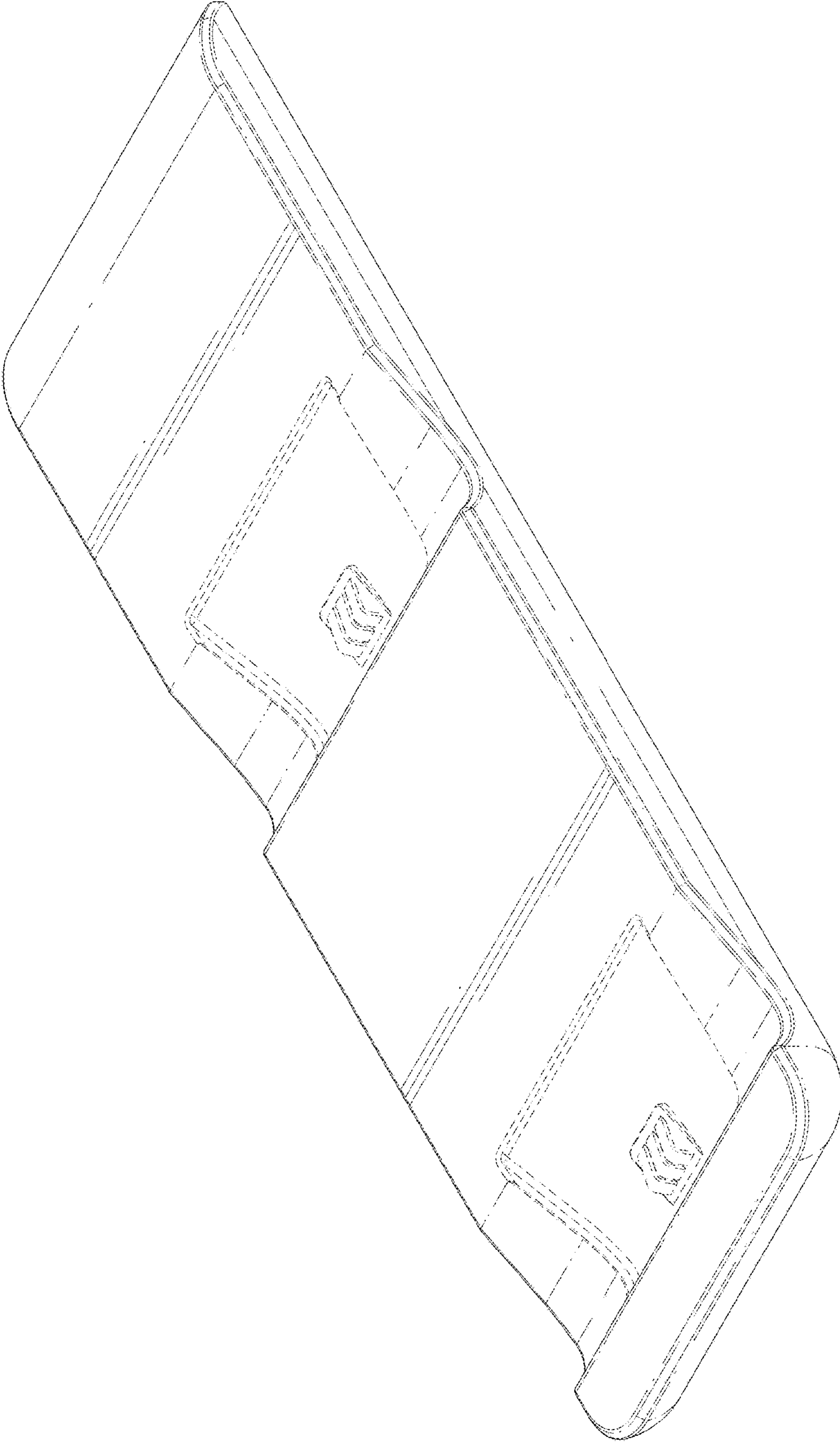


FIG. 1

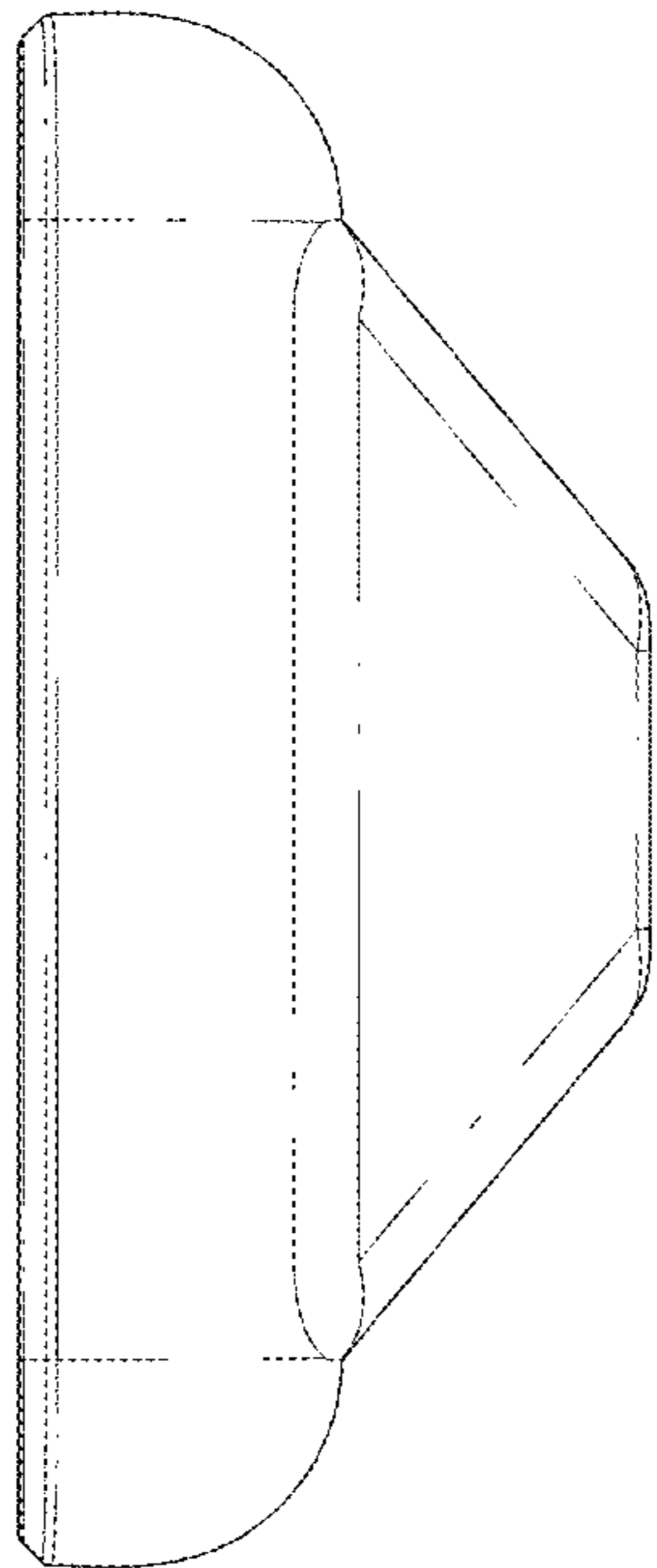


FIG. 2

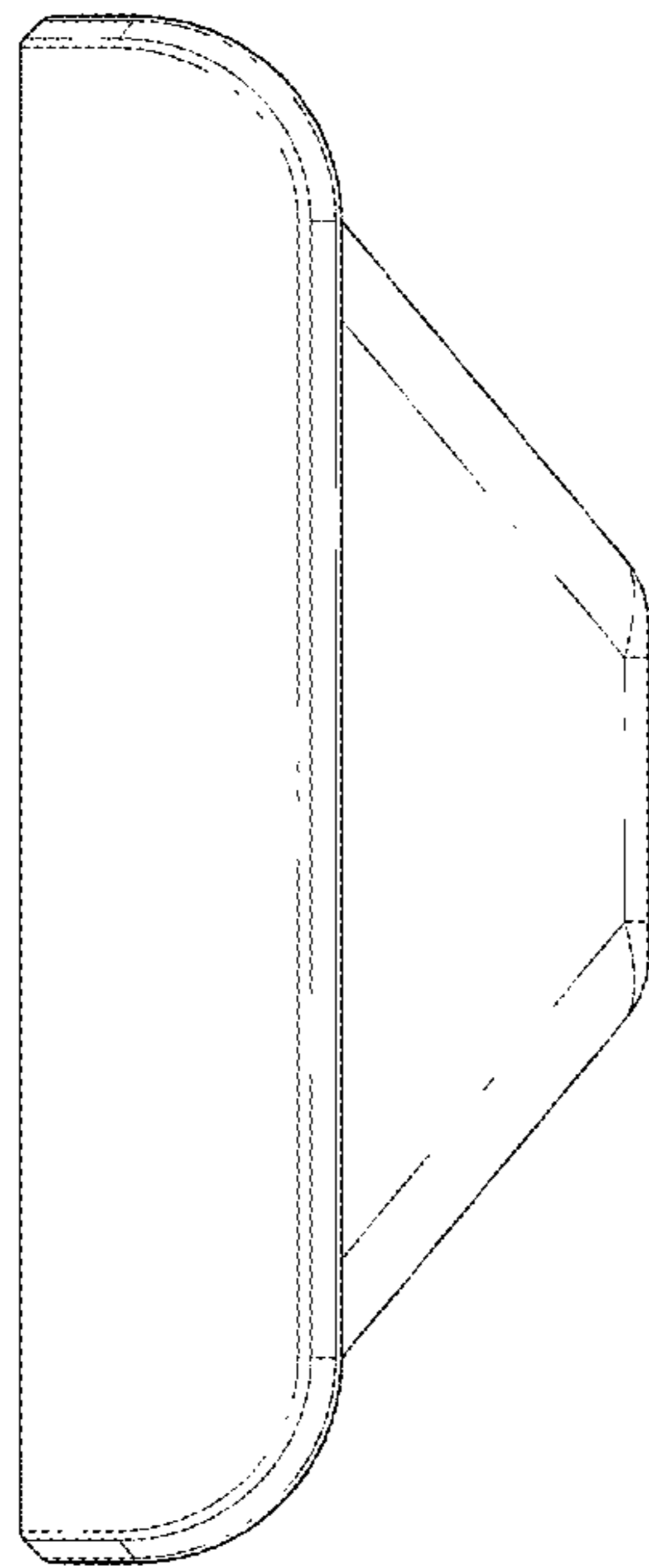


FIG. 3

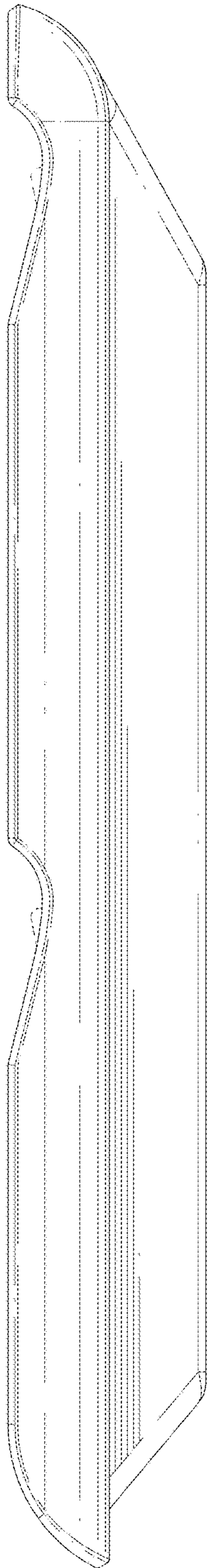


FIG. 4

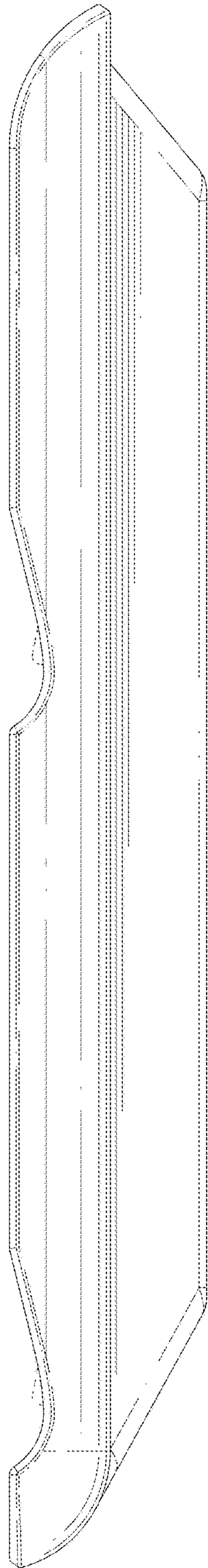


FIG. 5

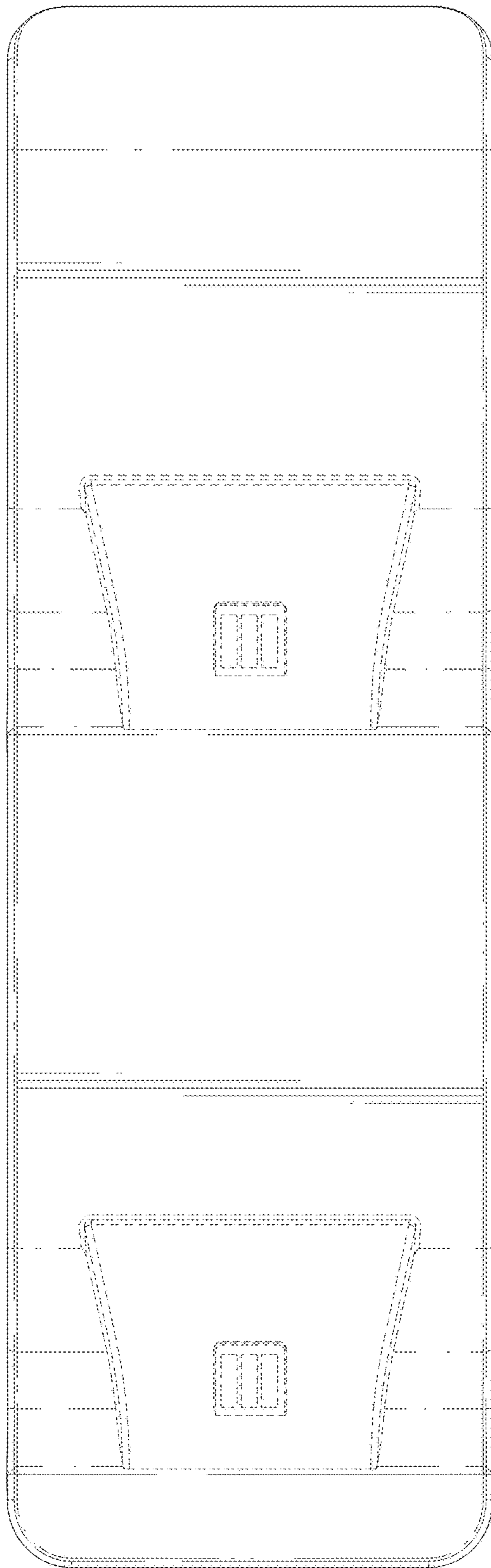


FIG. 6

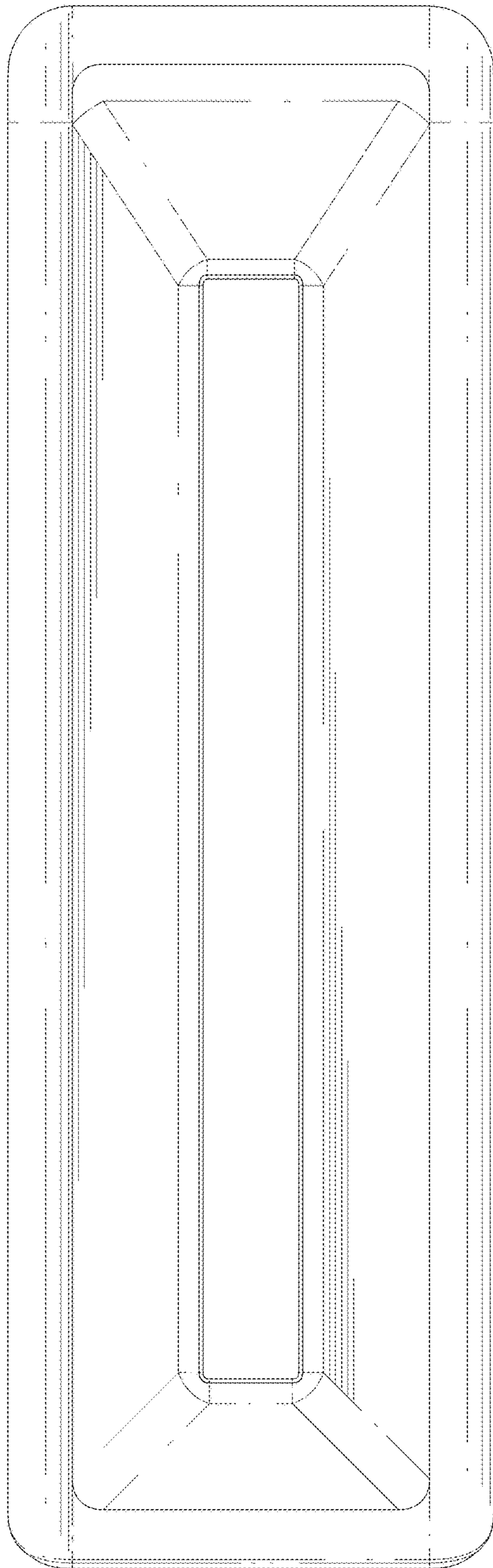


FIG. 7