



US00D833388S

(12) **United States Design Patent**
Baxter et al.

(10) **Patent No.:** **US D833,388 S**
(45) **Date of Patent:** **** Nov. 13, 2018**

(54) **MOVABLE SWING ARMS FOR AN
ELECTRIC VEHICLE CHARGING STATION**

(71) Applicant: **ChargePoint, Inc.**, Campbell, CA (US)

(72) Inventors: **David Baxter**, Monte Sereno, CA (US);
Darren Chin-Ho Kim, Oakland, CA
(US); **Peter H. Muller**, Portland, OR
(US); **Pasquale Romano**, Los Gatos,
CA (US); **Price B. Terzis**, Los Altos
Hills, CA (US)

(73) Assignee: **CHARGEPOINT, INC.**, Campbell, CA
(US)

(**) Term: **15 Years**

(21) Appl. No.: **29/589,820**

(22) Filed: **Jan. 4, 2017**

(51) **LOC (11) Cl.** **13-02**

(52) **U.S. Cl.**
USPC **D13/107**

(58) **Field of Classification Search**
USPC D13/107-110, 118-119, 184, 199;
D14/251, 253, 432, 434

(Continued)

(56) **References Cited**

U.S. PATENT DOCUMENTS

D585,367 S * 1/2009 Dunbar D13/108
D597,937 S * 8/2009 Haw D13/107

(Continued)

OTHER PUBLICATIONS

Notice of Allowance for U.S. Appl. No. 29/589,817, dated Mar. 22,
2018, 9 pages.

Primary Examiner — Rosemary K Tarcza

(74) *Attorney, Agent, or Firm* — Nicholson De Vos
Webster & Elliott LLP

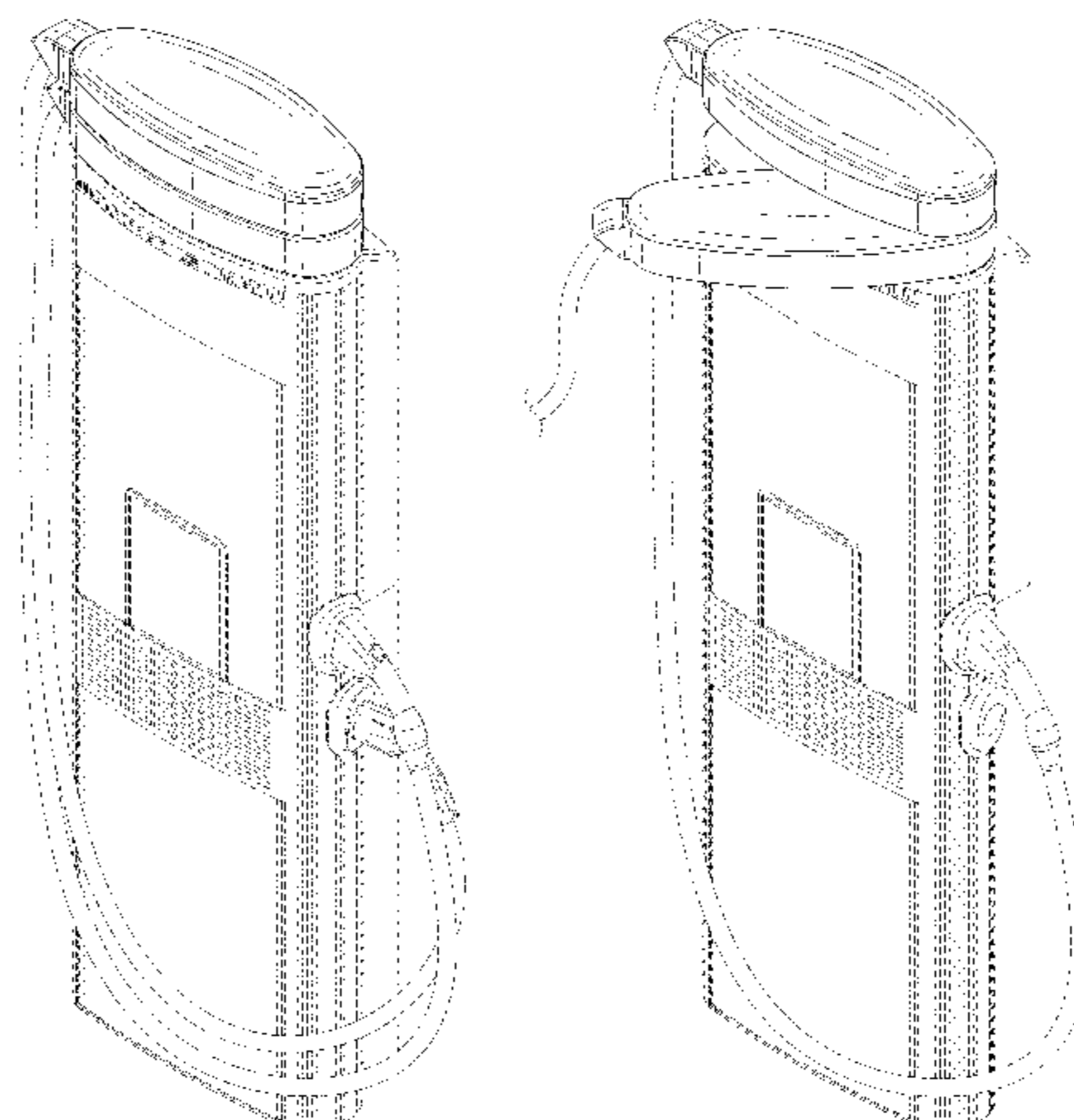
(57) **CLAIM**

The ornamental design for movable swing arms for an
electric vehicle charging station, as shown and described.

DESCRIPTION

FIG. 1 shows a front perspective view of movable swing
arms for an electric vehicle charging station;
FIG. 2 shows a front view of the movable swing arms for an
electric vehicle charging station of FIG. 1;
FIG. 3 shows a back view of the movable swing arms for an
electric vehicle charging station of FIG. 1;
FIG. 4 shows a right view of the movable swing arms for an
electric vehicle charging station of FIG. 1;
FIG. 5 shows a left view of the movable swing arms for an
electric vehicle charging station of FIG. 1;
FIG. 6 shows a top view of the movable swing arms for an
electric vehicle charging station of FIG. 1;
FIG. 7 shows a bottom view of the movable swing arms for
an electric vehicle charging station of FIG. 1;
FIG. 8 shows a rear perspective view of the movable swing
arms for an electric vehicle charging station of FIG. 1;
FIG. 9 shows a front perspective view of the movable swing
arms for an electric vehicle charging station of FIG. 1 where
the bottom movable swing arms for an electric vehicle
charging station is moved to an extended position;
FIG. 10 shows a front view of the movable swing arms for
an electric vehicle charging station of FIG. 1 where the
bottom movable swing arms for an electric vehicle charging
station is moved to the extended position shown in FIG. 9;
FIG. 11 shows a front perspective view of the movable
swing arms for an electric vehicle charging station of FIG.
1 where the top movable swing arms for an electric vehicle
charging station is moved to an extended position; and,
FIG. 12 shows a front view of the movable swing arms for
an electric vehicle charging station of FIG. 1 where the top
movable swing arms for an electric vehicle charging station
is moved to the extended position shown in FIG. 11.
The broken lines illustrate environmental structure and form
no part of the claimed design.

1 Claim, 10 Drawing Sheets



(58) **Field of Classification Search**

CPC Y02E 60/12; Y02T 90/14; Y02T 90/122;
 Y02T 90/128; Y02T 90/163; H02J 7/025;
 H02J 7/0042; H02J 7/0044; H02J 7/0045;
 H02J 7/0003; H01F 38/14; H01R
 13/6675; H01M 2/1022; H01M 2/1055;
 H01M 10/44; H01M 10/46; H01M
 10/425; B60L 11/182

See application file for complete search history.

(56) **References Cited**

U.S. PATENT DOCUMENTS

D613,683	S	*	4/2010	Baxter	D13/107
D626,064	S		10/2010	Cutter et al.		
D626,065	S		10/2010	Cutter et al.		
D652,792	S	*	1/2012	Budike, Jr.	D13/107
D662,045	S	*	6/2012	Gotou	D13/107
D665,734	S	*	8/2012	Fitch	D13/107
D672,714	S		12/2012	Brandys et al.		
D674,334	S		1/2013	Cutter et al.		
D674,335	S		1/2013	Yamashita et al.		
D676,376	S		2/2013	Yamada et al.		
D683,306	S		5/2013	Lecoanet et al.		
D711,315	S	*	8/2014	Chin-Ho Kim	D13/107
D720,285	S	*	12/2014	Gilomen	D13/107
D730,821	S	*	6/2015	Chin-Ho Kim	D13/107
D730,822	S	*	6/2015	Chin-Ho Kim	D13/107
D731,414	S	*	6/2015	Chin-Ho Kim	D13/107
D733,647	S	*	7/2015	Farrell	D13/107
D735,660	S	*	8/2015	Ferguson	D13/107
D749,503	S	*	2/2016	Ferguson	D13/107
D778,818	S		2/2017	Bruining		
D800,652	S	*	10/2017	Yang	D13/107

* cited by examiner

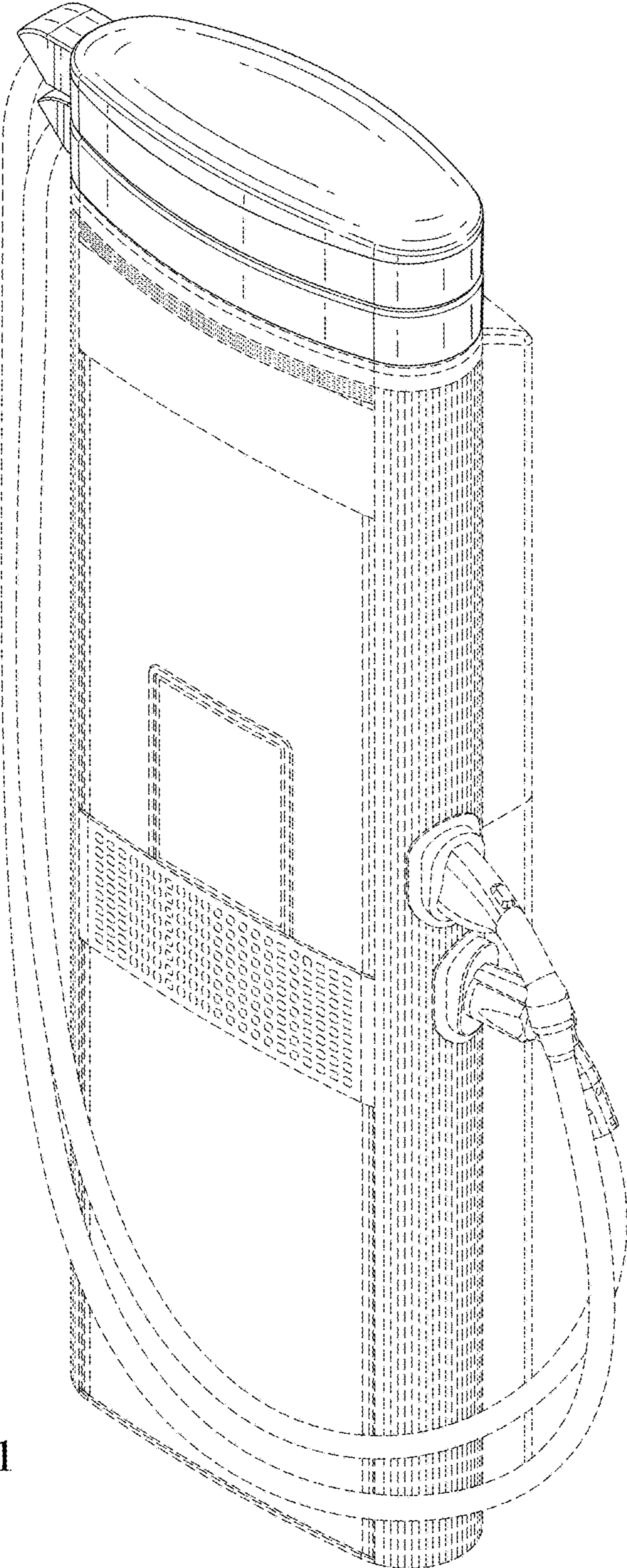


FIG. 1

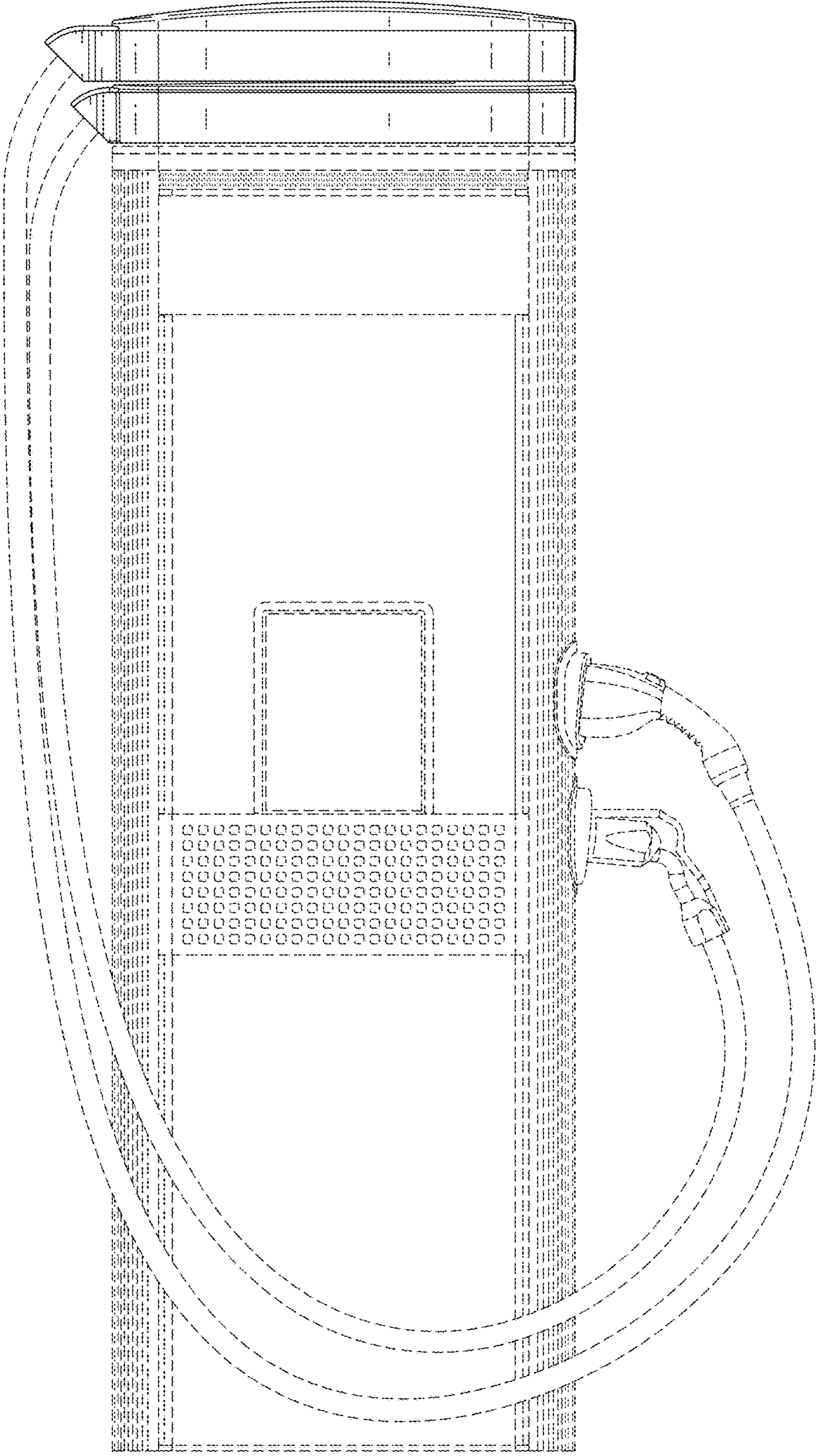


FIG. 2

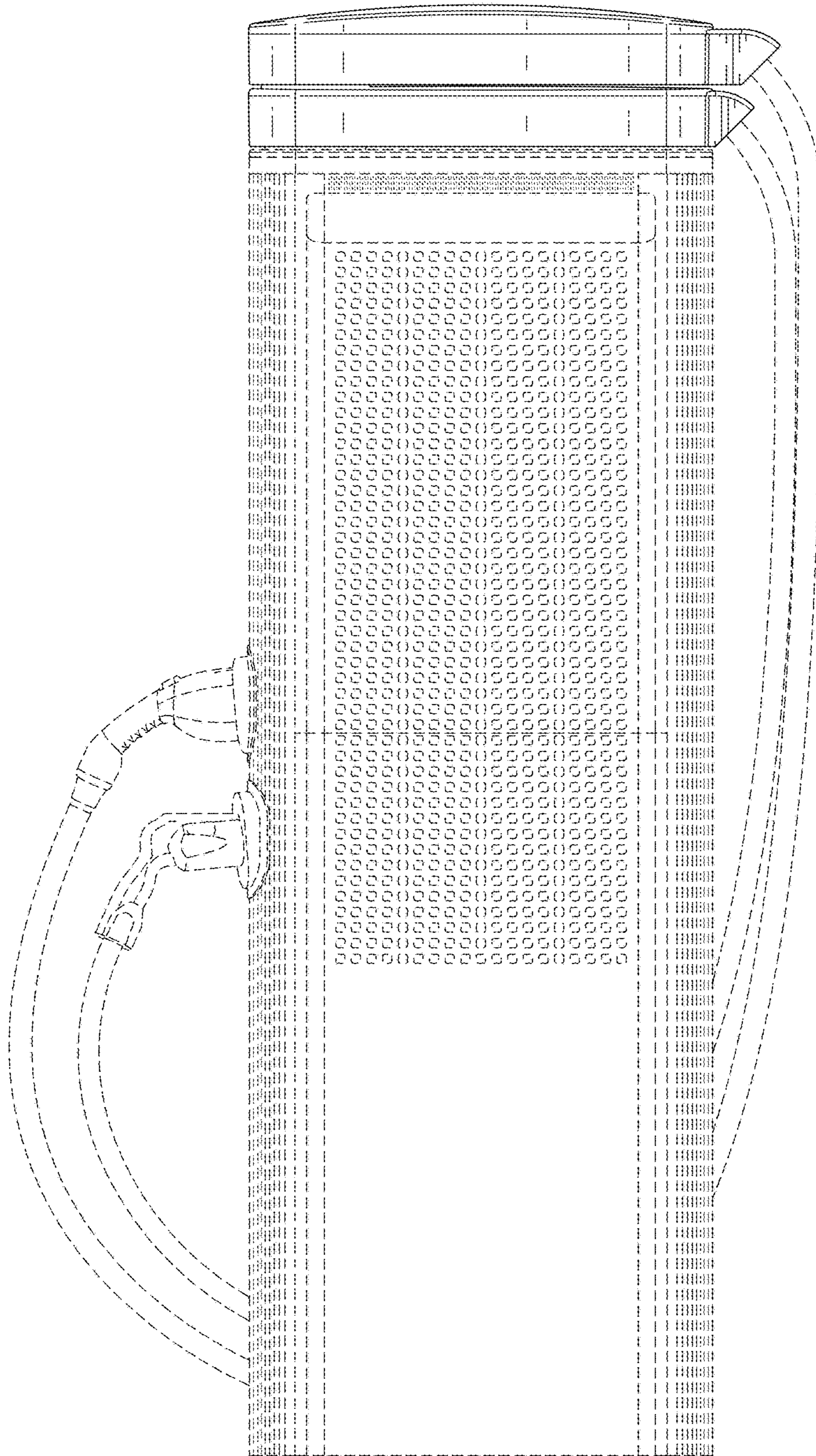


FIG. 3

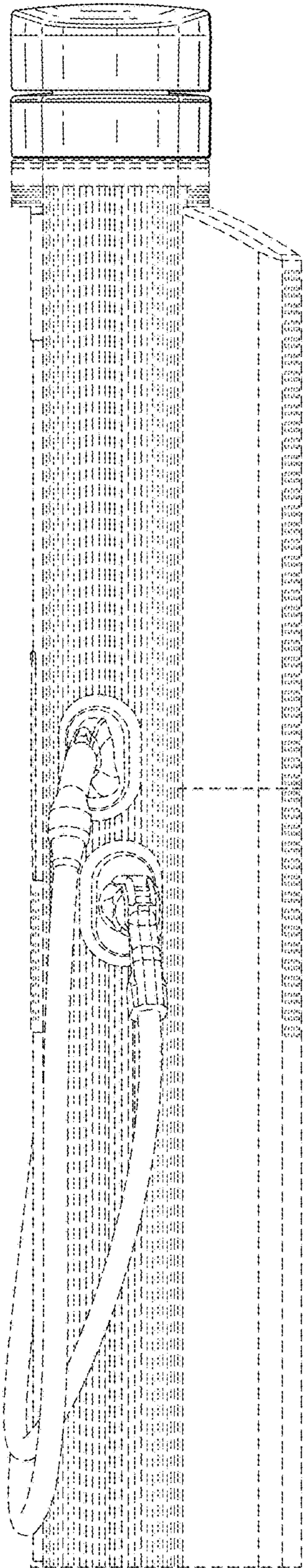


FIG. 4

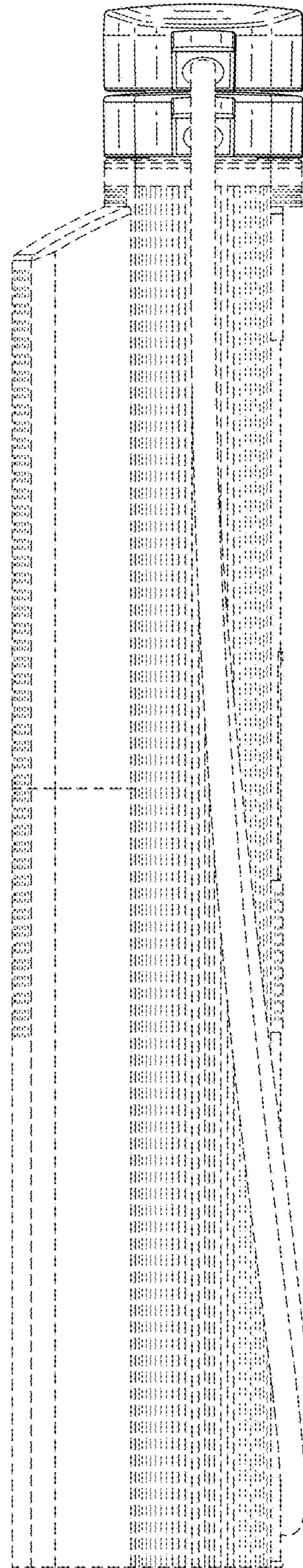


FIG. 5

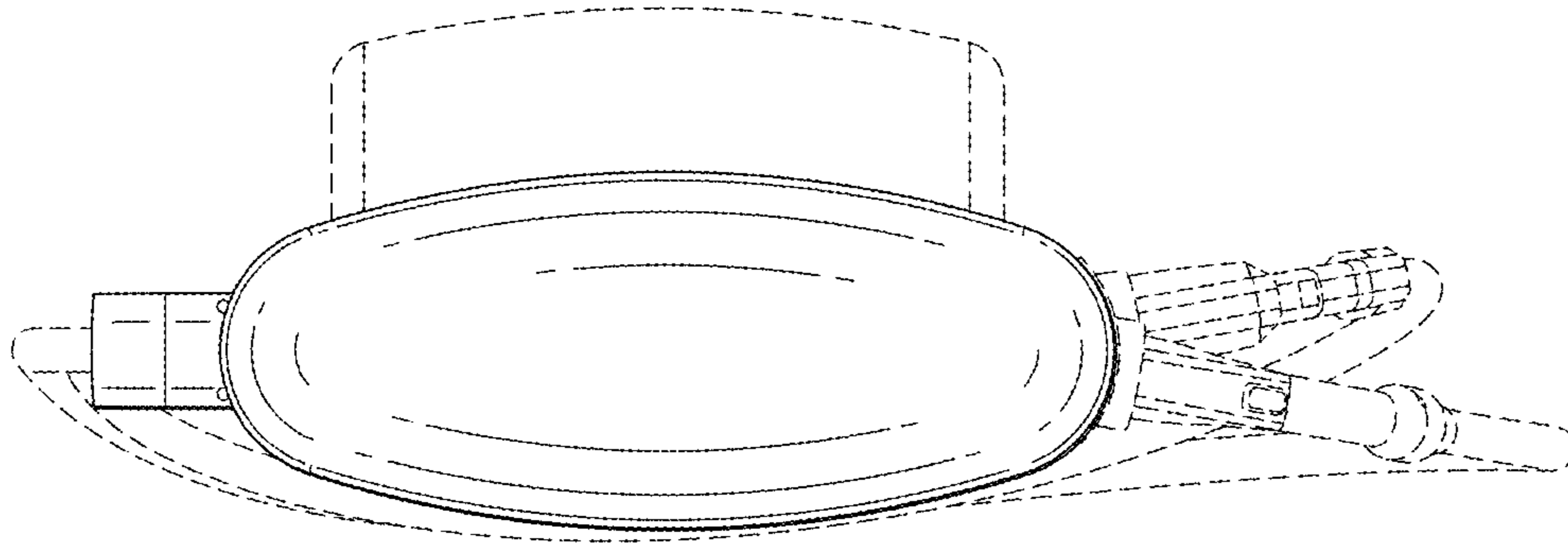


FIG. 6

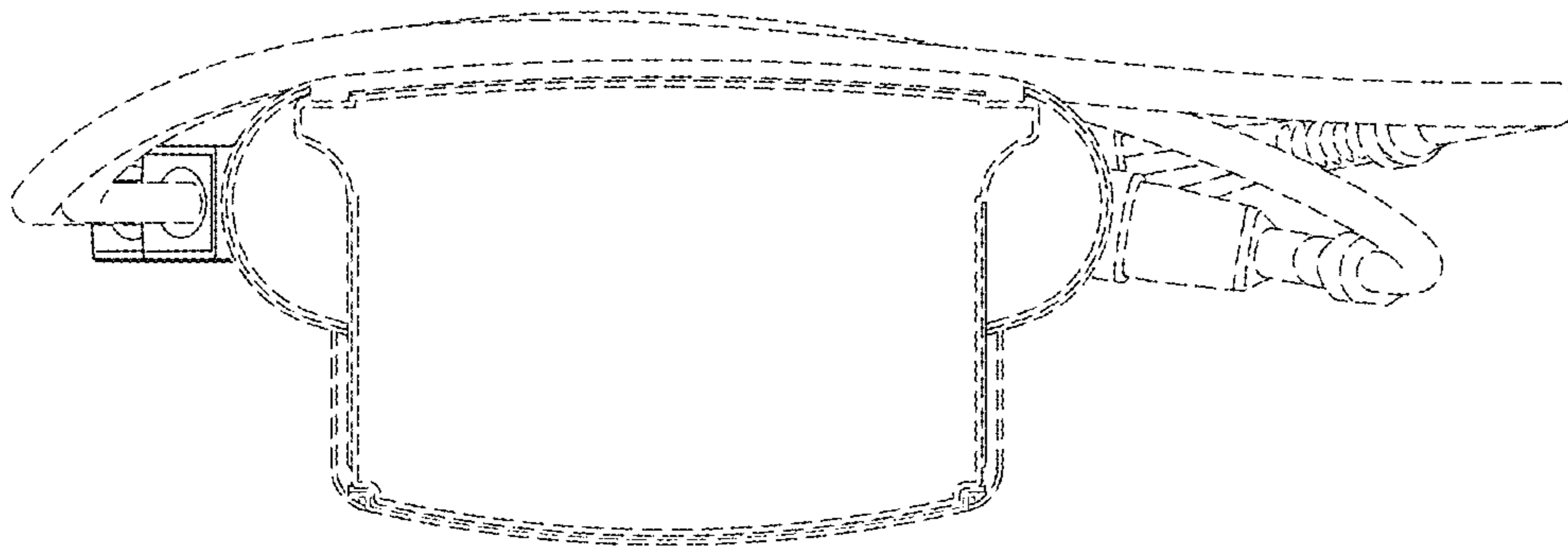
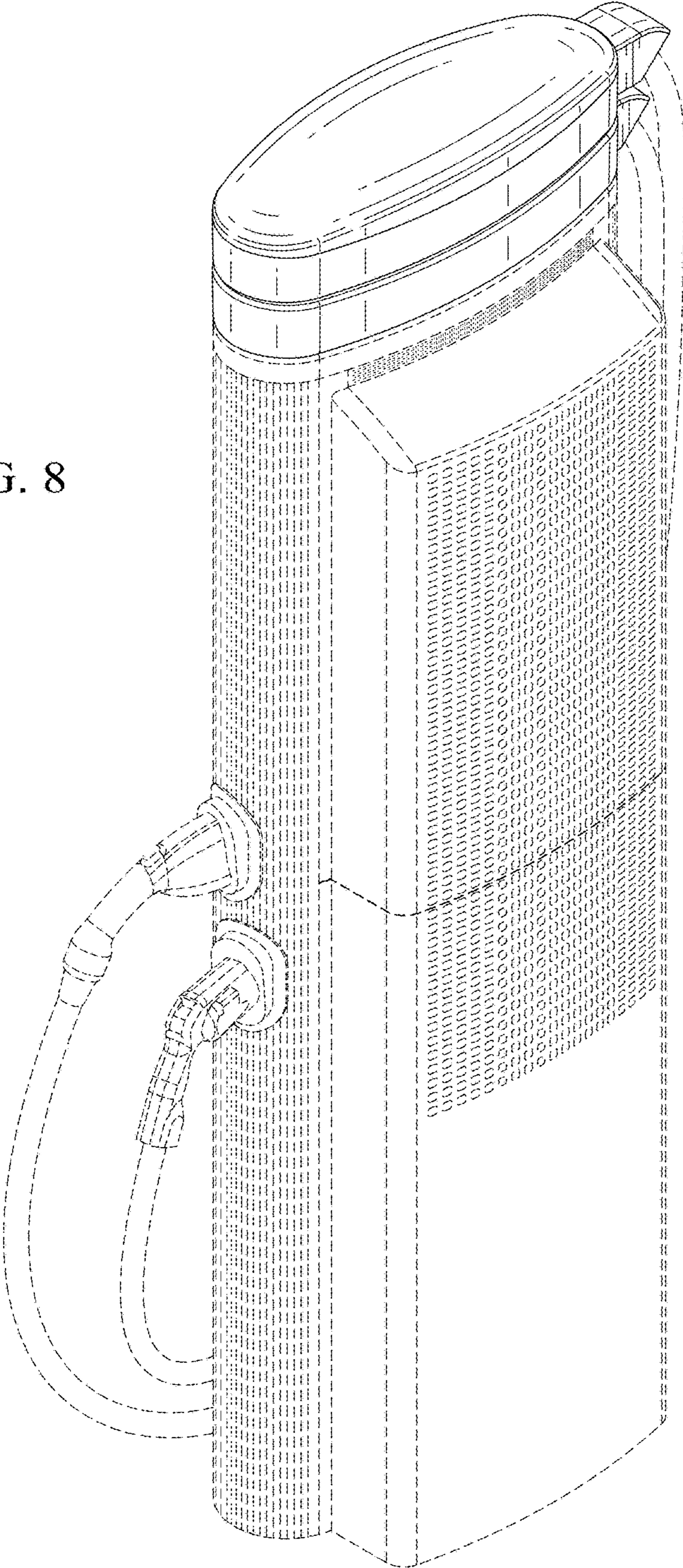


FIG. 7

FIG. 8



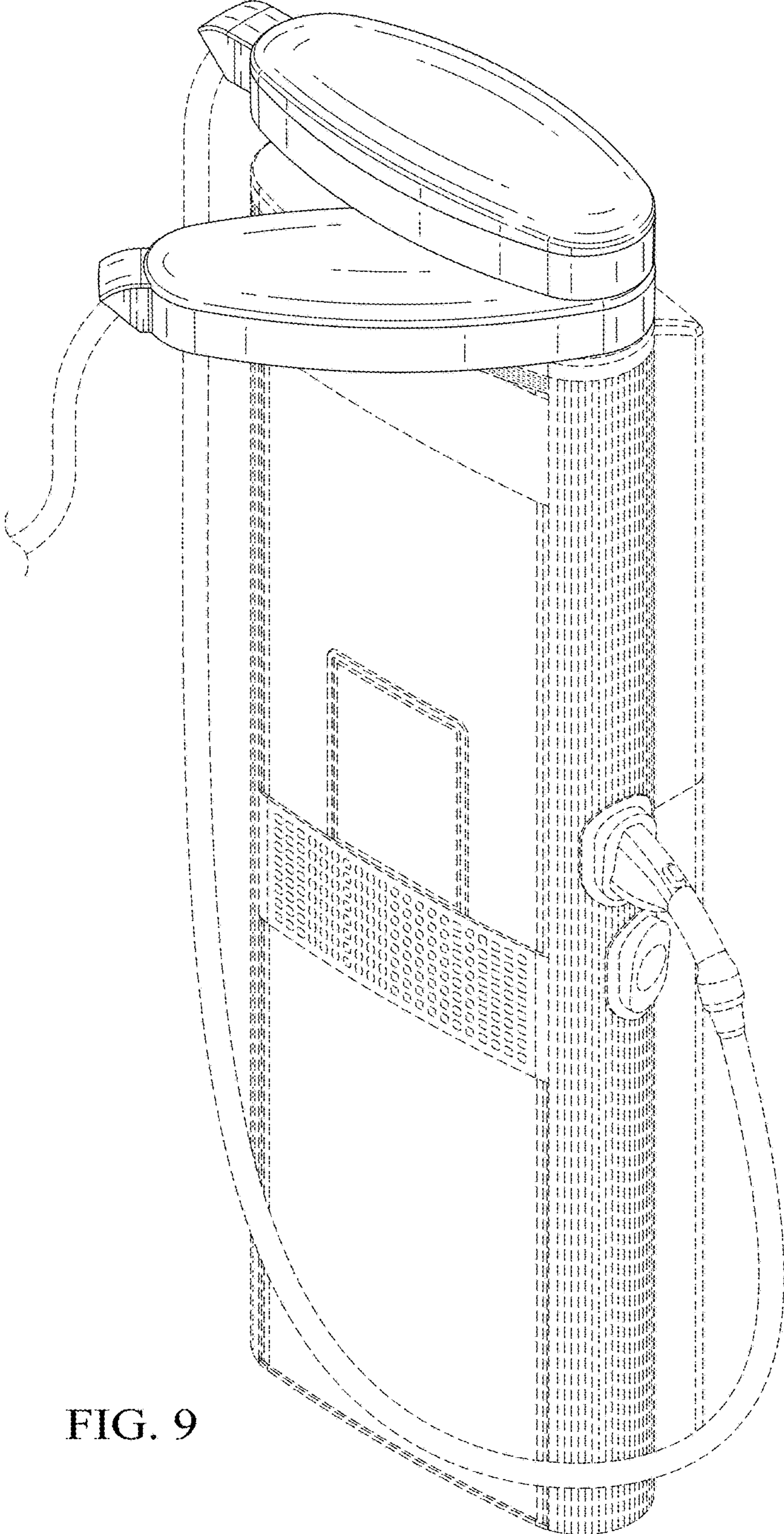


FIG. 9

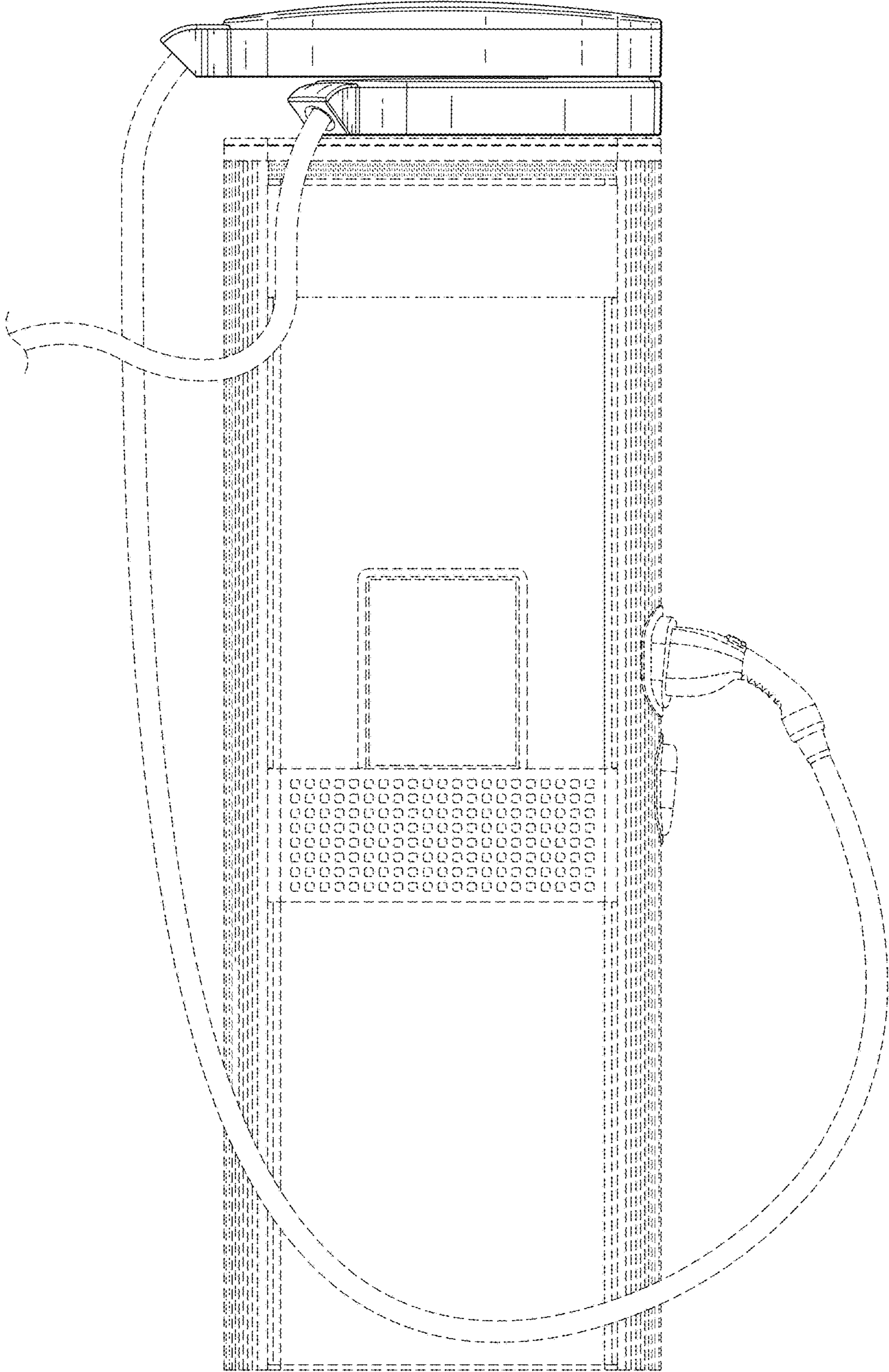


FIG. 10

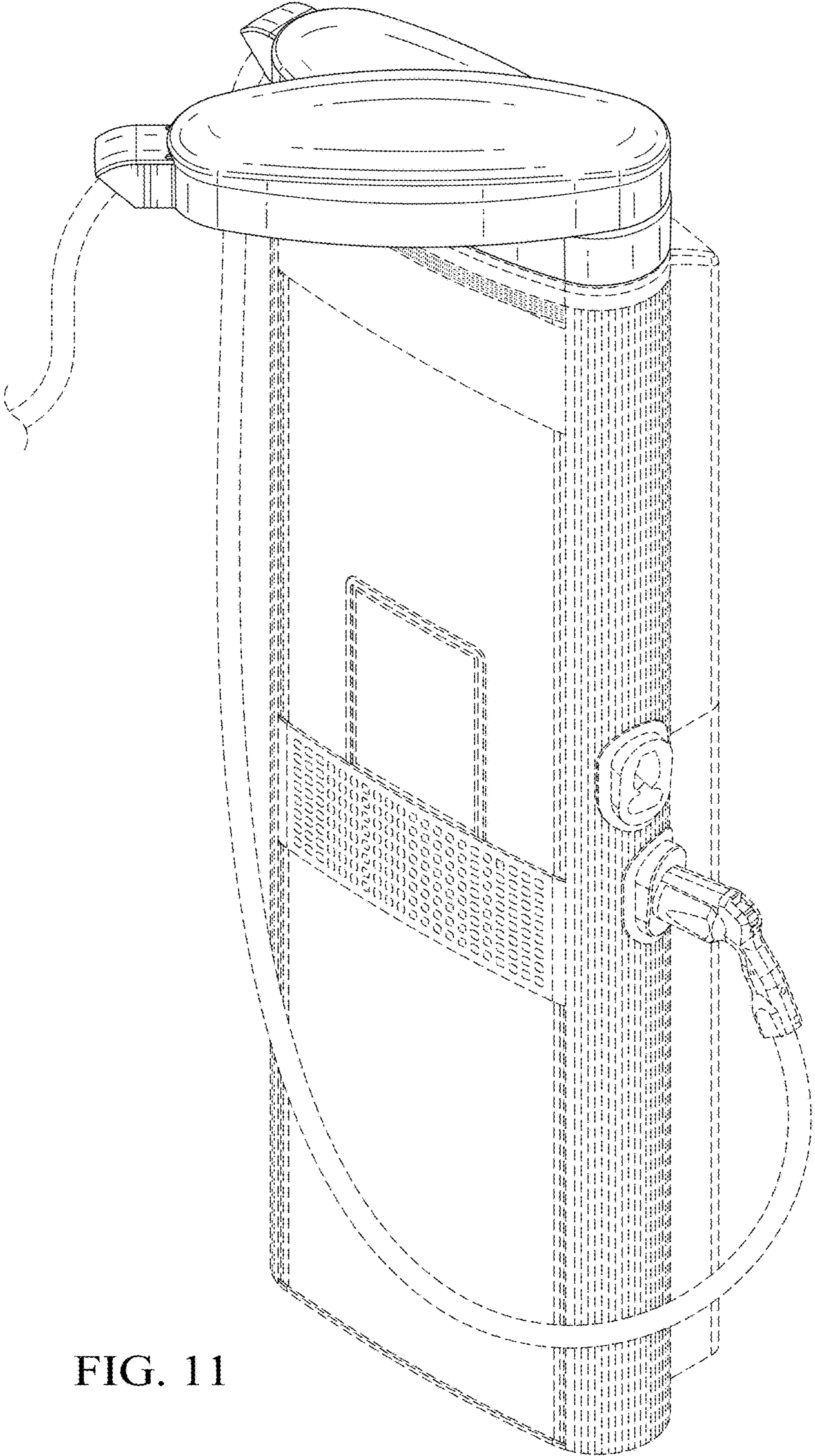


FIG. 11

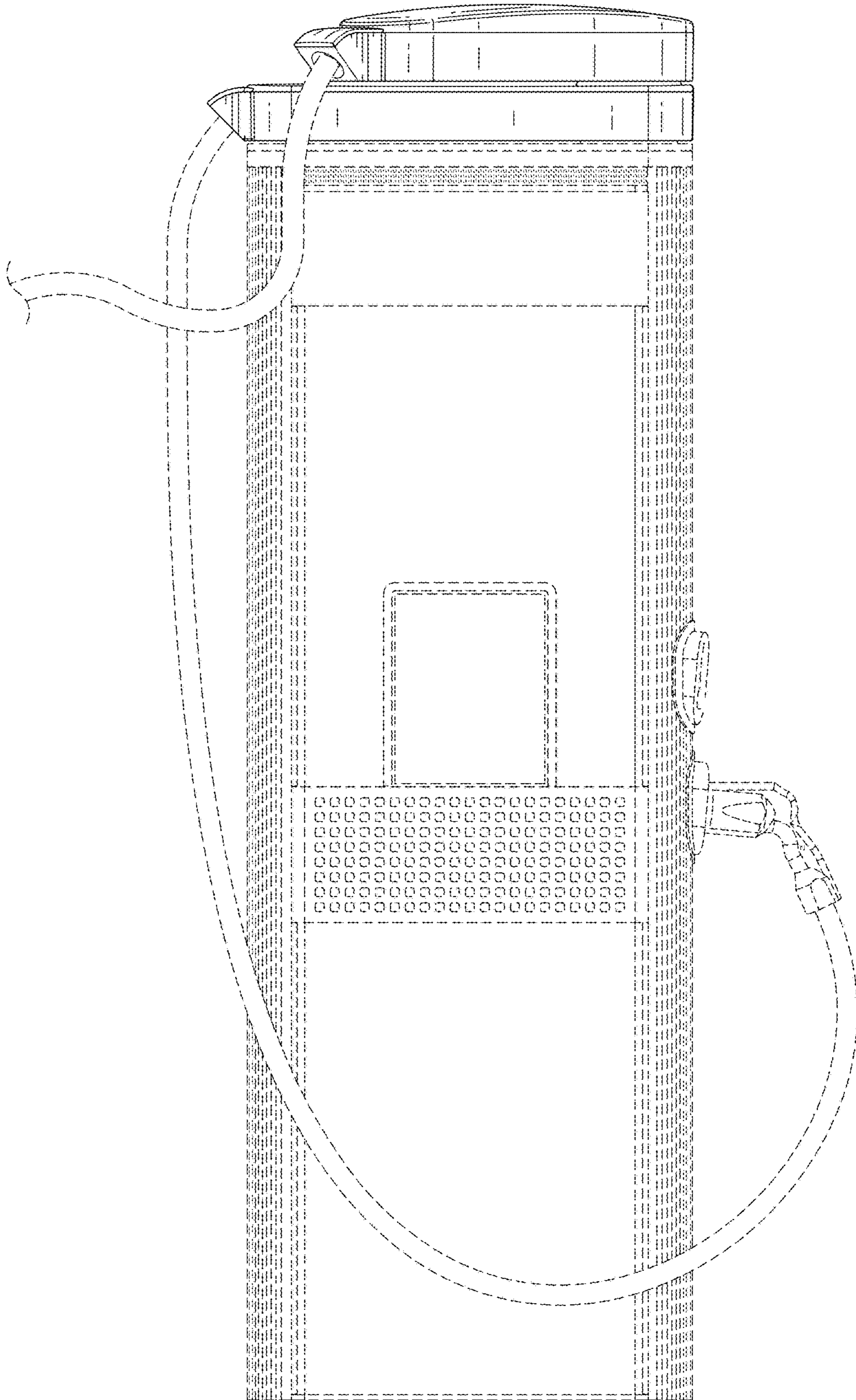


FIG. 12