



US00D833387S

(12) **United States Design Patent**
Baxter et al.

(10) **Patent No.:** **US D833,387 S**
(45) **Date of Patent:** **** Nov. 13, 2018**

(54) **ELECTRIC VEHICLE CHARGING STATION WITH MOVABLE SWING ARMS**

(71) Applicant: **ChargePoint, Inc.**, Campbell, CA (US)

(72) Inventors: **David Baxter**, Monte Sereno, CA (US);
Darren Chin-Ho Kim, Oakland, CA (US); **Peter H. Muller**, Portland, OR (US); **Pasquale Romano**, Los Gatos, CA (US); **Price B. Terzis**, Los Altos Hills, CA (US)

(73) Assignee: **CHARGEPOINT, INC.**, Campbell, CA (US)

(**) Term: **15 Years**

(21) Appl. No.: **29/589,817**

(22) Filed: **Jan. 4, 2017**

(51) **LOC (11) Cl.** **13-02**

(52) **U.S. Cl.**
USPC **D13/107**

(58) **Field of Classification Search**
USPC D13/107–110, 118–119, 184, 199;
D14/251, 253, 432, 434

(Continued)

(56) **References Cited**

U.S. PATENT DOCUMENTS

D585,367 S 1/2009 Dunbar et al.
D597,937 S * 8/2009 Haw D13/107
(Continued)

OTHER PUBLICATIONS

Notice of Allowance from U.S. Appl. No. 29/589,820, dated Mar. 20, 2018, 9 pages.

Primary Examiner — Rosemary K Tarcza
(74) *Attorney, Agent, or Firm* — Nicholson De Vos Webster & Elliott LLP

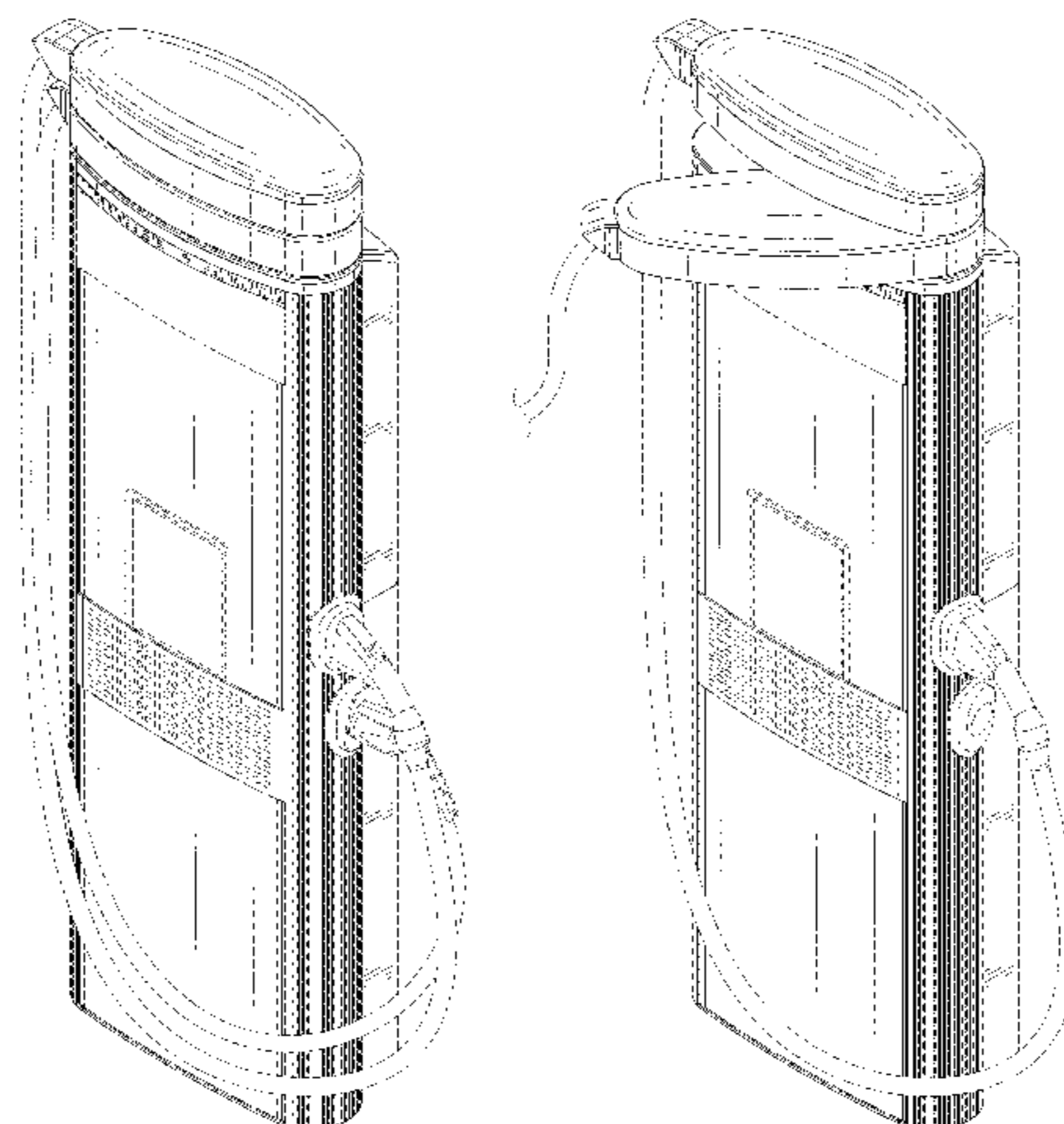
(57) **CLAIM**

The ornamental design for an electric vehicle charging station with movable swing arms, as shown and described.

DESCRIPTION

FIG. 1 shows a front perspective view of an electric vehicle charging station with movable swing arms;
FIG. 2 shows a front view of the electric vehicle charging station with movable swing arms of FIG. 1;
FIG. 3 shows a back view of the electric vehicle charging station with movable swing arms of FIG. 1;
FIG. 4 shows a right view of the electric vehicle charging station with movable swing arms of FIG. 1;
FIG. 5 shows a left view of the electric vehicle charging station with movable swing arms of FIG. 1;
FIG. 6 shows a top view of the electric vehicle charging station with movable swing arms of FIG. 1;
FIG. 7 shows a bottom view of the electric vehicle charging station with movable swing arms of FIG. 1;
FIG. 8 shows a rear perspective view of the electric vehicle charging station with movable swing arms of FIG. 1;
FIG. 9 shows a front perspective view of the electric vehicle charging station with movable swing arms of FIG. 1 where the bottom movable swing arm is moved to an extended position;
FIG. 10 shows a front view of the electric vehicle charging station with movable swing arms of FIG. 1 where the bottom movable swing arm is moved to the extended position shown in FIG. 9;
FIG. 11 shows a front perspective view of the electric vehicle charging station with movable swing arms of FIG. 1 where the top movable swing arm is moved to an extended position; and,
FIG. 12 shows a front view of the electric vehicle charging station with movable swing arms of FIG. 1 where the top movable swing arm is moved to the extended position shown in FIG. 11.
The broken lines illustrate environmental structure and form no part of the claimed design.

1 Claim, 10 Drawing Sheets



(58) **Field of Classification Search**

CPC Y02E 60/12; Y02T 90/14; Y02T 90/122;
Y02T 90/128; Y02T 90/163; H02J 7/025;
H02J 7/0042; H02J 7/0044; H02J 7/0045;
H02J 7/0003; H01F 38/14; H01R
13/6675; H01M 2/1022; H01M 2/1055;
H01M 10/44; H01M 10/46; H01M
10/425; B60L 11/182

See application file for complete search history.

(56) **References Cited**

U.S. PATENT DOCUMENTS

D613,683 S * 4/2010 Baxter D13/107
D626,064 S * 10/2010 Cutter D13/107
D626,065 S * 10/2010 Cutter D13/107
D652,792 S 1/2012 Budike, Jr.
D662,045 S * 6/2012 Gotou D13/107
D665,734 S 8/2012 Fitch et al.
D672,714 S * 12/2012 Brandys D13/107
D674,334 S * 1/2013 Cutter D13/107
D674,335 S * 1/2013 Yamashita D13/107
D676,376 S * 2/2013 Yamada D13/107
D683,306 S * 5/2013 Lecoanet D13/107
D711,315 S * 8/2014 Chin-Ho Kim D13/107
D720,285 S * 12/2014 Gilomen D13/107
D730,821 S * 6/2015 Chin-Ho Kim D13/107
D730,822 S * 6/2015 Chin-Ho Kim D13/107
D731,414 S * 6/2015 Chin-Ho Kim D13/107
D733,647 S * 7/2015 Farrell D13/107
D735,660 S * 8/2015 Ferguson D13/107
D749,503 S * 2/2016 Ferguson D13/107
D778,818 S * 2/2017 Bruining D13/107
D800,652 S * 10/2017 Yang D13/107

* cited by examiner

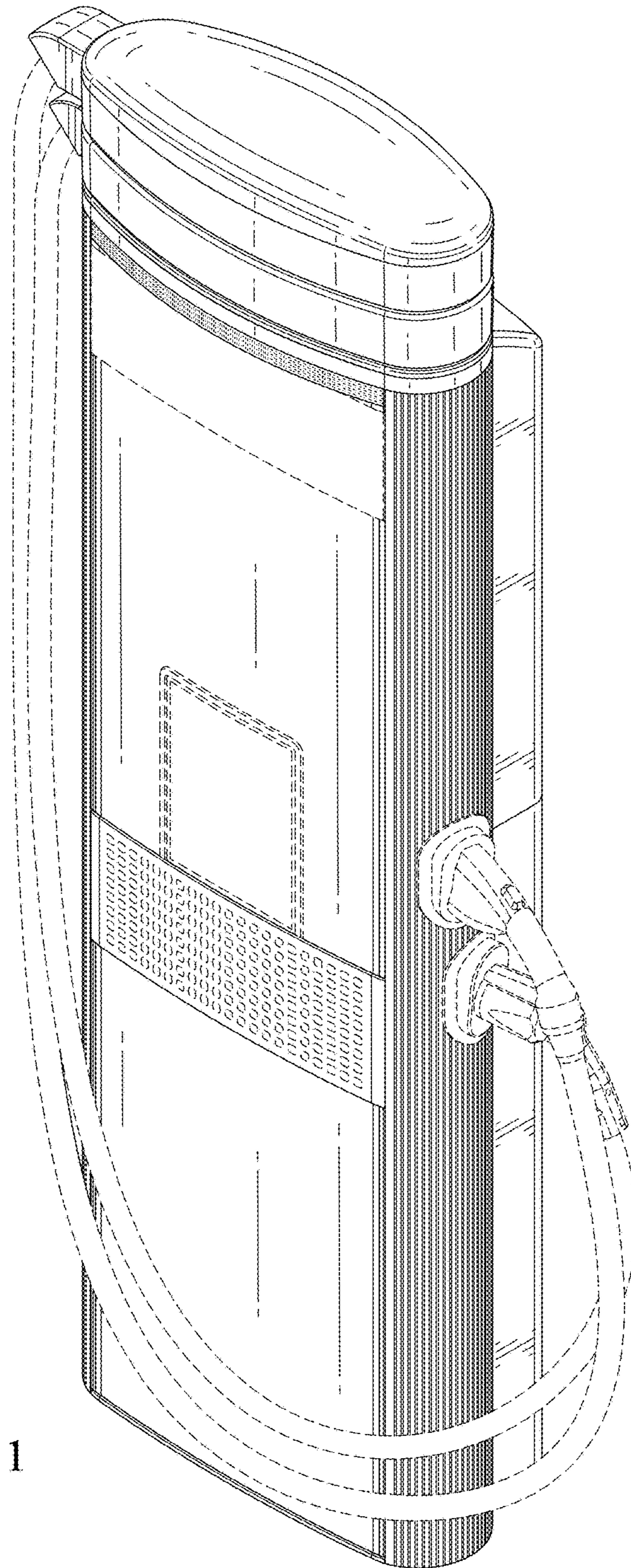


FIG. 1

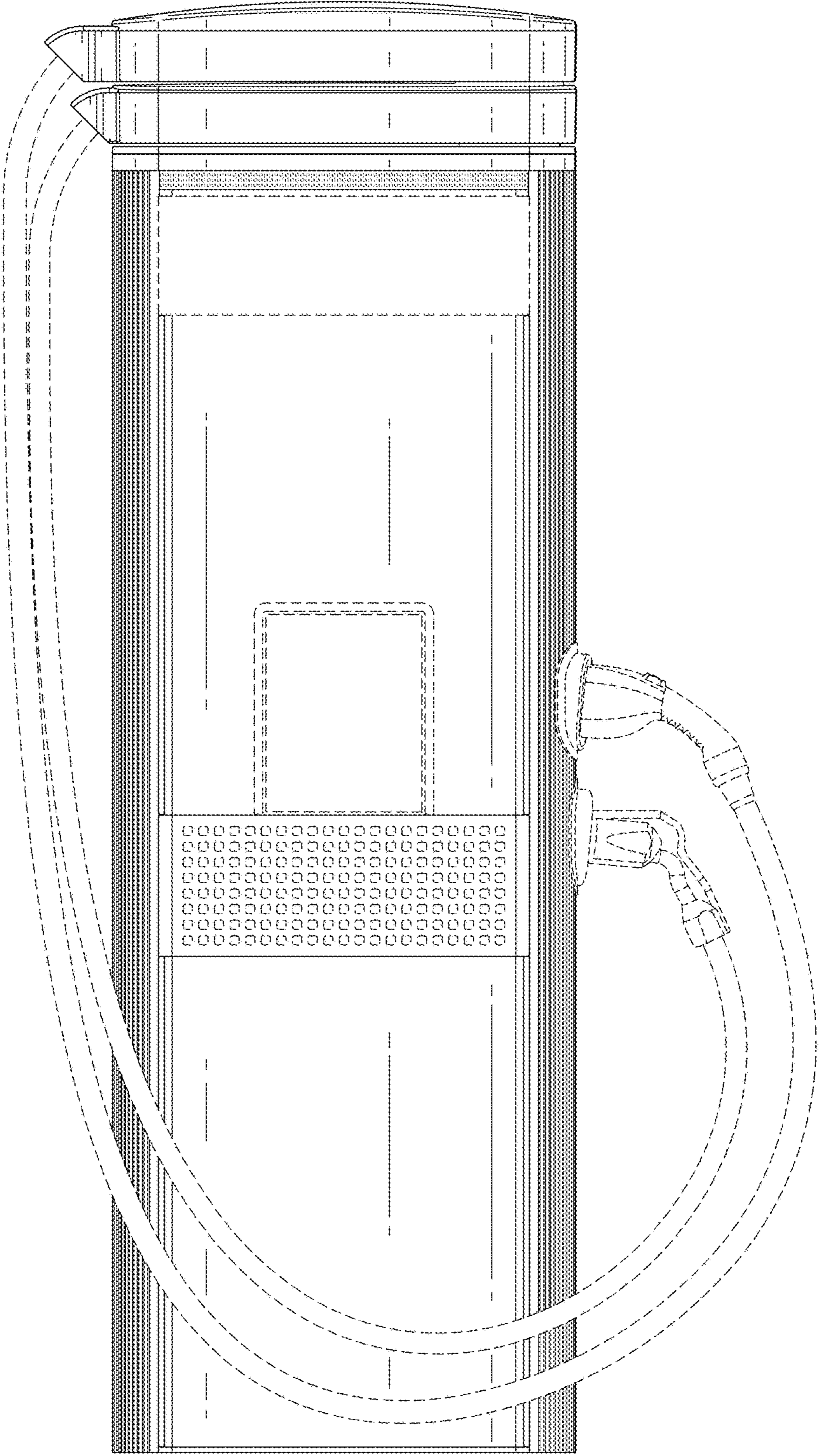


FIG. 2

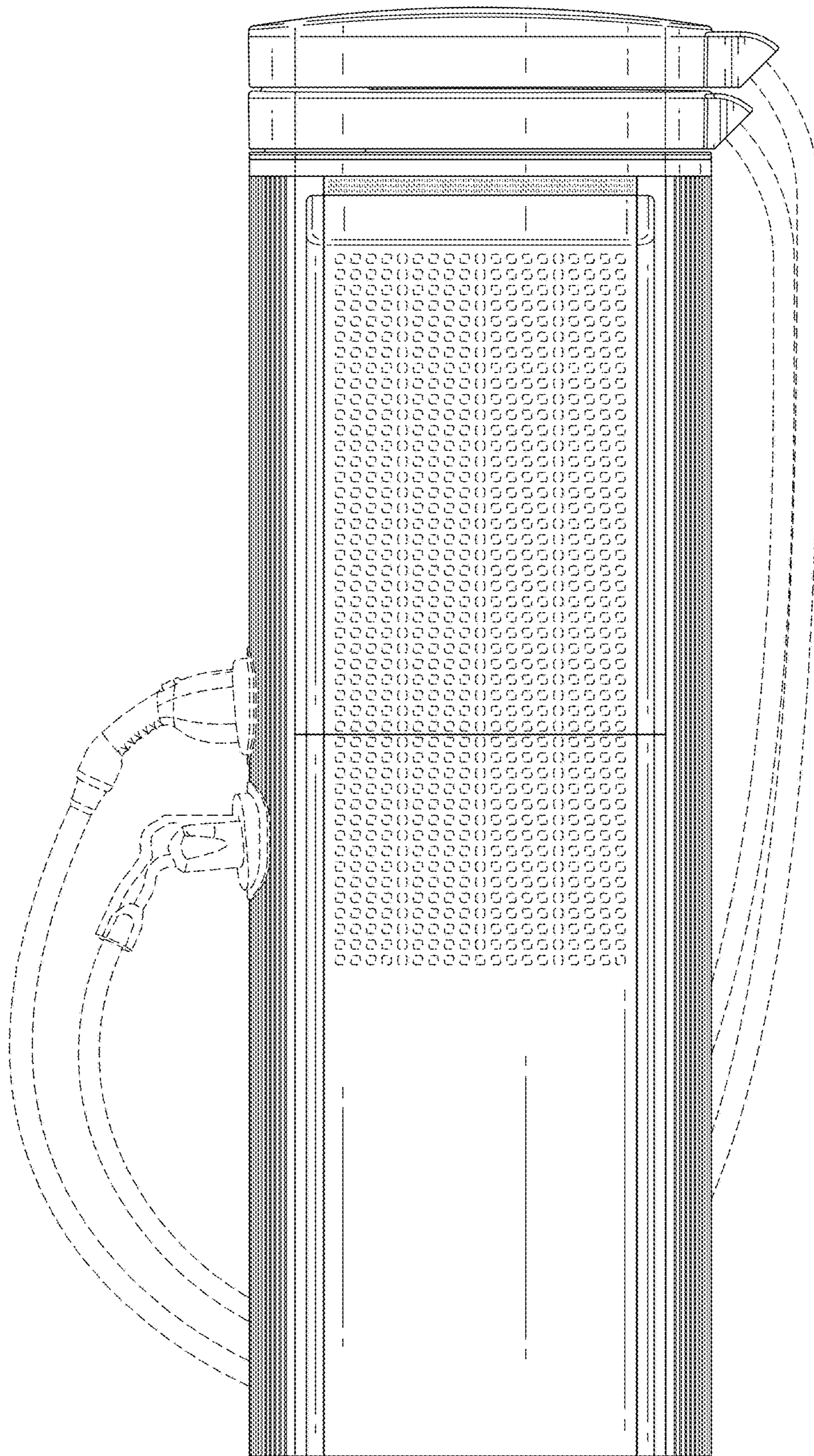


FIG. 3

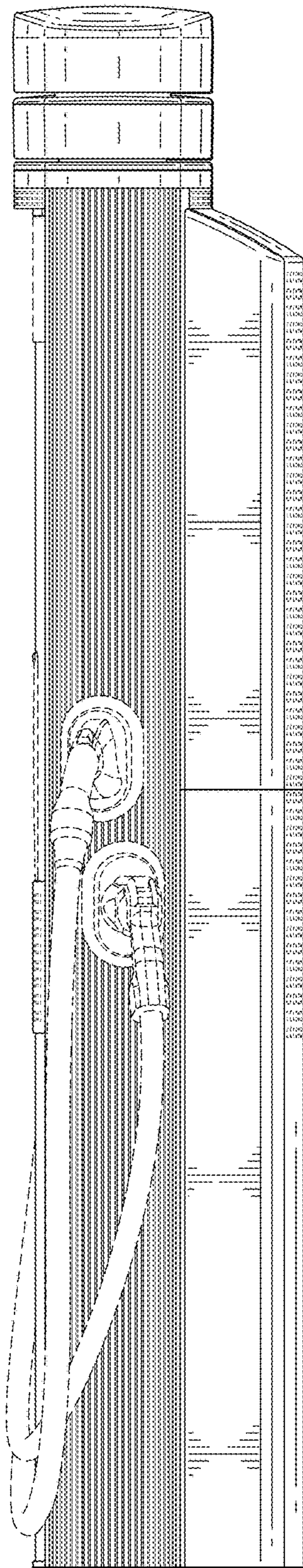


FIG. 4

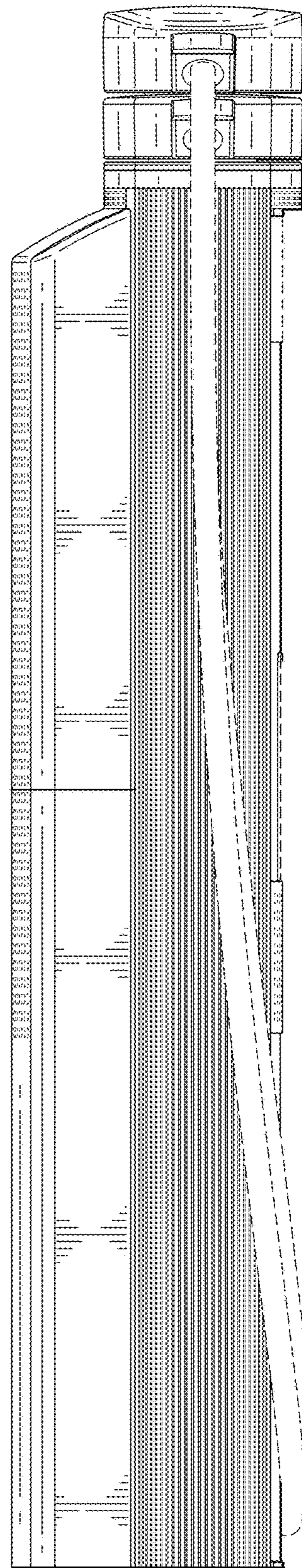


FIG. 5

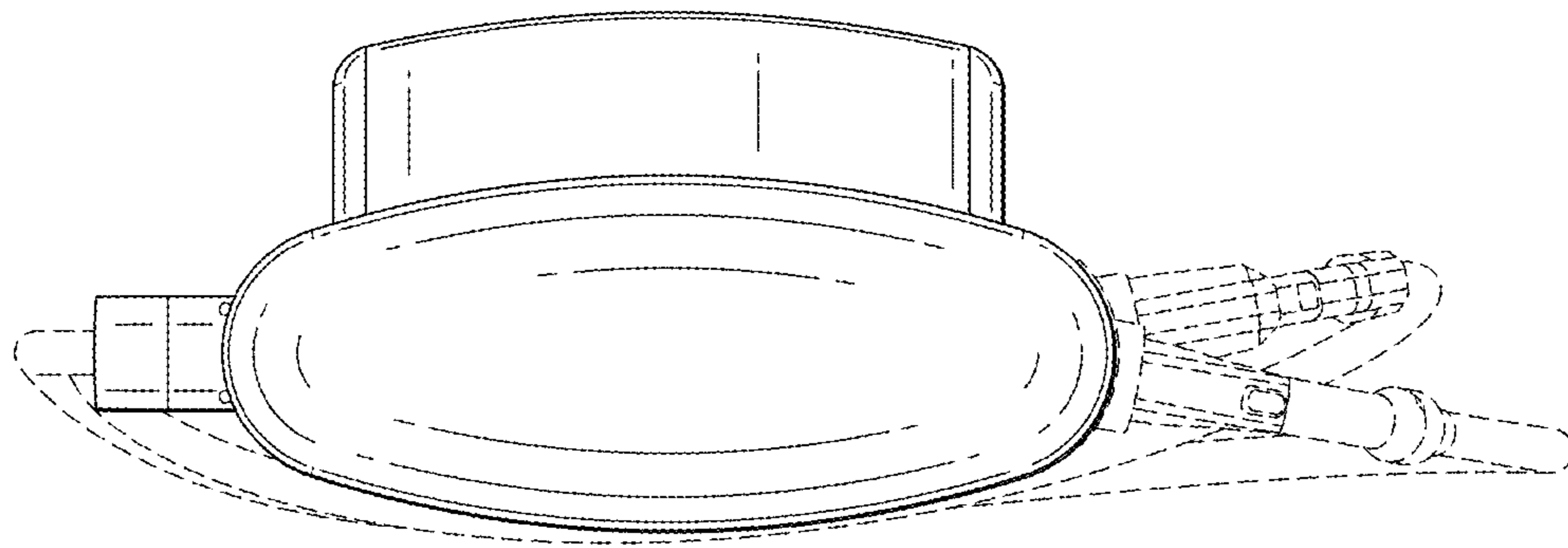


FIG. 6

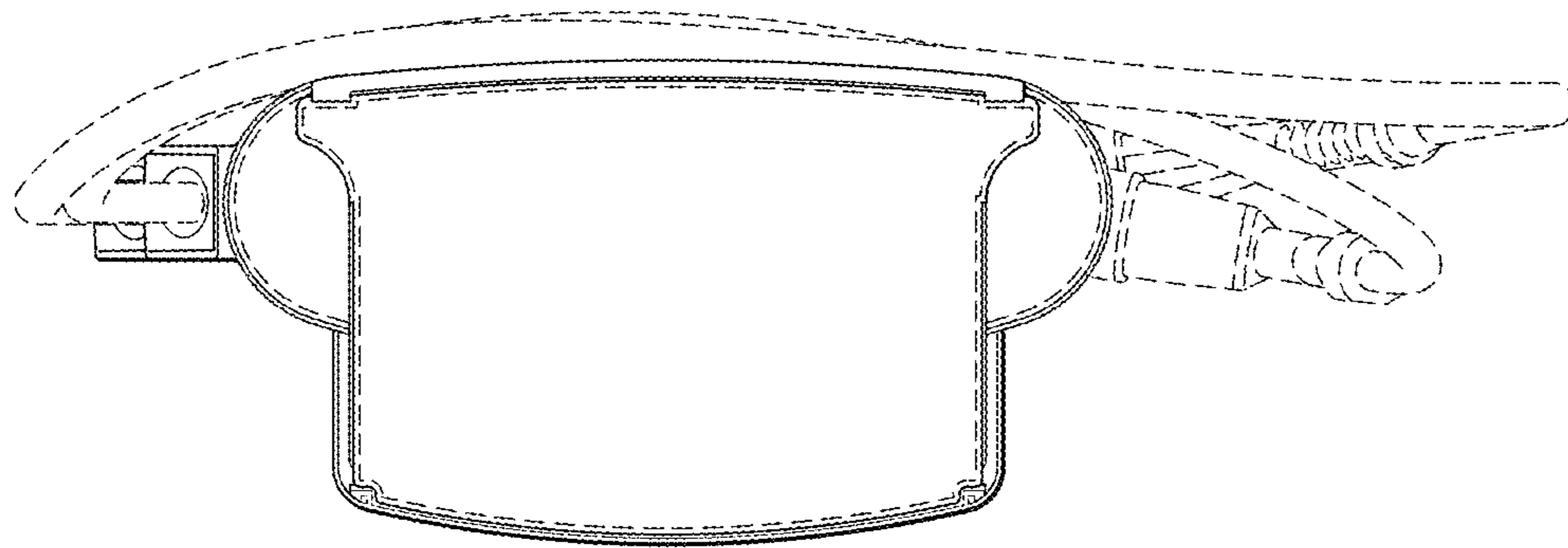
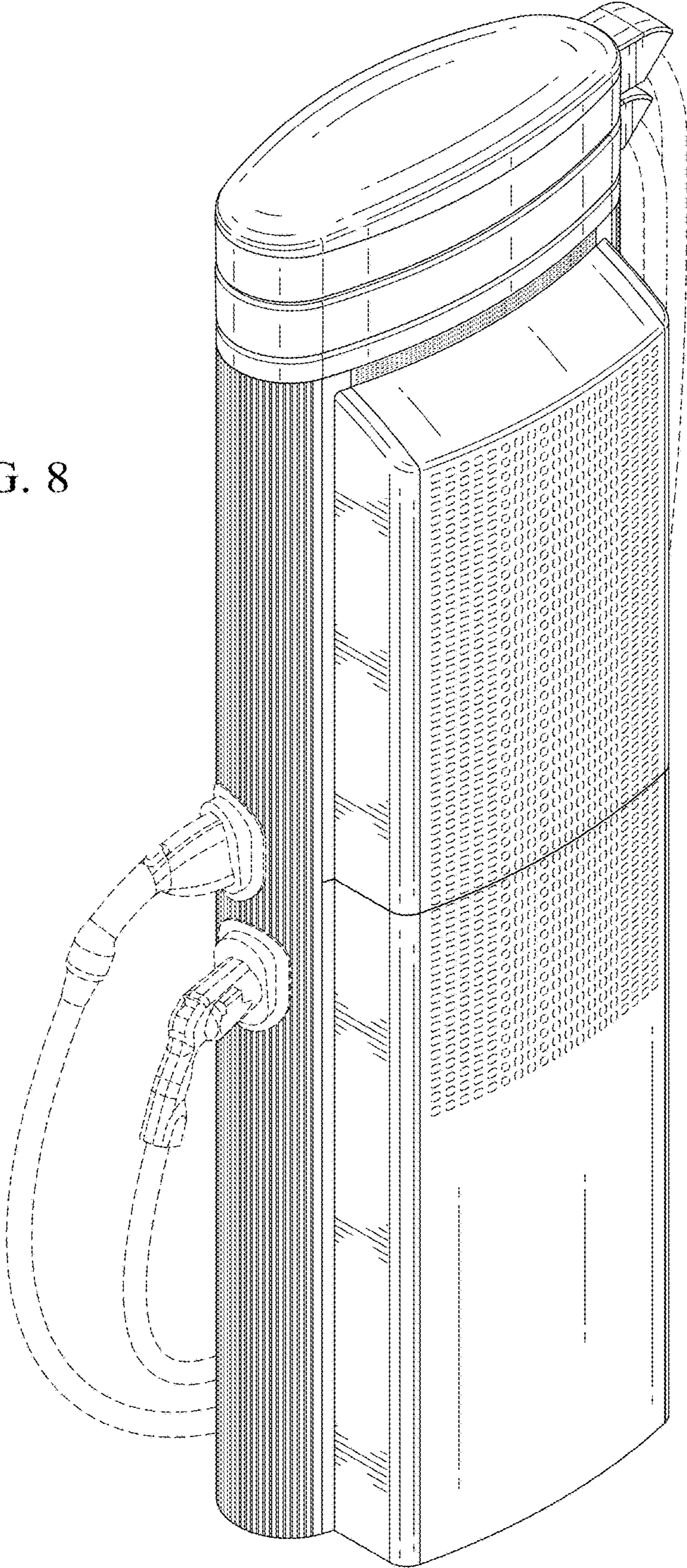


FIG. 7

FIG. 8



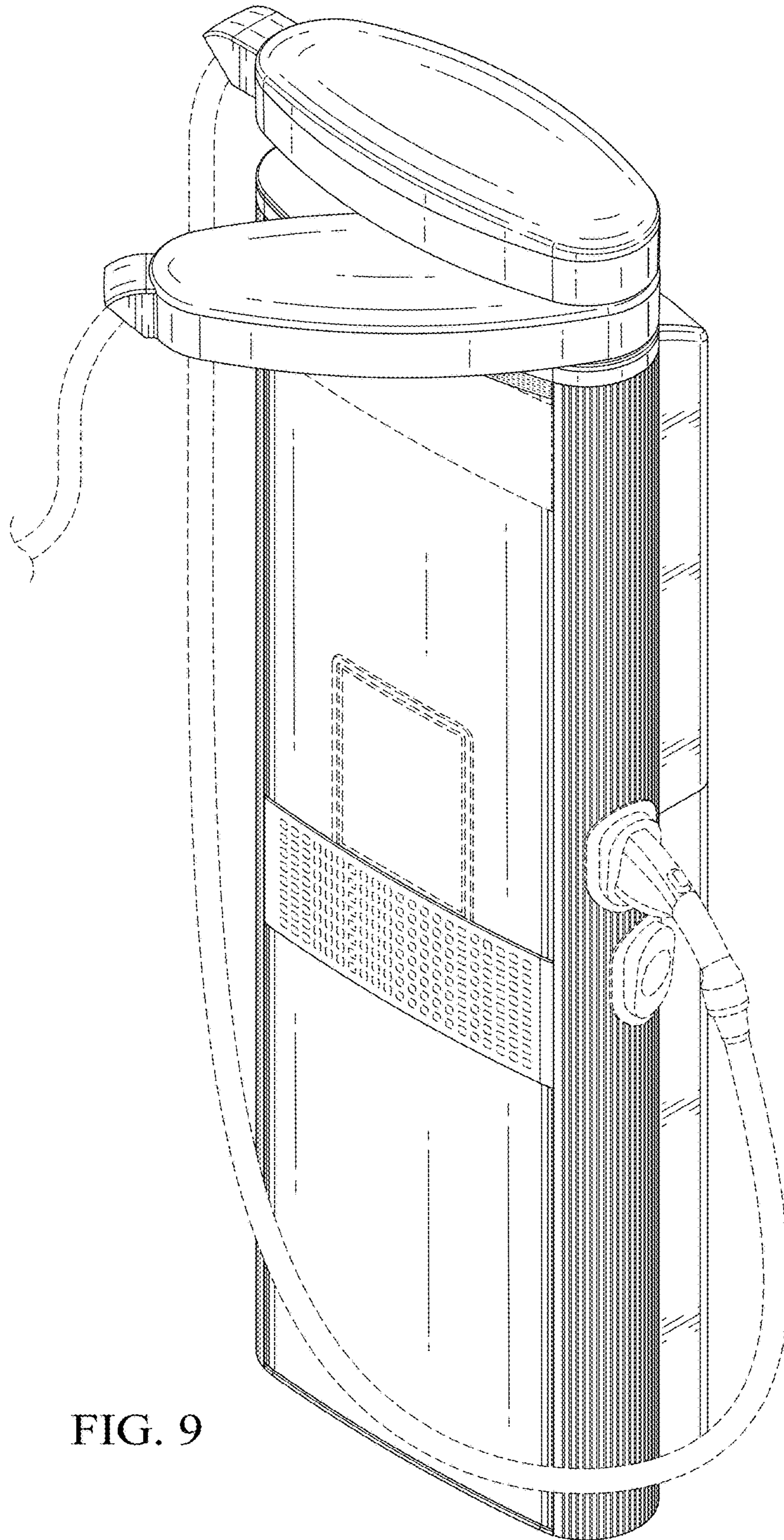


FIG. 9

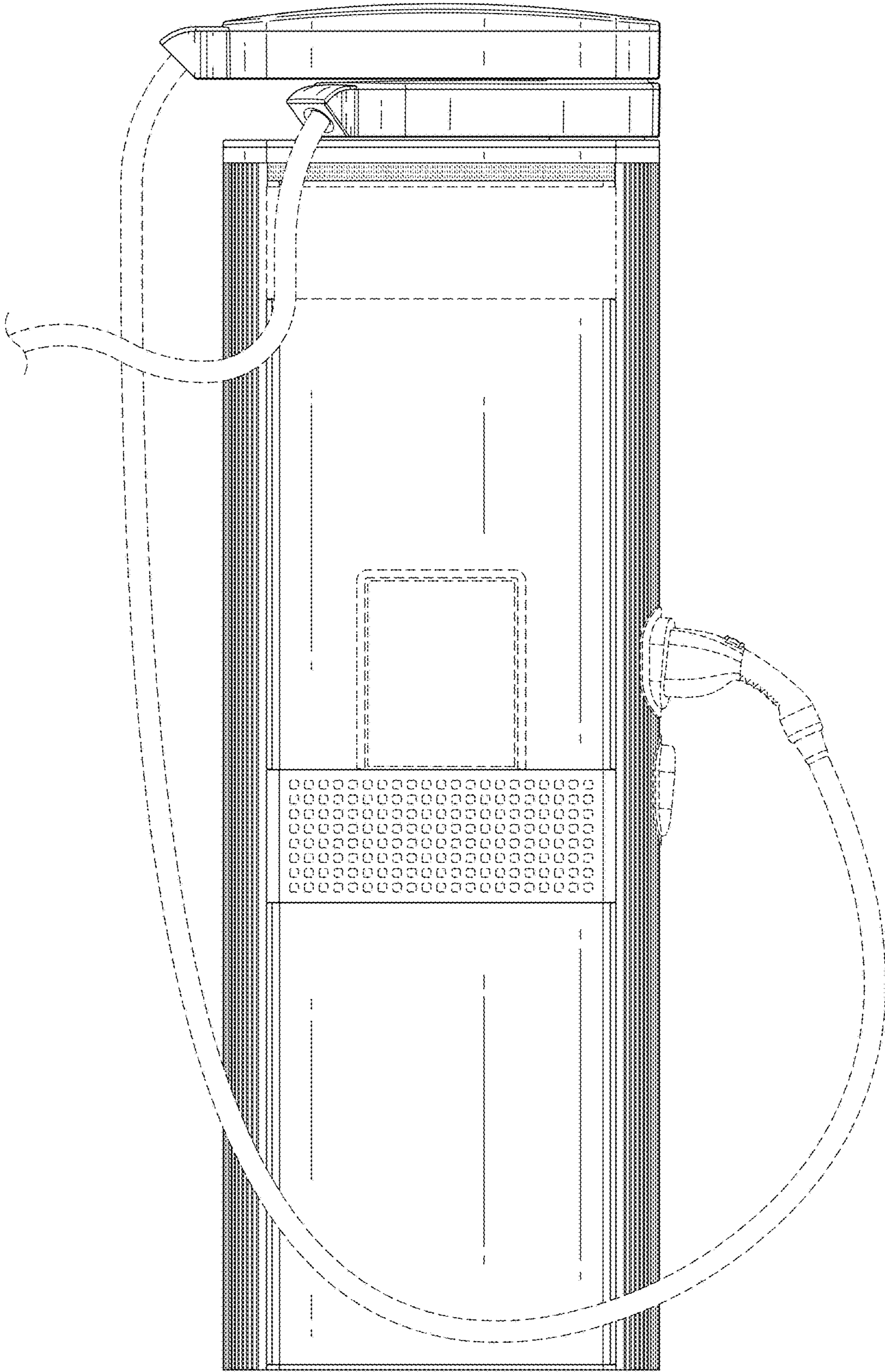


FIG. 10

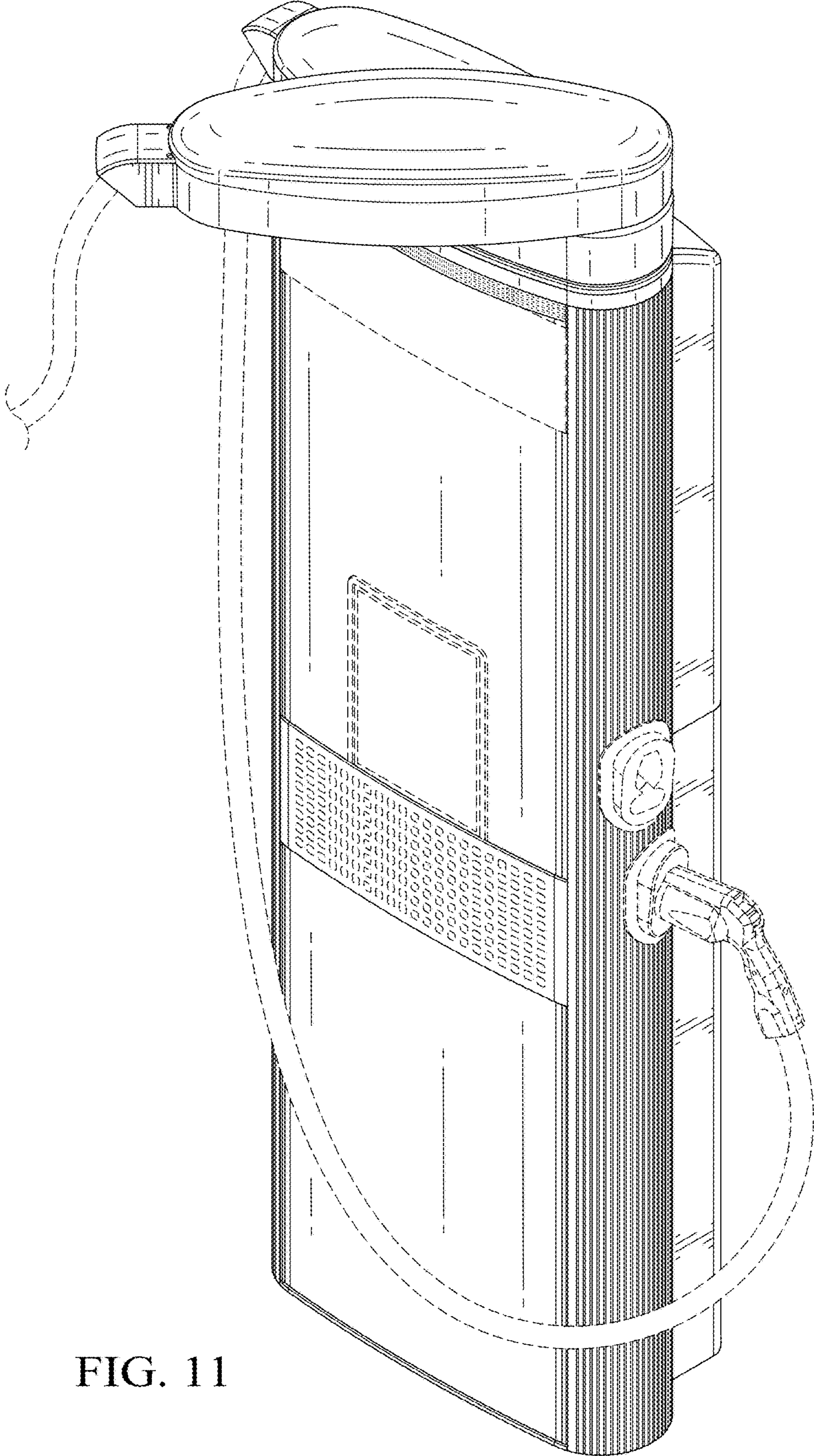


FIG. 11

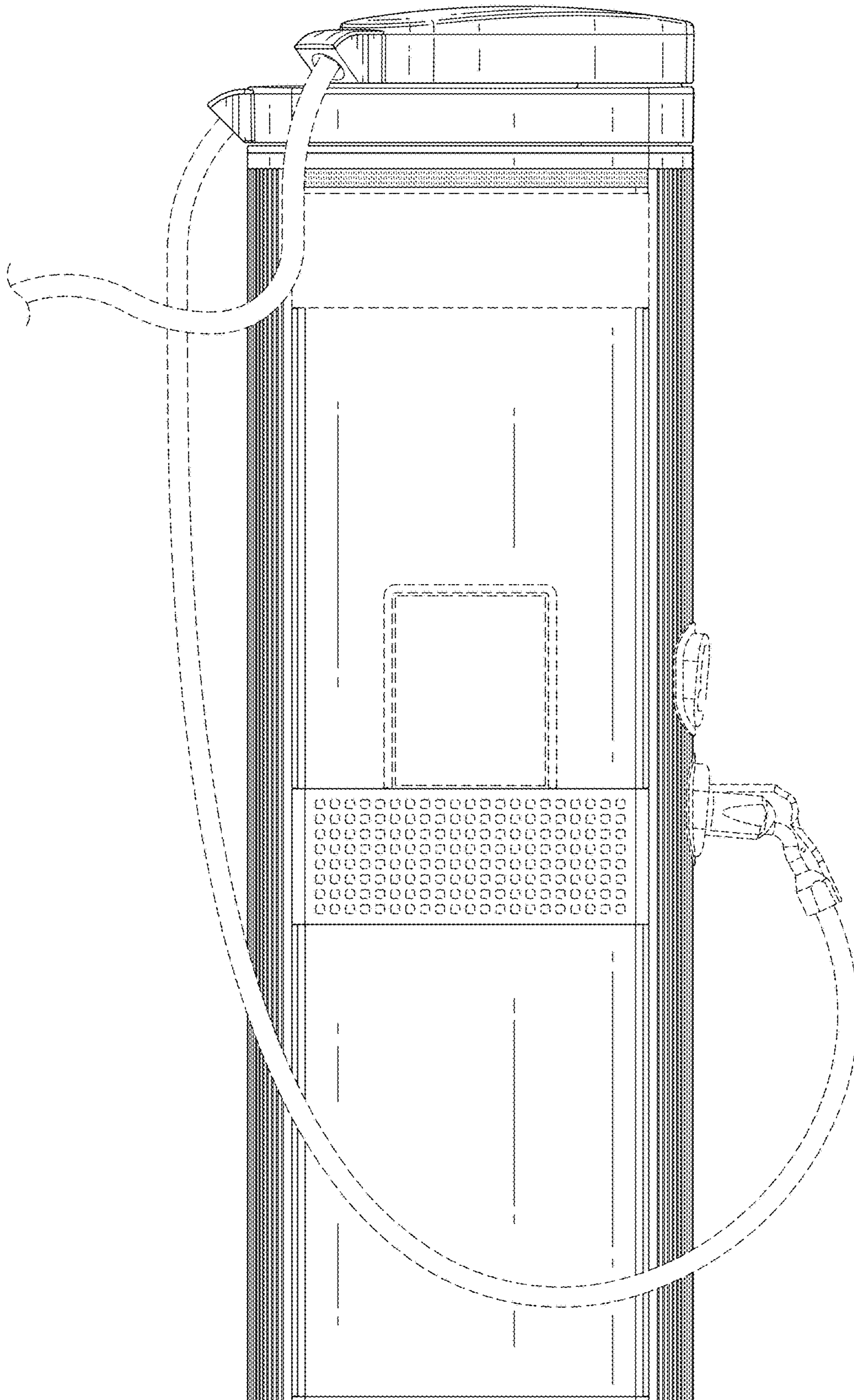


FIG. 12