



US00D833386S

(12) **United States Design Patent**
Tschopp et al.

(10) **Patent No.:** **US D833,386 S**

(45) **Date of Patent:** **** Nov. 13, 2018**

(54) **JUMP STARTER**

(71) Applicant: **Black & Decker Inc.**, New Britain, CT (US)

(72) Inventors: **Tylan A. Tschopp**, Baltimore, MD (US); **Dustin M. Lee**, Worthington, OH (US)

(73) Assignee: **BLACK & DECKER INC.**, New Britain, CT (US)

(**) Term: **15 Years**

(21) Appl. No.: **29/587,096**

(22) Filed: **Dec. 9, 2016**

(51) **LOC (11) Cl.** **13-02**

(52) **U.S. Cl.**
USPC **D13/107; D15/9**

(58) **Field of Classification Search**
USPC D13/102-108, 110, 118-119, 184, 199;
D14/251, 253, 432, 434; D15/9

CPC Y02E 60/12; Y02E 60/122; Y02E 60/124;
Y02E 60/50; H01M 2/02; H01M 2/022;
H01M 2/0202; H01M 2/0207; H01M
2/0212; H01M 2/1061; H01M 2/1022;
H01M 2/1055; H01M 2/1066; H01M
2/105; H01M 2/204; H01M 10/4257;
H01M 10/0436; H01M 10/48; Y02T
10/7005; Y02T 10/705; Y02T 10/7088;
H02J 7/0034; H02J 7/0054; H02J 7/1423;
H02J 2001/006

See application file for complete search history.

(56) **References Cited**

U.S. PATENT DOCUMENTS

D589,985 S * 4/2009 Steinfels D15/9
D601,495 S * 10/2009 Shum D13/107

D601,496 S * 10/2009 Shum D13/107
D609,633 S * 2/2010 Daniels D13/107
D653,204 S * 1/2012 Whiting D13/107
D654,863 S * 2/2012 Whiting D13/107
D654,865 S * 2/2012 DuMelle D13/107
D684,116 S * 6/2013 Inskeep D13/107
D702,181 S * 4/2014 Maki D13/107
D742,308 S * 11/2015 James D13/107
D749,643 S * 2/2016 Craig D15/9
D762,167 S * 7/2016 Inskeep D13/107
D792,473 S * 7/2017 Imsand D15/7

* cited by examiner

Primary Examiner — Jennifer Rivard

Assistant Examiner — Alison M Ofstun

(74) *Attorney, Agent, or Firm* — Adan Ayala

(57) **CLAIM**

The ornamental design for a jump starter, as shown and described.

DESCRIPTION

FIG. 1 is a front perspective view of a jump starter, showing our new design.

FIG. 2 is a front view of the jump starter of FIG. 1.

FIG. 3 is a rear view of the jump starter of FIG. 1.

FIG. 4 is a left side view of the jump starter of FIG. 1.

FIG. 5 is a right side view of the jump starter of FIG. 1.

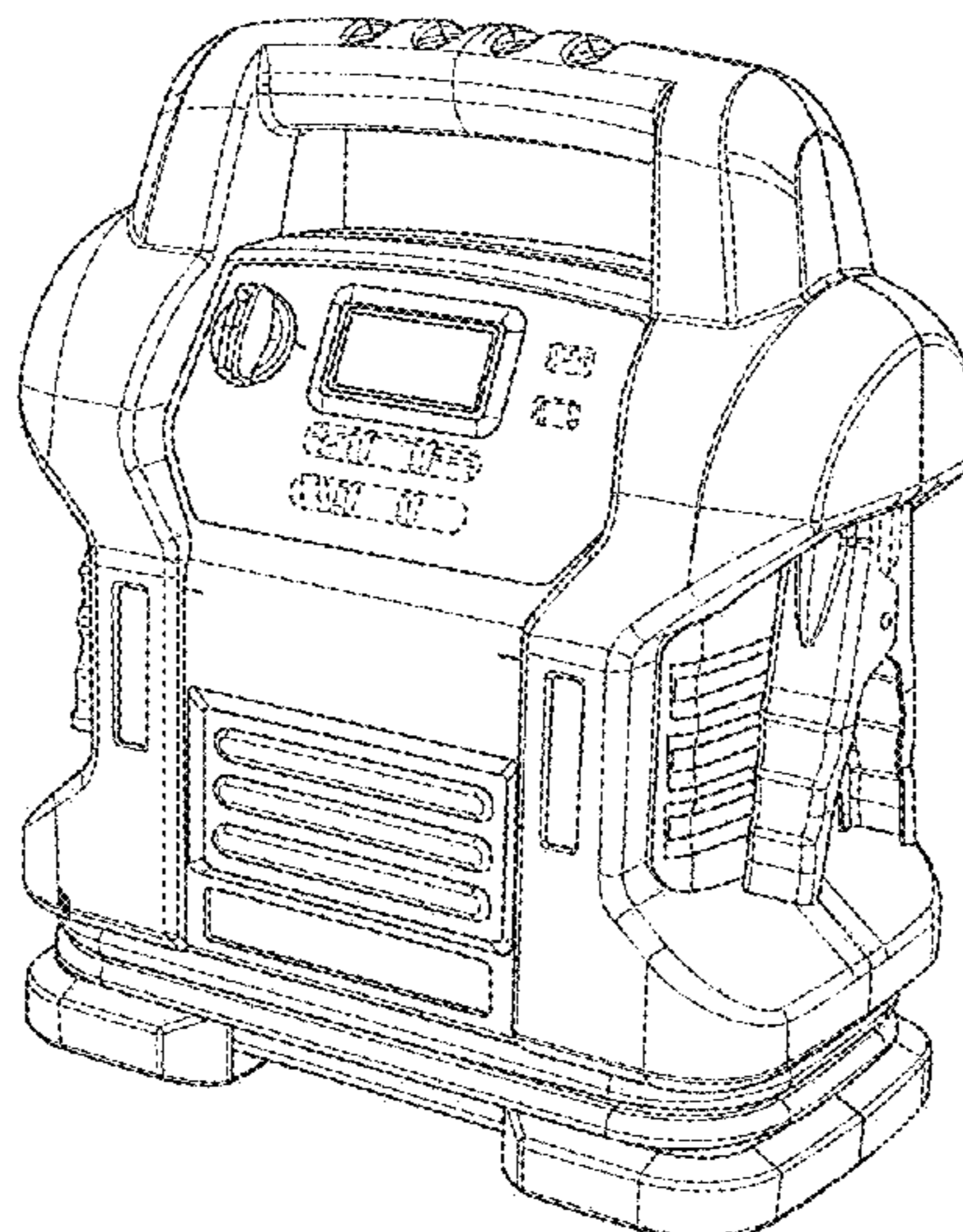
FIG. 6 is a top plan view of the jump starter of FIG. 1.

FIG. 7 is a bottom plan view of the jump starter of FIG. 1; and,

FIG. 8 is a rear perspective view of the jump starter of FIG. 1.

The broken lines in the figures represent portions of the article which form no part of the claimed design.

1 Claim, 8 Drawing Sheets



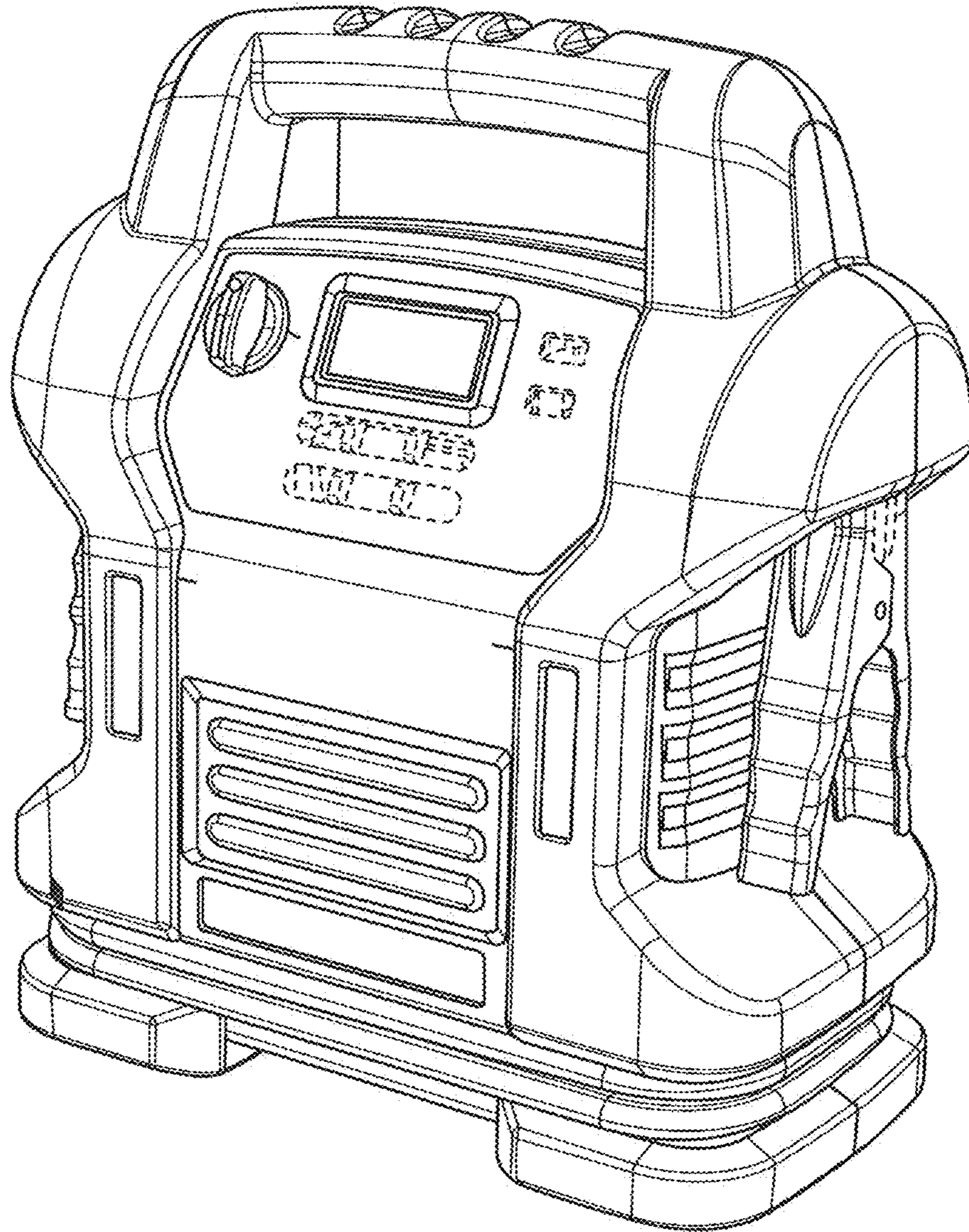


FIG. 1

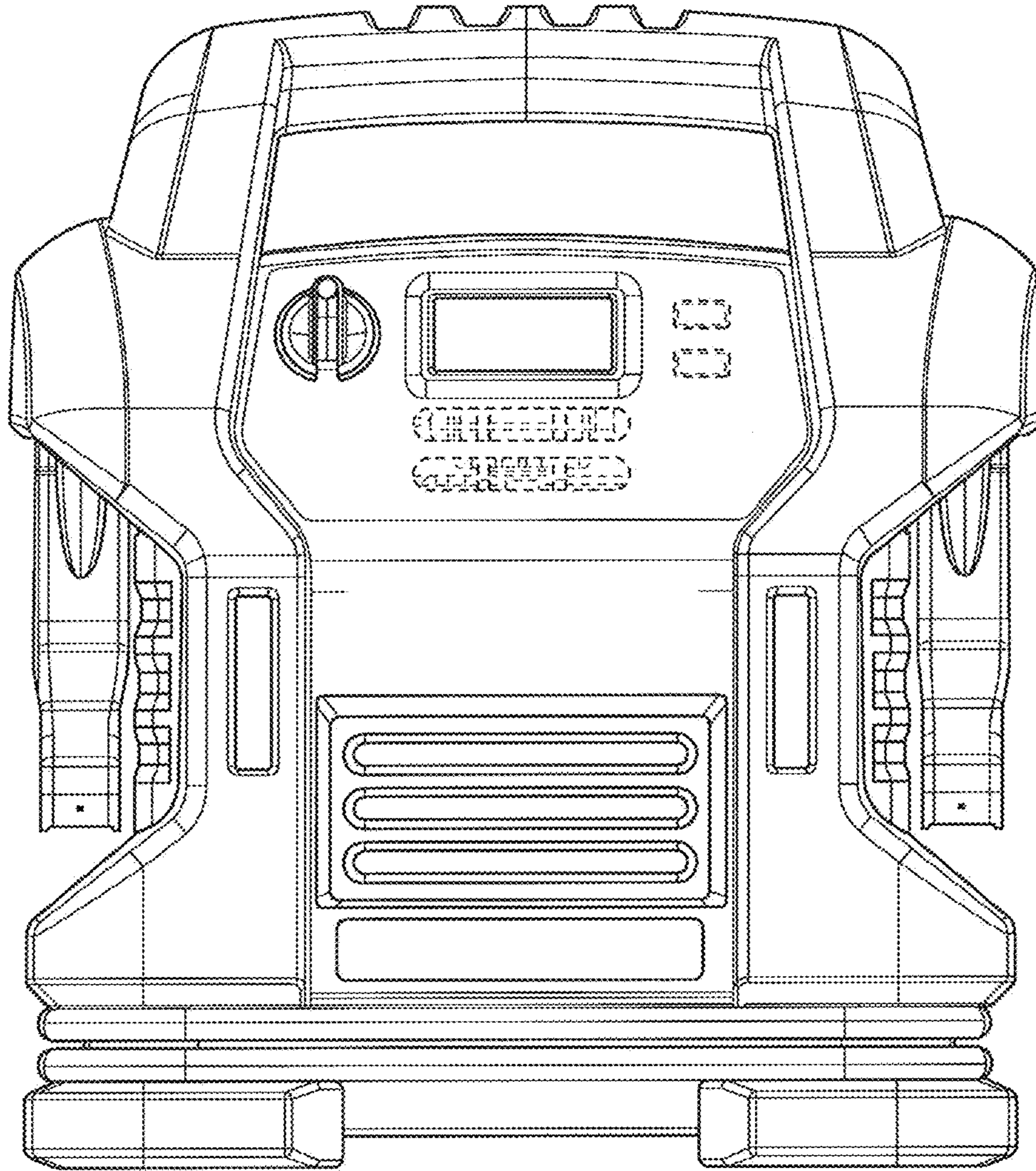


FIG. 2

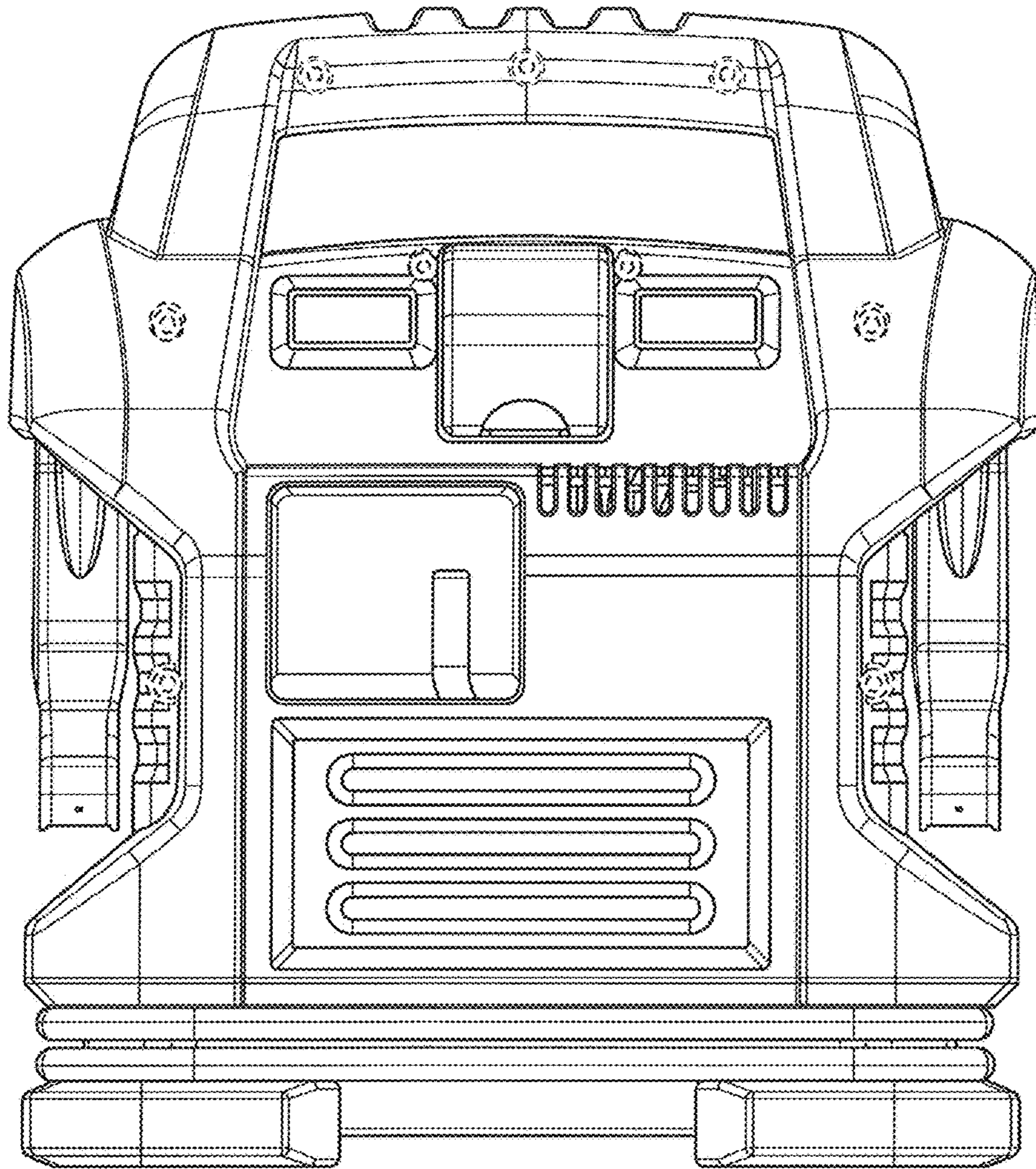


FIG. 3

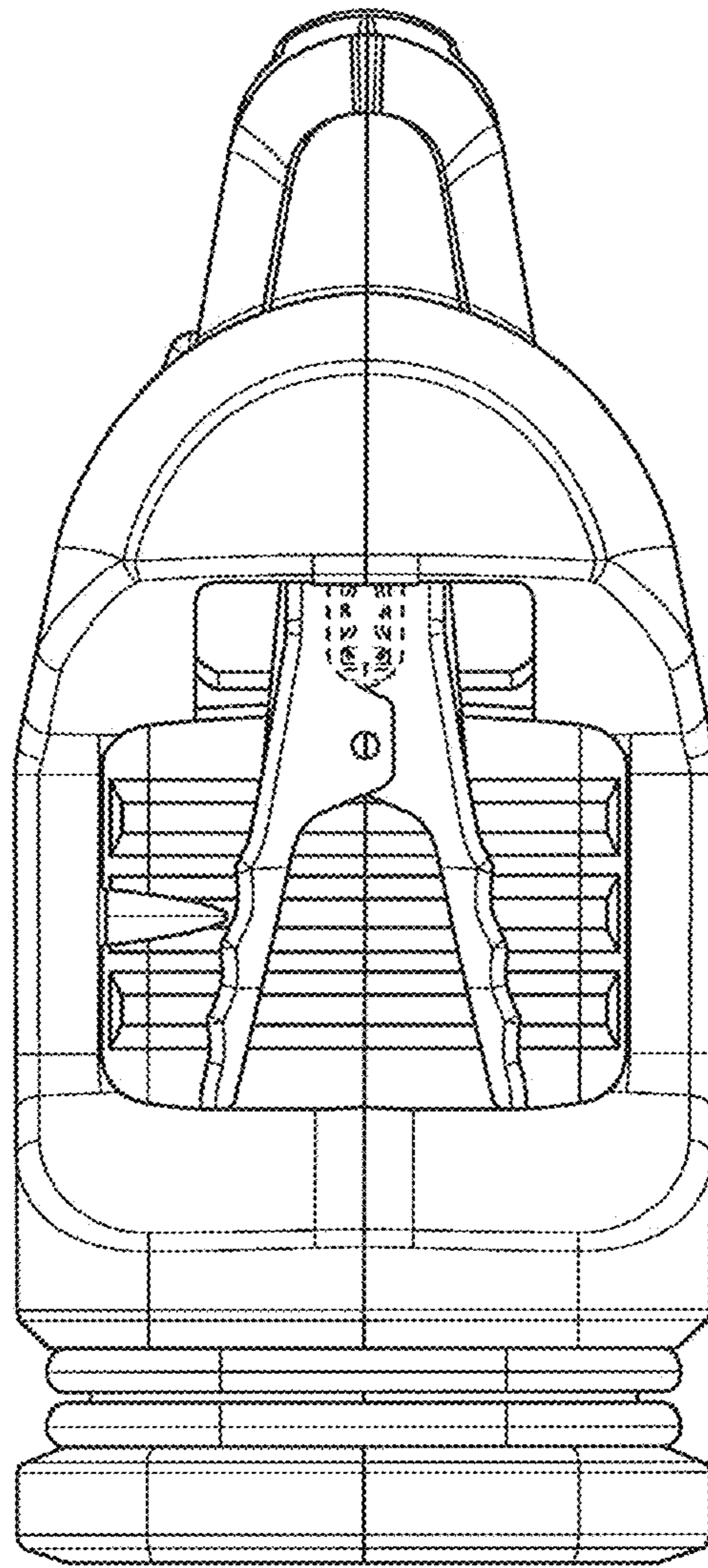


FIG. 4

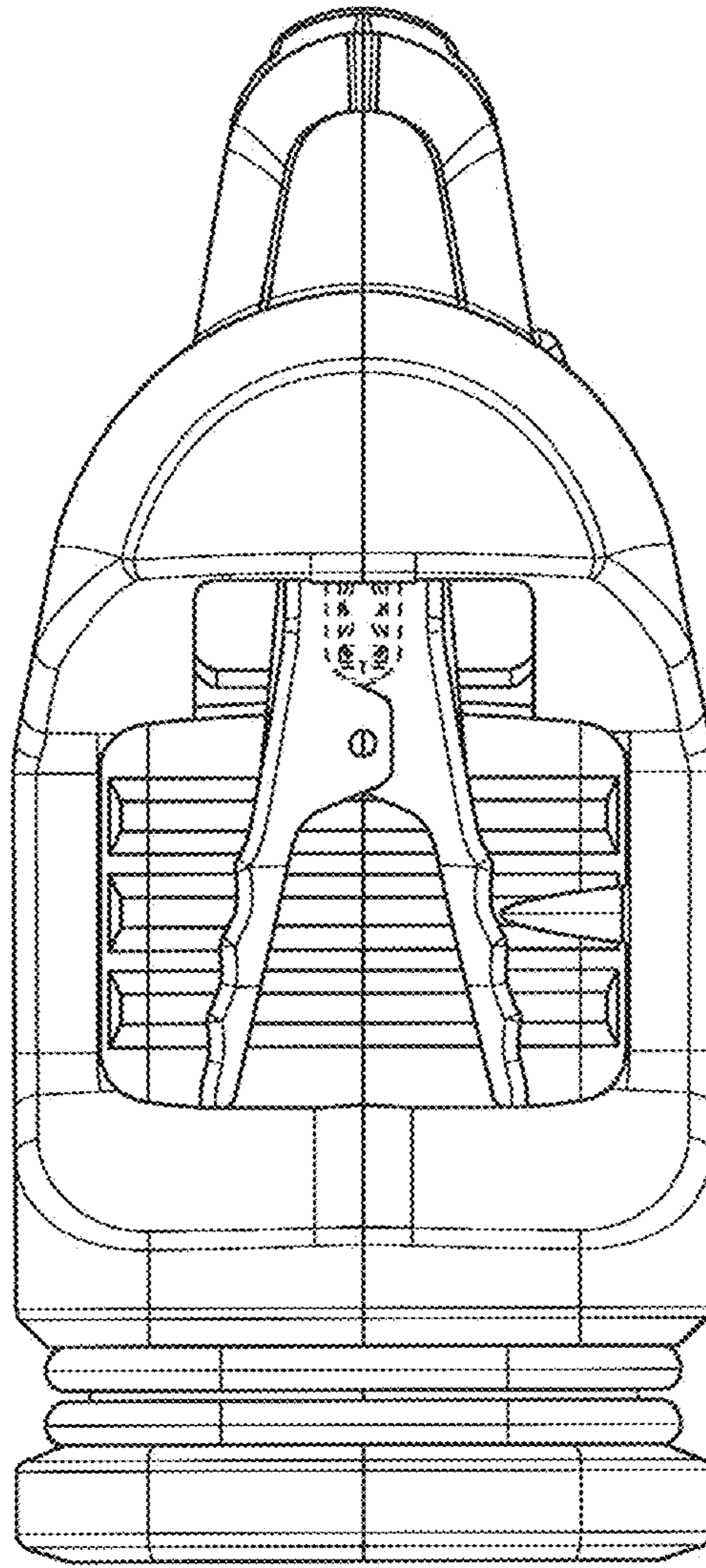


FIG. 5

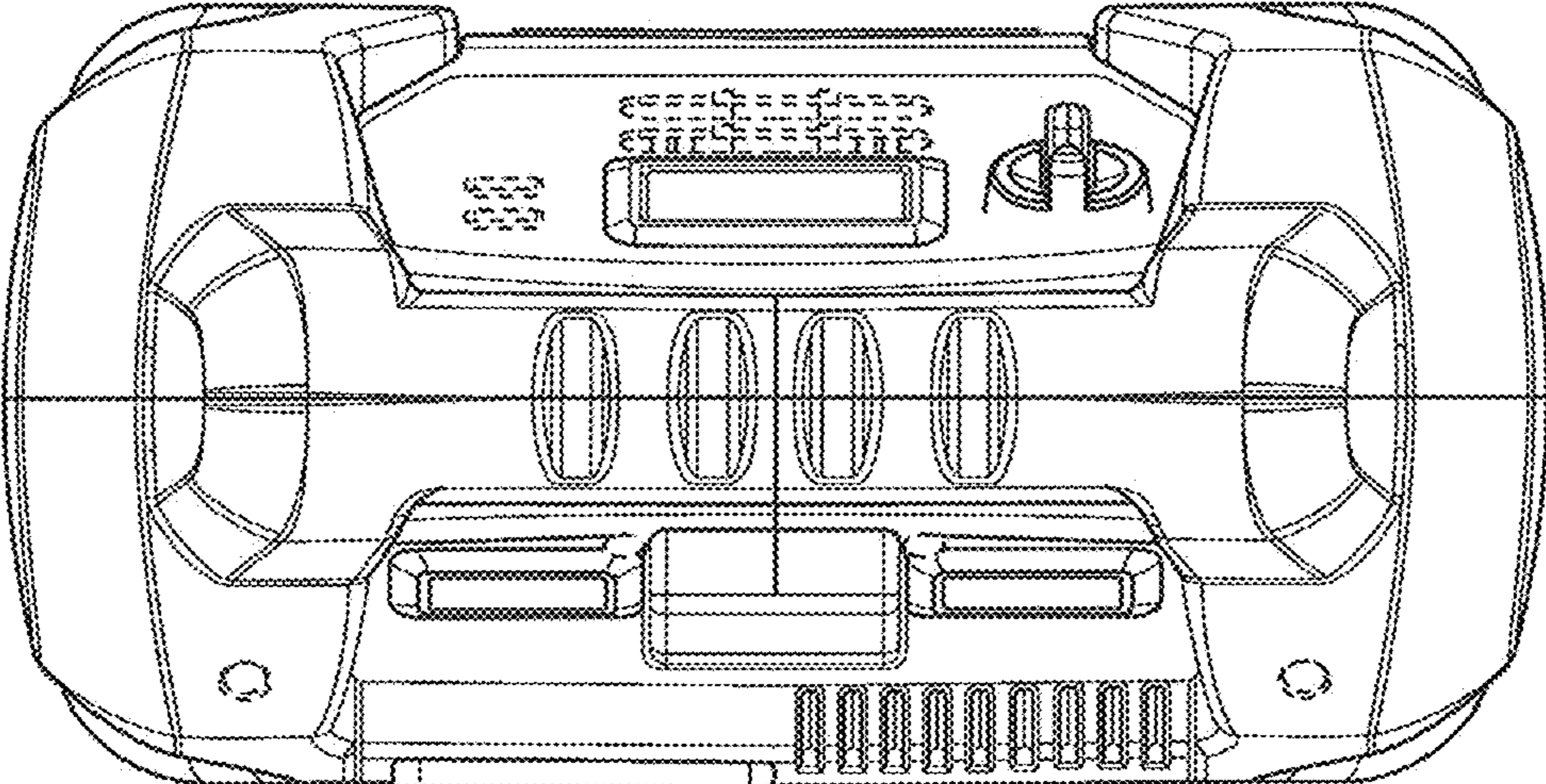


FIG. 6

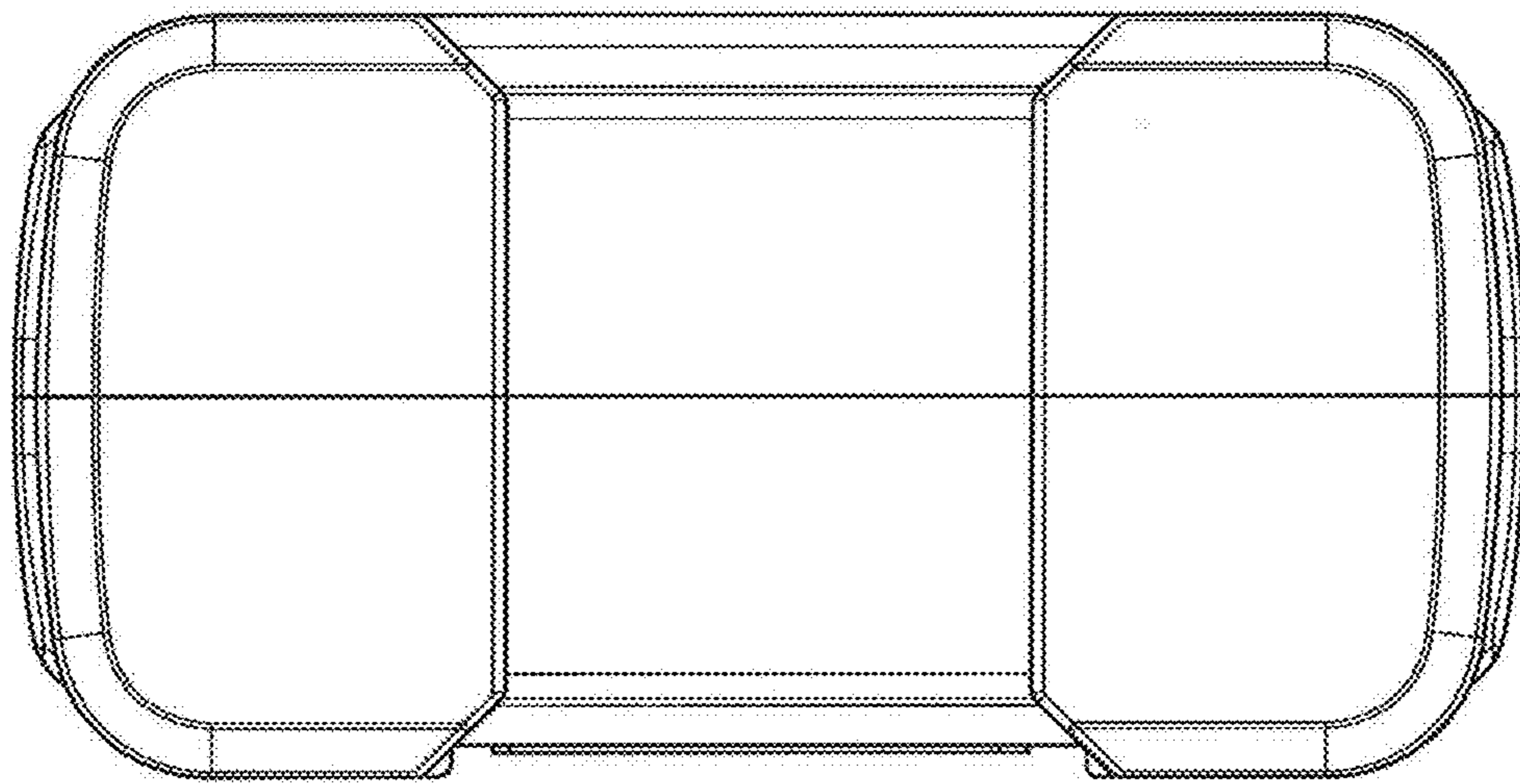


FIG. 7

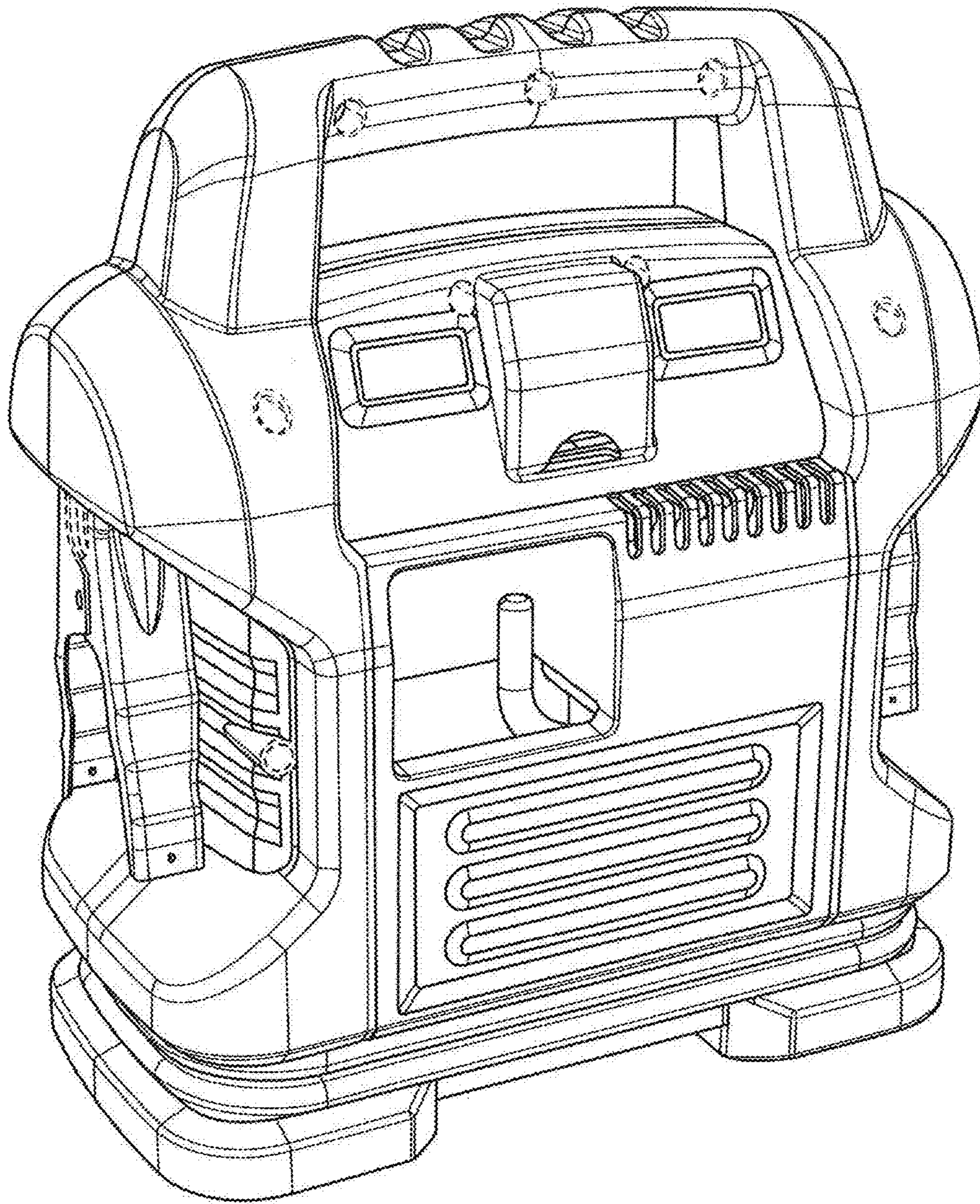


FIG. 8