



US00D833385S

(12) **United States Design Patent**
Inskeep

(10) **Patent No.:** **US D833,385 S**

(45) **Date of Patent:** **** *Nov. 13, 2018**

(54) **POWER STATION**

(71) Applicant: **Mathew Inskeep**, Highland Beach, FL
(US)

(72) Inventor: **Mathew Inskeep**, Highland Beach, FL
(US)

(*) Notice: This patent is subject to a terminal disclaimer.

(**) Term: **15 Years**

(21) Appl. No.: **29/585,084**

(22) Filed: **Nov. 21, 2016**

(51) **LOC (11) Cl.** **13-02**

(52) **U.S. Cl.**
USPC **D13/107; D15/9**

(58) **Field of Classification Search**
USPC D13/102-108, 110, 118-119, 184, 199;
D14/251, 253, 432, 434; D15/9
CPC Y02E 60/12; Y02E 60/122; Y02E 60/124;
Y02E 60/50; H01M 2/02; H01M 2/022;
H01M 2/0202; H01M 2/0207; H01M
2/0212; H01M 2/1061; H01M 2/1022;
H01M 2/1055; H01M 2/1066; H01M
2/105; H01M 2/204; H01M 10/4257;
H01M 10/0436; H01M 10/48; Y02T
10/7005; Y02T 10/705; Y02T 10/7088;
H02J 7/0034; H02J 7/0054; H02J 7/1423;
H02J 2001/006

See application file for complete search history.

(56) **References Cited**

U.S. PATENT DOCUMENTS

D589,985 S * 4/2009 Steinfelds D15/9
D601,495 S * 10/2009 Shum D13/107

D601,496 S * 10/2009 Shum D13/107
D609,633 S * 2/2010 Daniels D13/107
D653,204 S * 1/2012 Whiting D13/107
D654,863 S * 2/2012 Whiting D13/107
D654,865 S * 2/2012 DuMelle D13/107
D684,116 S * 6/2013 Inskeep D13/107
D702,181 S * 4/2014 Maki D13/107
D742,308 S * 11/2015 James D13/107
D749,643 S * 2/2016 Craig D15/9
D762,167 S * 7/2016 Inskeep D13/107
D781,783 S * 3/2017 Inskeep D13/107

* cited by examiner

Primary Examiner — Robert M. Spear
Assistant Examiner — Alison M Ofstun

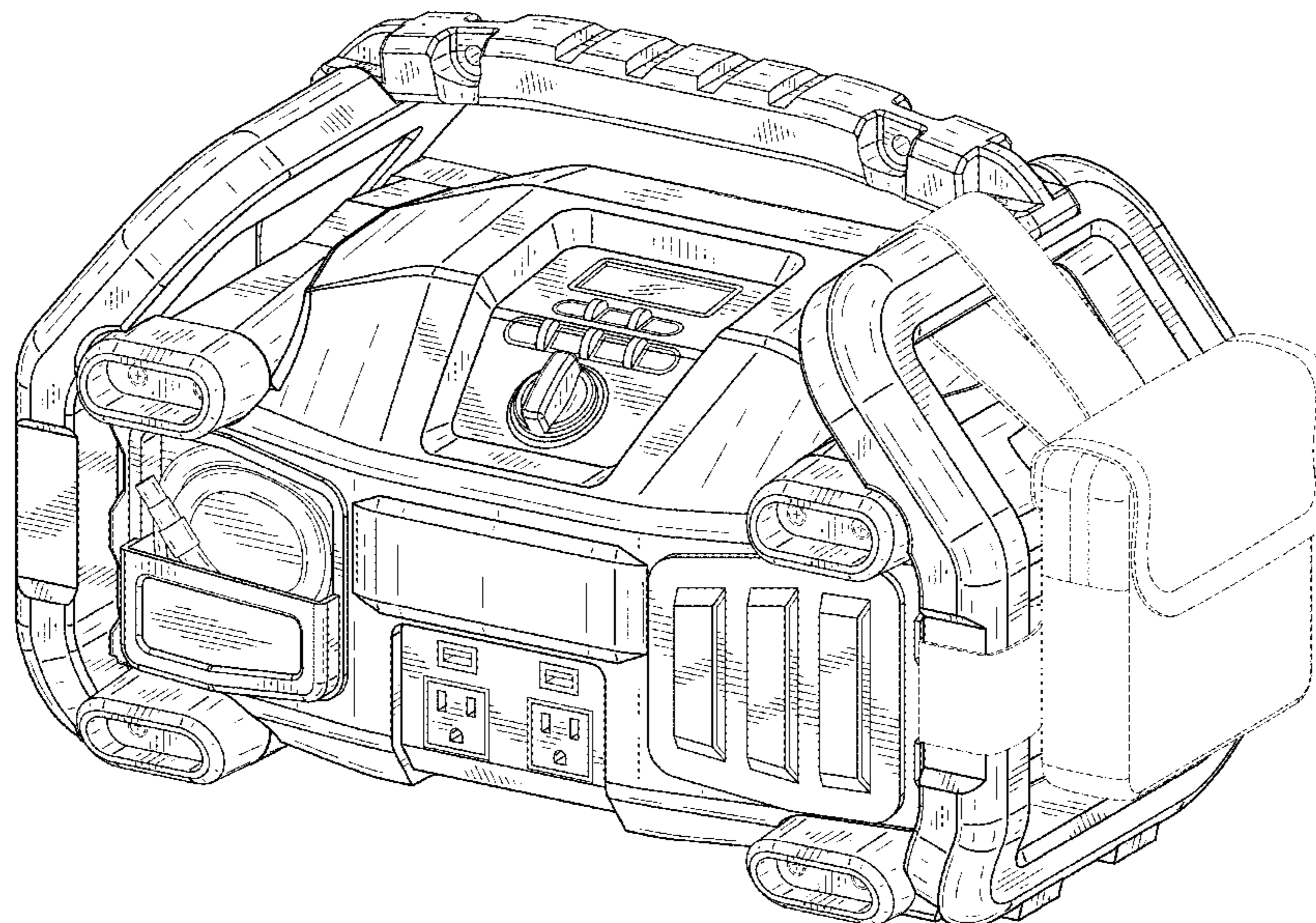
(57) **CLAIM**

I claim the ornamental design for a power station, as shown and described.

DESCRIPTION

FIG. 1 is a perspective view of the power station showing my new design.
FIG. 2 is a back facing, bottom perspective view thereof.
FIG. 3 is a back view thereof with the compressor hose exposed and plug exposed.
FIG. 4 is a front facing, bottom perspective view with compressor hose exposed.
FIG. 5 is a front view thereof.
FIG. 6 is a back view thereof.
FIG. 7 is a left side view thereof.
FIG. 8 is a right side view thereof.
FIG. 9 is a top view thereof; and,
FIG. 10 is bottom view thereof.
In the drawings, the broken lines illustrate environmental subject matter and form no part of the claimed design.

1 Claim, 10 Drawing Sheets



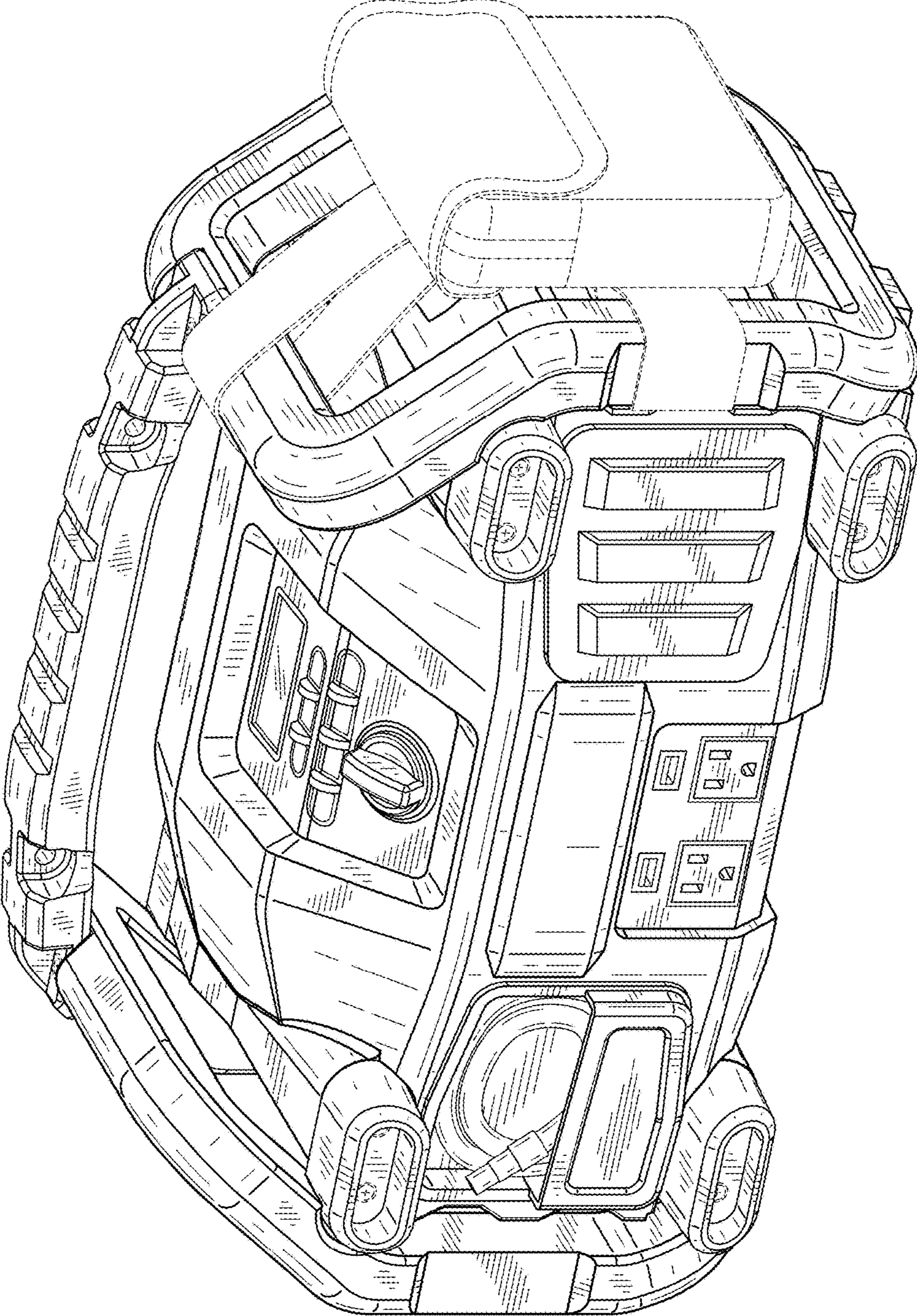


FIG. 1

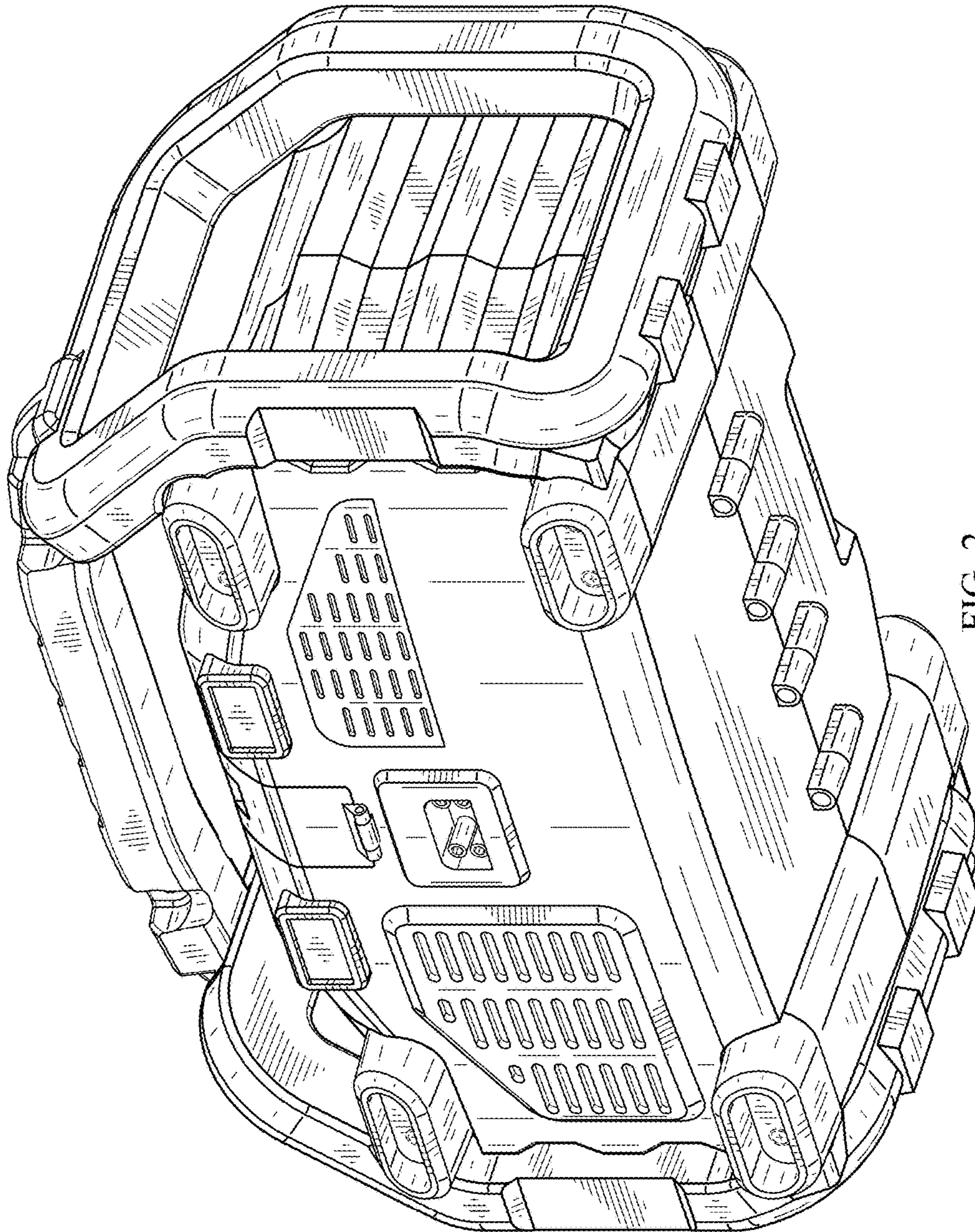


FIG. 2

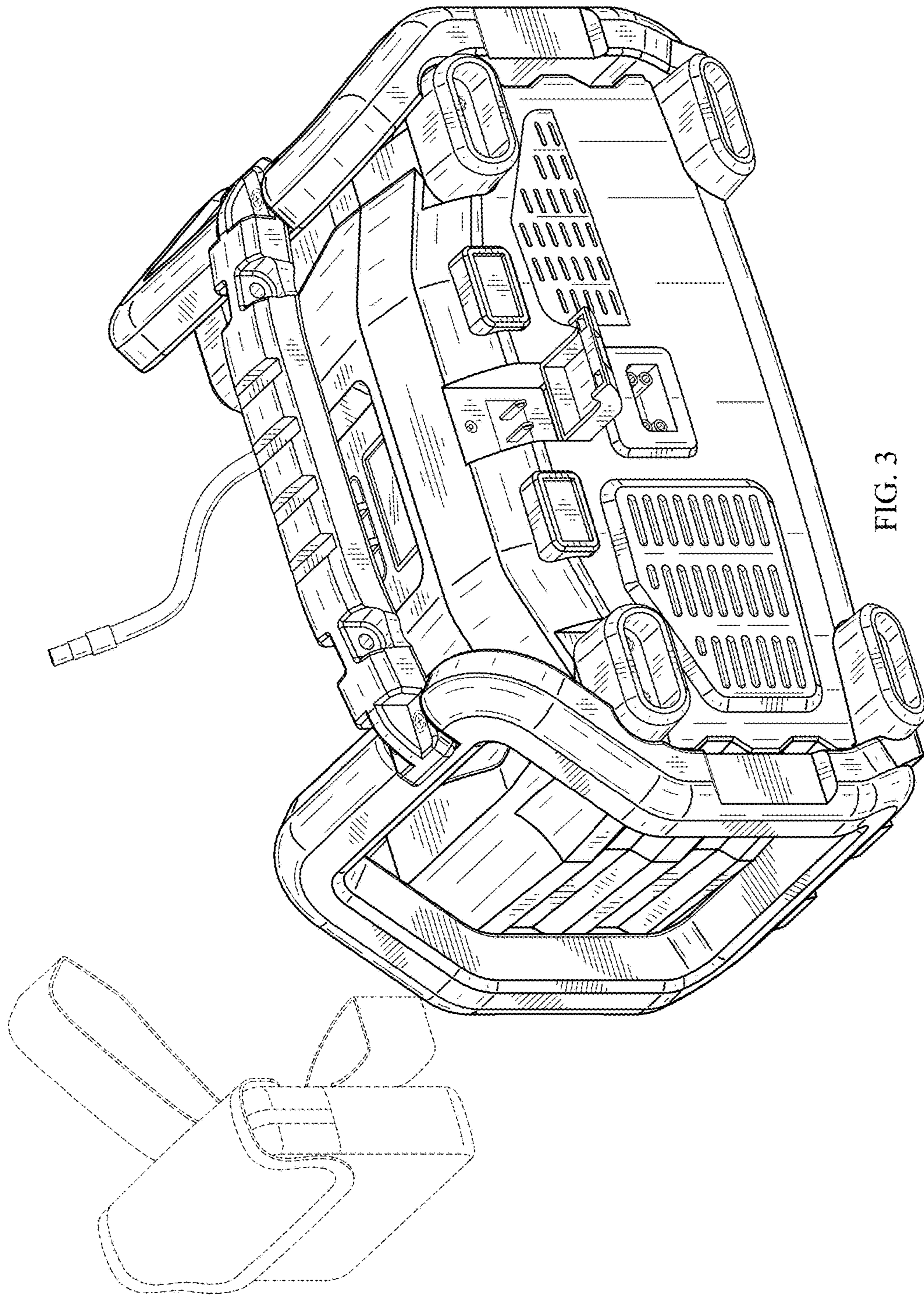


FIG. 3

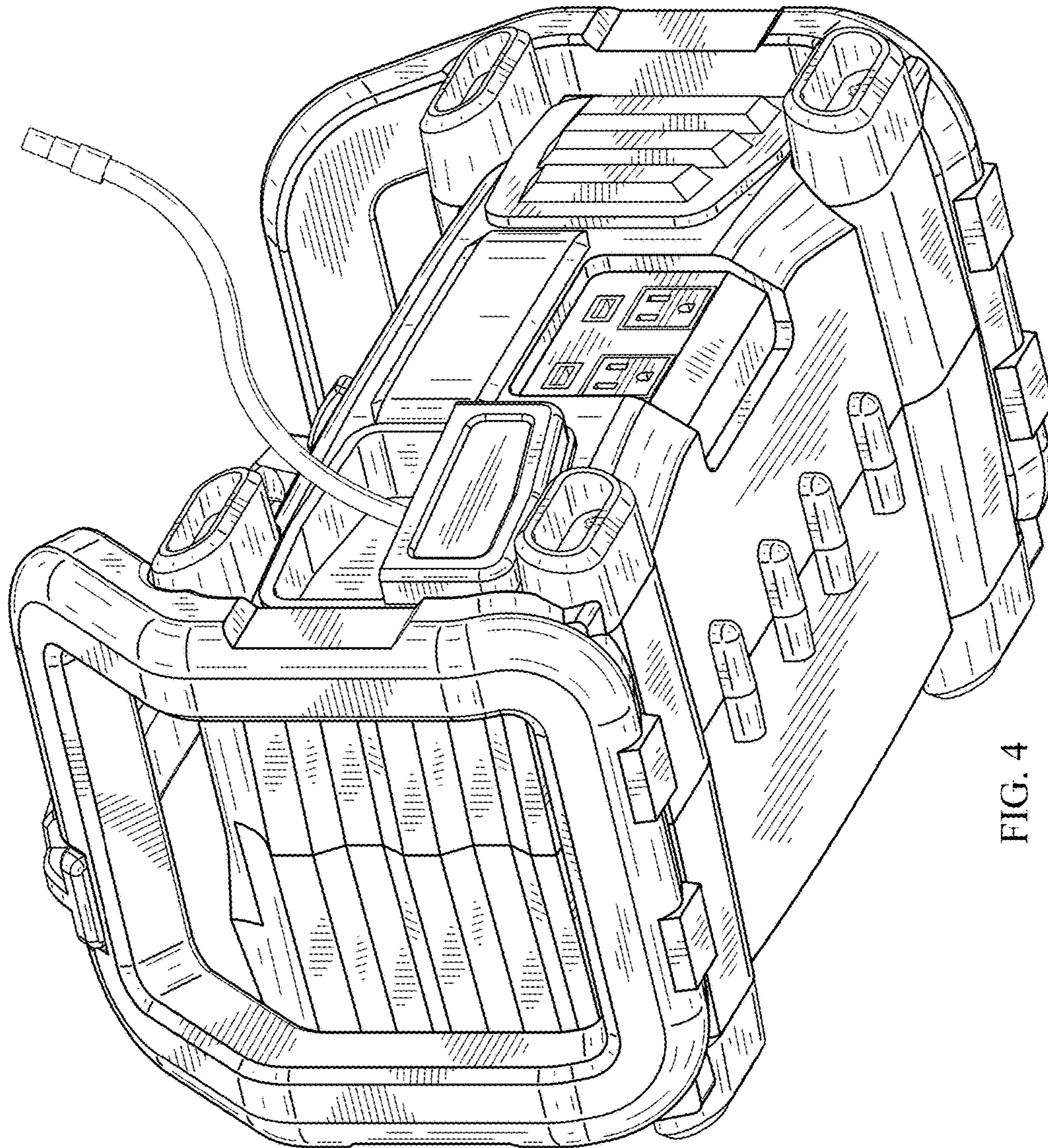


FIG. 4

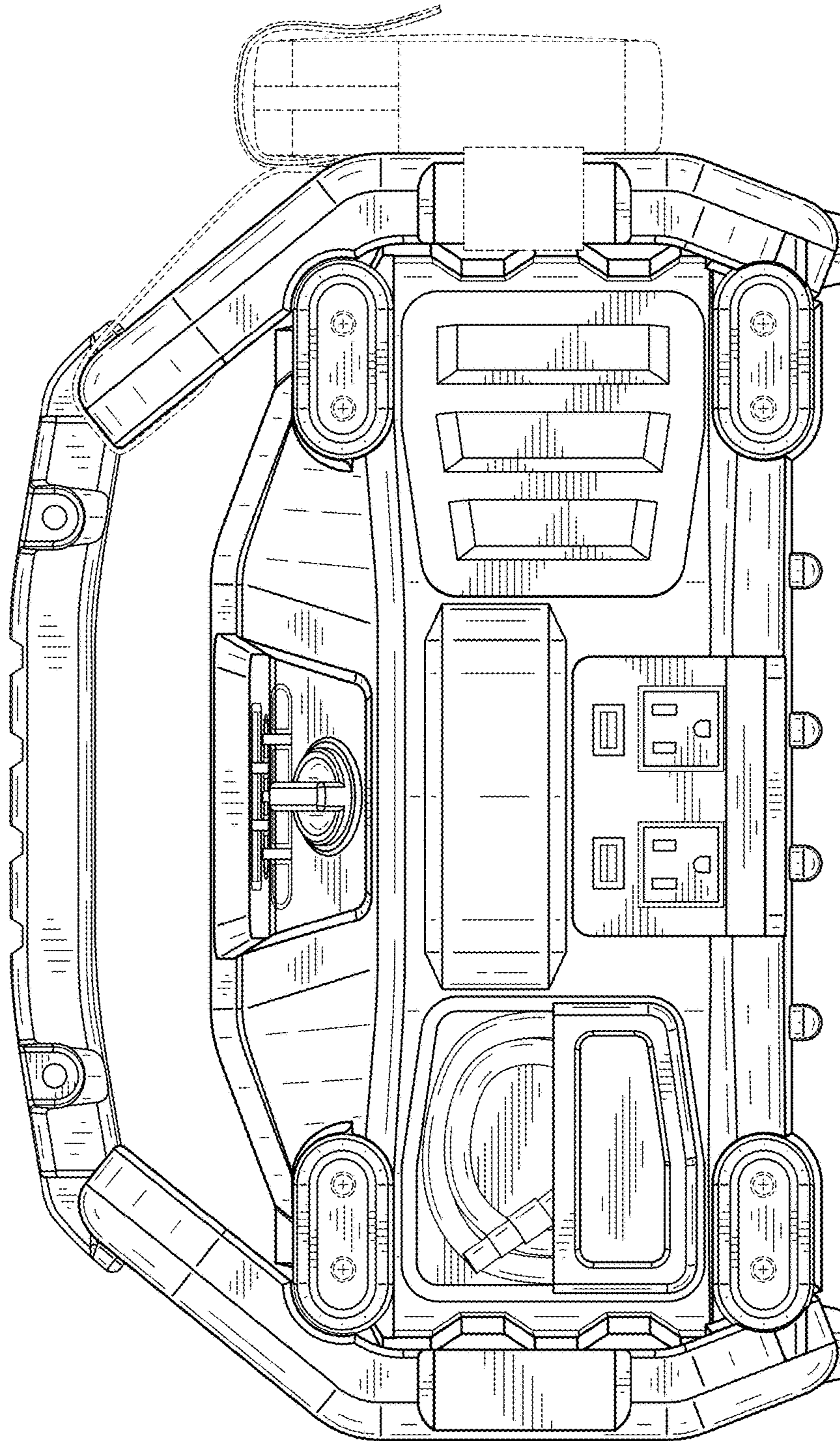


FIG. 5

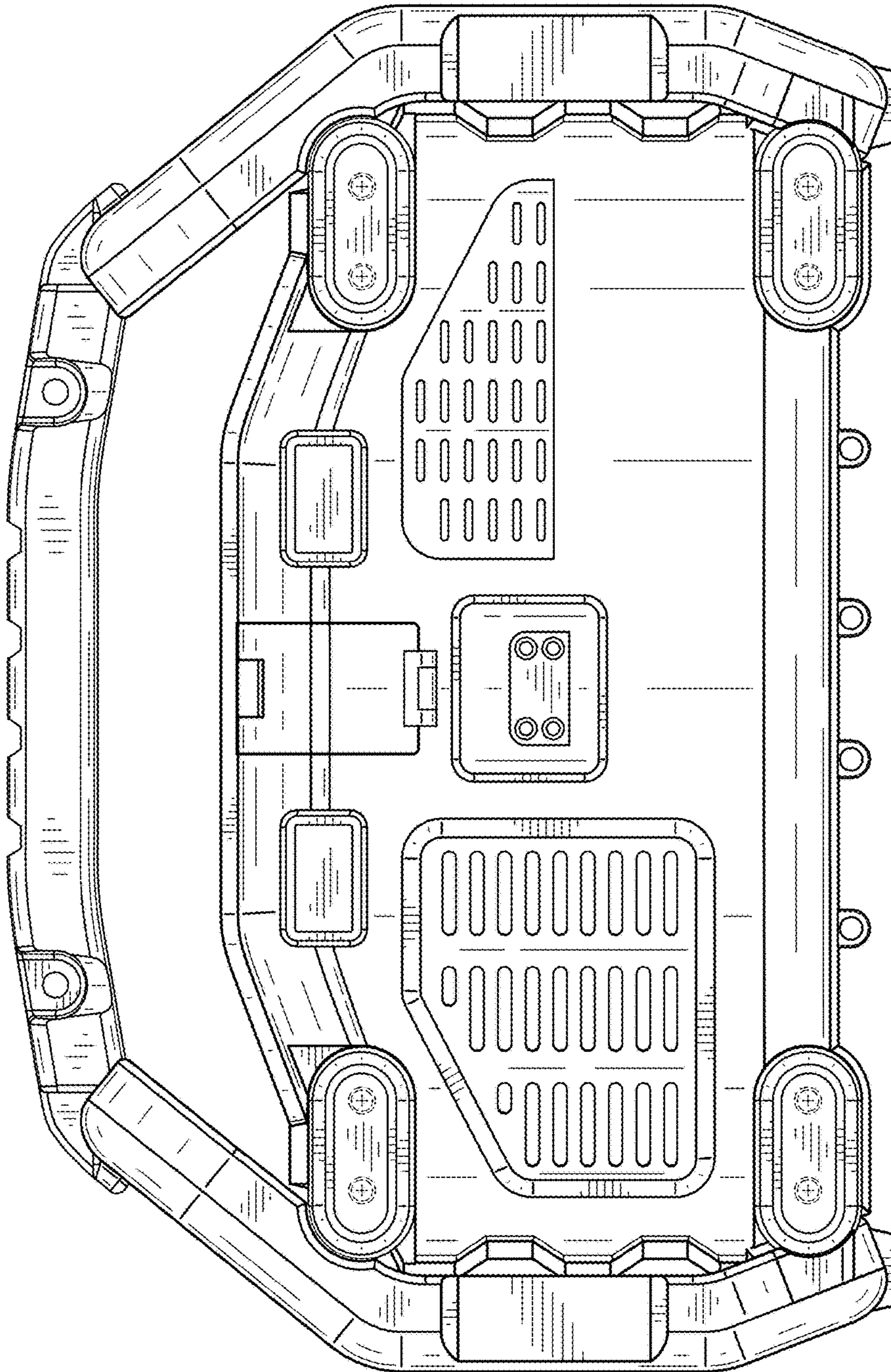


FIG. 6

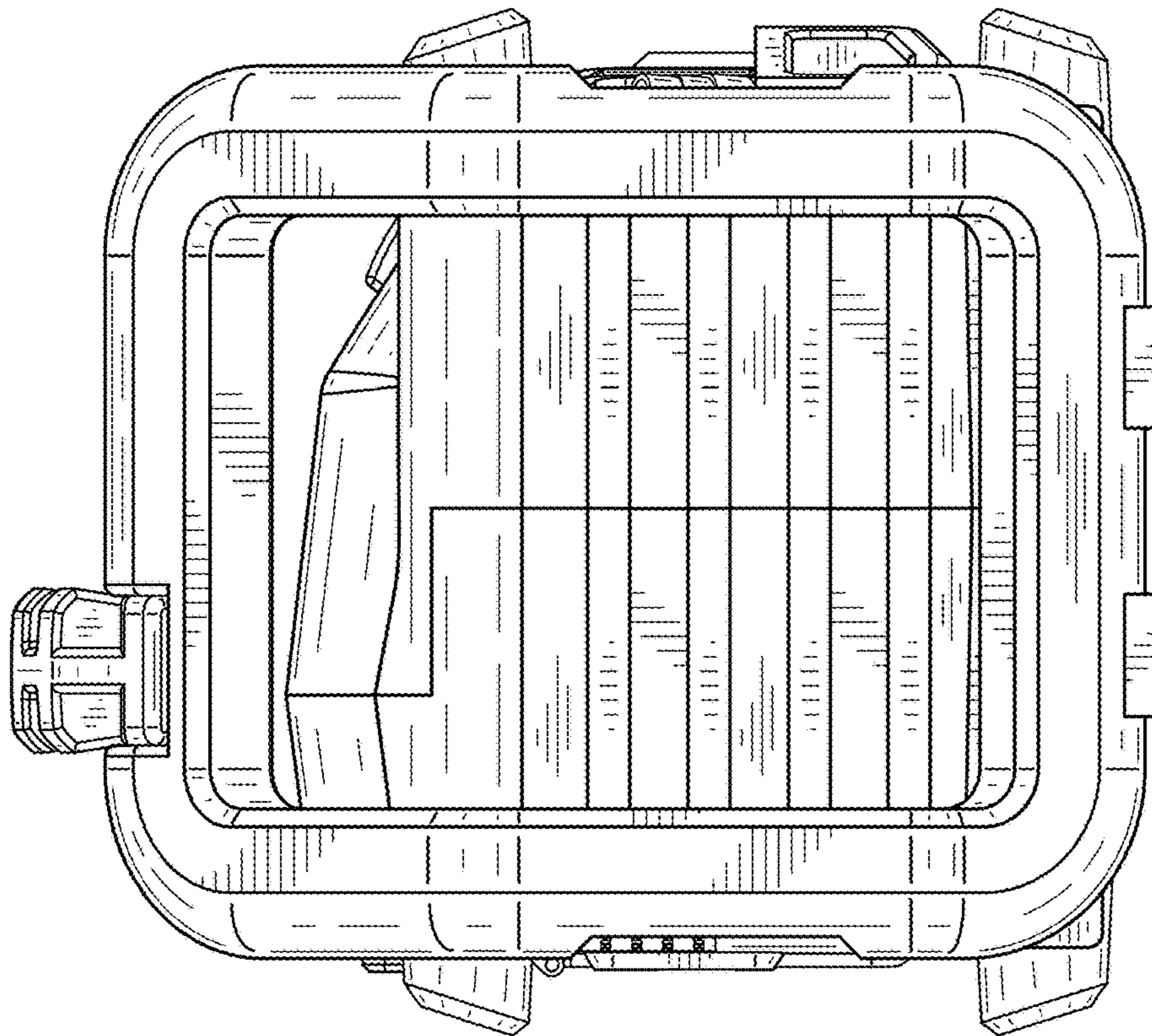


FIG. 7

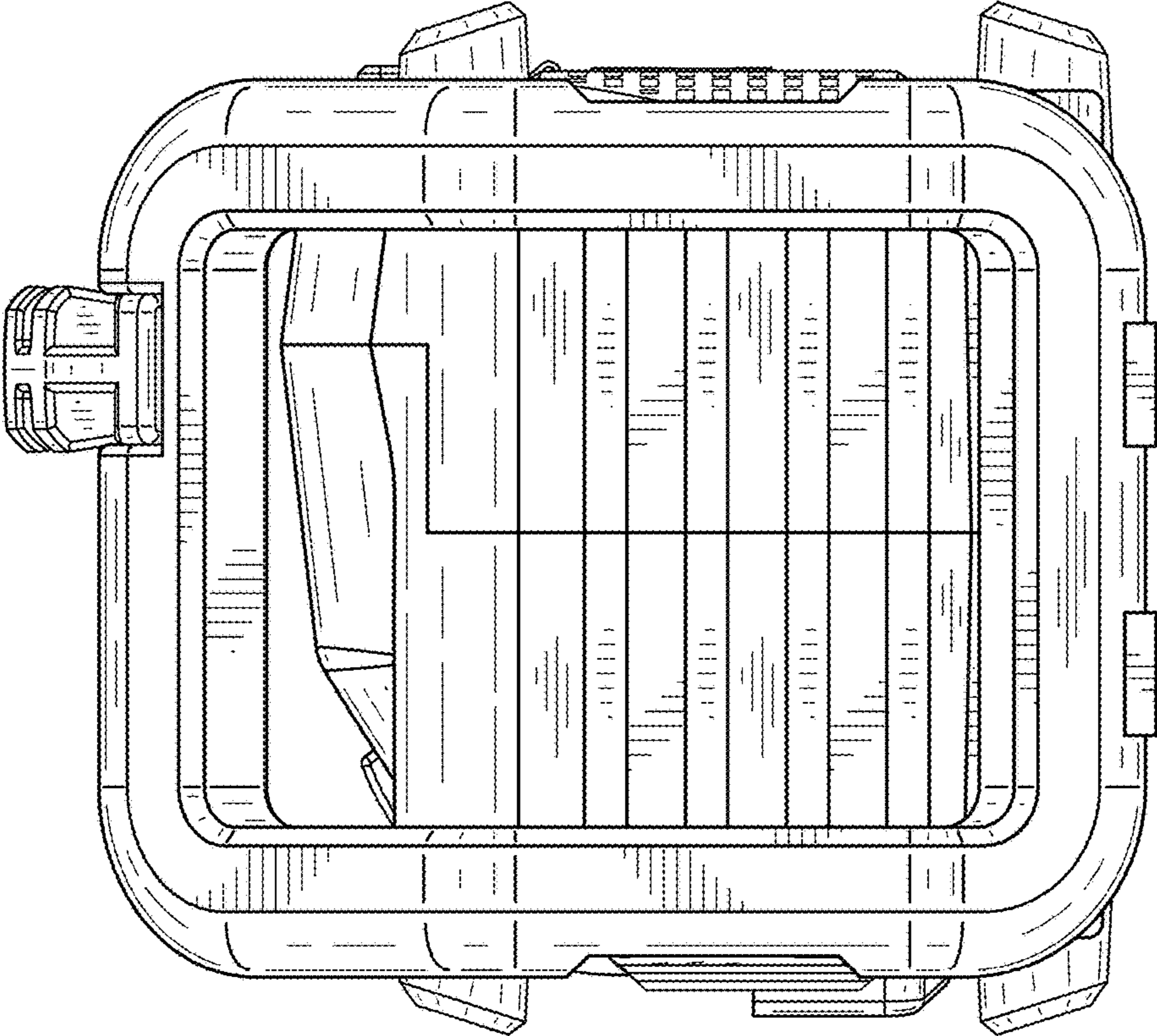


FIG. 8

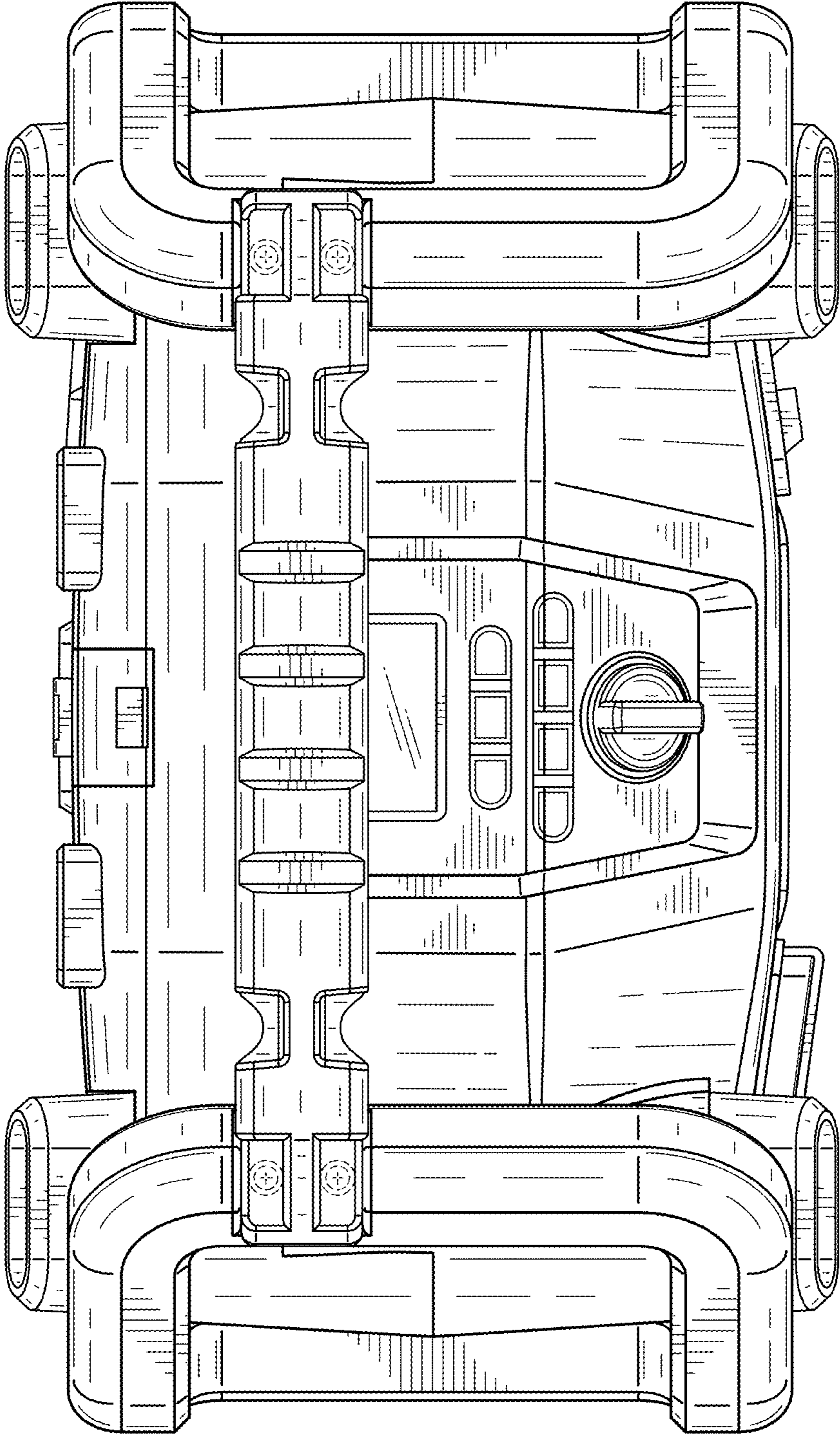


FIG. 9

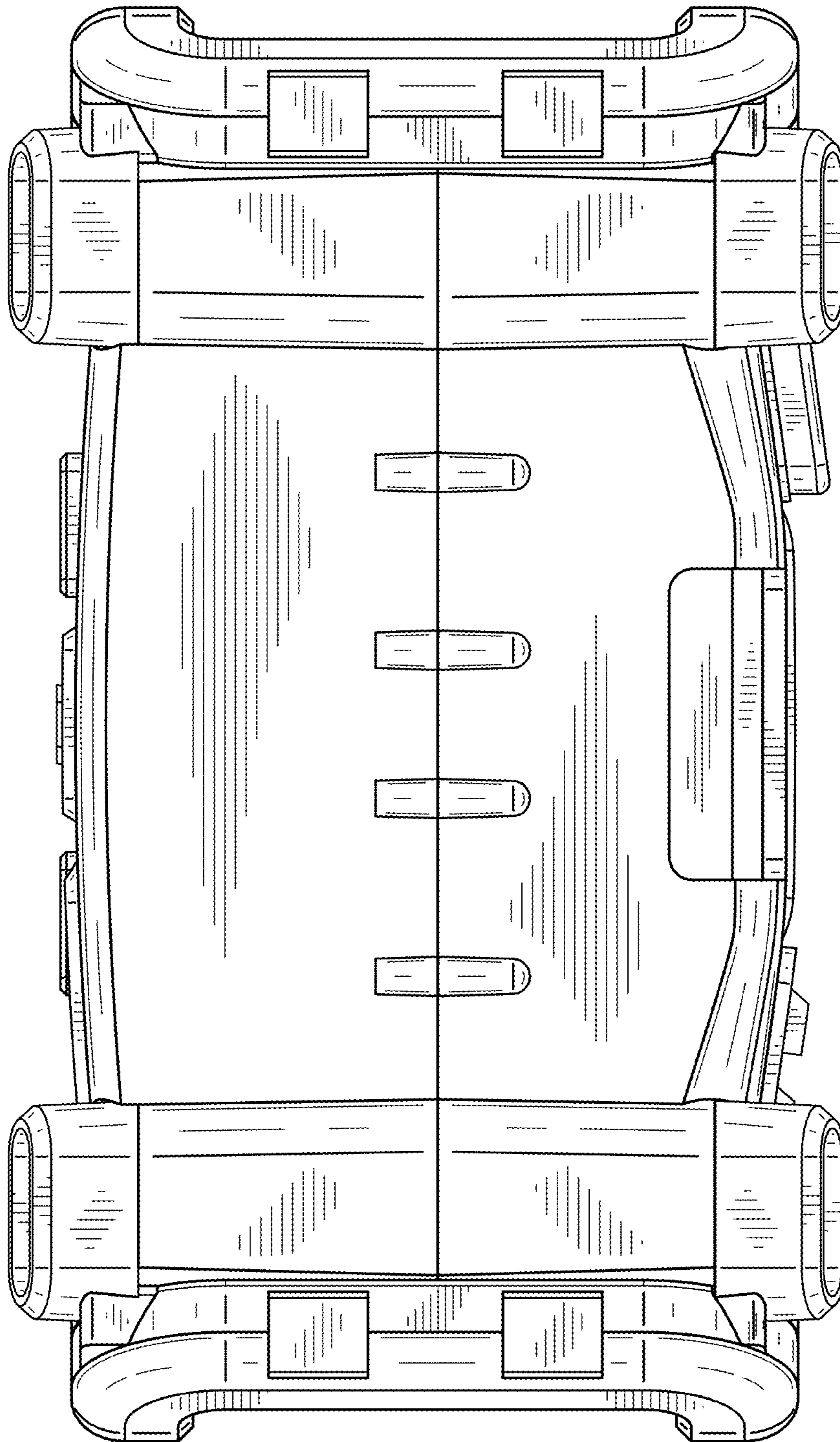


FIG. 10