



US00D833378S

(12) **United States Design Patent**
Gohara

(10) **Patent No.:** **US D833,378 S**

(45) **Date of Patent:** **** Nov. 13, 2018**

(54) **AUTOMOBILE TIRE**

(71) Applicant: **THE YOKOHAMA RUBBER CO., LTD.**, Minato-ku, Tokyo (JP)

(72) Inventor: **Takafumi Gohara**, Hiratsuka (JP)

(73) Assignee: **THE YOKOHAMA RUBBER CO., LTD.**, Minato-ku, Tokyo (JP)

(**) Term: **15 Years**

(21) Appl. No.: **29/612,084**

(22) Filed: **Jul. 28, 2017**

(30) **Foreign Application Priority Data**

Jan. 30, 2017 (JP) 2017-001529

(51) **LOC (11) Cl.** **12-15**

(52) **U.S. Cl.**
USPC **D12/594**

(58) **Field of Classification Search**
USPC D12/568-604
CPC Y10T 152/10027; B60C 1/0016; B60C 11/0306; B60C 11/0302; B60C 3/06; B60C 9/17

See application file for complete search history.

(56) **References Cited**

U.S. PATENT DOCUMENTS

D377,000 S	*	12/1996	Kukimoto	D12/601
D480,351 S	*	10/2003	Dixon	D12/601
D541,731 S	*	5/2007	Maziarka	D12/528
D601,950 S	*	10/2009	Pressley	D12/588
D619,087 S	*	7/2010	Scheuren	D12/601
D648,265 S	*	11/2011	Kim	D12/588
D669,423 S	*	10/2012	Fujioka	D12/594
D710,294 S	*	8/2014	Dixon	D12/588
D735,644 S	*	8/2015	Honda	D12/588
D740,210 S	*	10/2015	Uphouse	D12/595

D742,813 S	*	11/2015	Tian	D12/601
D763,174 S	*	8/2016	Koog	D12/568
D770,368 S	*	11/2016	Nakahara	D12/594
D784,915 S	*	4/2017	Koog	D12/588
D789,876 S	*	6/2017	Lamb	D12/588
D794,550 S	*	8/2017	Schimmoller, Jr.	D12/594
D805,463 S	*	12/2017	Akashi	D12/594
D811,992 S	*	3/2018	Di-Mauro	D12/588
D813,797 S	*	3/2018	Dixon	D12/588
D815,020 S	*	4/2018	Sareen	D12/588

* cited by examiner

Primary Examiner — Brandon M Rosati

Assistant Examiner — John A Voytek

(74) *Attorney, Agent, or Firm* — Banner & Witcoff, Ltd.

(57) **CLAIM**

The ornamental design for an automobile tire, as shown and described.

DESCRIPTION

FIG. 1 is a perspective view of an automobile tire showing my design;

FIG. 2 is a front view thereof;

FIG. 3 is a rear view thereof;

FIG. 4 is a right side view thereof;

FIG. 5 is a left side view thereof;

FIG. 6 is a top view thereof;

FIG. 7 is a bottom view thereof;

FIG. 8 is a partially enlarged view of a portion defined by lines 8-8 shown in FIG. 1;

FIG. 9 is a partially enlarged view of a portion defined by lines 9-9 shown in FIG. 2; and,

FIG. 10 is a cross sectional view of a portion defined by lines 10-10 shown in FIG. 9.

In the drawings, the broken lines depict environmental subject matter only and form no part of the claimed design.

The dot and dashed lines represents a boundary between the claimed portion and the non-claimed portion.

1 Claim, 10 Drawing Sheets

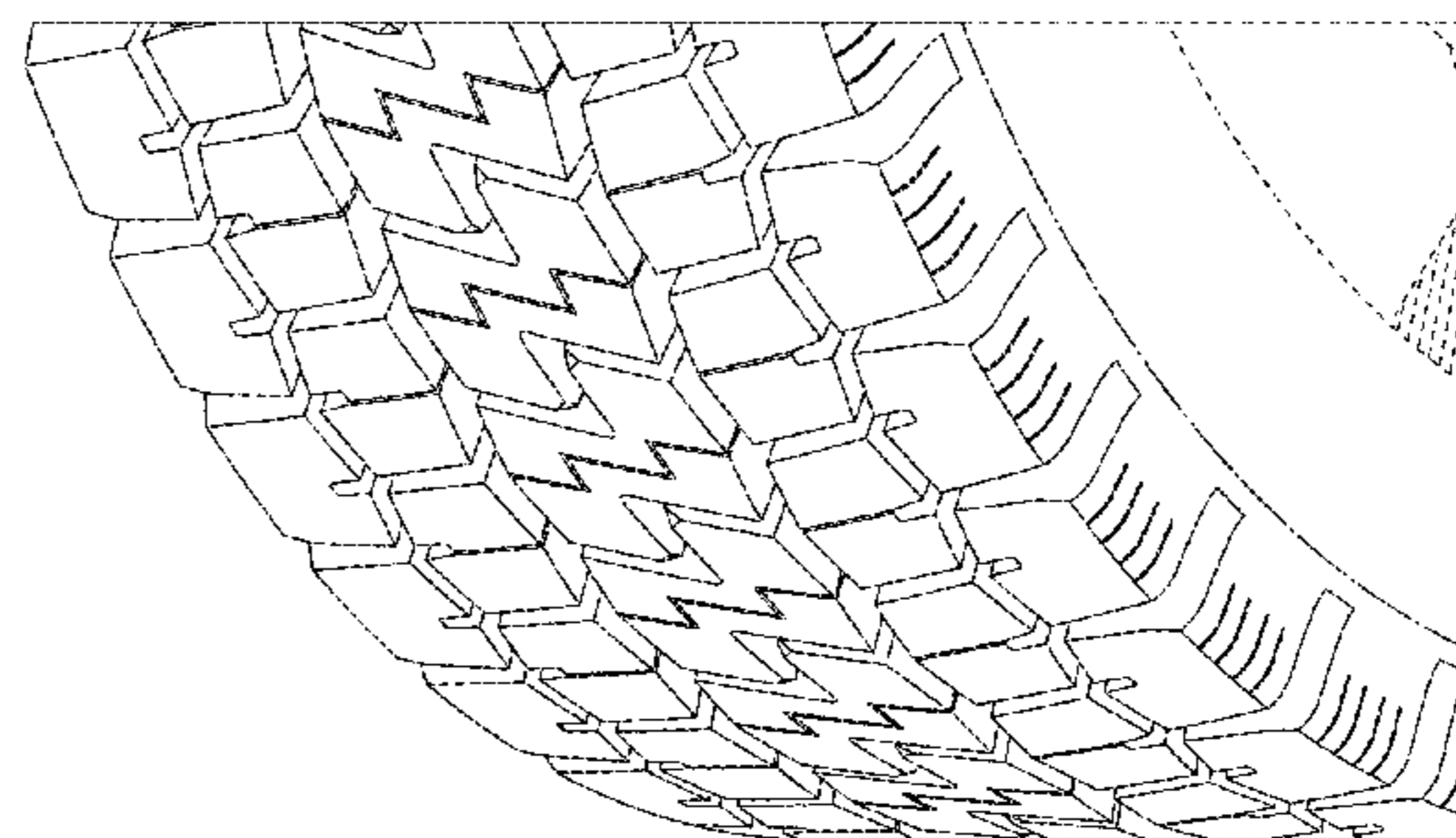
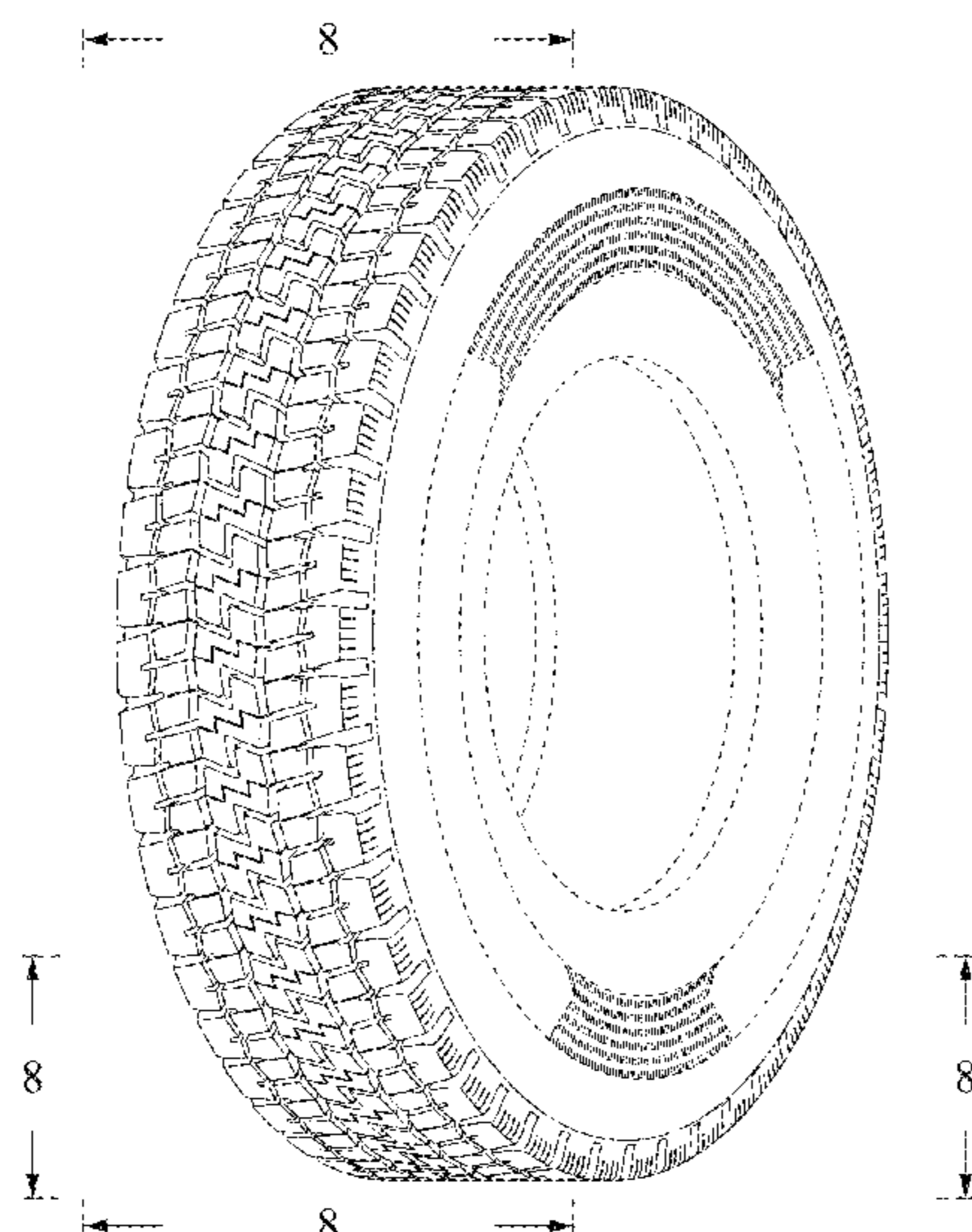


FIG. 1

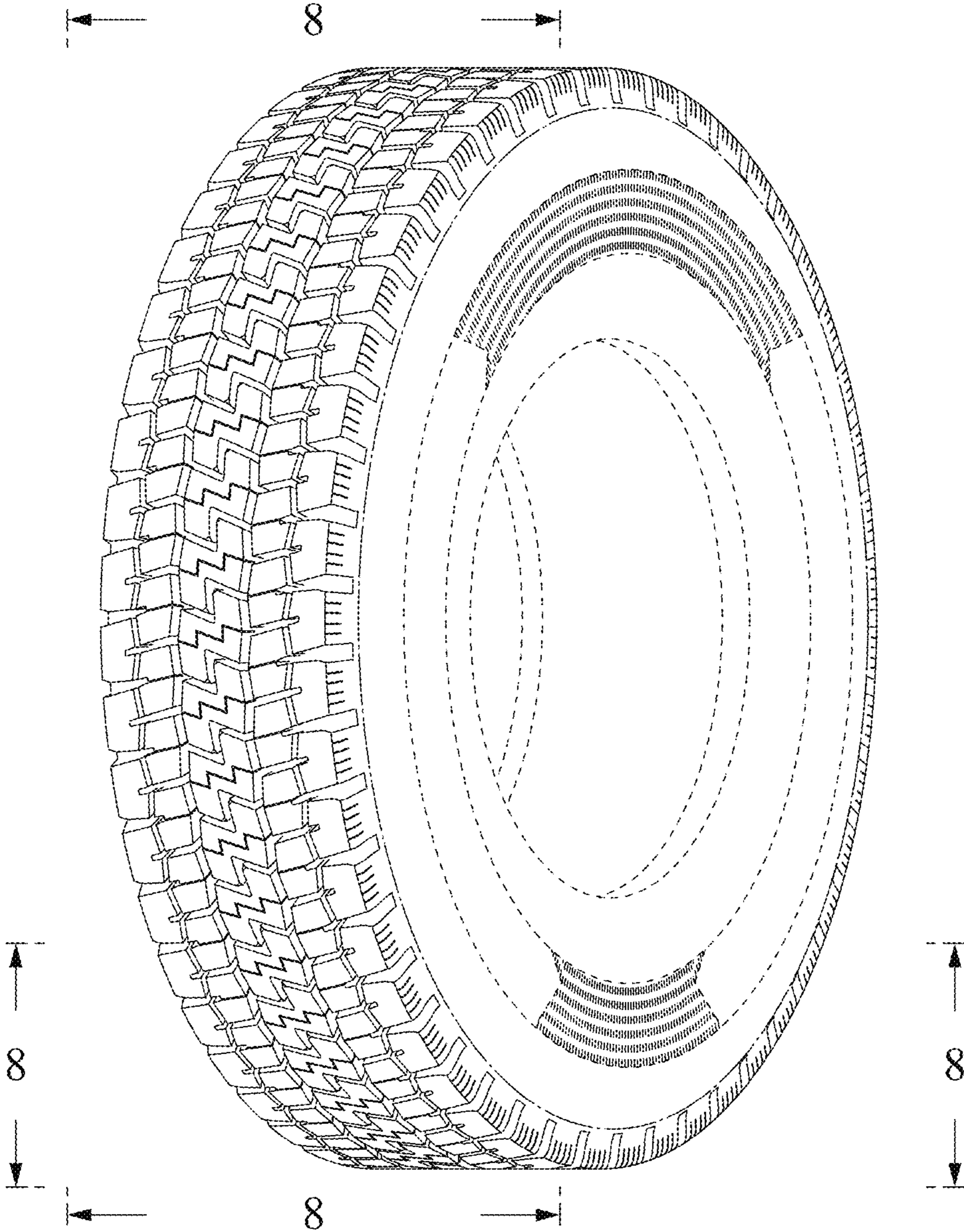


FIG. 2

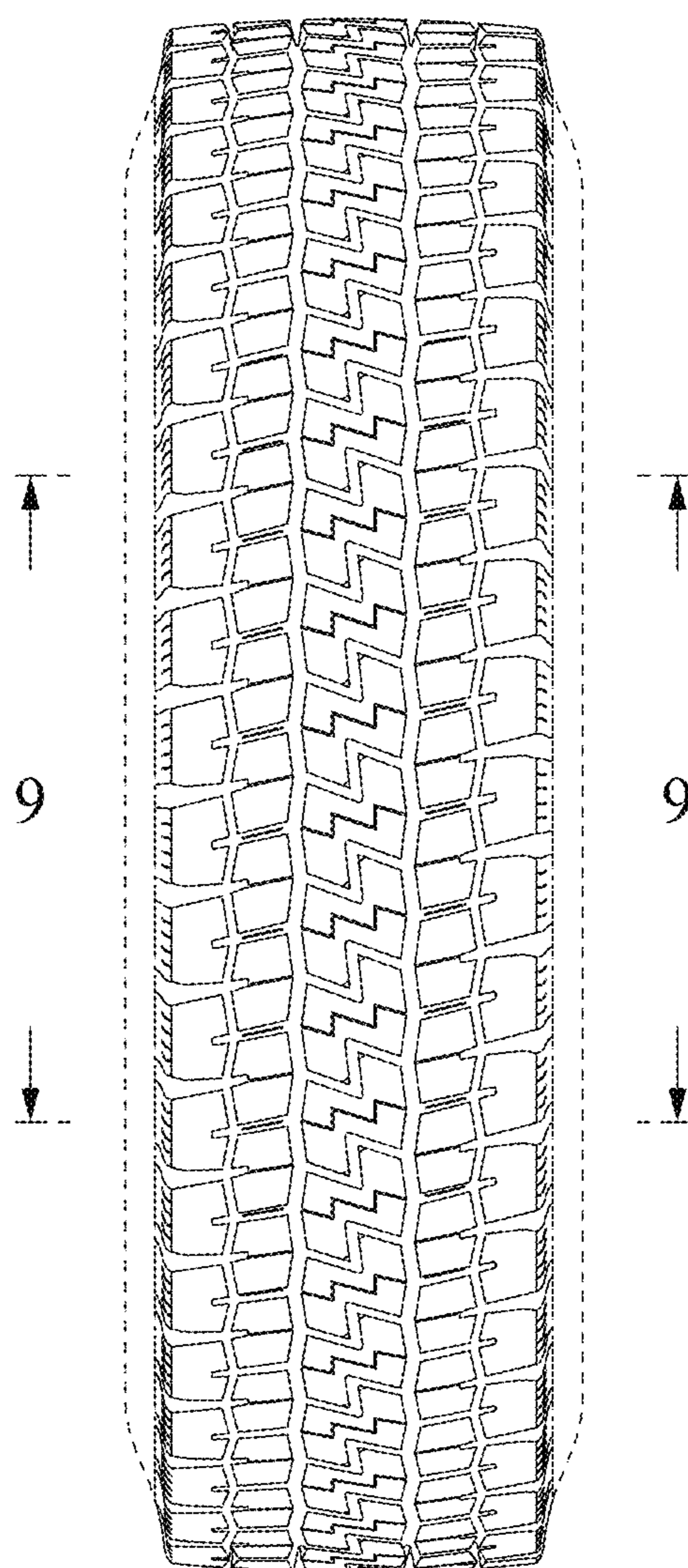


FIG. 3

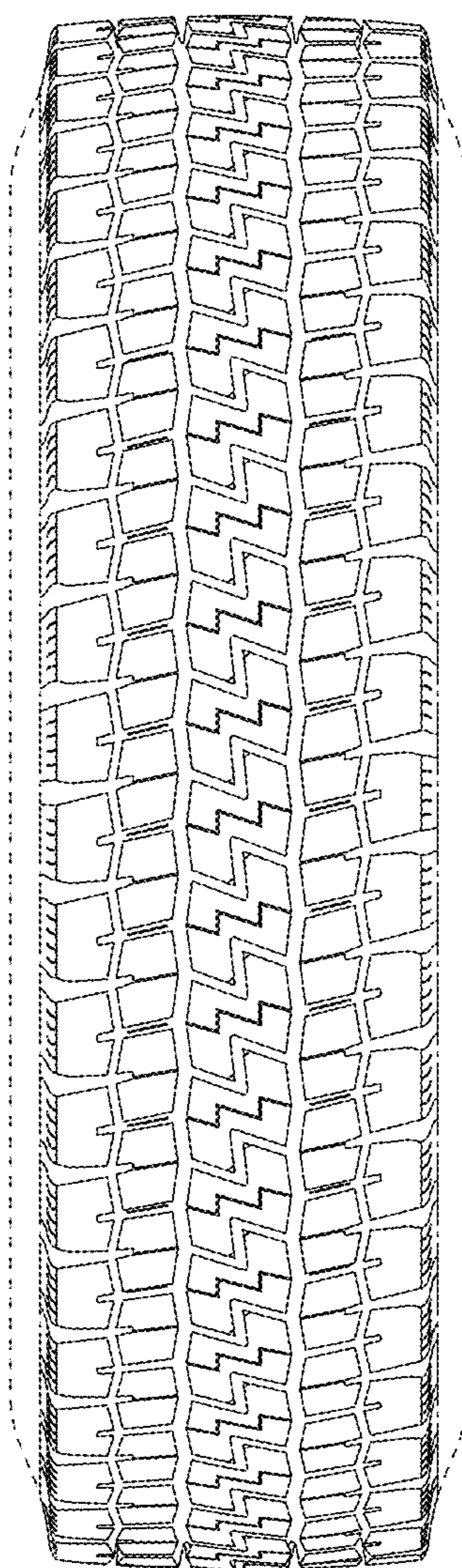


FIG. 4

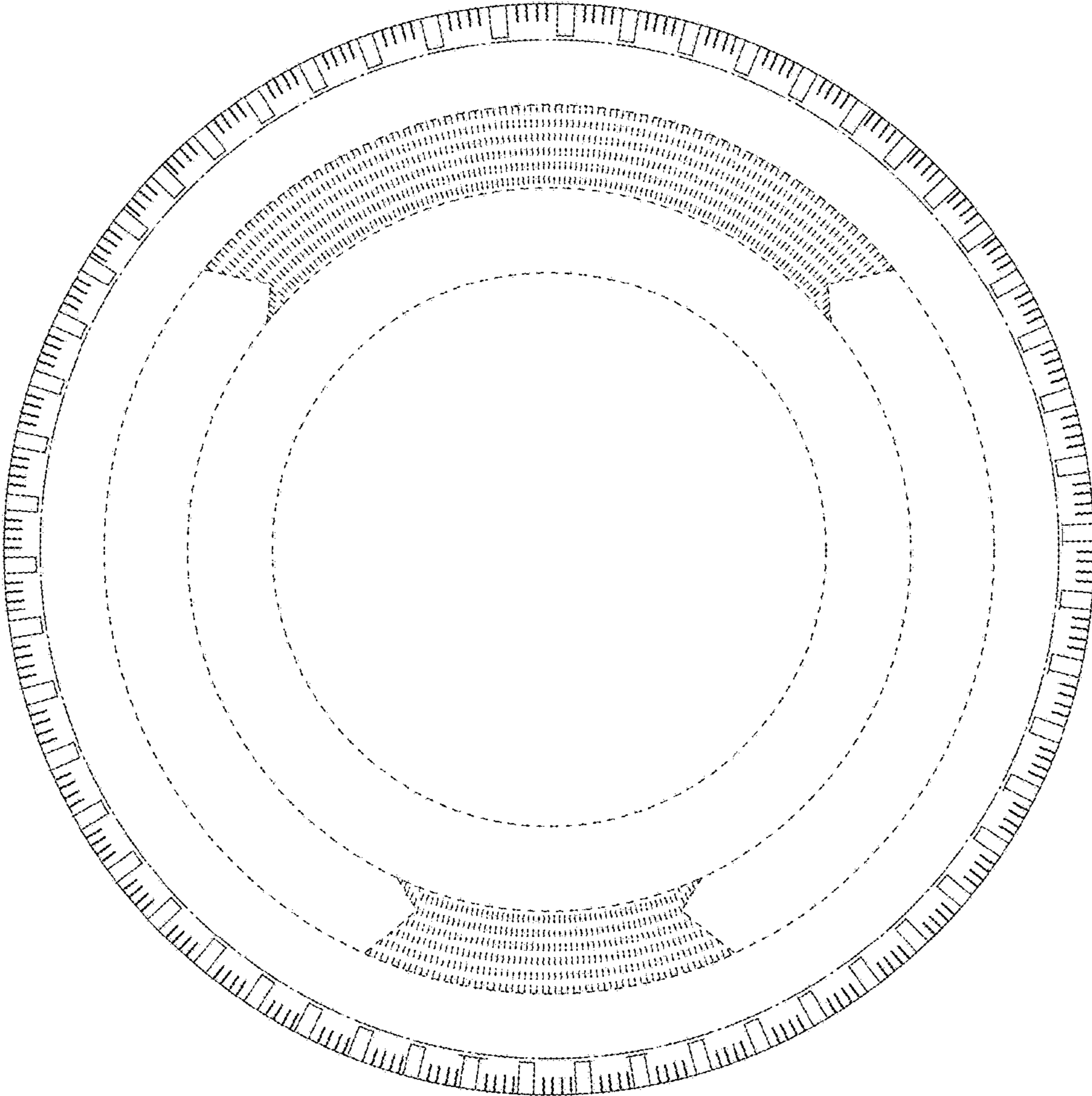


FIG. 5

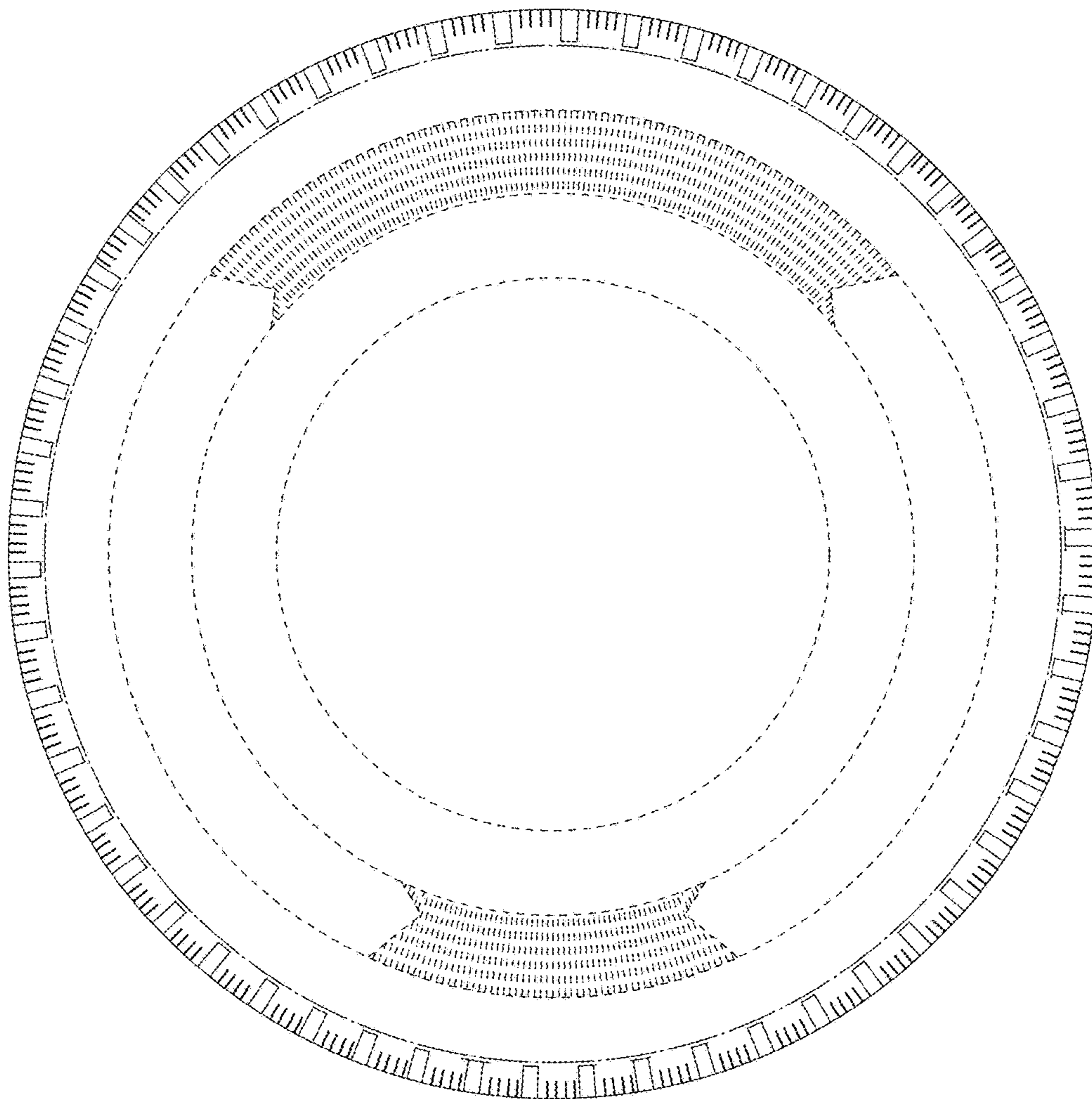


FIG. 6

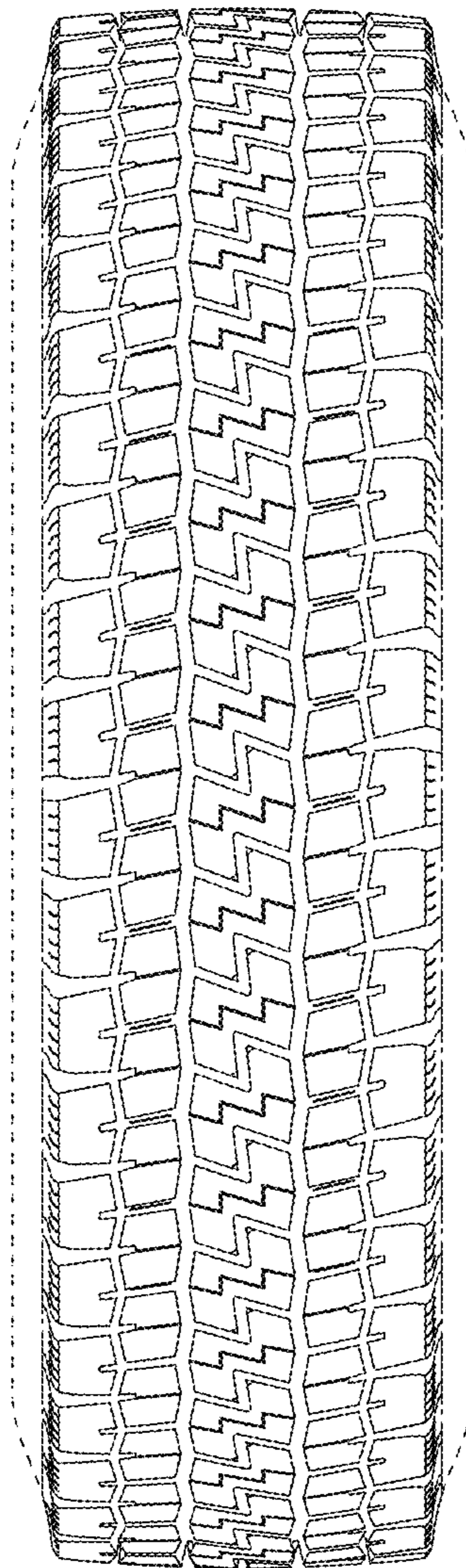


FIG. 7

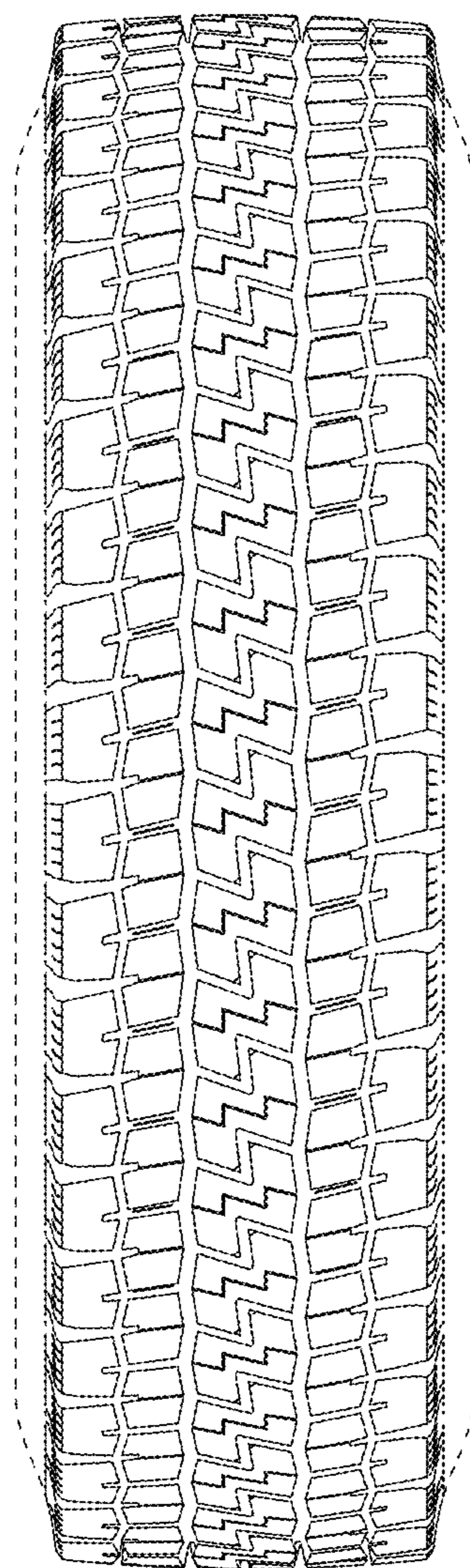


FIG. 8

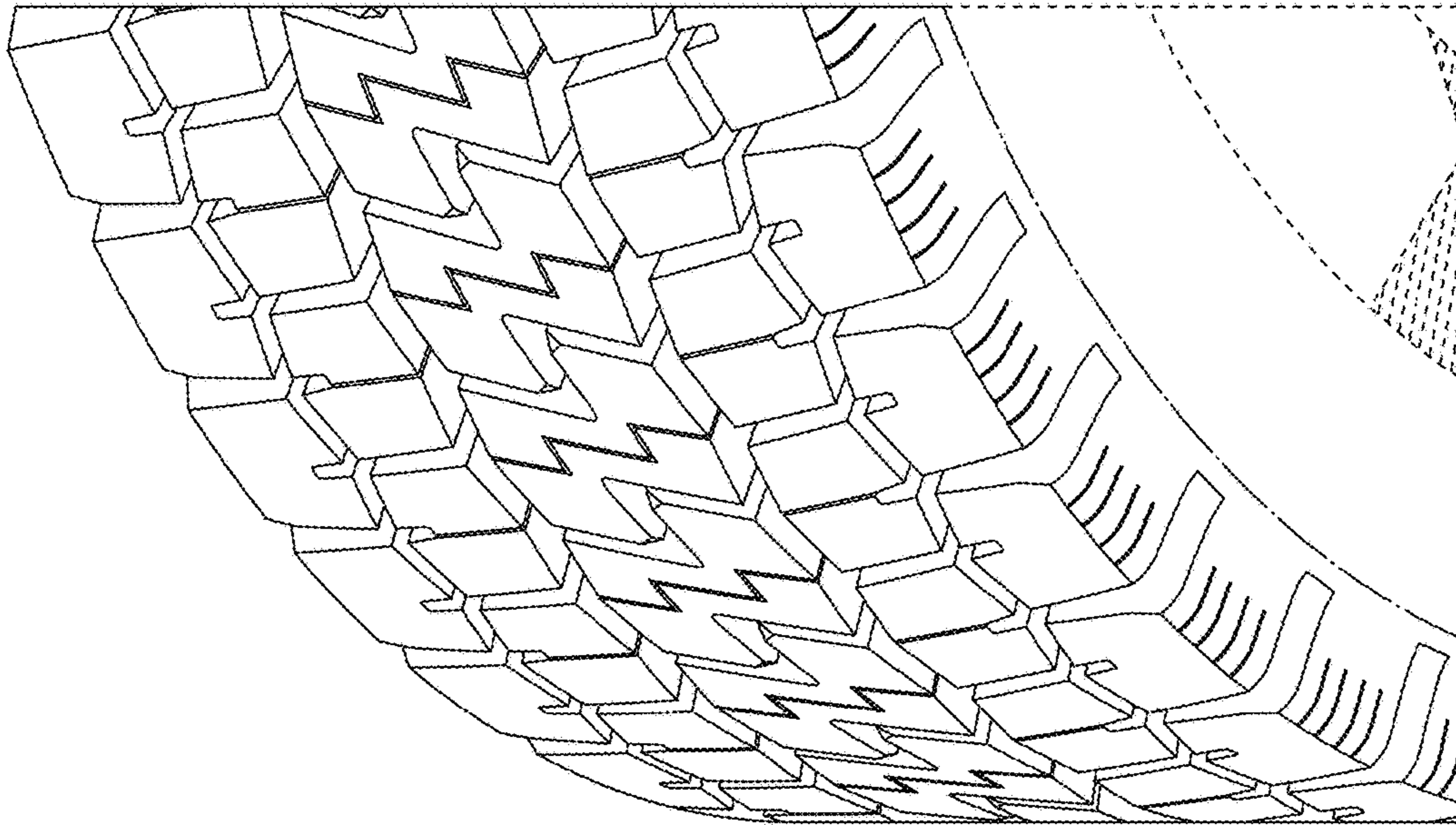


FIG. 9

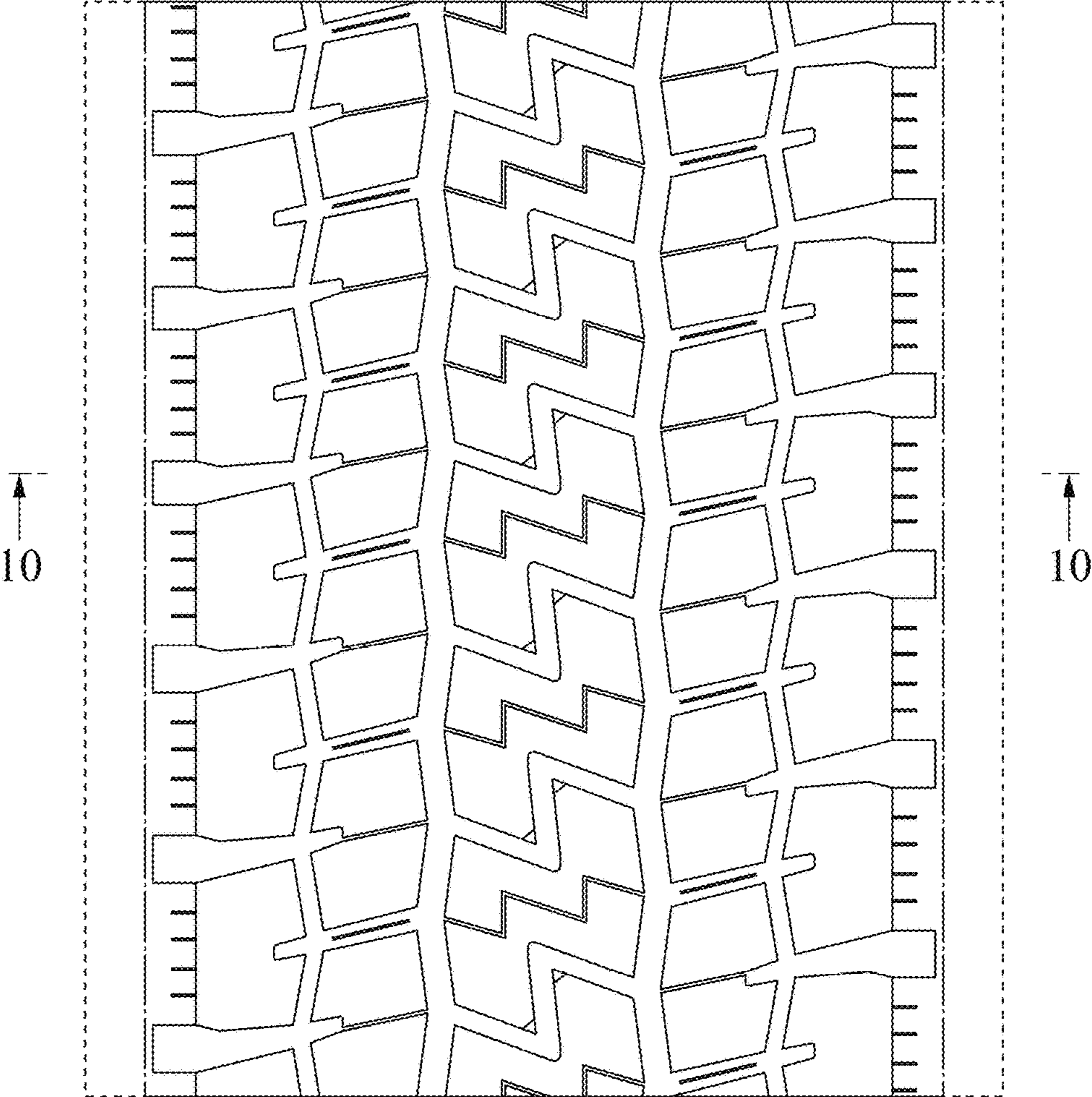


FIG. 10

