



US00D833372S

(12) **United States Design Patent**
Sugawara

(10) **Patent No.:** **US D833,372 S**

(45) **Date of Patent:** **** Nov. 13, 2018**

(54) **AUTOMOBILE TIRE**

(71) Applicant: **THE YOKOHAMA RUBBER CO., LTD.**, Minato-ku, Tokyo (JP)

(72) Inventor: **Naoko Sugawara**, Hiratsuka (JP)

(73) Assignee: **THE YOKOHAMA RUBBER CO., LTD.**, Minato-ku, Tokyo (JP)

(**) Term: **15 Years**

(21) Appl. No.: **29/590,029**

(22) Filed: **Jan. 6, 2017**

(30) **Foreign Application Priority Data**

Jul. 8, 2016 (JP) 2016-014601

(51) **LOC (11) Cl.** **12-15**

(52) **U.S. Cl.**
USPC **D12/530**

(58) **Field of Classification Search**
USPC D12/533-567, 900
CPC Y10T 152/10027; B60C 1/0016; B60C 11/0306; B60C 11/0302; B60C 3/06; B60C 9/17

See application file for complete search history.

(56) **References Cited**

U.S. PATENT DOCUMENTS

D453,730 S *	2/2002	Weber	D12/532
D559,766 S *	1/2008	Hirai	D12/519
D572,653 S *	7/2008	Knowles	D12/521
D596,556 S *	7/2009	Kuwano	D12/521
D649,508 S *	11/2011	Allison	D12/521

D701,164 S *	3/2014	Buresh	D12/523
D718,219 S *	11/2014	Berzins	D12/516
D733,636 S *	7/2015	Janesh	D12/520
D735,113 S *	7/2015	Schoeppner	D12/521
D735,114 S *	7/2015	Curtis	D12/521
D785,543 S *	5/2017	Suzuki	D12/520

* cited by examiner

Primary Examiner — Brandon M Rosati

Assistant Examiner — John A Voytek

(74) *Attorney, Agent, or Firm* — Banner & Witcoff, Ltd.

(57) **CLAIM**

The ornamental design for an automobile tire, as shown and described.

DESCRIPTION

FIG. 1 is a perspective view of an automobile tire showing my design;

FIG. 2 is a front view thereof;

FIG. 3 is a rear view thereof;

FIG. 4 is a right side view thereof;

FIG. 5 is a left side view thereof;

FIG. 6 is a top view thereof;

FIG. 7 is a bottom view thereof;

FIG. 8 is a partially enlarged view of a portion defined by lines 8-8 shown in FIG. 1;

FIG. 9 is a partially enlarged view of a portion defined by lines 9-9 shown in FIG. 2; and,

FIG. 10 is a cross sectional view of a portion defined by lines 10-10 shown in FIG. 9.

In the drawings, the broken lines depict environmental subject matter only and form no part of the claimed design. The dot and dashed lines define the bounds of the claimed design and form no part thereof.

1 Claim, 10 Drawing Sheets

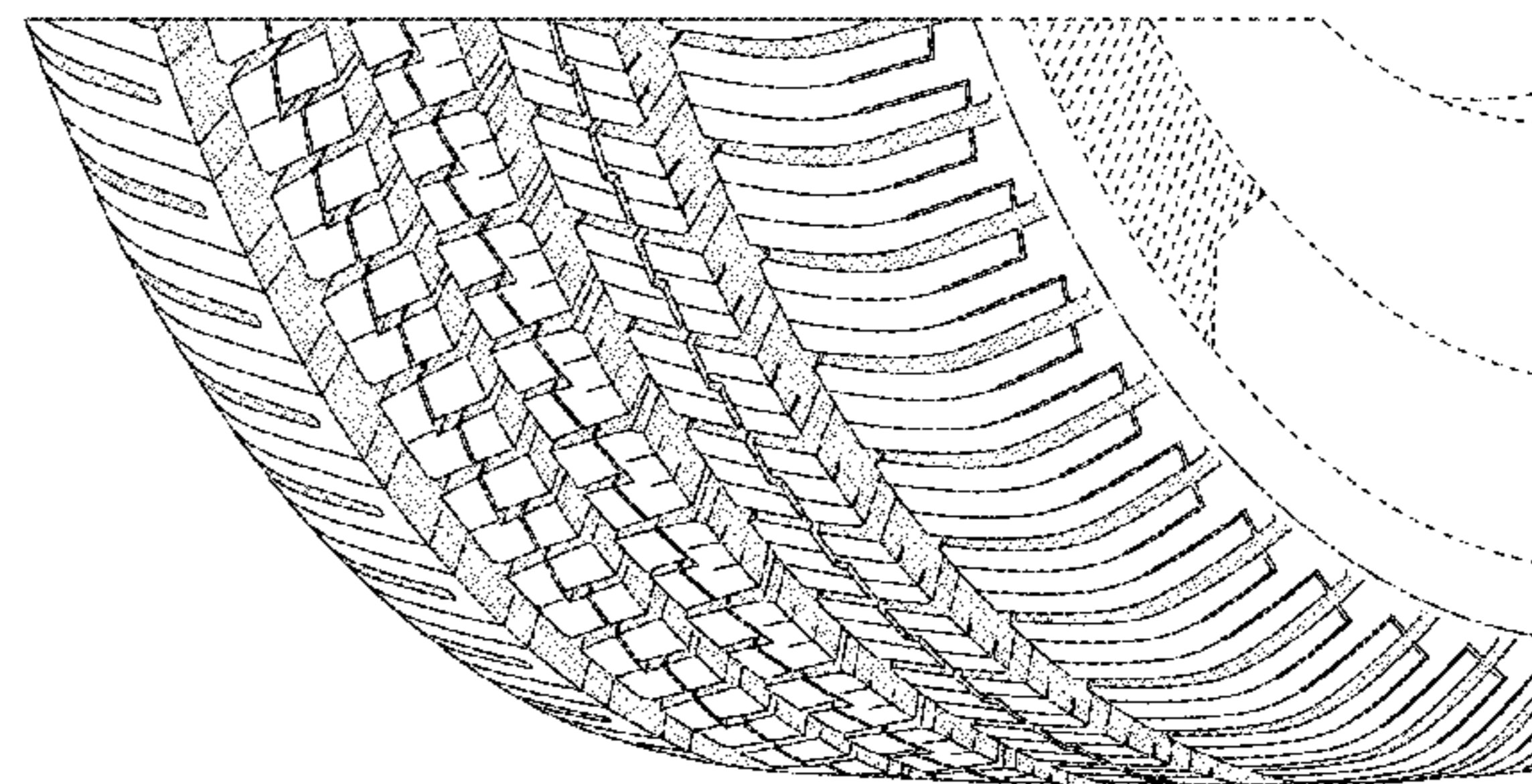
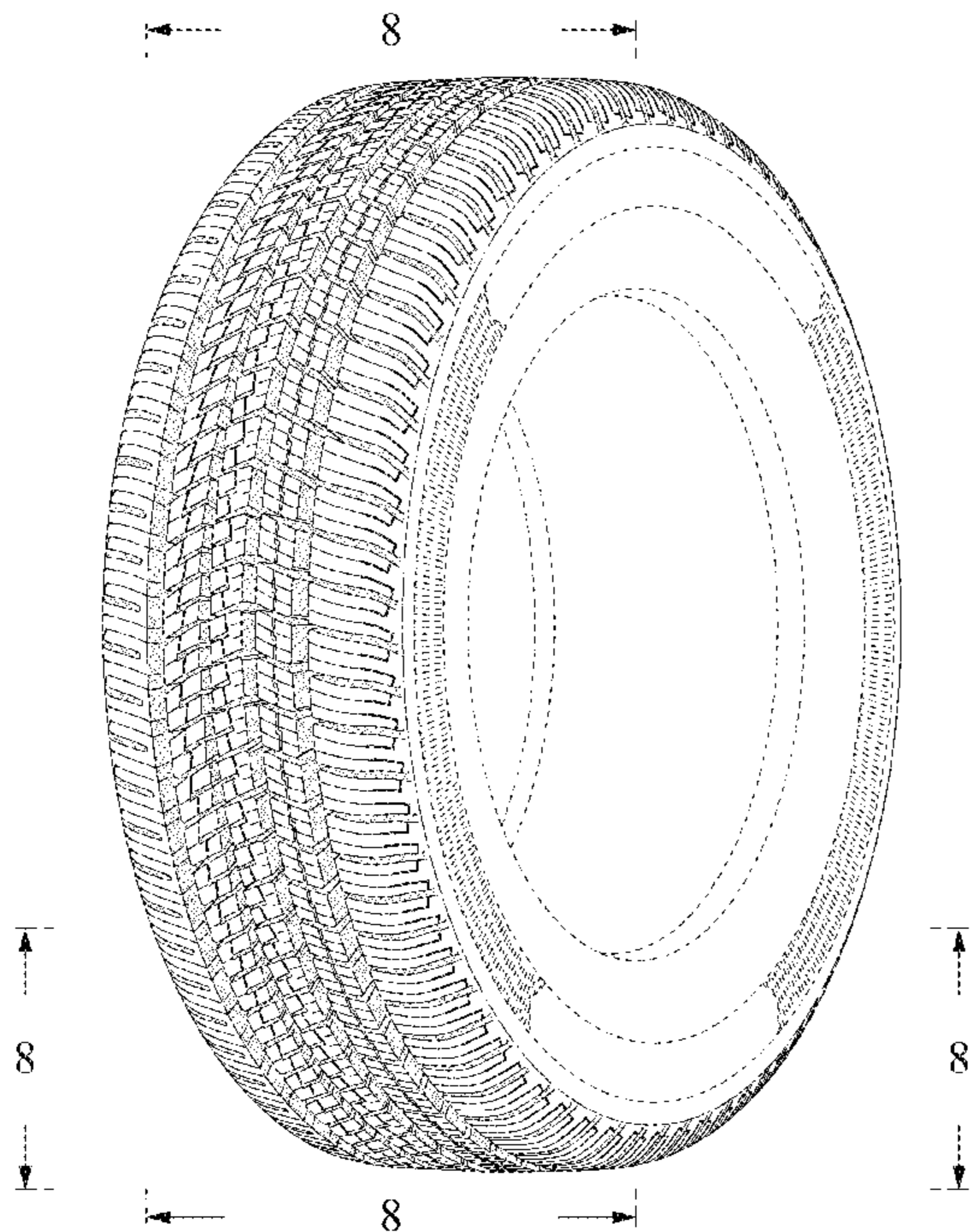


FIG. 1

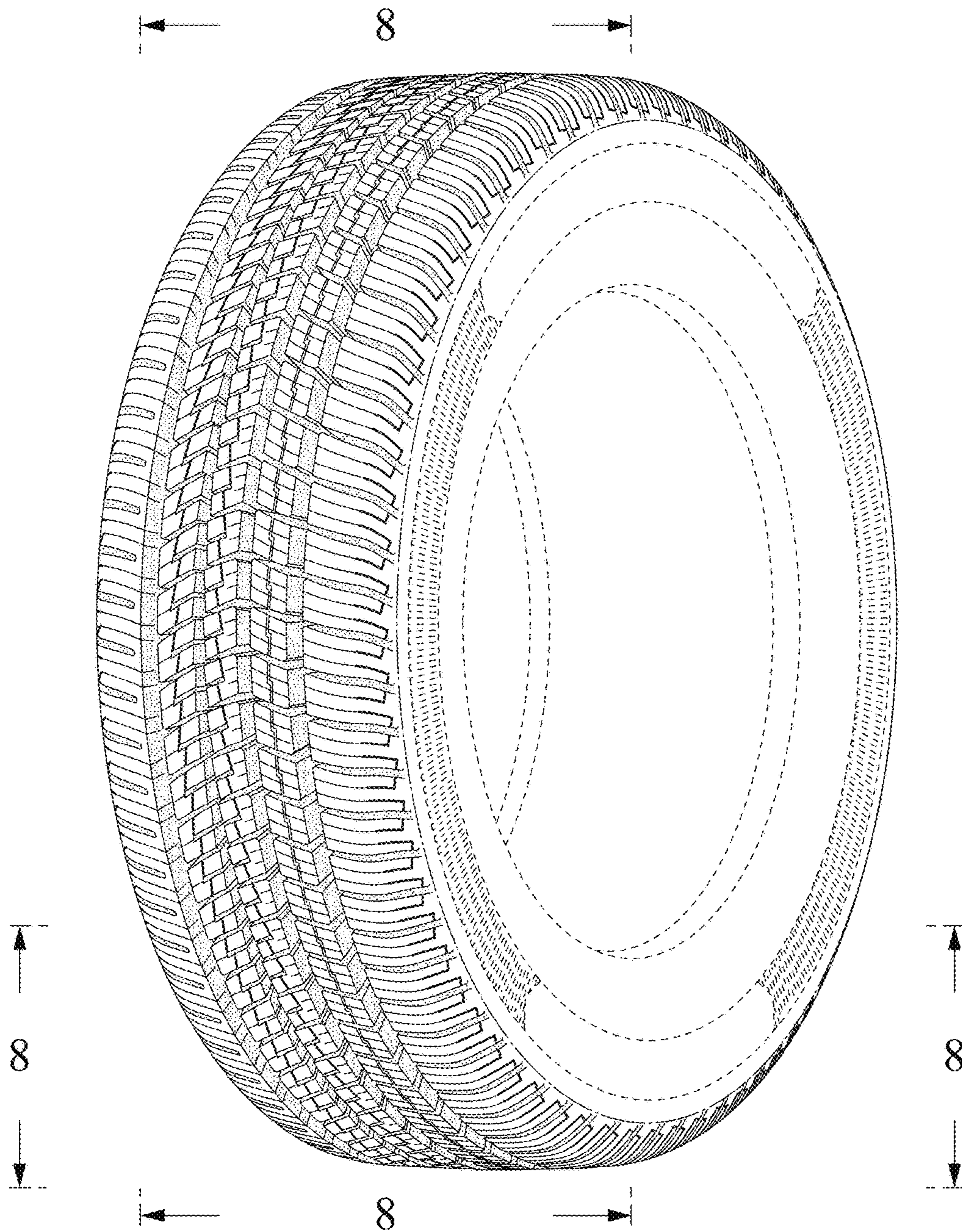


FIG. 2

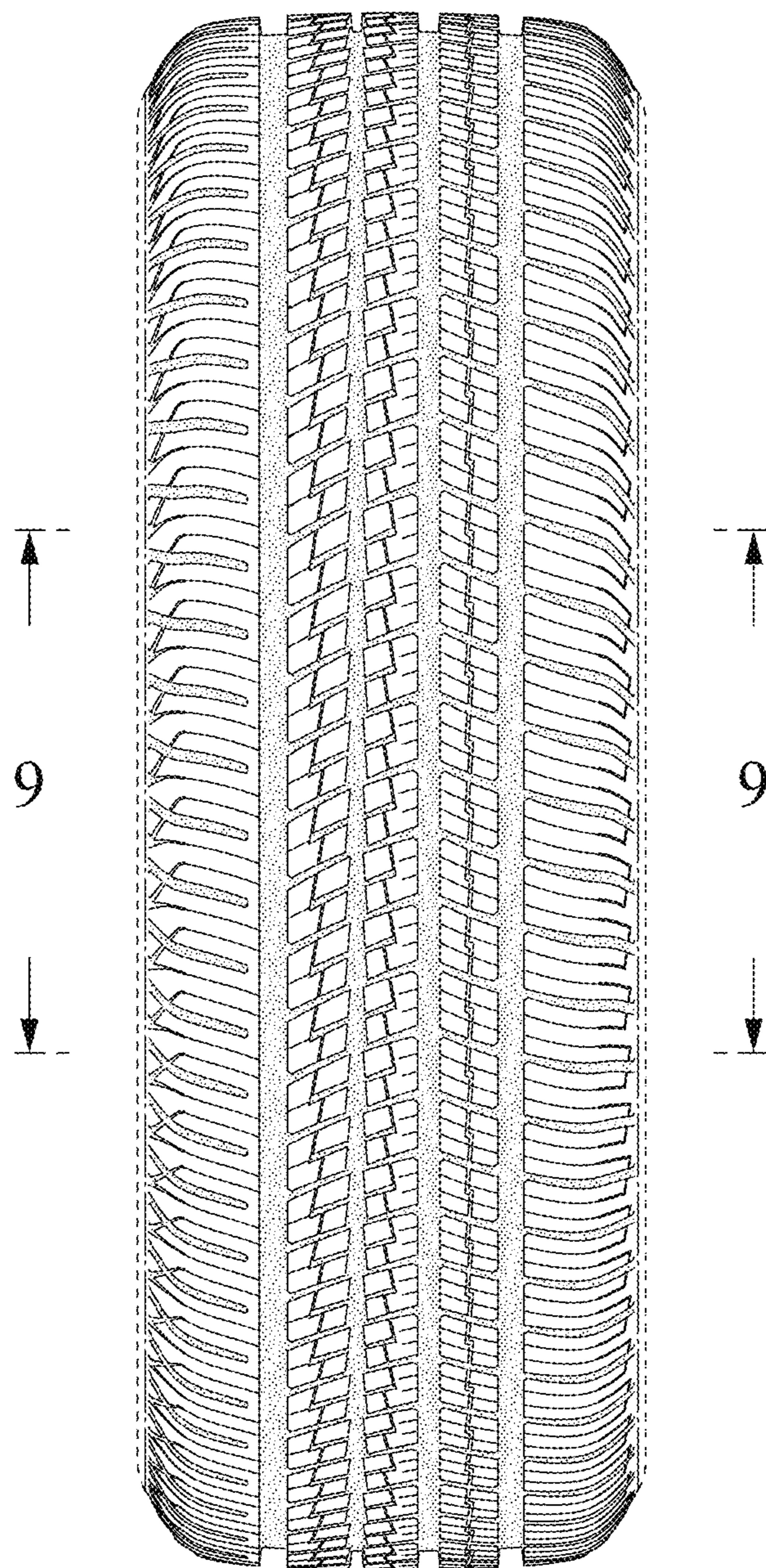


FIG. 3

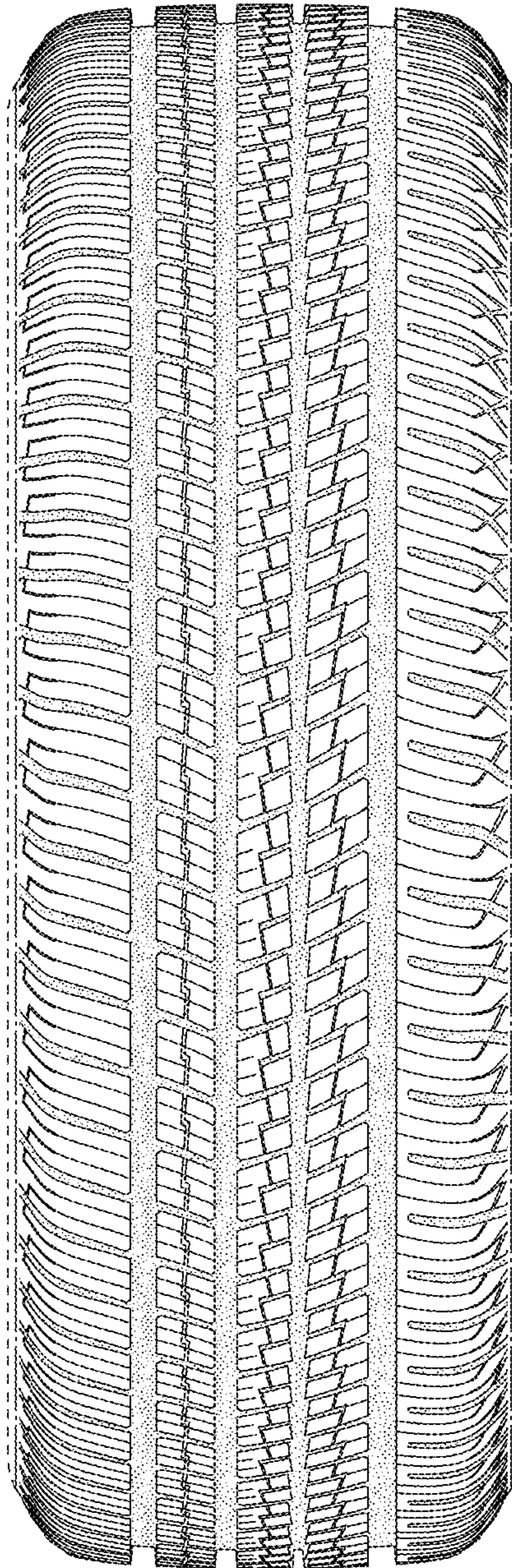


FIG. 4

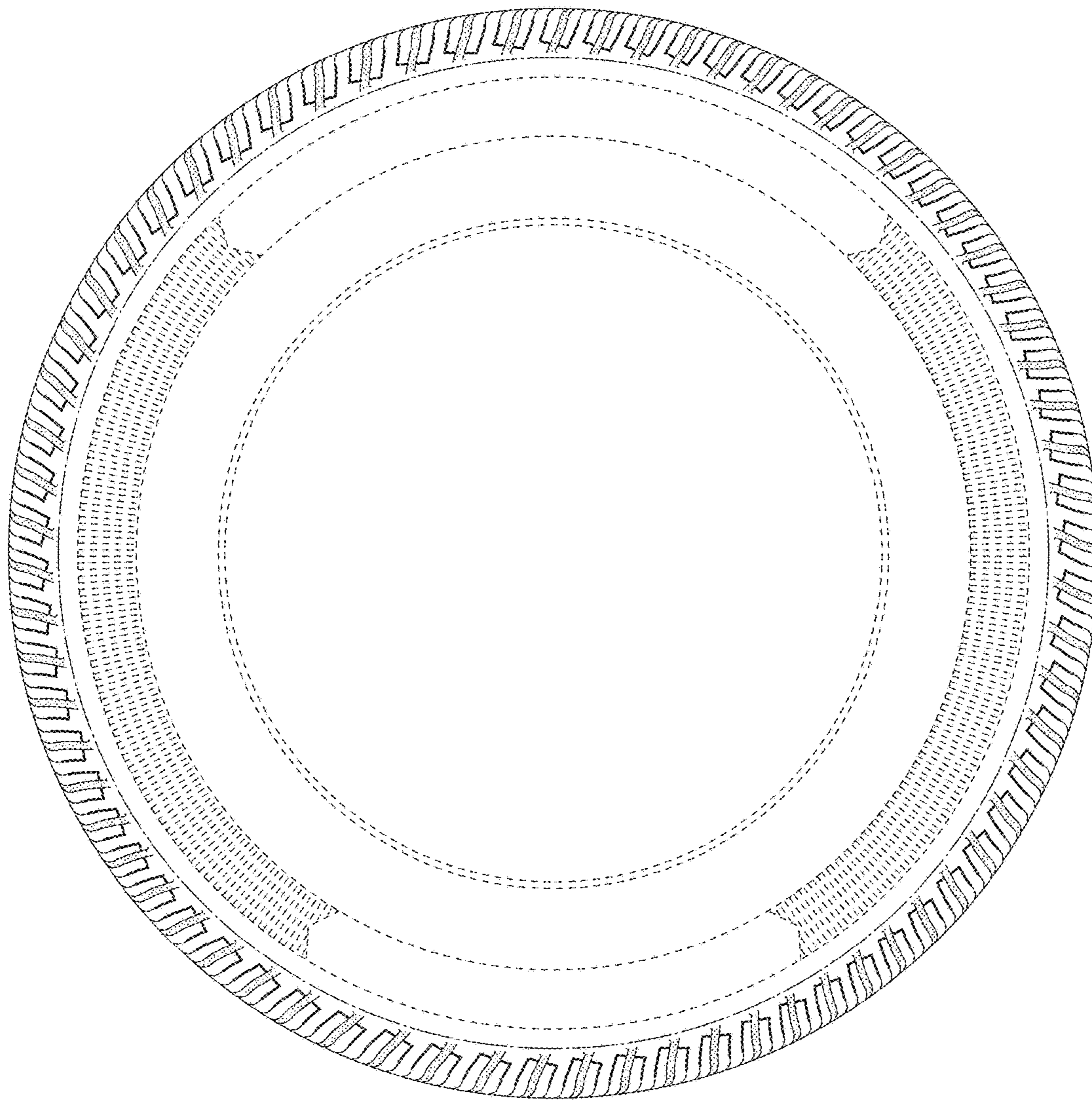


FIG. 5

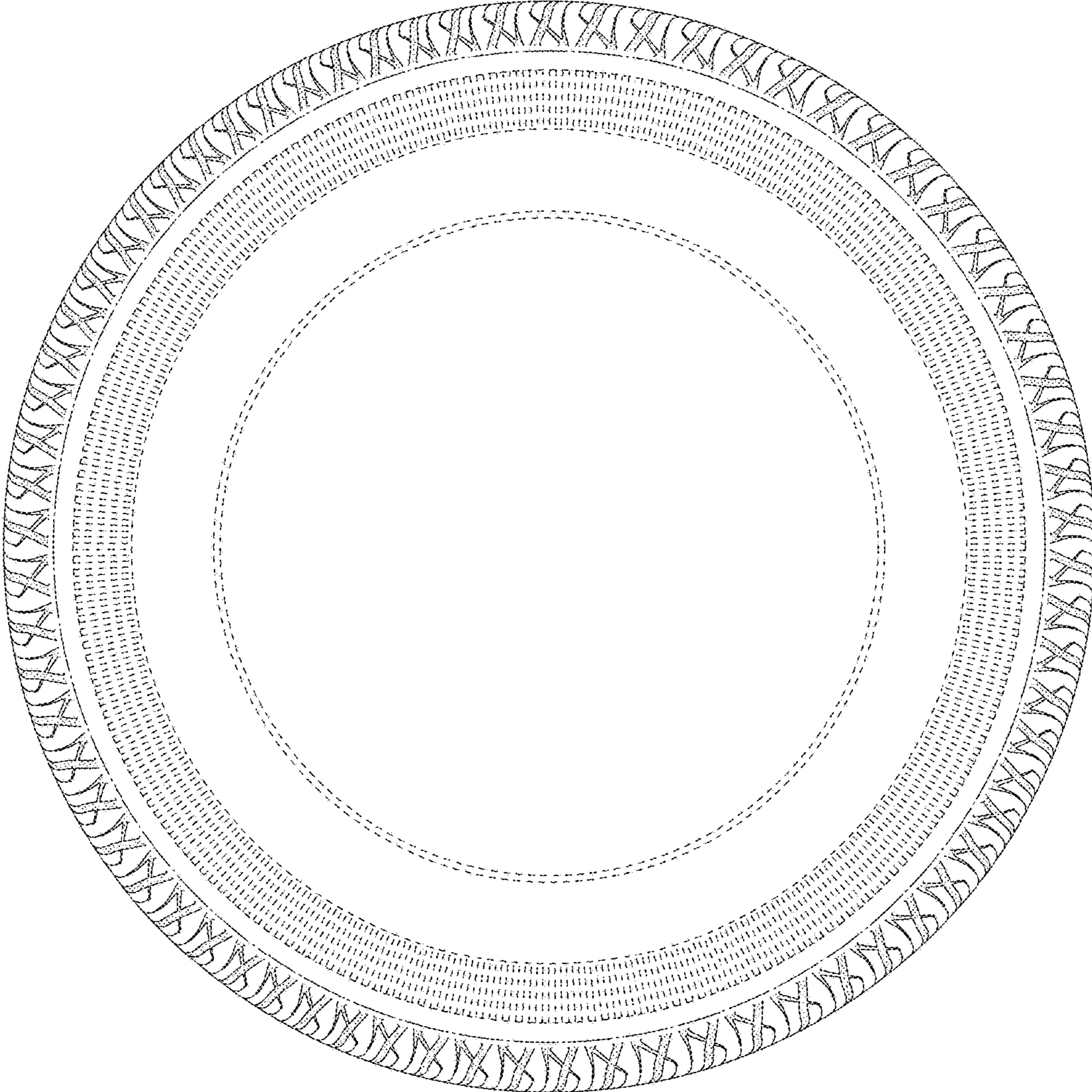


FIG. 6

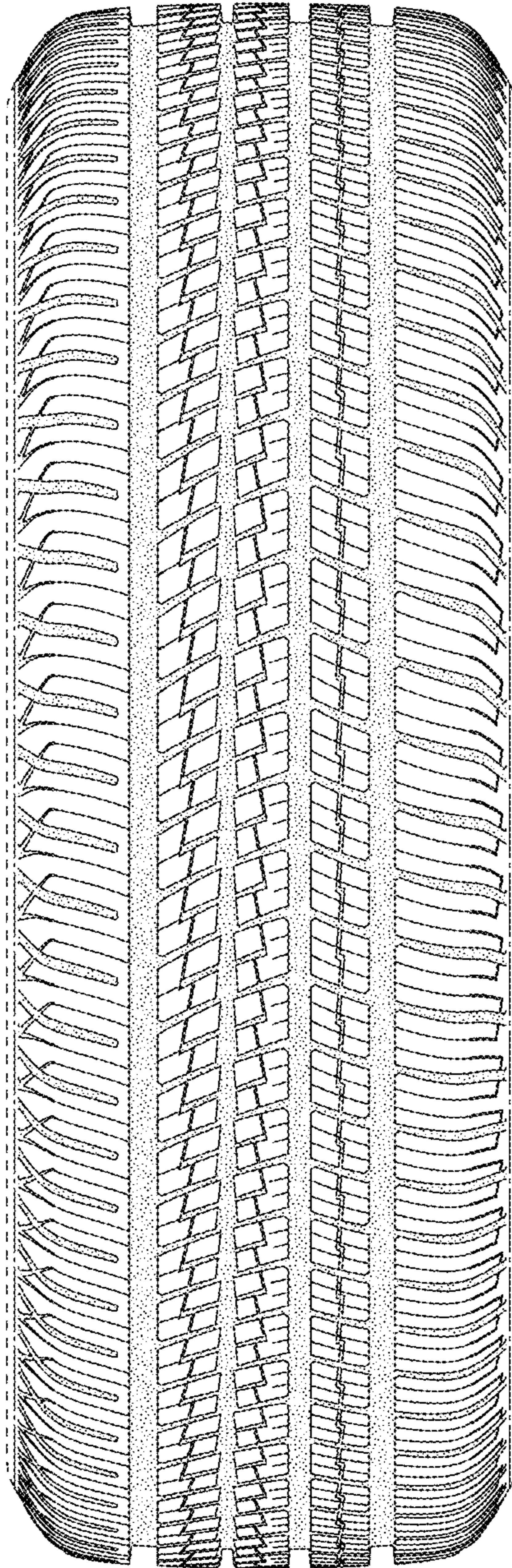


FIG. 7

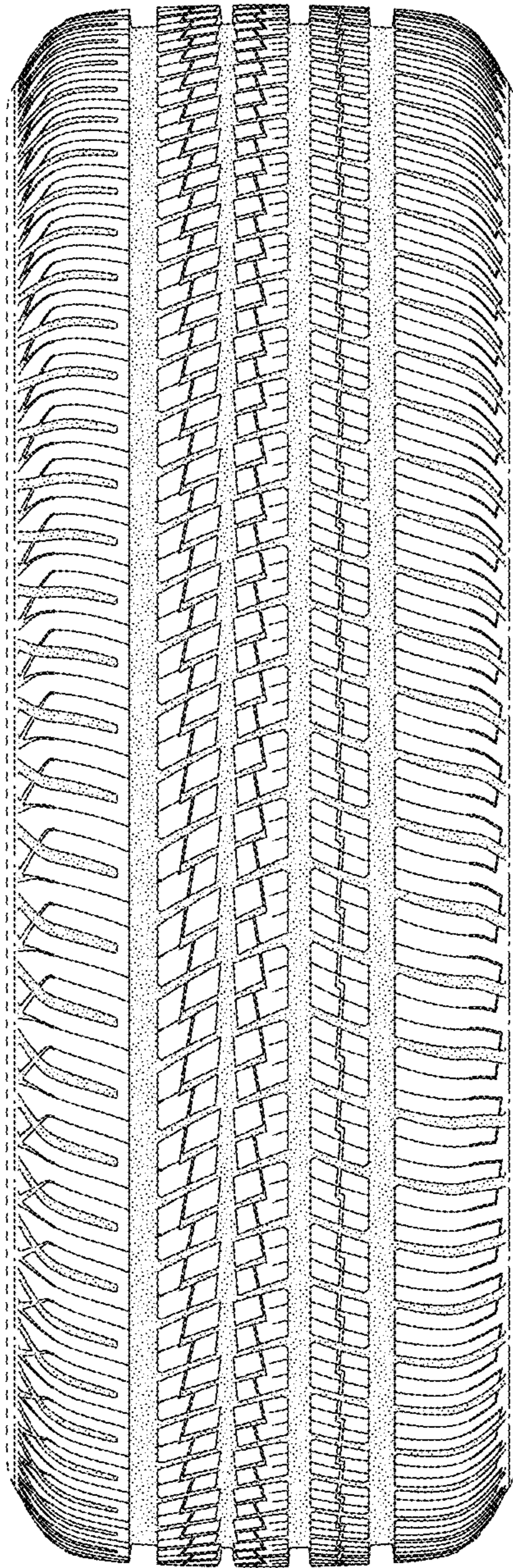


FIG. 8

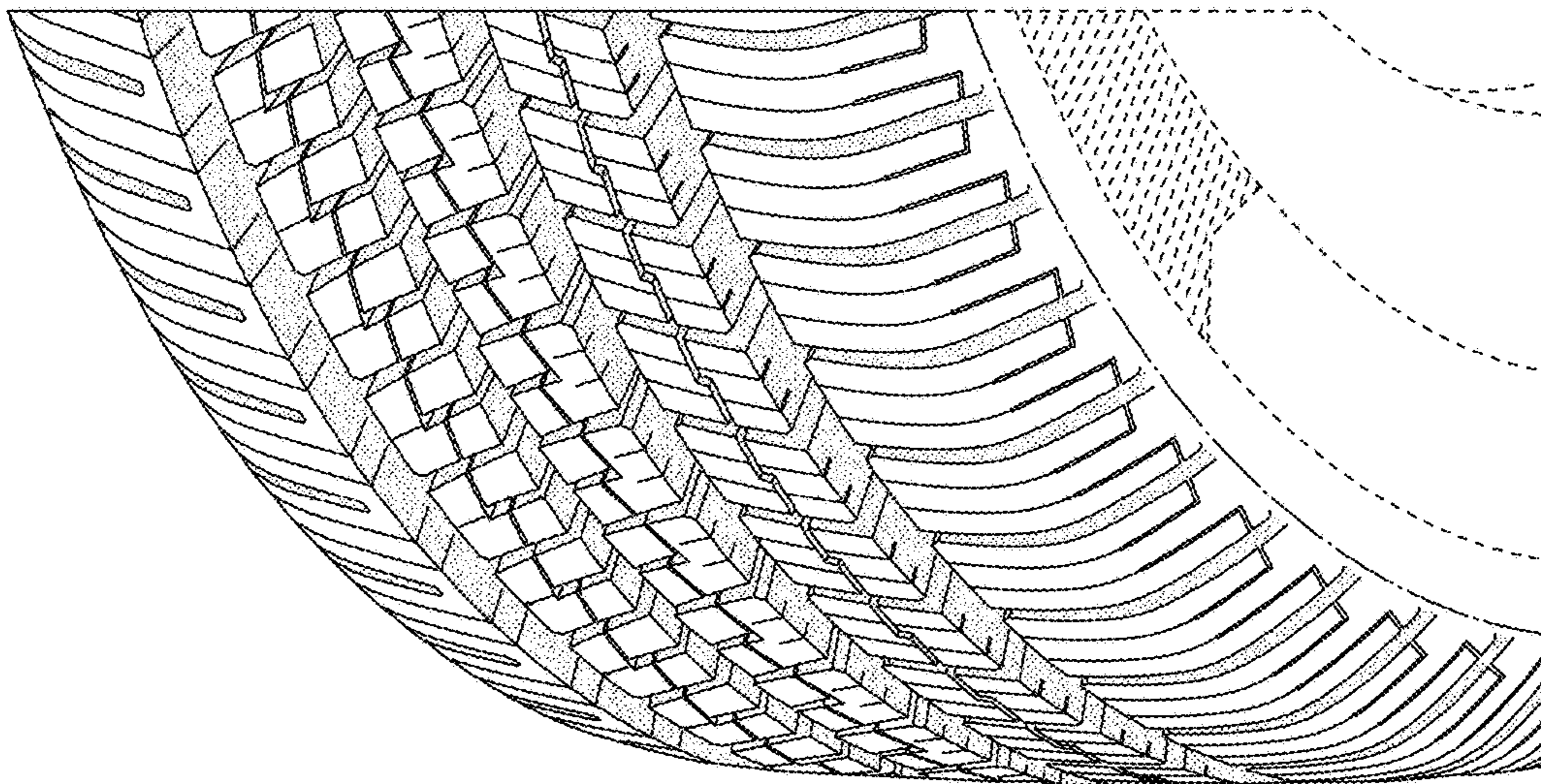


FIG. 9

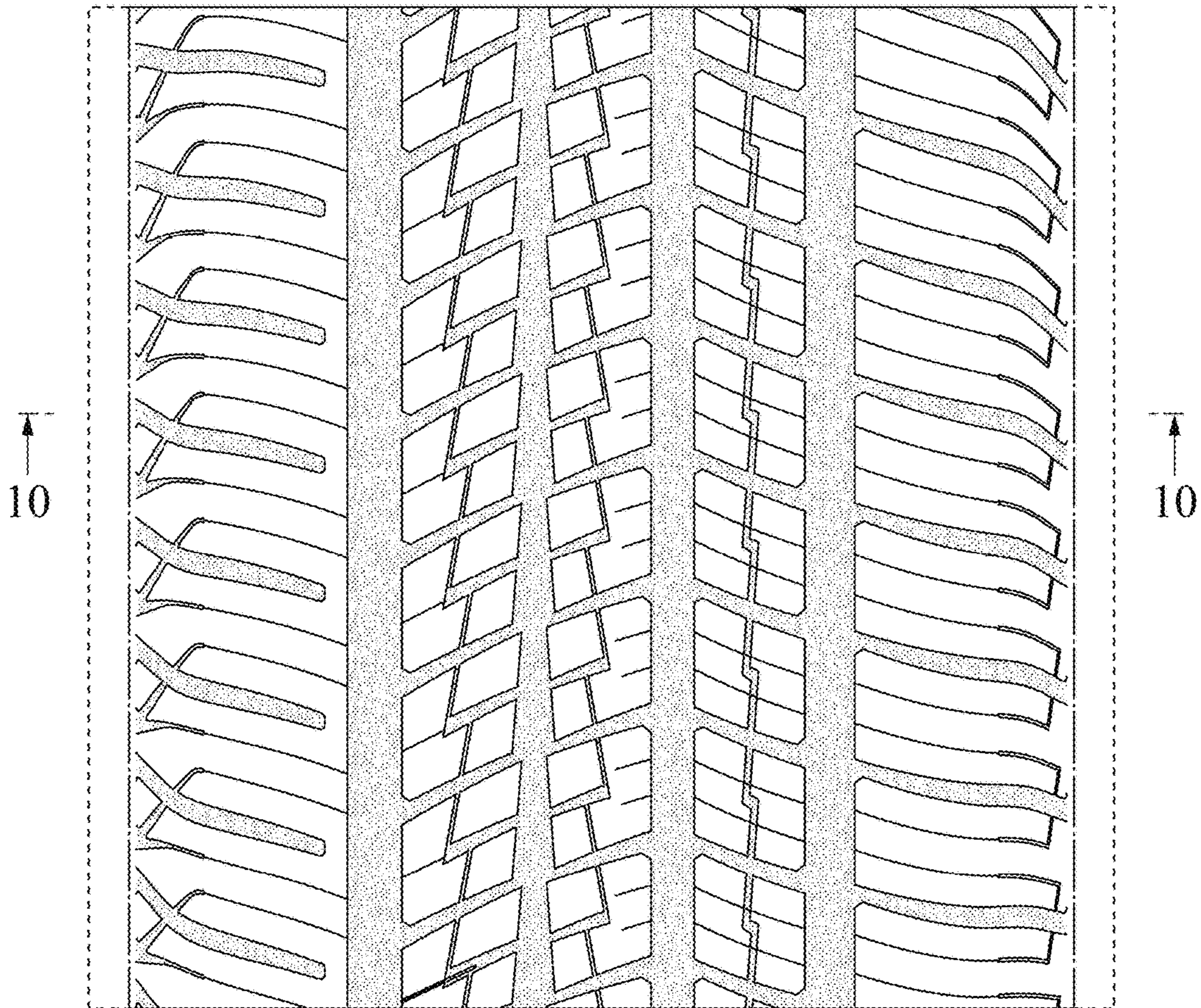


FIG. 10

