



US00D833370S

(12) **United States Design Patent**
Abe

(10) **Patent No.:** **US D833,370 S**

(45) **Date of Patent:** **** Nov. 13, 2018**

(54) **BICYCLE**

(71) Applicant: **BRIDGESTONE CORPORATION**,
Tokyo (JP)

(72) Inventor: **Akihiko Abe**, Tokyo (JP)

(73) Assignee: **BRIDGESTONE CORPORATION**,
Tokyo (JP)

(**) Term: **15 Years**

(21) Appl. No.: **29/601,991**

(22) Filed: **Apr. 27, 2017**

(30) **Foreign Application Priority Data**

Oct. 28, 2016 (JP) 2016-023458

(51) **LOC (11) Cl.** **12-15**

(52) **U.S. Cl.**

USPC **D12/500; D12/605; D12/501; D12/114**

(58) **Field of Classification Search**

USPC D12/400, 204-213, 217, 604, 605, 500,
D12/501, 544, 111, 114, 512, 537, 534,
D12/572, 570, 571, 568, 107; D23/381,
D23/387, 388, 412, 414

CPC B60C 7/00; B60C 7/16; B60C 7/18; B60C
7/14; B60C 7/22; B60C 2013/008; B60C
13/00; B60C 13/02; B60C 2009/0408;
B60C 2009/0466; B60C 2001/0033;
B60C 1/0025; B60B 9/02; B60B 9/04;
B60B 9/08; B60B 9/26

See application file for complete search history.

(56) **References Cited**

U.S. PATENT DOCUMENTS

469,708 A * 3/1892 Merrill B60C 7/14
152/274

470,249 A * 3/1892 Martinez B60C 7/14
152/256

473,525 A * 4/1892 Ridge B60C 7/14
152/270

475,510 A * 5/1892 Miller B60B 9/04
152/71

519,790 A * 5/1894 Fox B60B 9/04
152/81

563,646 A * 7/1896 Bowghner et al. B60B 9/26
152/80

573,907 A * 12/1896 Neal B60C 7/14
152/274

(Continued)

FOREIGN PATENT DOCUMENTS

JP 2010208550 A * 9/2010
JP 2017065642 A * 4/2017

Primary Examiner — Susan Bennett Hattan

Assistant Examiner — Marie D. Fast Horse

(74) *Attorney, Agent, or Firm* — Sughrue Mion, PLLC

(57) **CLAIM**

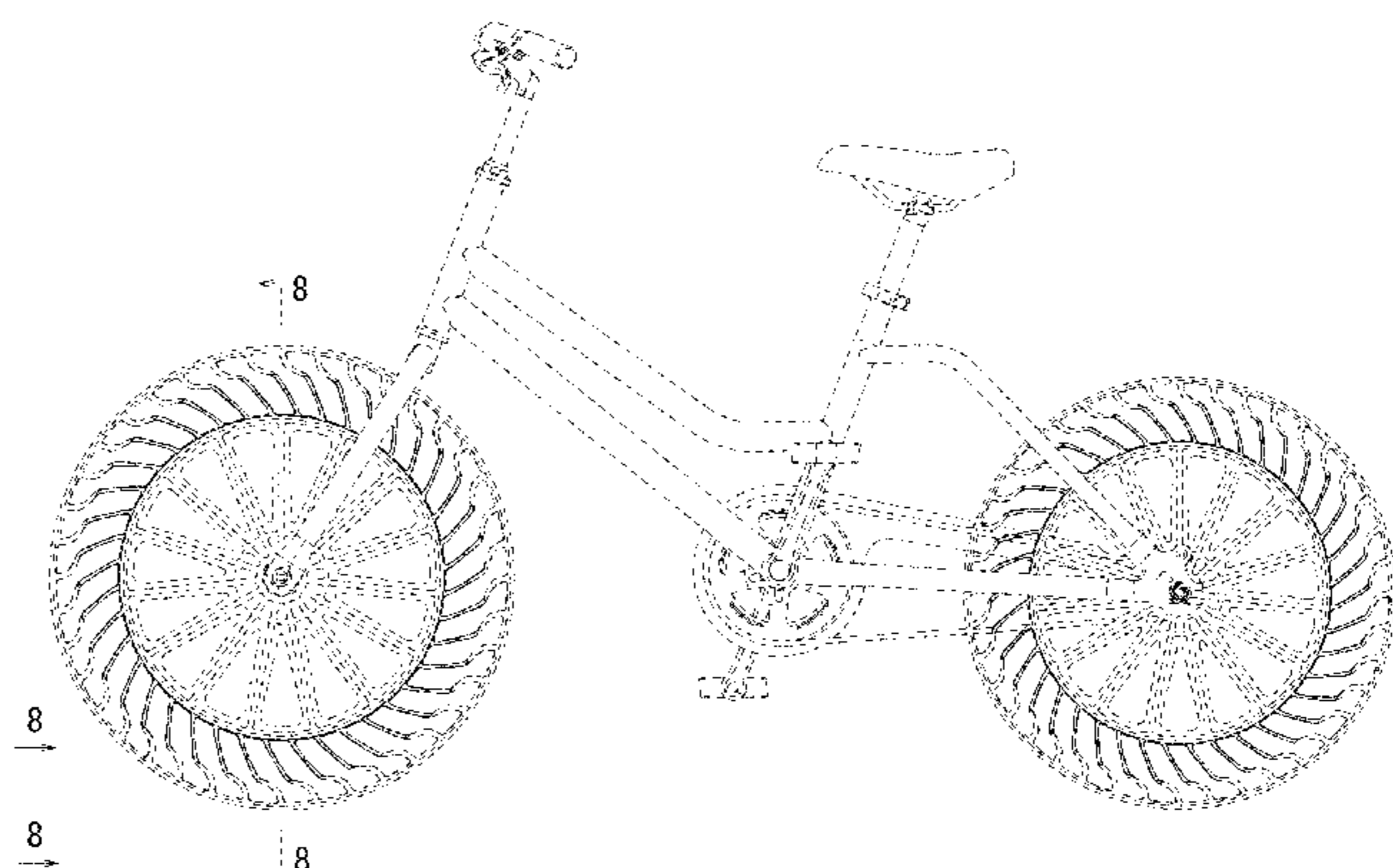
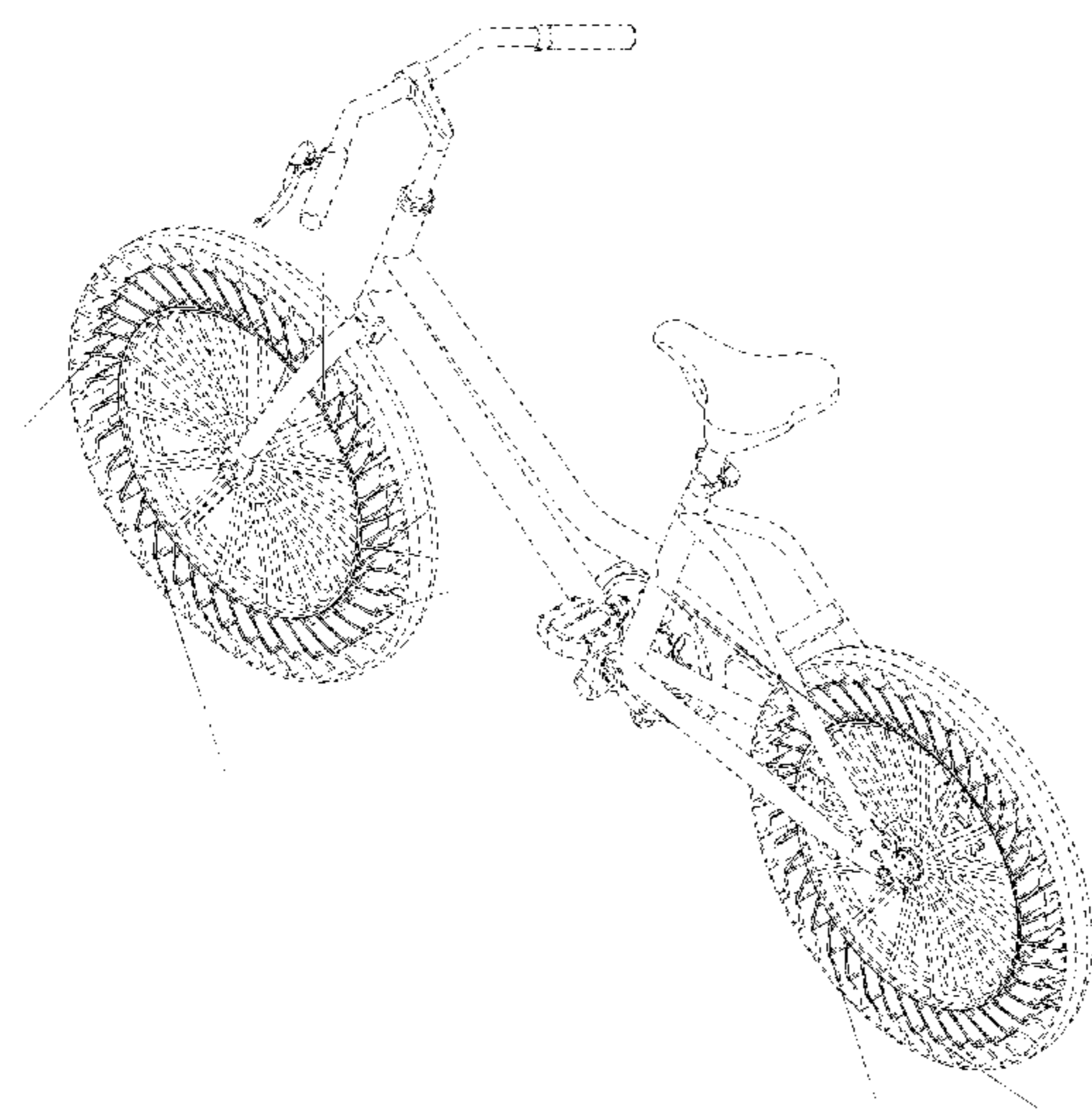
The ornamental design for a bicycle, as shown and described.

DESCRIPTION

FIG. 1 is a perspective view of a bicycle showing my design; FIG. 2 is a front view thereof; FIG. 3 is a top view thereof; FIG. 4 is a right side view thereof; FIG. 5 is a left side view thereof; FIG. 6 is a bottom view thereof; FIG. 7 is a rear view thereof; and, FIG. 8 is an enlarged section view taken along line 8-8 in FIG. 2.

The broken line consisting of unevenly sized dashes defines the boundary of the claim, which extends to the boundary but does not include the boundary; all other broken lines in the figures depict portions of the bicycle that form no part of the claim.

1 Claim, 8 Drawing Sheets



(56)

References Cited

U.S. PATENT DOCUMENTS

576,072 A *	1/1897	Humbrecht	B60C 7/14	1,336,031 A *	4/1920	Gebhardt	B60B 9/26
			152/256				152/85
576,194 A *	2/1897	Jenkins	B60C 7/14	1,341,576 A *	5/1920	Nix	B60C 7/14
			152/274				152/274
576,579 A *	2/1897	Hunt	B60C 7/14	1,362,891 A *	12/1920	Newton	B60C 7/16
			152/273				152/256
602,552 A *	4/1898	Brown	B60C 7/14	1,366,407 A *	1/1921	Mendenhall	B60C 7/14
			152/274				152/270
622,415 A *	4/1899	Calantarients	B60C 7/14	1,368,654 A *	2/1921	Ratchford	B60B 9/26
			152/270				301/84
622,923 A *	4/1899	Huntsberry et al.	B60C 7/14	1,372,461 A *	3/1921	Sichmeller	B60C 7/14
			152/274				152/84
624,315 A *	5/1899	Finin	B60C 7/14	1,373,101 A *	3/1921	Schlake	B60B 9/26
			152/254				152/82
672,533 A *	4/1901	Lefebvre	B60C 7/14	RE15,371 E *	6/1922	Beisel	B60B 9/04
			152/274				152/12
763,536 A *	6/1904	Alloatti	B60C 7/14	1,427,570 A *	8/1922	Austin	B60C 7/14
			152/274				152/274
787,311 A *	4/1905	Scribner	B60C 7/14	1,432,884 A *	10/1922	McFall	B60B 9/26
			152/271				152/85
794,725 A *	7/1905	Mad	B60C 7/14	1,433,396 A *	10/1922	Mendenhall	B60C 7/14
			152/152				152/274
805,046 A *	11/1905	Ware	B60C 7/14	1,434,291 A *	10/1922	Kuffel	B60B 9/26
			152/274				152/39
836,302 A *	11/1906	Childs	B60C 7/14	1,450,748 A *	4/1923	Morrow	B60B 9/26
			152/274				152/80
840,824 A *	1/1907	Childs	B60C 7/14	1,460,413 A *	7/1923	Gaines	B60C 7/14
			152/256				152/81
850,754 A *	4/1907	Hill	B60B 9/26	1,506,986 A *	9/1924	Miller	B60C 7/14
			152/85				152/273
856,957 A *	6/1907	Hubbard	B60C 7/14	1,625,518 A *	4/1927	Beisel	B60B 9/26
			152/256				152/220
916,122 A *	3/1909	Doyle	B60B 9/26	1,648,218 A *	11/1927	Deitenbeck	B60C 7/14
			152/70				152/268
951,209 A *	3/1910	Wagner	B60C 7/14	2,055,461 A *	9/1936	Baddock	B60C 7/16
			152/182				152/256
989,701 A *	4/1911	Funk	B60C 7/14	D107,322 S *	12/1937	Reel	D12/600
			152/274	2,377,531 A *	6/1945	Waters	B60C 7/14
993,711 A *	5/1911	Peterson	B60C 7/14				152/69
			152/274	2,742,941 A *	4/1956	Johnson	B60C 7/12
1,024,431 A *	4/1912	Banks	B60C 7/14				152/326
			152/254	3,182,705 A *	5/1965	Markow	B60B 5/02
1,027,409 A *	5/1912	Wagner	B60B 9/26				152/12
			152/70	3,219,090 A *	11/1965	Cislo	B21C 47/34
1,029,867 A *	6/1912	Romolya	B60B 9/26				152/7
			152/70	D222,049 S *	9/1971	Morrisette	D12/501
1,060,480 A *	4/1913	Minnick	B60C 7/14	D229,845 S *	1/1974	Schreckengost	D12/501
			152/252	5,139,066 A *	8/1992	Jarman	B60C 7/12
1,103,502 A *	7/1914	Giesel	B60C 7/14				152/11
			152/272	5,174,634 A *	12/1992	Blanck	B60B 3/005
1,116,939 A *	11/1914	Sheifley	B60C 7/14				152/323
			152/257	5,223,599 A *	6/1993	Gajewski	C08G 18/10
1,117,977 A *	11/1914	Cooper	B60C 7/14				152/11
			152/274	5,232,270 A *	8/1993	Helterbrand	B60B 1/10
1,145,718 A *	7/1915	Thompson	B60B 9/26				301/104
			152/85	D339,773 S *	9/1993	Curtis	D12/605
1,162,706 A *	11/1915	Myers	B60B 9/26	D373,337 S *	9/1996	Hunt	D12/210
			152/86	D389,101 S *	1/1998	Julien	D12/209
1,178,502 A *	4/1916	Dunbar	B60B 9/04	D424,683 S *	5/2000	Bellil	D23/381
			152/300	6,196,638 B1 *	3/2001	Mizuno	B60B 1/00
1,183,336 A *	5/1916	Baker	B60C 7/14				301/104
			152/274	D451,190 S *	11/2001	Chen	D23/412
1,211,869 A *	1/1917	Naylor	B60C 7/14	D451,594 S *	12/2001	Chen	D23/412
			152/274	D451,595 S *	12/2001	Chen	D23/382
1,231,965 A *	7/1917	Swigart	B60B 9/26	D475,345 S *	6/2003	Endo	D12/605
			152/85	6,615,885 B1 *	9/2003	Ohm	B60B 9/26
1,244,002 A *	10/1917	Teare	B60B 9/26				152/11
			152/70	6,983,781 B2 *	1/2006	Ebiko	B60C 13/001
1,262,550 A *	4/1918	Northern	B60C 7/14				152/523
			152/12	D531,952 S *	11/2006	Sands	D12/211
1,292,729 A *	1/1919	Drach	B60C 7/14	7,270,230 B2 *	9/2007	Smith	B65G 39/06
			152/256				198/604
				D577,330 S *	9/2008	Miyasaka	D12/605
				D602,422 S *	10/2009	Laskowitz	D12/570
				D602,852 S *	10/2009	Laskowitz	D12/570
				D611,403 S *	3/2010	Kuwano	D12/605

(56)

References Cited

U.S. PATENT DOCUMENTS

D630,566 S * 1/2011 Ebel D12/209
 D645,952 S * 9/2011 Peterson D23/411
 D645,953 S * 9/2011 Peterson D23/411
 8,276,628 B2 * 10/2012 Hanada B60C 7/12
 152/11
 D681,799 S * 5/2013 Pan D23/412
 D684,681 S * 6/2013 Herbst D23/382
 D688,368 S * 8/2013 Ediger D23/382
 D711,815 S * 8/2014 Abe D12/605
 D727,247 S * 4/2015 Martin D12/570
 D731,958 S * 6/2015 Kiwaki D12/570
 9,290,045 B2 * 3/2016 Cron B60B 9/26
 9,346,499 B2 * 5/2016 Rudakevych B60B 9/26
 D763,785 S * 8/2016 Abe D12/605
 D770,539 S * 11/2016 Mast D12/501
 D773,387 S * 12/2016 Martin D12/605
 D777,655 S * 1/2017 Martin D12/605
 D782,391 S * 3/2017 Schaedler B60C 7/10
 D12/501
 D792,332 S * 7/2017 Schaedler D12/501
 D792,333 S * 7/2017 Schaedler D12/501
 D803,749 S * 11/2017 Lettieri D12/209
 D803,750 S * 11/2017 Lettieri D12/209
 D804,389 S * 12/2017 Lettieri D12/209
 9,840,113 B2 * 12/2017 Kim B60C 7/14
 D815,583 S * 4/2018 Iwamura D12/511
 2004/0051373 A1 * 3/2004 Tolkachev B60B 1/003
 301/55
 2004/0069385 A1 * 4/2004 Timoney B60B 9/26
 152/69
 2007/0089820 A1 * 4/2007 Gabrys B60B 7/0086
 152/69
 2010/0024942 A1 * 2/2010 Negroni B60C 1/0025
 152/524
 2012/0060991 A1 * 3/2012 Mun B60C 7/18
 152/323

2012/0067481 A1 * 3/2012 Cron B60C 7/12
 152/326
 2012/0193004 A1 * 8/2012 Anderson B60C 7/105
 152/310
 2012/0200149 A1 * 8/2012 Rudakevych B60B 9/26
 305/109
 2013/0240097 A1 * 9/2013 Cron B29D 30/02
 152/17
 2013/0287882 A1 * 10/2013 Wilson B29D 30/02
 425/425
 2013/0342001 A1 * 12/2013 Imamiya B60C 7/18
 301/6.5
 2014/0000777 A1 * 1/2014 Choi B60C 7/18
 152/246
 2014/0083581 A1 * 3/2014 Schaedler B60B 9/26
 152/5
 2014/0159280 A1 * 6/2014 Martin B29C 33/0033
 264/299
 2015/0017277 A1 * 1/2015 Anderson B29D 30/0605
 425/408
 2015/0174953 A1 * 6/2015 Cron B60B 9/26
 152/11
 2015/0273936 A1 * 10/2015 Nishida B60B 9/04
 152/80
 2015/0290983 A1 * 10/2015 Shmagranoff B60C 13/02
 152/523
 2015/0355056 A1 * 12/2015 Martin G01M 17/027
 356/601
 2016/0096400 A1 * 4/2016 Nomura B60C 7/14
 152/69
 2016/0280005 A1 * 9/2016 Cron B60C 7/18
 2017/0113489 A1 * 4/2017 Iwamura B60B 5/02
 2017/0113490 A1 * 4/2017 Iwamura B60C 7/18
 2017/0341464 A1 * 11/2017 Nishida B60B 9/04
 2017/0341469 A1 * 11/2017 Choi B60C 7/14
 2017/0368869 A1 * 12/2017 Cron B60B 9/26
 2017/0368877 A1 * 12/2017 Gaylo B60C 7/26
 2018/0001705 A1 * 1/2018 Wilson B60C 7/18

* cited by examiner

FIG. 1

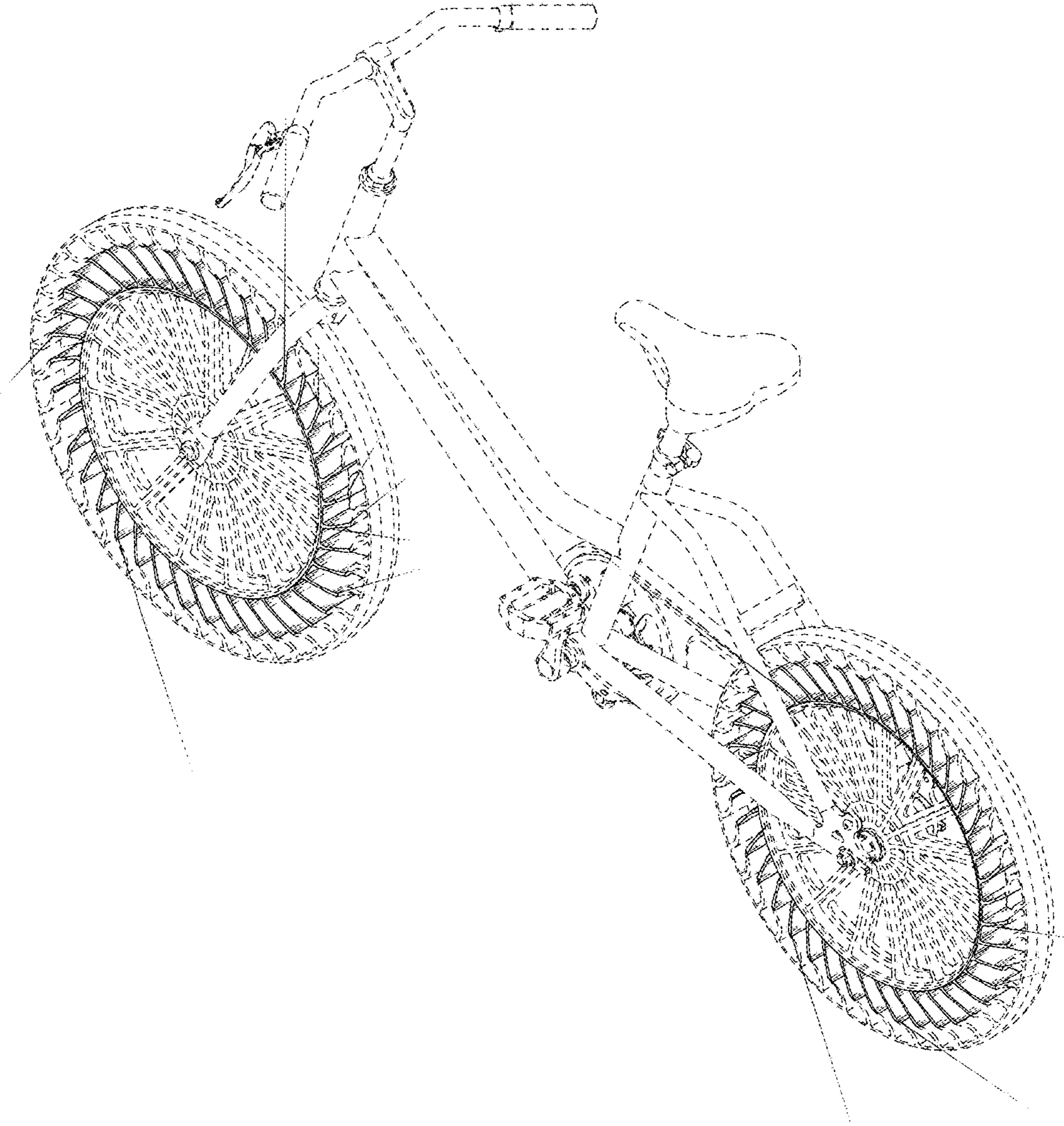


FIG. 2

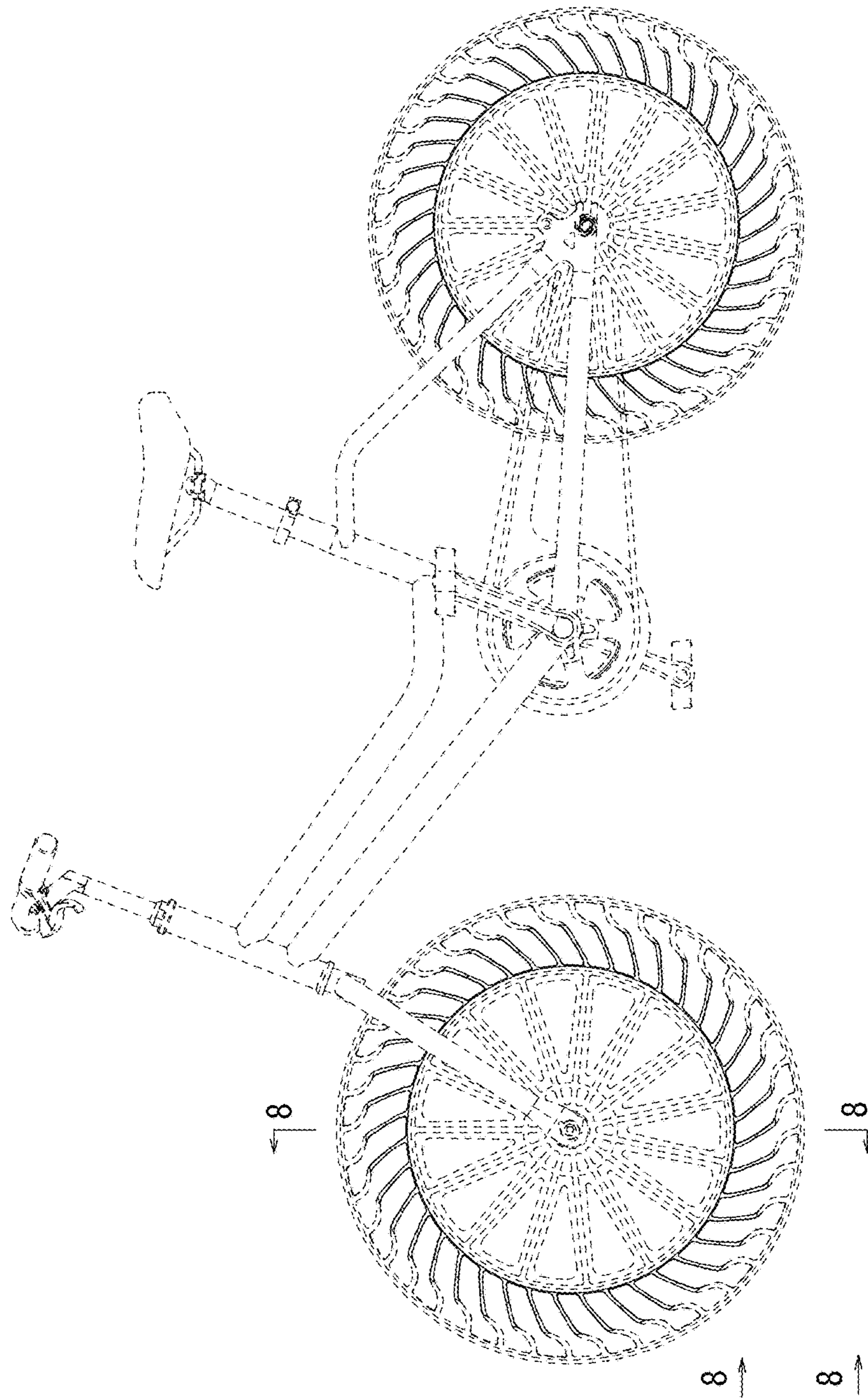


FIG. 3

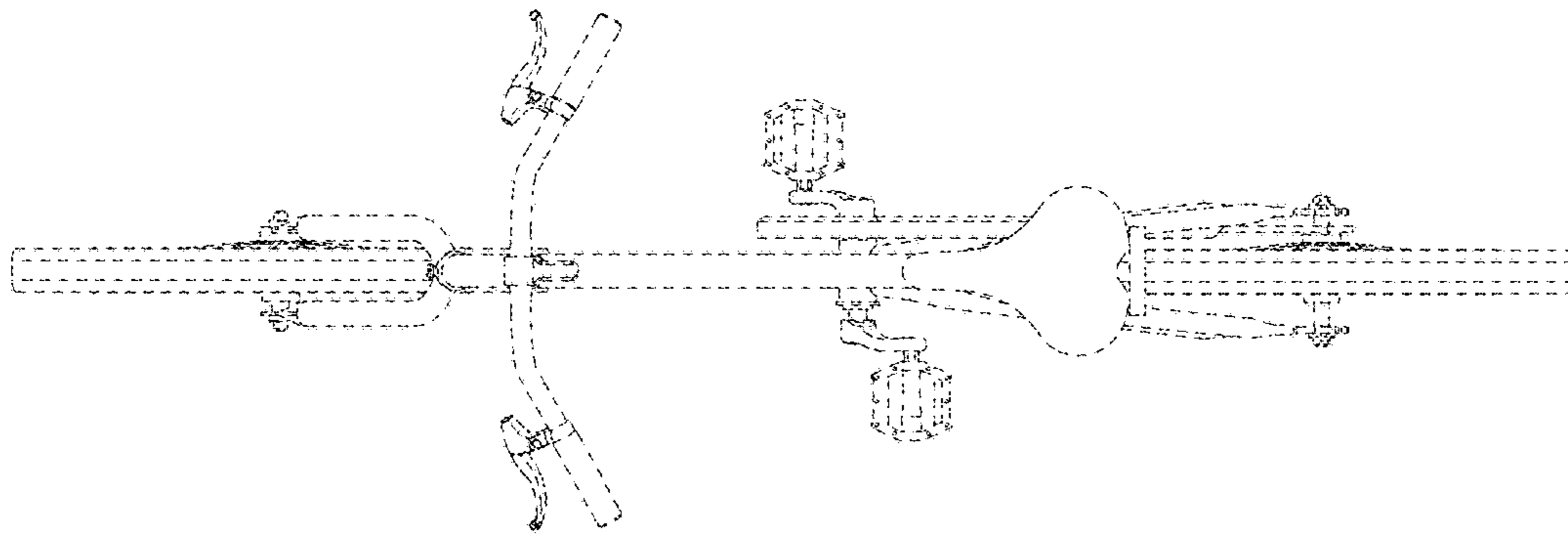


FIG. 4

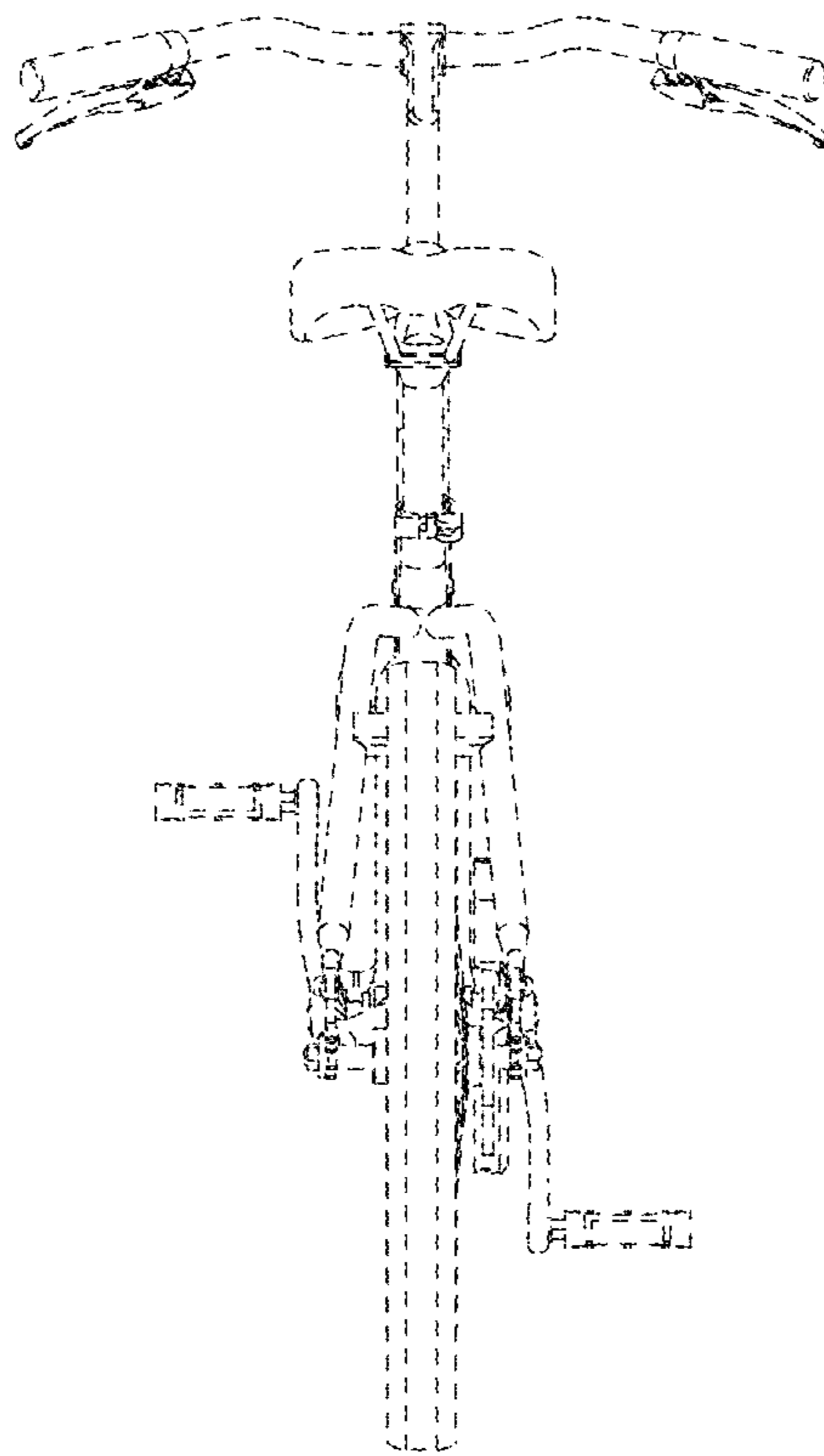


FIG 5.

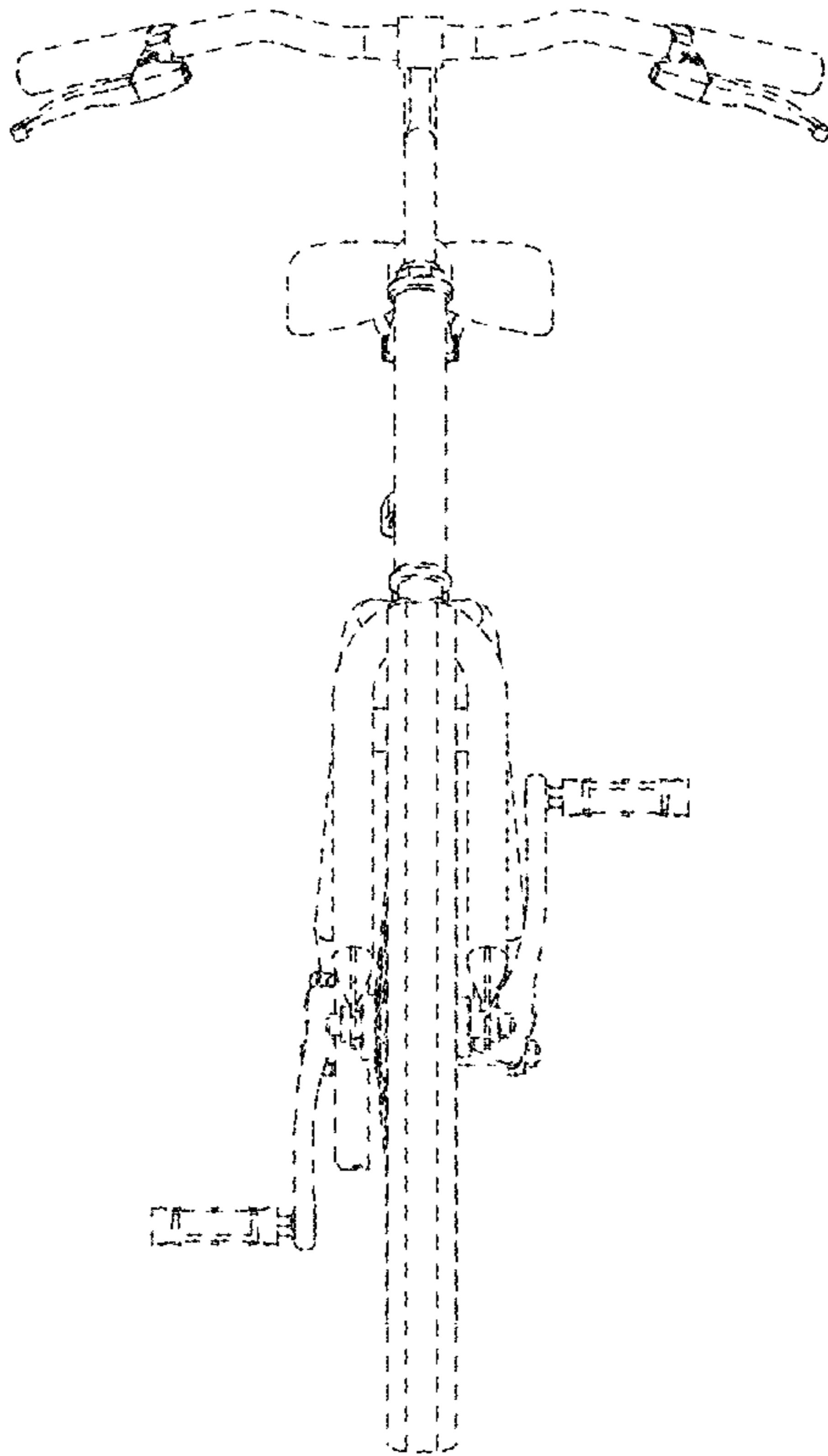


FIG. 6

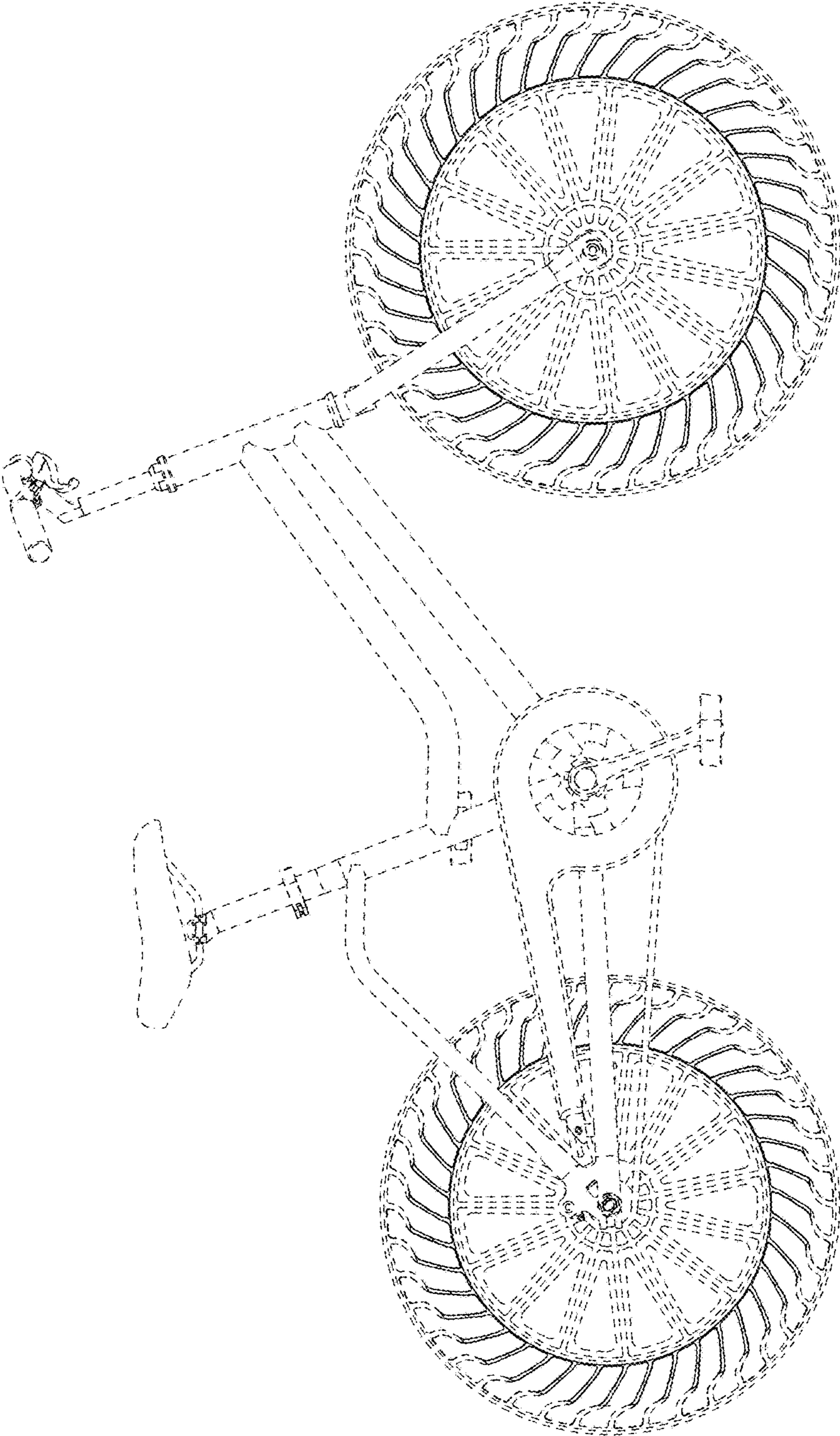


FIG. 7

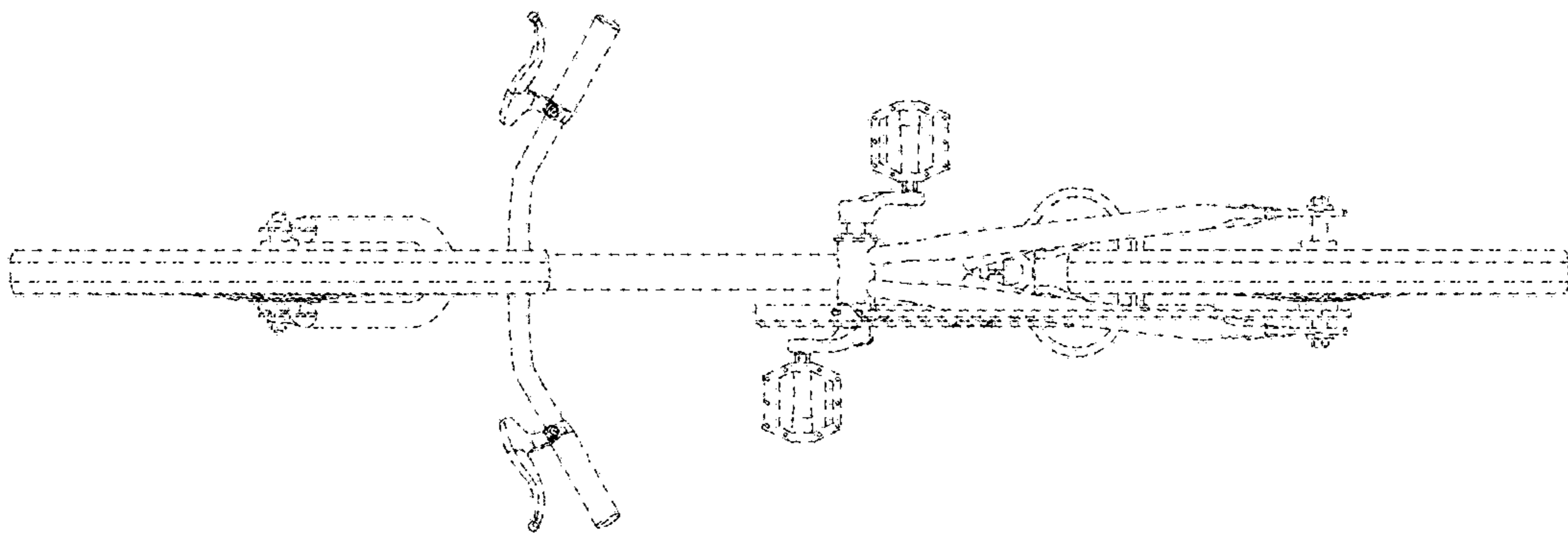


FIG. 8

