



US00D833369S

(12) **United States Design Patent**
Lan

(10) **Patent No.:** **US D833,369 S**

(45) **Date of Patent:** **** Nov. 13, 2018**

(54) **CAR MOUNT**

(71) Applicant: **Ping Zhang**, Bradfordwoods, PA (US)

(72) Inventor: **Changwen Lan**, Dongguang (CN)

(73) Assignee: **Ping Zhang**, Bradfordwoods, PA (US)

(**) Term: **15 Years**

(21) Appl. No.: **29/621,773**

(22) Filed: **Oct. 11, 2017**

(51) **LOC (11) Cl.** **12-16**

(52) **U.S. Cl.**

USPC **D12/415**

(58) **Field of Classification Search**

USPC D12/415-420, 400, 191, 106, 195, 345,
D12/96, 99

CPC B60R 7/06; B60R 11/02; B60R 2011/005;
B60R 2011/0012; A61L 9/12; A61L 9/04

See application file for complete search history.

(56) **References Cited**

U.S. PATENT DOCUMENTS

D603,322 S * 11/2009 Nicieja D12/415
D690,707 S * 10/2013 Minn B60R 11/0241
D14/447

D767,556 S * 9/2016 Lee D12/415
D796,421 S * 9/2017 Huang D12/415
D818,421 S * 5/2018 Hu D12/415

* cited by examiner

Primary Examiner — Abraham Bahta

(74) *Attorney, Agent, or Firm* — Na Xu; IPro, PLLC

(57) **CLAIM**

The ornamental design for a car mount, as shown and described.

DESCRIPTION

FIG. 1 is a perspective view of a car mount embodying the new design;

FIG. 2 is a top view thereof;

FIG. 3 is a bottom view thereof;

FIG. 4 is a left side view thereof;

FIG. 5 is a right side view thereof;

FIG. 6 is a front view thereof;

FIG. 7 is a back view thereof;

FIG. 8 is another perspective view of the car mount with its movable supporting arm in a first position;

FIG. 9 is another perspective view of the car mount with its movable supporting arm in a second position;

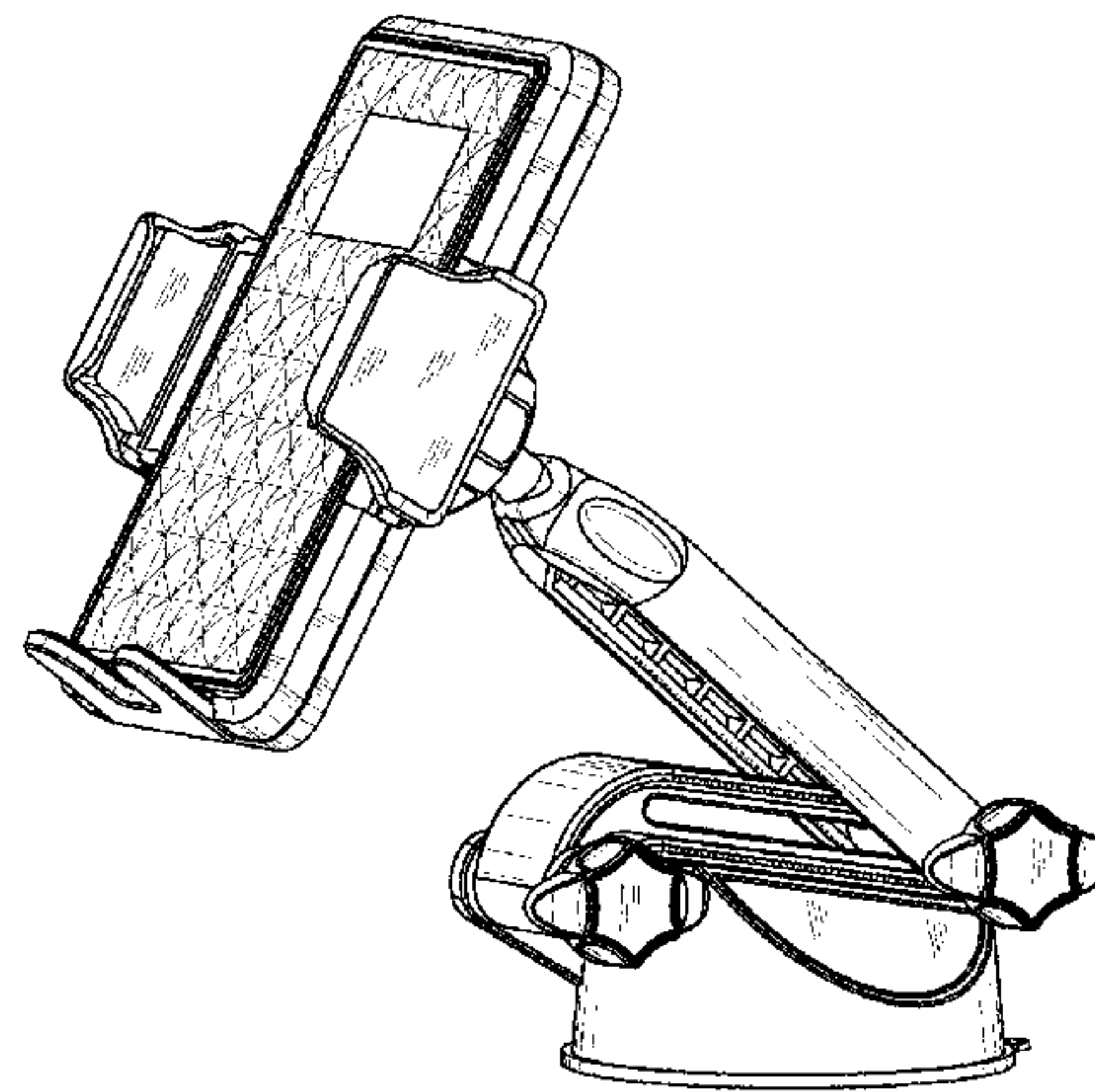
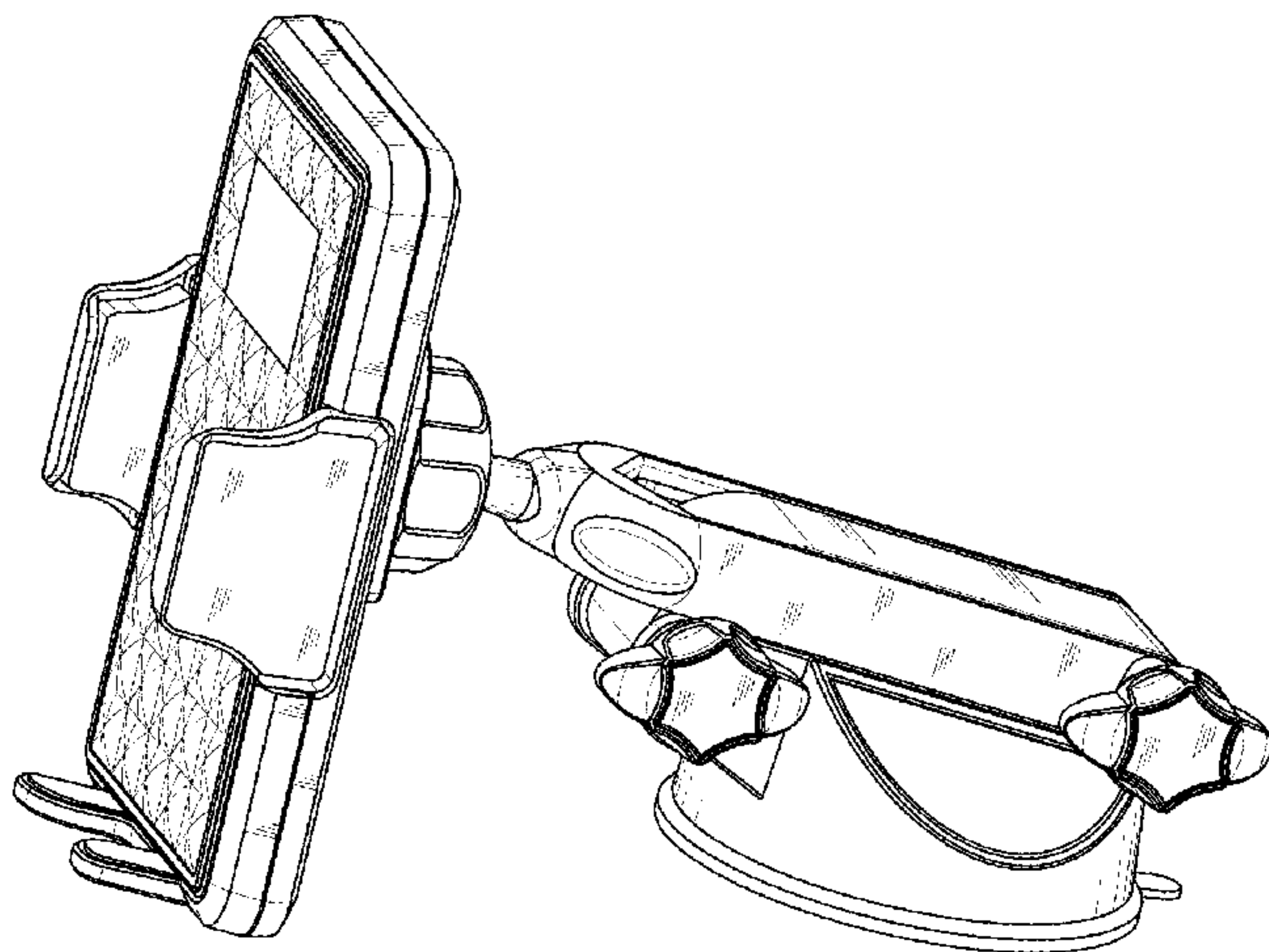
FIG. 10 is another perspective view of the car mount with its movable supporting arm in a third position;

FIG. 11 is a side view thereof;

FIG. 12 is a bottom view thereof; and,

FIG. 13 is a top view thereof.

1 Claim, 11 Drawing Sheets



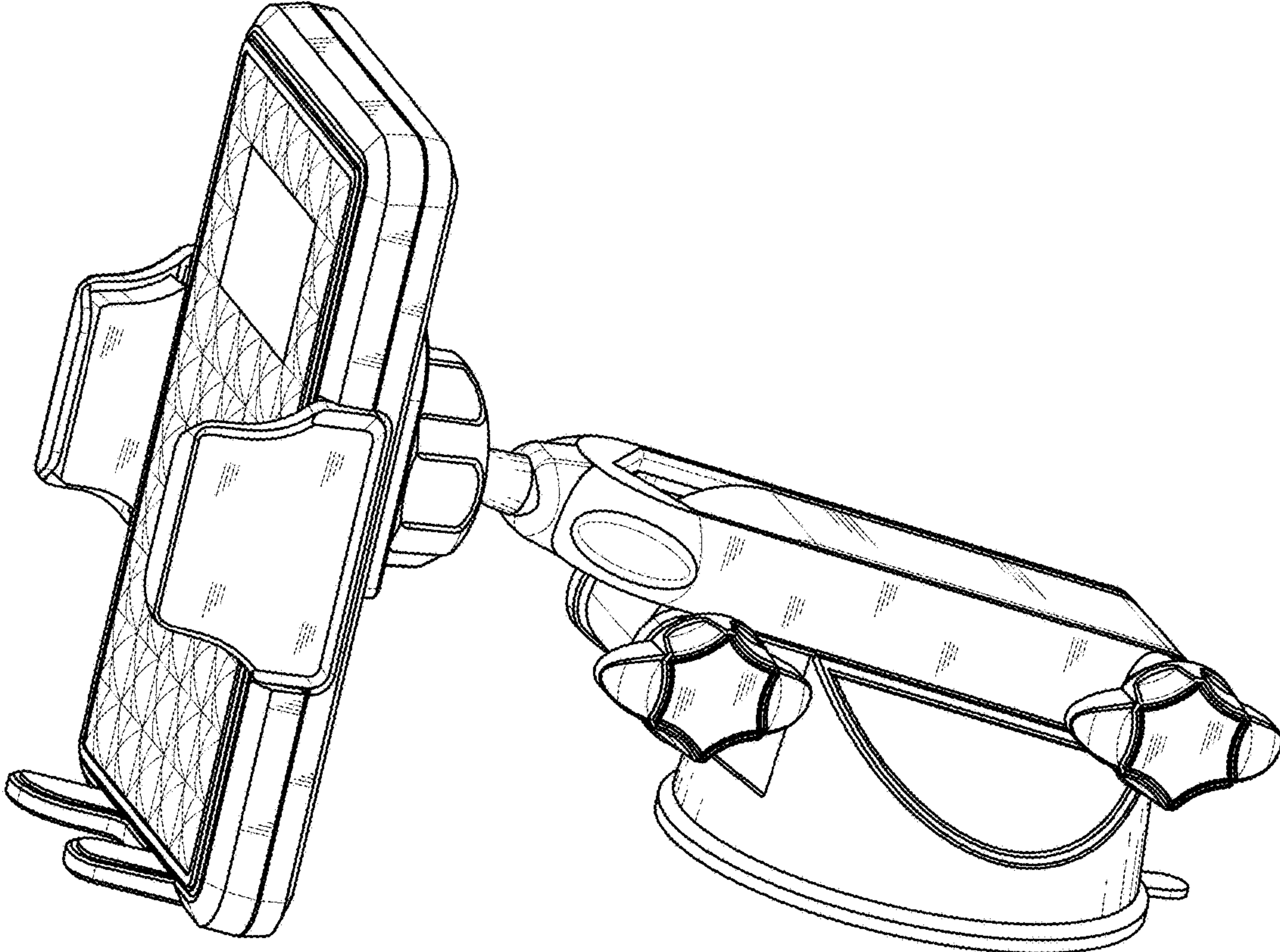


FIG. 1

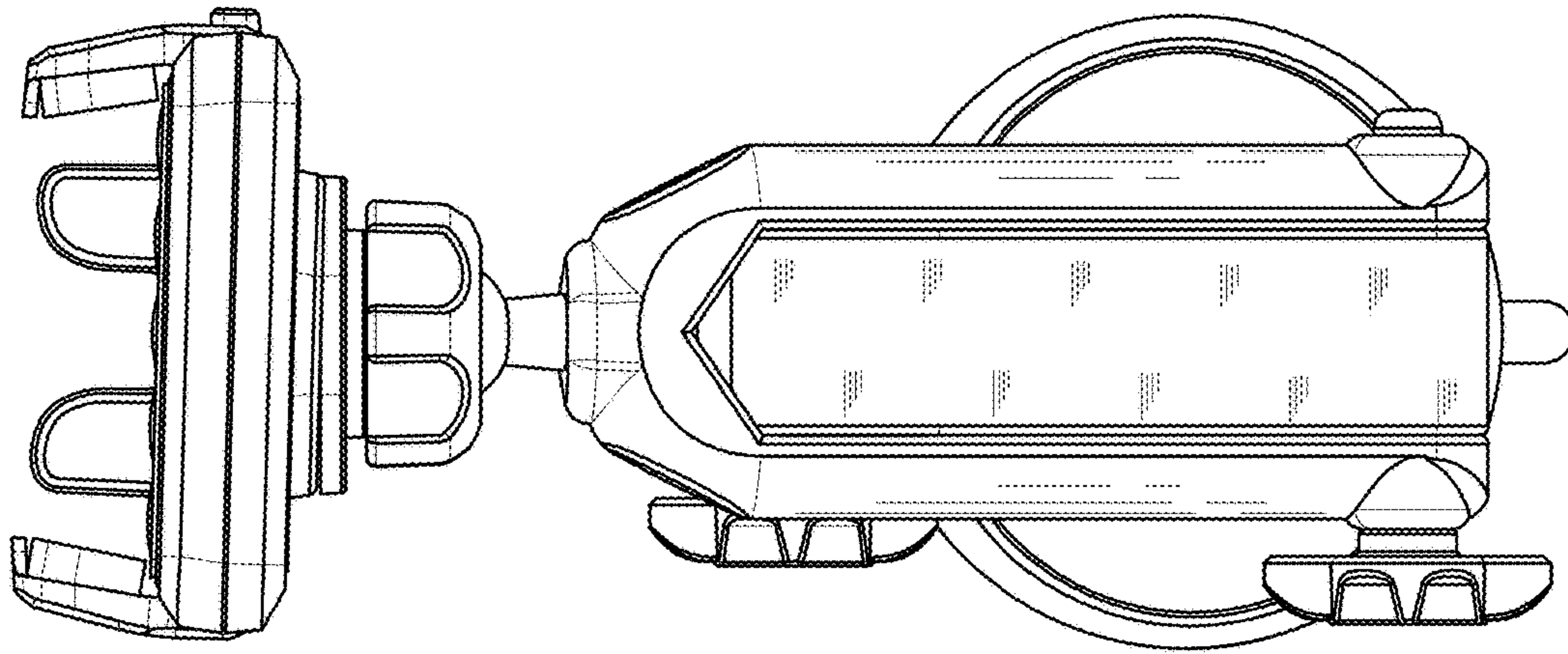


FIG. 2

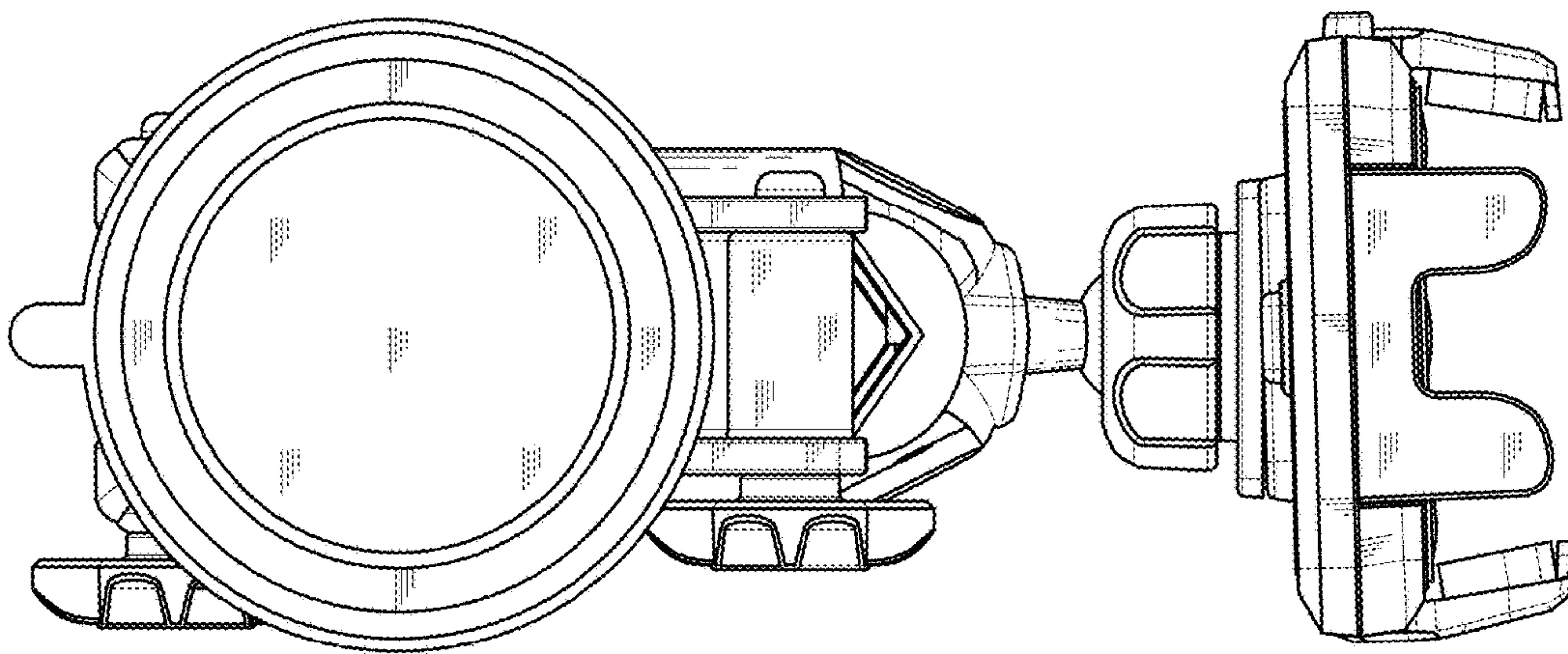


FIG. 3

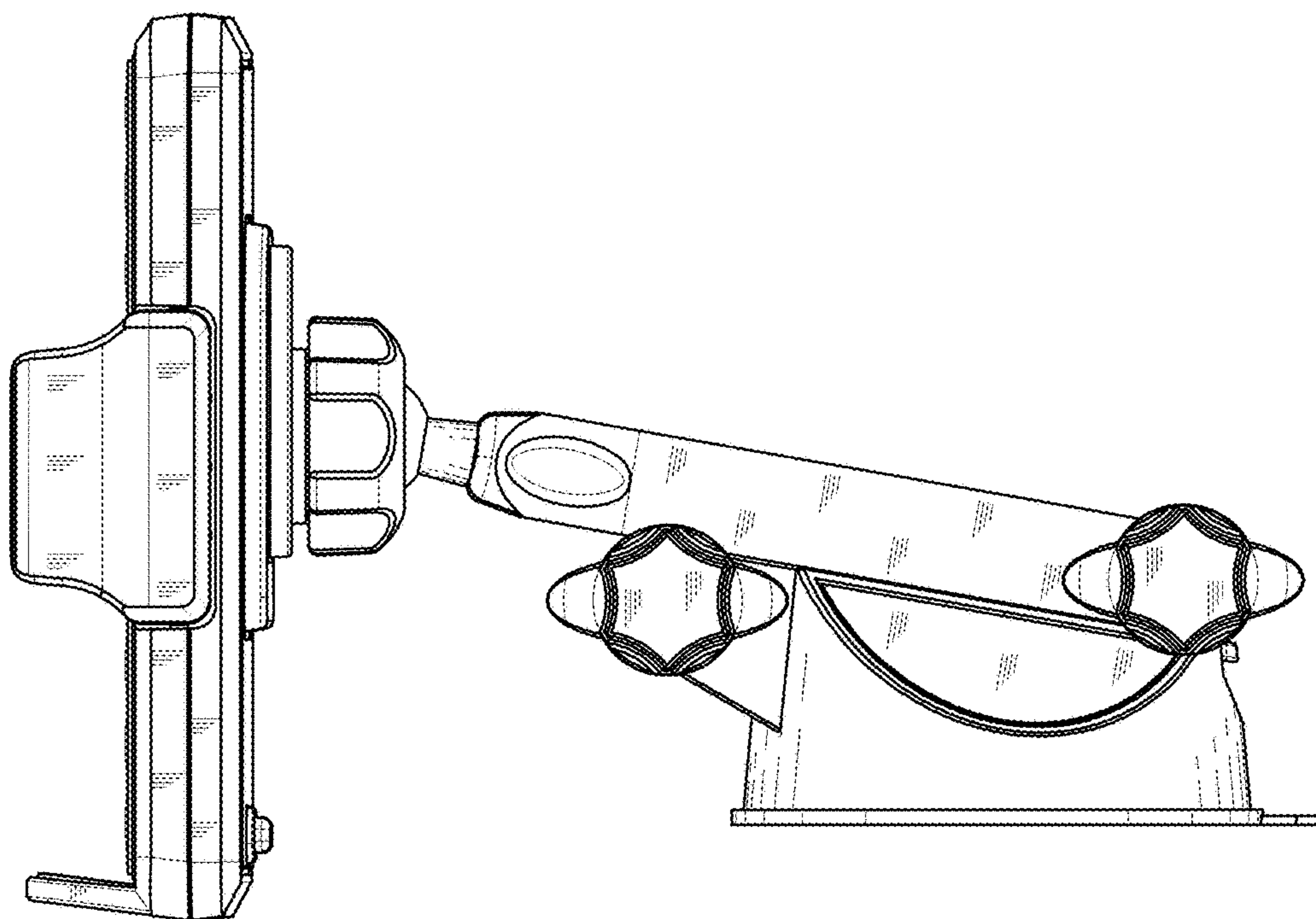


FIG. 4

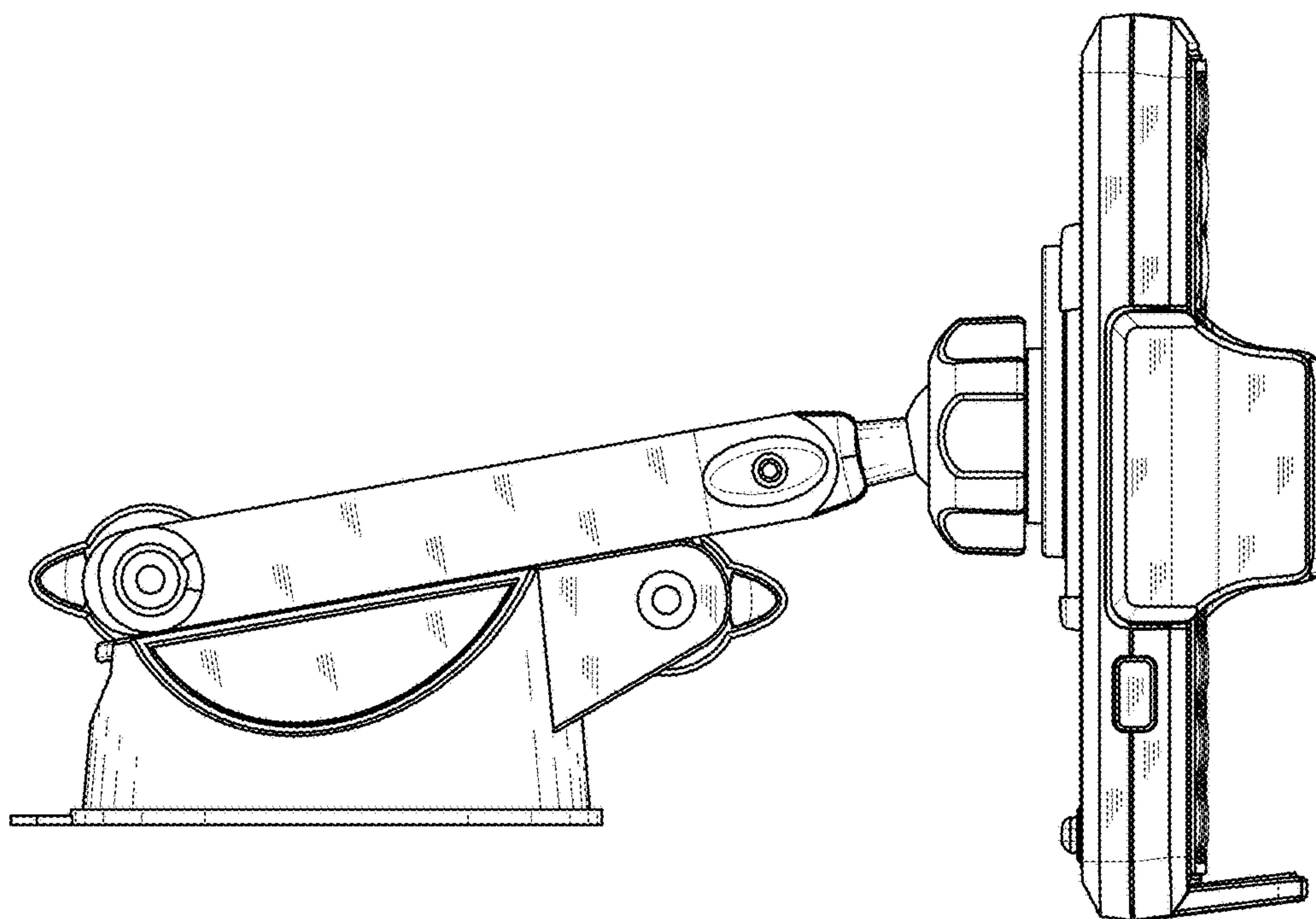


FIG. 5

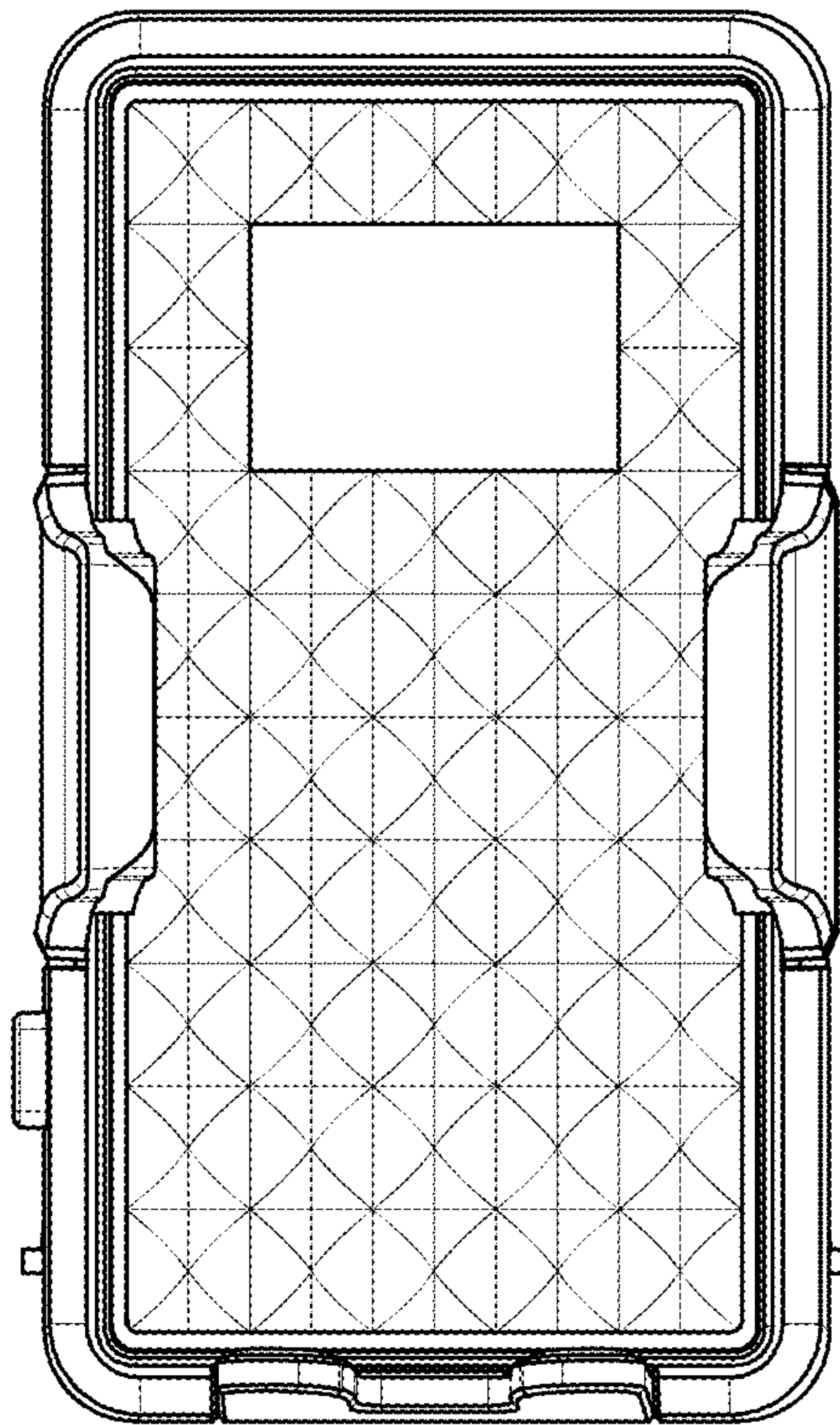


FIG. 6

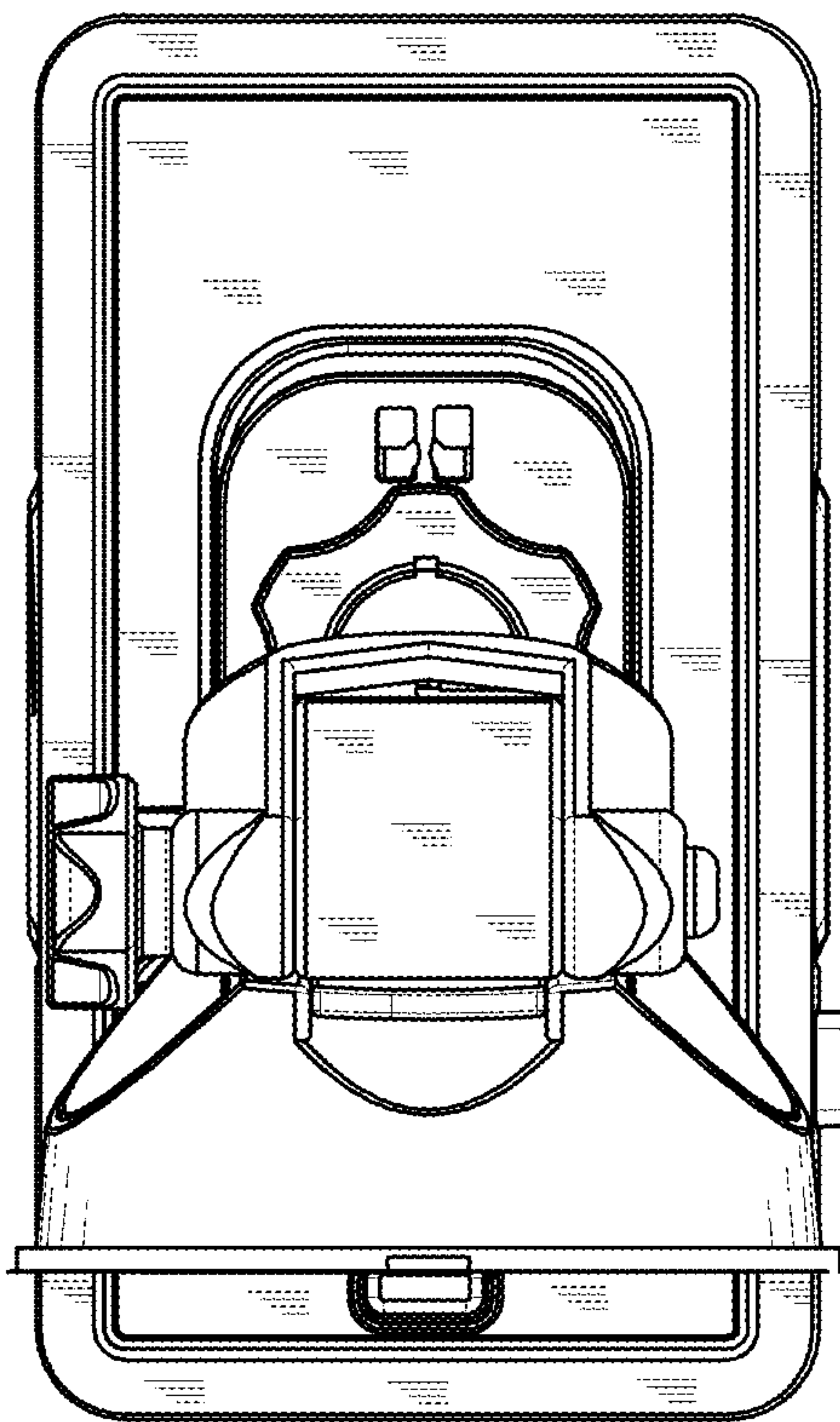


FIG. 7

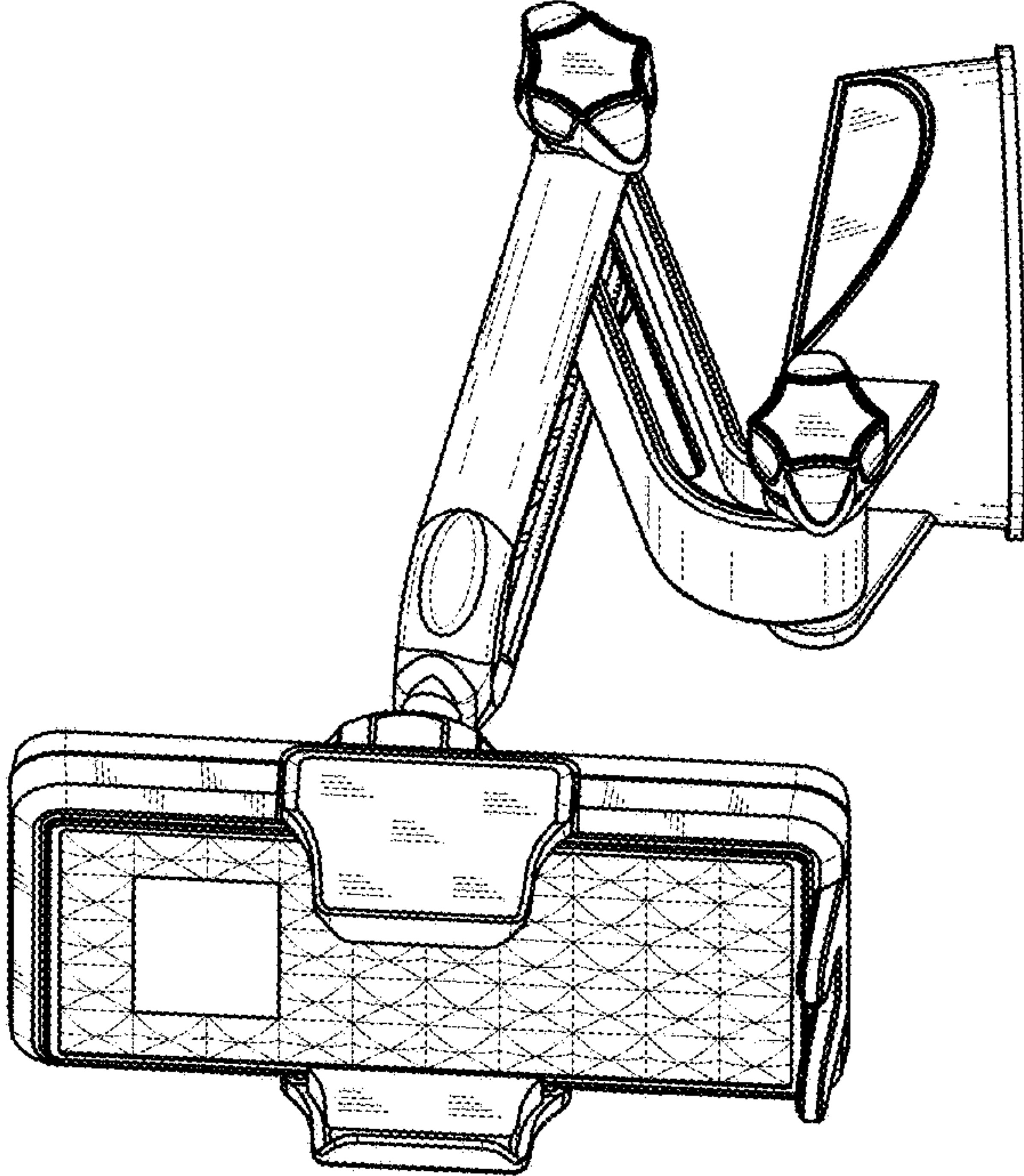


FIG. 8

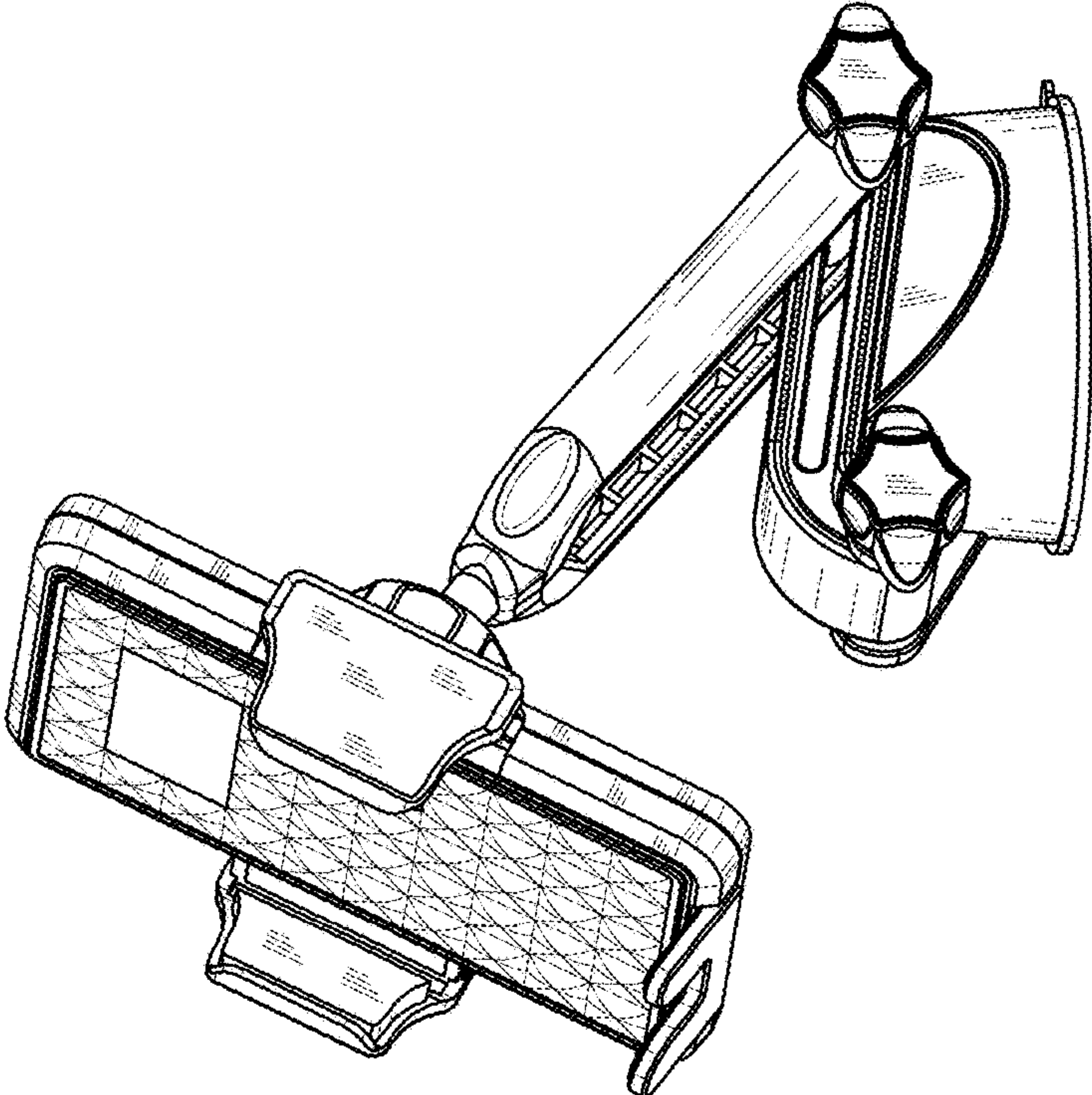


FIG. 9

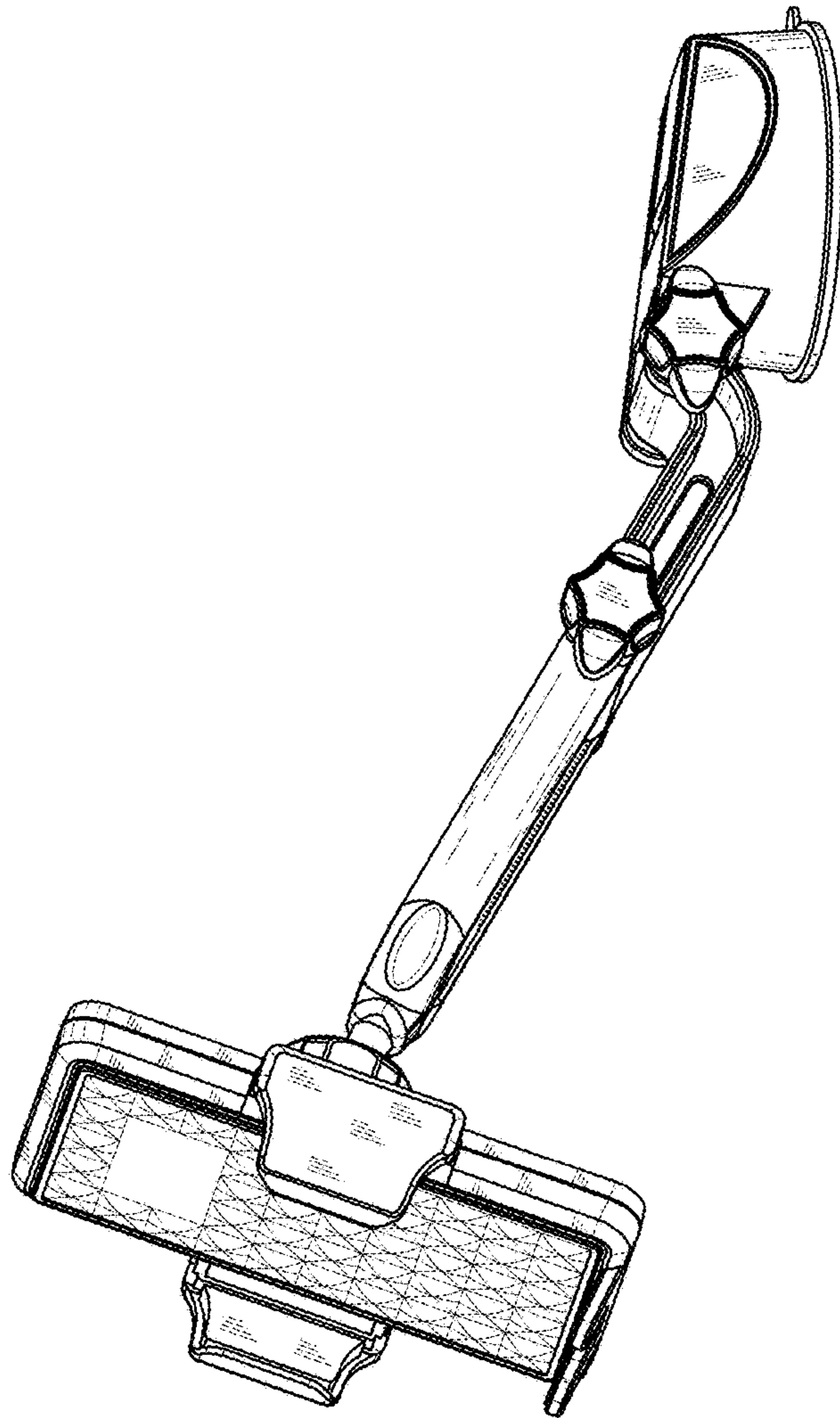


FIG. 10

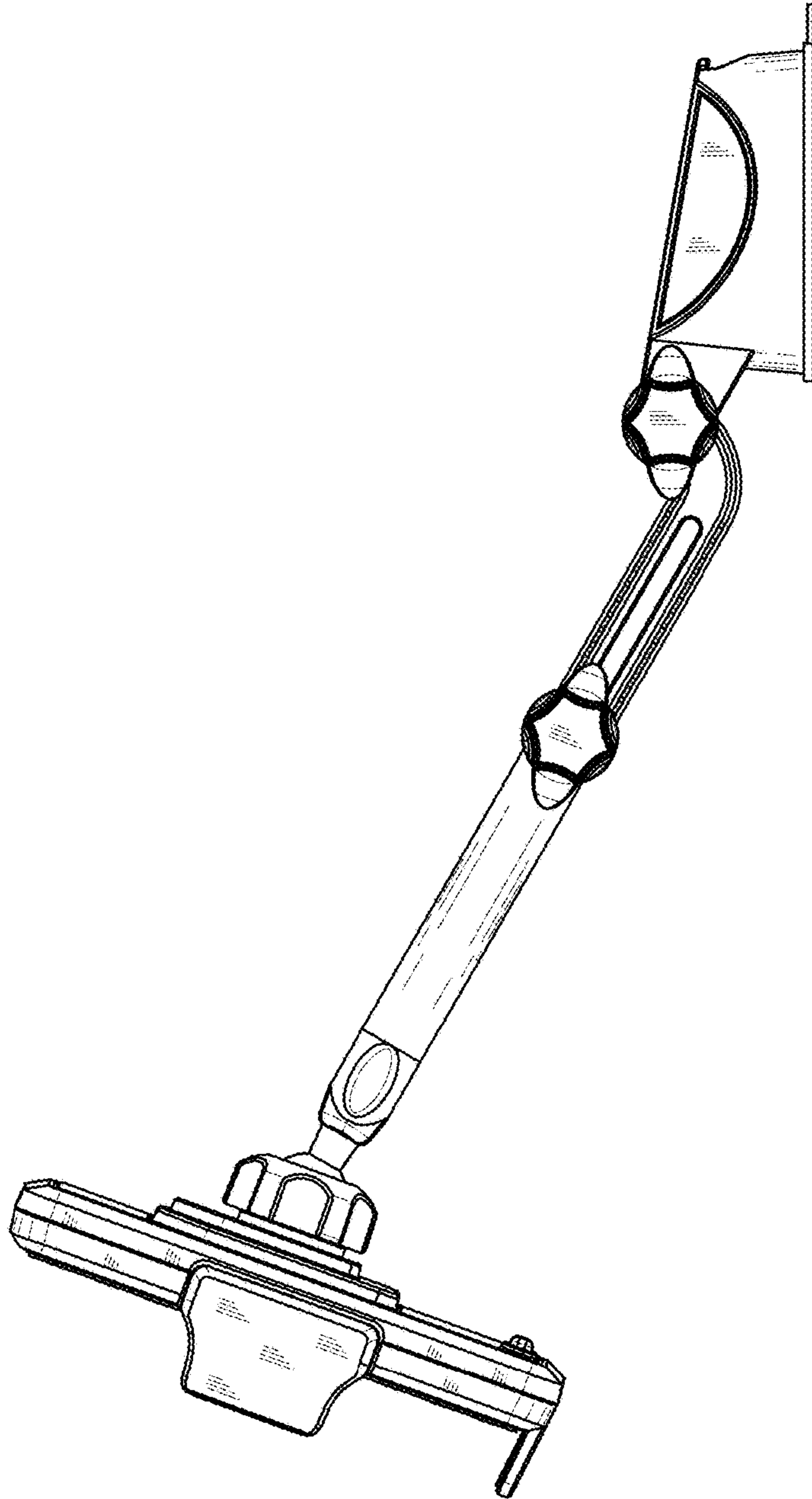


FIG. 11

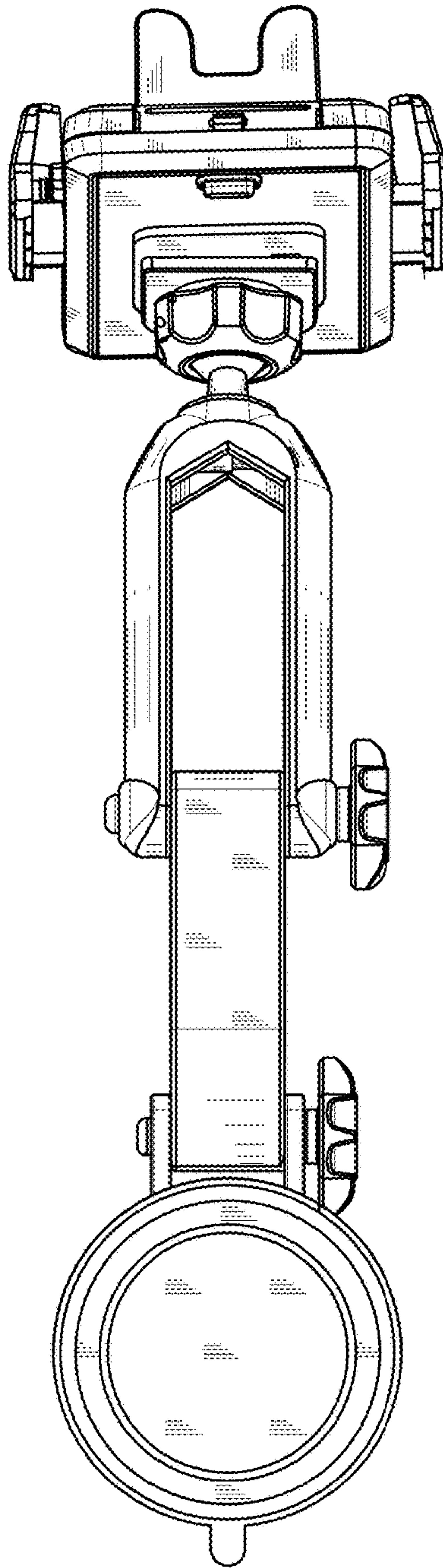


FIG. 12

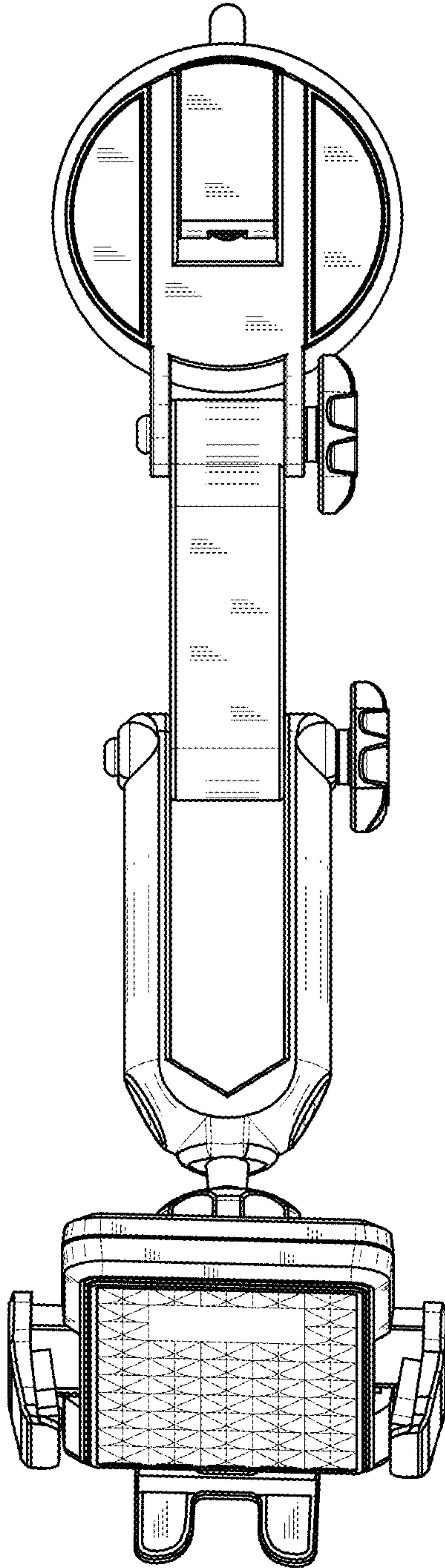


FIG. 13