



US00D833363S

(12) **United States Design Patent** (10) **Patent No.:** **US D833,363 S**
Chung (45) **Date of Patent:** **** Nov. 13, 2018**

(54) **WHEEL PART**
(71) Applicant: **Wheel Pros, LLC**, Greenwood Village, CO (US)
(72) Inventor: **Suny Chung**, Anaheim, CA (US)
(**) Term: **15 Years**
(21) Appl. No.: **29/569,499**

D408,775 S 4/1999 Shikado
D455,698 S 4/2002 Chung
6,435,563 B2 * 8/2002 Phillips F16L 23/032
285/15
D467,212 S 12/2002 Noriega
D478,542 S 8/2003 Sulahian
D482,996 S 12/2003 Sulahian
D492,925 S 7/2004 Fitzgerald
D496,317 S 9/2004 Kataoka
D698,298 S * 1/2014 Cortes D12/210
(Continued)

(22) Filed: **Jun. 28, 2016**
(51) **LOC (11) Cl.** **12-16**
(52) **U.S. Cl.**
USPC **D12/213**
(58) **Field of Classification Search**
USPC D12/204–213; D21/533, 561, 563
CPC B60B 7/00; B60B 7/02; B60B 7/04; B60B 7/06; B60B 3/02; B60B 3/04; B60B 3/06; B60B 3/10; B60B 1/00; B60B 1/08; B60B 1/10; B60B 1/12
See application file for complete search history.

FOREIGN PATENT DOCUMENTS

EM DM000658620-0014 * 3/2007

OTHER PUBLICATIONS

RedRC.net, Red RC-RC Car News—Traxxas TRX-4 2.2" beadlock wheels & tyres, Jun. 2018, online product page, pp. 3-4, retrieved Aug. 22, 2018 from <URLhttp://www.redrc.net/2018/06/traxxas-trx-4-2-2-beadlock-wheels-tyres/> (Year: 2018).*
(Continued)

(56) **References Cited**

U.S. PATENT DOCUMENTS

630,641 A * 8/1899 Albree F16L 55/178
285/413
1,051,087 A * 1/1913 Clark F16L 55/178
277/623
1,062,438 A * 5/1913 Clark F16L 55/178
285/337
1,240,486 A * 9/1917 Price F16L 55/178
285/148.6
D53,544 S * 7/1919 West D12/205
4,240,670 A * 12/1980 Zorn B60B 7/00
301/108.4
D273,102 S 3/1984 Woodward
D291,796 S 9/1987 Reid
D361,975 S 9/1995 Weld
5,542,750 A * 8/1996 FitzGerald B60B 7/00
301/108.4
D406,093 S * 2/1999 Wissen D12/213

Primary Examiner — Sheryl Lane
Assistant Examiner — Calvin E Vansant
(74) *Attorney, Agent, or Firm* — Eric Hanscow

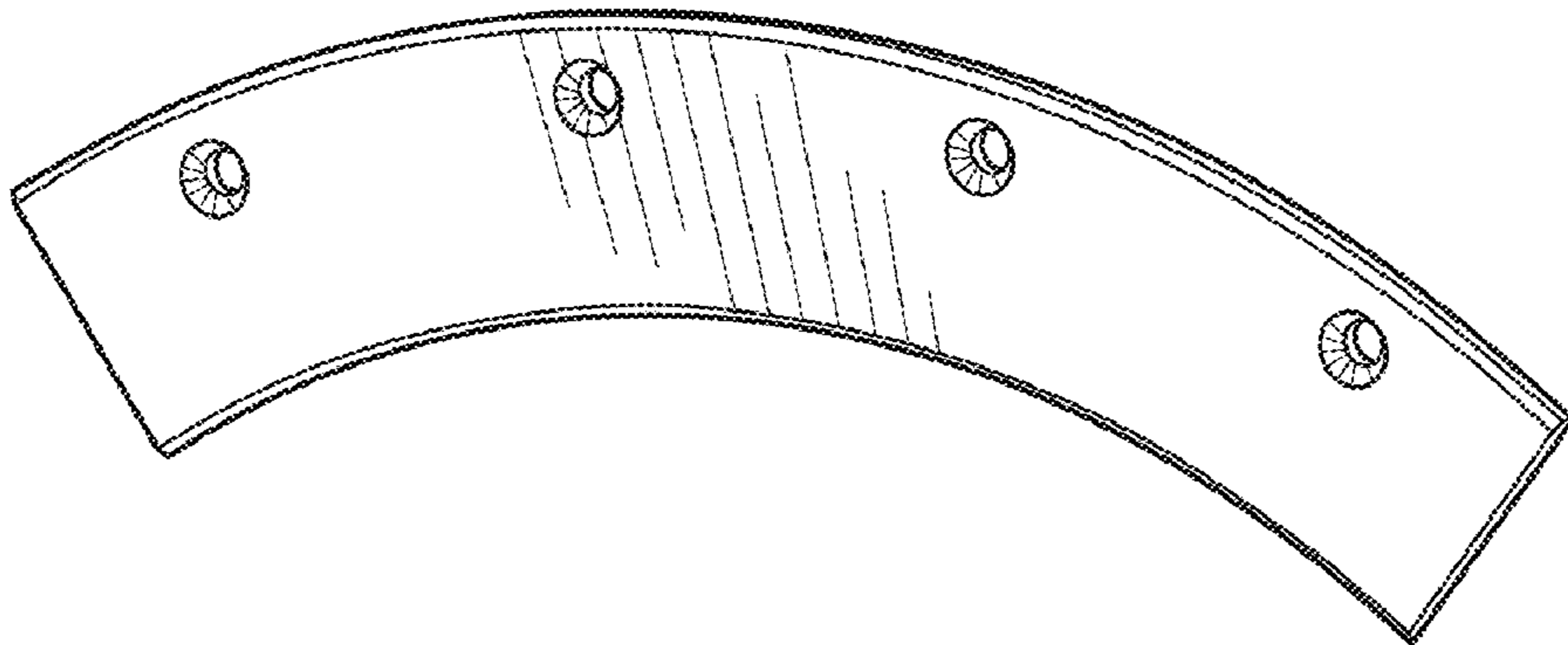
(57) **CLAIM**

The ornamental design for a wheel part, as shown and described.

DESCRIPTION

FIG. 1 is a perspective view of a wheel part showing my new design;
FIG. 2 is a front view thereof;
FIG. 3 is a back view thereof;
FIG. 4 is a left-side view thereof;
FIG. 5 is a right-side view thereof; and,
FIG. 6 is a bottom view thereof.

1 Claim, 2 Drawing Sheets



(56)

References Cited

U.S. PATENT DOCUMENTS

D701,812	S	*	4/2014	Hale, Jr.	D12/211
D704,122	S	*	5/2014	Chung	D12/211
D711,304	S		8/2014	Chung		
D715,211	S		10/2014	Gotschke		
D715,721	S	*	10/2014	Chung	D12/211
D727,829	S	*	4/2015	Chung	D12/211
D782,954	S	*	4/2017	Liffick	D12/211
D782,955	S	*	4/2017	Zhao	D12/211
D786,168	S	*	5/2017	Chung	D12/213
D791,057	S	*	7/2017	Johnson	D12/211
D792,317	S	*	7/2017	Chung	D12/213
D792,831	S	*	7/2017	Chung	D12/213
D805,987	S	*	12/2017	Major	D12/204
D810,645	S	*	2/2018	Sklyut	D12/204
2015/0226249	A1	*	8/2015	Otto	F16B 31/028 29/525.02

OTHER PUBLICATIONS

Trail-Gear.com, Creeper Lock Beadlock Wheels, online product page, Jun. 2017, p. 4, retrieved Aug. 22, 2018 from Archive.org <URL <https://web.archive.org/web/20170606014232/http://www.trail-gear.com/product/5355/creeper-lock-beadlock-wheels-8-x-170mm>> (Year: 2017).*

MarineDepotDirect.com, Bronze Fixed Portlights, online product page, undated, retrieved Aug. 22, 2018 from <URL <https://www.marinedepotdirect.com/bronze-fixed-portlights.html>> (Year: 2018).*

* cited by examiner

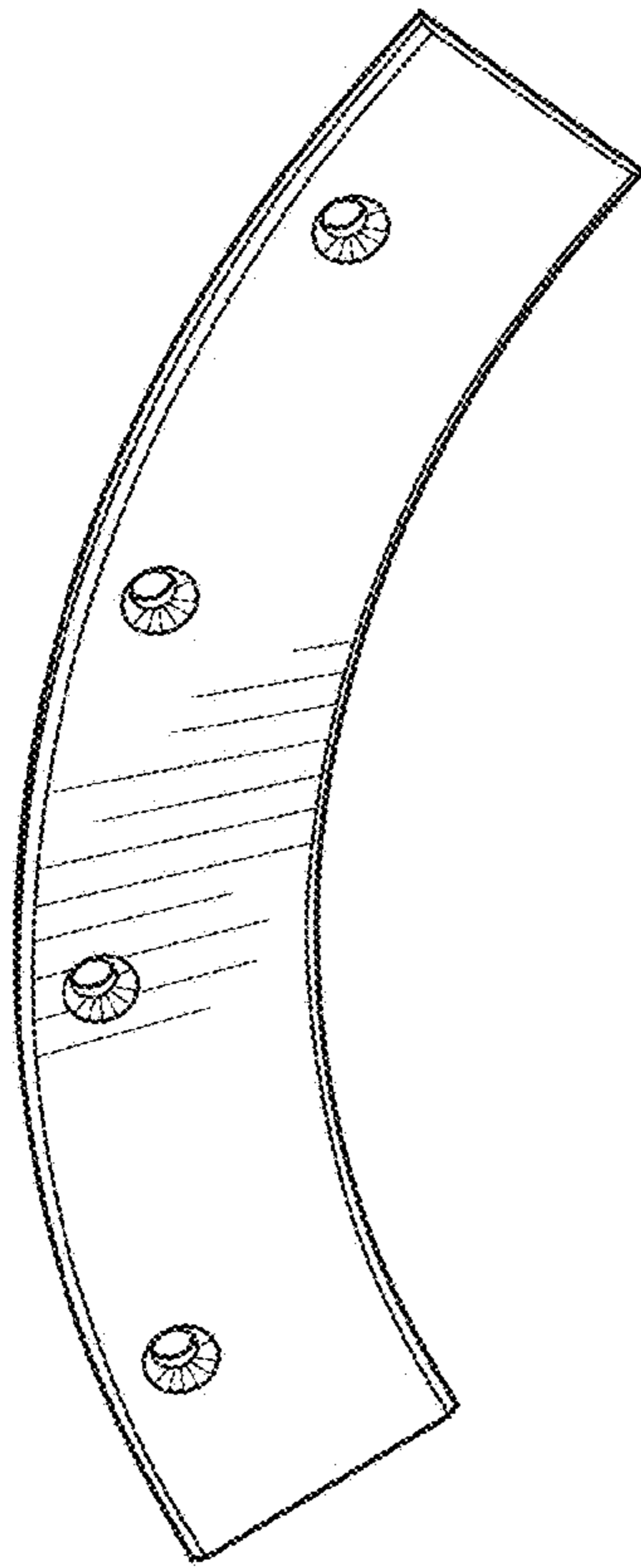


Figure 1

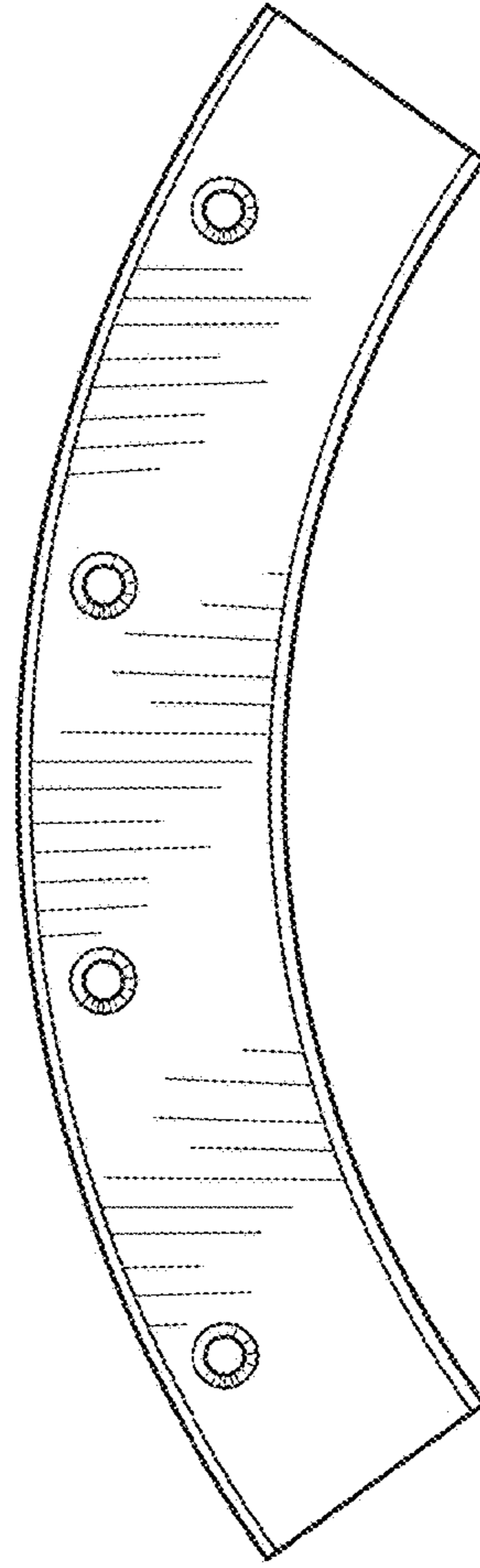


Figure 2

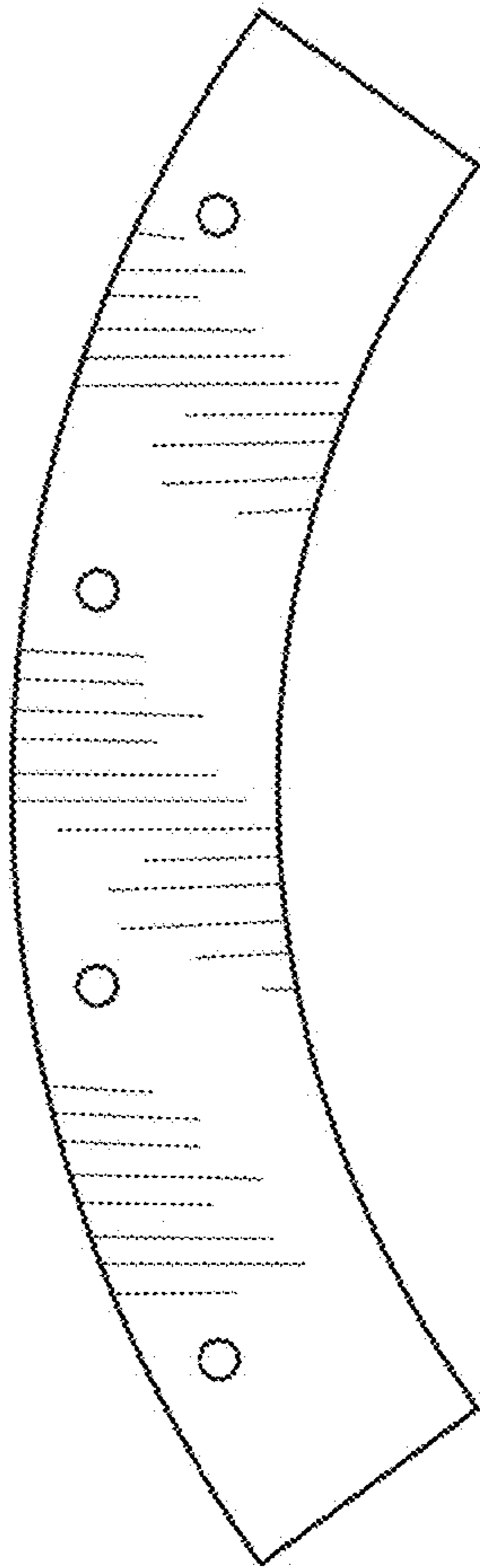


Figure 3

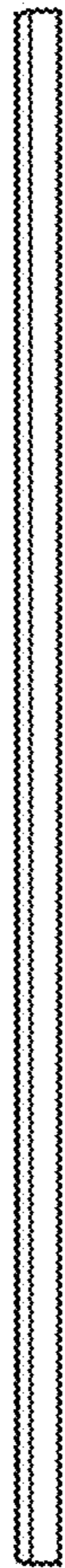


Figure 4

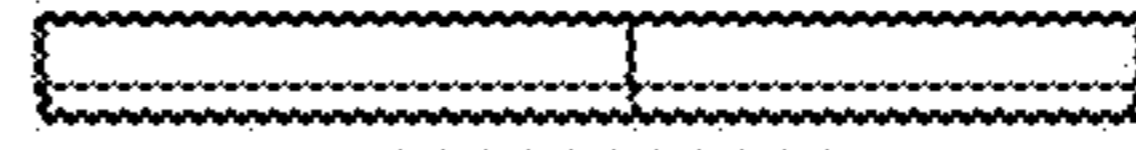


Figure 6

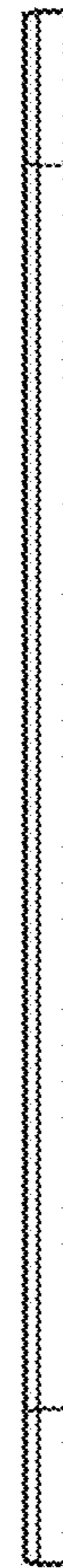


Figure 5