



US00D833362S

(12) **United States Design Patent**
Bjerke

(10) **Patent No.:** **US D833,362 S**

(45) **Date of Patent:** **** Nov. 13, 2018**

(54) **VEHICLE WHEEL**

(71) Applicant: **VOLVO CAR CORPORATION,**
Gothenburg (SE)

(72) Inventor: **Ole-Kristian Bjerke,** Gothenburg (SE)

(73) Assignee: **Volvo Car Corporation,** Gothenburg
(SE)

(**) Term: **15 Years**

(21) Appl. No.: **35/504,138**

(22) Filed: **Oct. 17, 2017**

(80) **Hague Agreement Data**

Int. Filing Date: **Oct. 17, 2017**

Int. Reg. No.: **DM/098767**

Int. Reg. Date: **Oct. 17, 2017**

Int. Reg. Pub. Date: **Dec. 15, 2017**

(30) **Foreign Application Priority Data**

May 11, 2017	(EM)	003994797-0001
May 11, 2017	(EM)	003994797-0002
May 11, 2017	(EM)	003994797-0003
May 11, 2017	(EM)	003994797-0004
May 11, 2017	(EM)	003994797-0005
May 11, 2017	(EM)	003994797-0006
May 11, 2017	(EM)	003994797-0007
May 11, 2017	(EM)	003994797-0008

(51) **LOC (11) Cl.** **12-16**

(52) **U.S. Cl.**
USPC **D12/211**

(58) **Field of Classification Search**
USPC D12/204, 206, 208, 209, 211, 501
CPC B60B 7/0013; B60B 7/04; B60B 2320/50;
B60B 25/00; B60B 2900/572; B60B 7/01;
B60B 7/063; B60B 7/066
See application file for complete search history.

(56) **References Cited**

U.S. PATENT DOCUMENTS

D486,110 S *	2/2004	Elmitt	D12/211
D706,699 S *	6/2014	Platto	D12/211
D715,208 S *	10/2014	Grake	D12/204
D715,211 S *	10/2014	Gotschke	D12/204
D774,439 S *	12/2016	Gallert	D12/211
D775,047 S *	12/2016	Wheel	D12/211
D792,312 S *	7/2017	Wilson	D12/211
D805,994 S *	12/2017	Platto	D12/211
D808,324 S *	1/2018	Ninov	D12/211
D811,979 S *	3/2018	Svensson	D12/211
D823,775 S *	7/2018	Sempek	D12/211

* cited by examiner

Primary Examiner — Michael A. Pratt

(74) *Attorney, Agent, or Firm* — Snyder, Clark, Lesch & Chung, LLP

(57) **CLAIM**

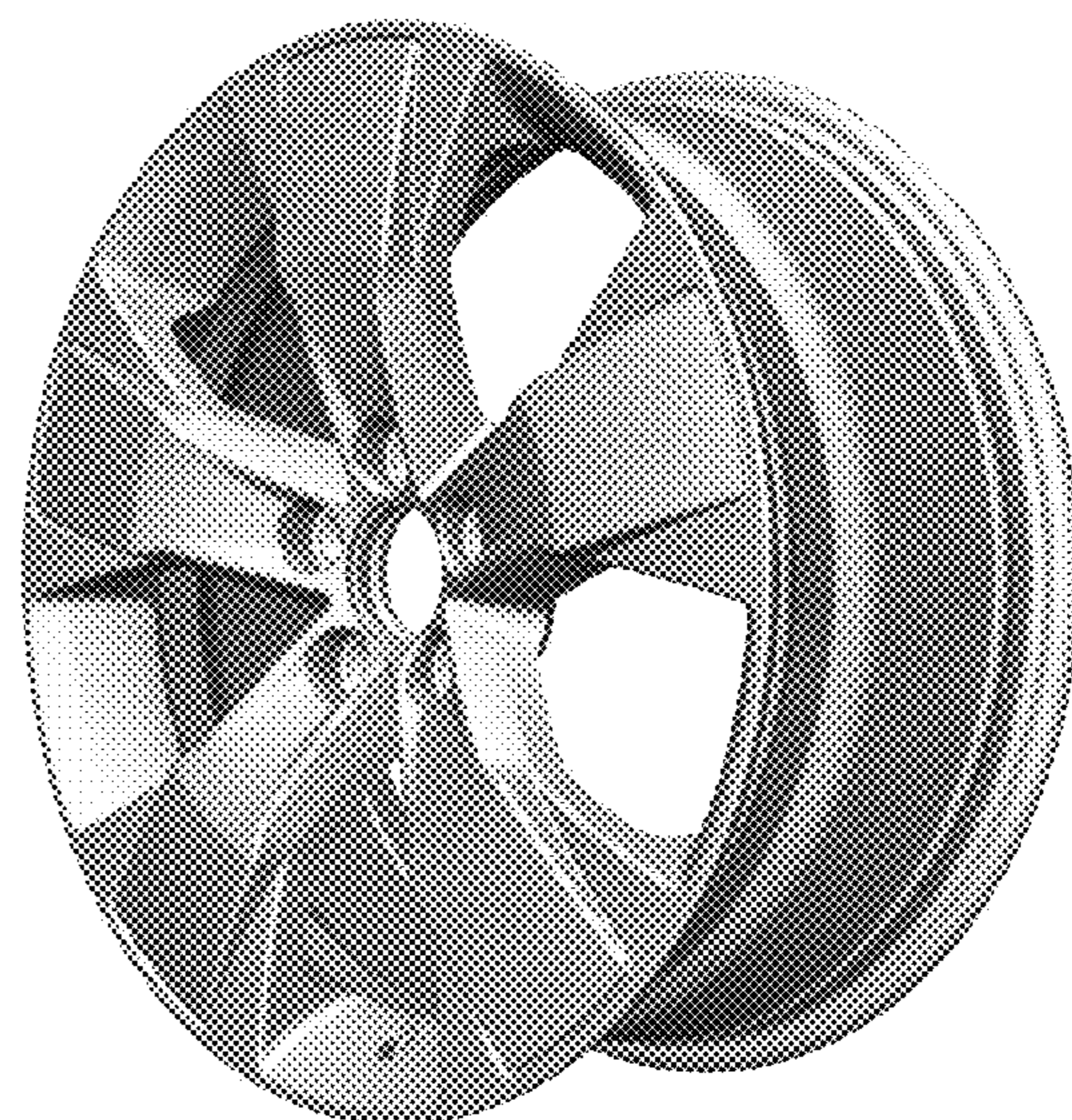
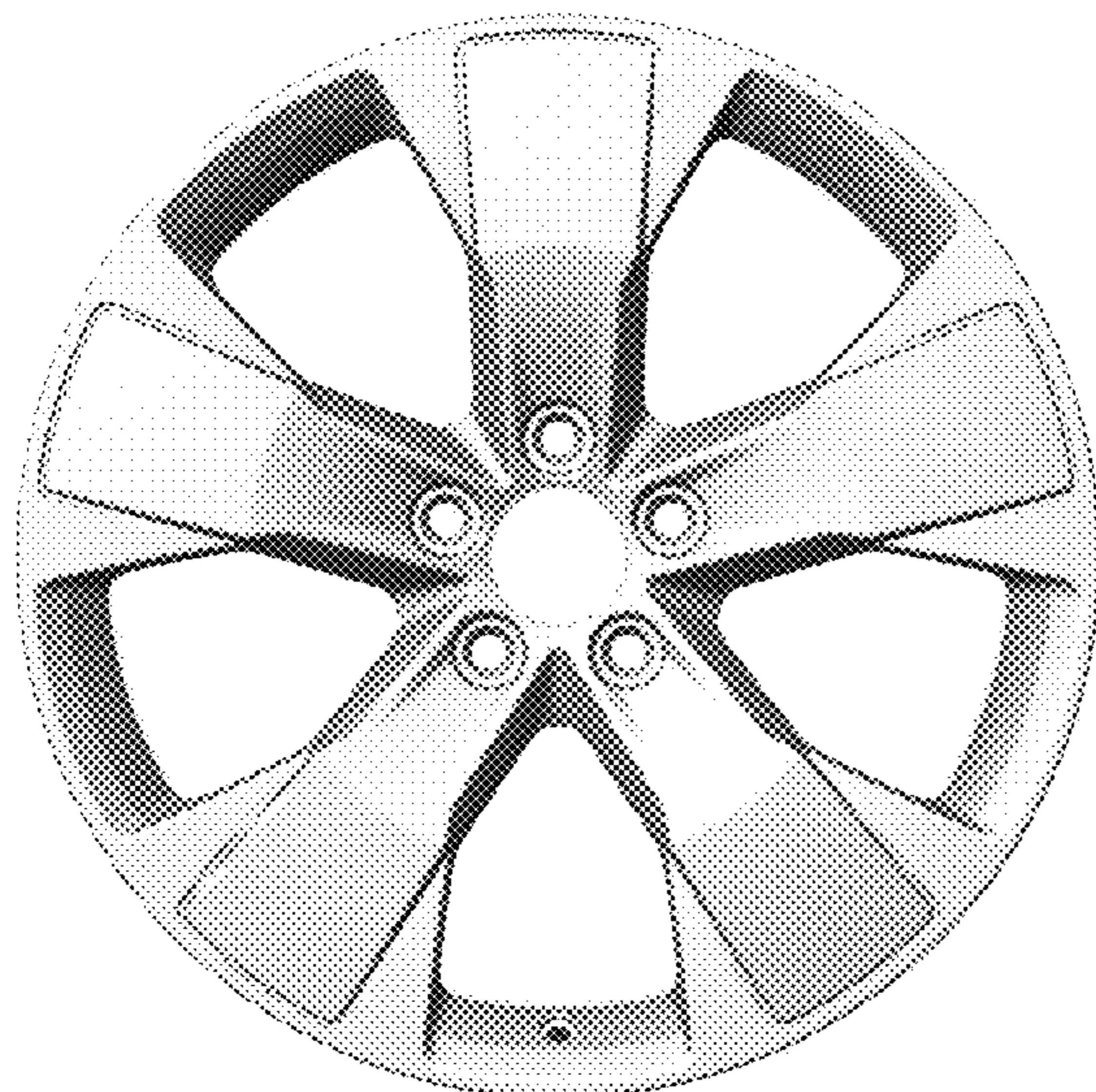
The ornamental design for a vehicle wheel, as shown and described.

DESCRIPTION

The patent or application file contains at least one drawing executed in color. Copies of this patent or patent application publication with color drawing(s) will be provided by the Office upon request and payment of the necessary fee.

- 1. Vehicle wheel
- 1.1: Front
- 1.2: Perspective
- 1.3: Perspective
- 1.4: Rear
- 1.5: Left
- 1.6: Right
- 1.7: Top
- 1.8: Bottom

1 Claim, 8 Drawing Sheets
(8 of 8 Drawing Sheet(s) Filed in Color)



1.1



1.2



1.3



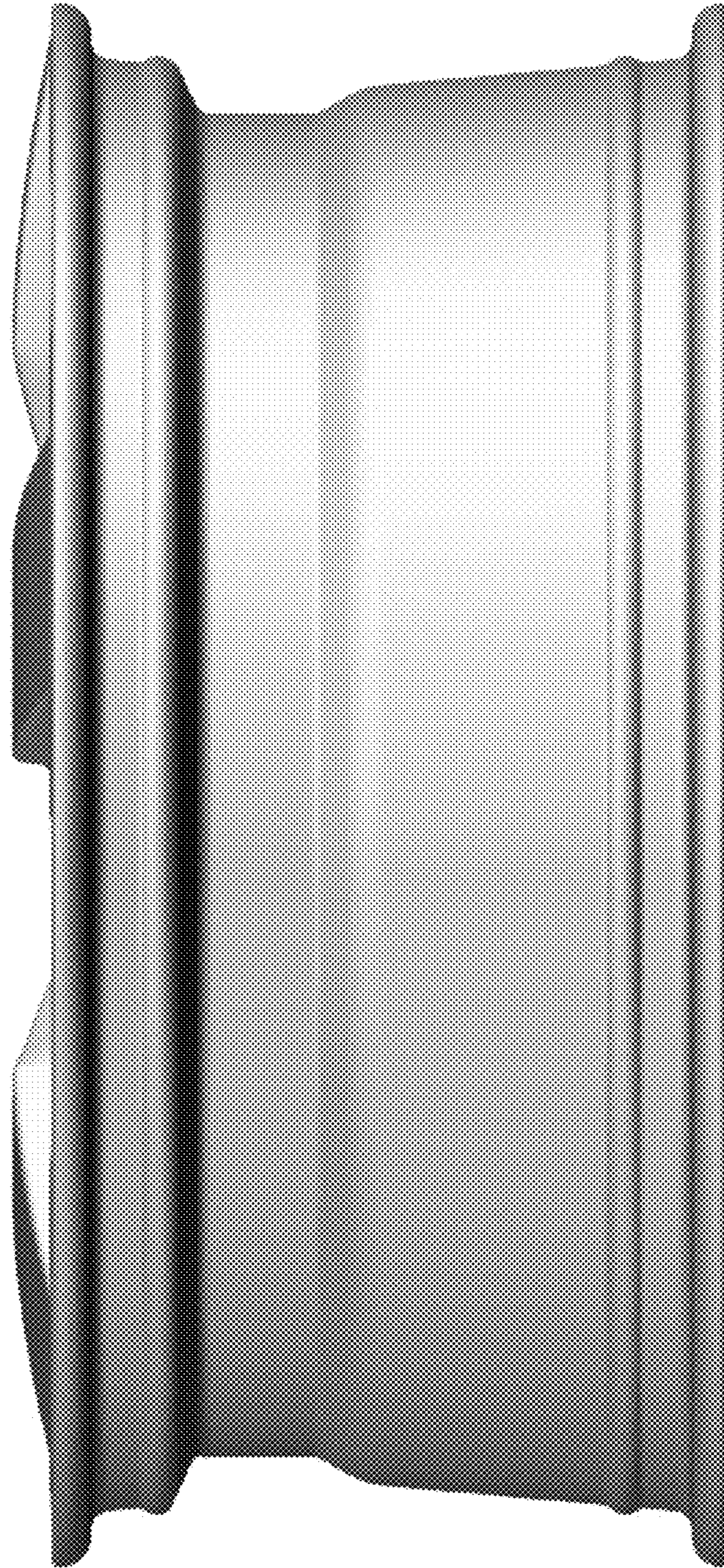
1.4



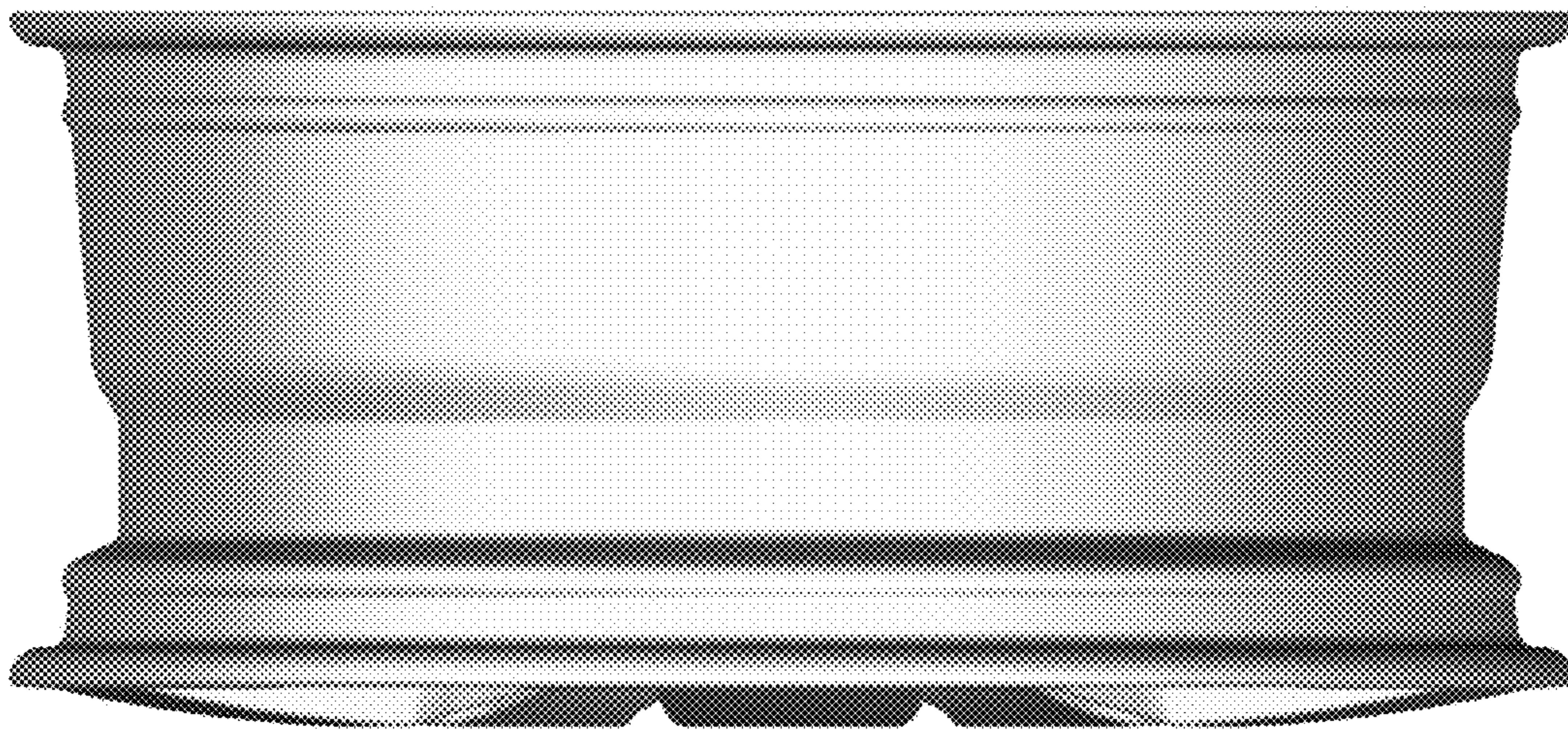
1.5



1.6



1.7



1.8

