



US00D833360S

(12) **United States Design Patent**
Kong

(10) **Patent No.:** **US D833,360 S**

(45) **Date of Patent:** **** Nov. 13, 2018**

(54) **WHEEL**

(71) Applicant: **Wheel Pros, LLC**, Greenwood Village,
CO (US)

(72) Inventor: **Yee Wan Kong**, Hong Kong (HK)

(**) Term: **15 Years**

(21) Appl. No.: **29/608,099**

(22) Filed: **Jun. 19, 2017**

(51) **LOC (11) Cl.** **12-16**

(52) **U.S. Cl.**
USPC **D12/209**

(58) **Field of Classification Search**
USPC D12/204–213
CPC B60B 7/00; B60B 7/02; B60B 7/04; B60B
7/01; B60B 7/06; B60B 3/02; B60B 3/04;
B60B 3/06; B60B 3/10; B60B 1/00;
B60B 1/08; B60B 1/10; B60B 1/12
See application file for complete search history.

(56) **References Cited**

U.S. PATENT DOCUMENTS

D470,094 S	2/2003	van Hooydonk	
D480,036 S	9/2003	Laengerer	
D528,495 S	9/2006	Truebsbach	
D538,726 S	3/2007	Wright	
D538,727 S	3/2007	Wright	
D542,209 S	5/2007	Pfeiffer	
D576,535 S *	9/2008	Chung	D12/209
D583,290 S	12/2008	Wang	
D585,801 S	2/2009	Wang	
D590,317 S *	4/2009	Chung	D12/211
D627,697 S	11/2010	Wang	
D651,150 S	12/2011	Biewer	

D651,151 S	12/2011	Biewer	
D669,009 S *	10/2012	Chung	D12/211
D698,300 S *	1/2014	Chung	D12/211
D699,173 S *	2/2014	Zhao	D12/211
D702,172 S *	4/2014	Chung	D12/211
D704,118 S *	5/2014	Chung	D12/209
D704,617 S	5/2014	Chung	
D706,697 S *	6/2014	Chung	D12/209
D706,702 S *	6/2014	Chung	D12/211
D707,167 S *	6/2014	Chung	D12/209
D709,020 S *	7/2014	Chung	D12/211
D715,724 S *	10/2014	Chung	D12/211
D746,754 S *	1/2016	Johnson	D12/209
D769,785 S	10/2016	Wells	
D780,655 S	3/2017	Trim	
D782,955 S *	4/2017	Zhao	D12/211
D794,532 S *	8/2017	Zhao	D12/211
D808,878 S *	1/2018	Sempek	D12/209
D813,780 S *	3/2018	Sempek	D12/209
D823,214 S *	7/2018	Chung	D12/209

* cited by examiner

Primary Examiner — Stacia A Cadmus

(74) *Attorney, Agent, or Firm* — Eric Hanscom

(57) **CLAIM**

The ornamental design for a wheel, as shown and described.

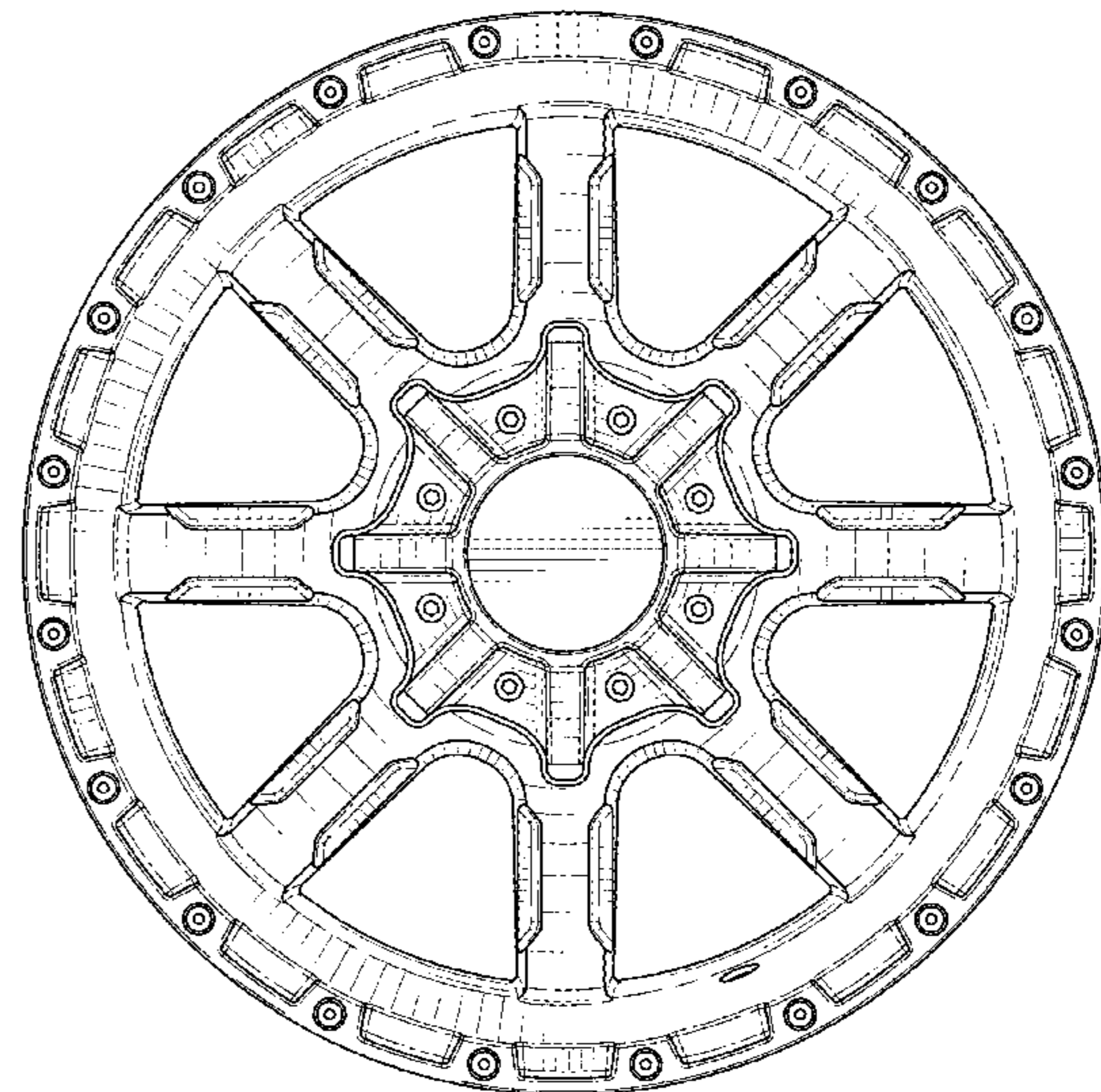
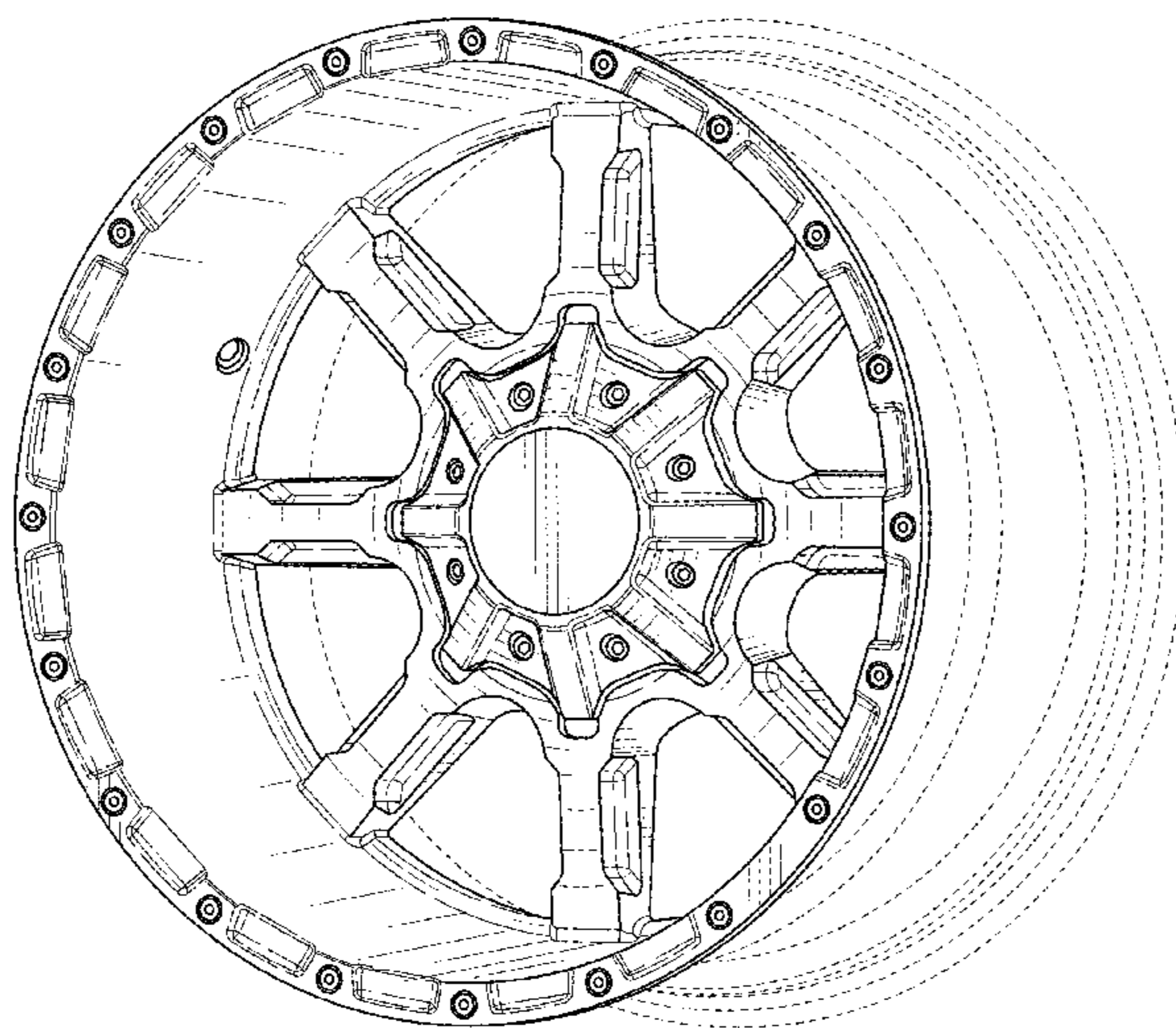
DESCRIPTION

FIG. 1 is a perspective view of a wheel showing my new design; and,

FIG. 2 is a front view thereof.

dashed lines represent material that is not claimed by this patent, and are for purposes of illustration only. Applicant is claiming the front portion of the wheel only and makes no claim to the ornamental design of the sides or back of the wheel.

1 Claim, 2 Drawing Sheets



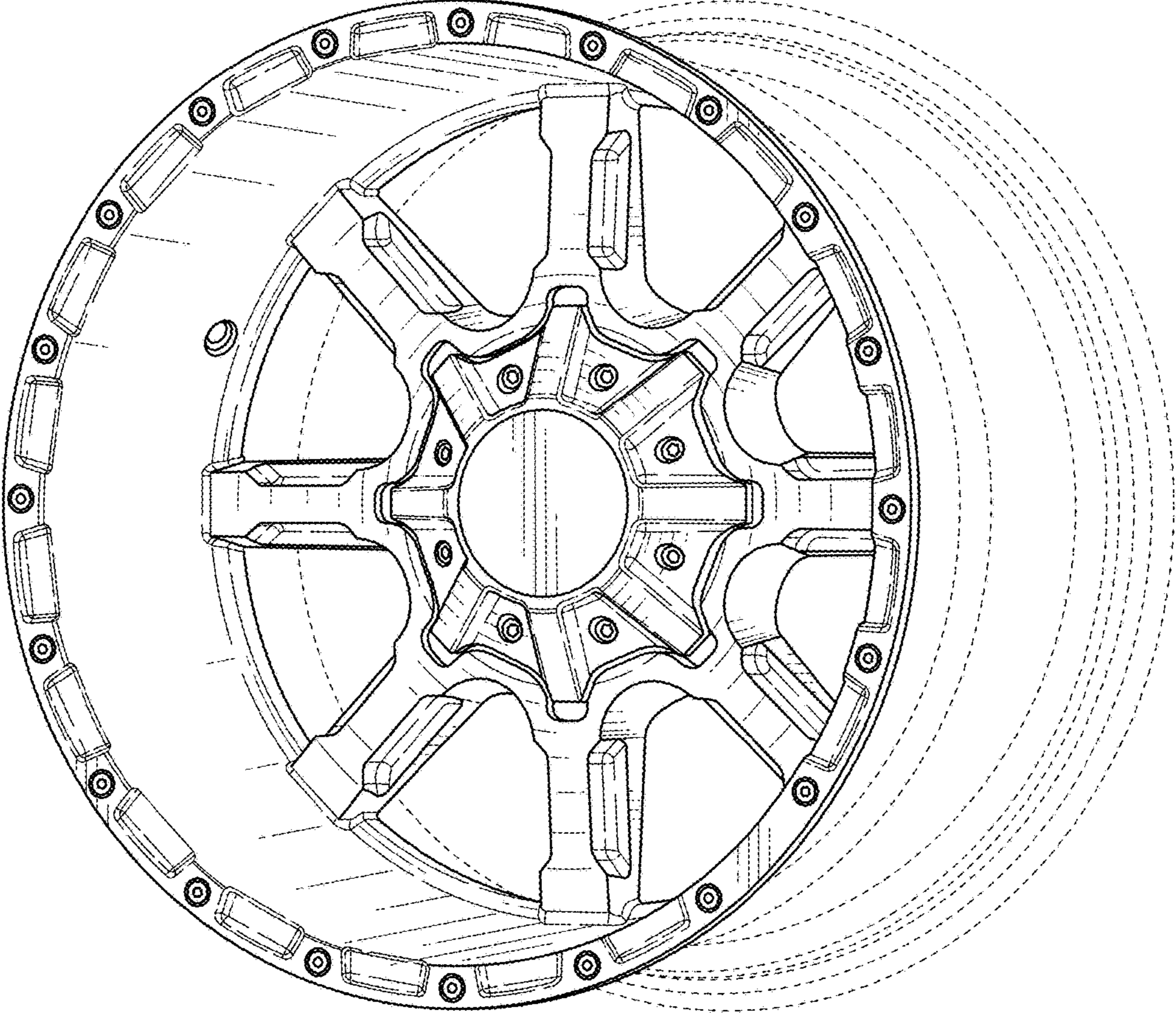


FIG. 1

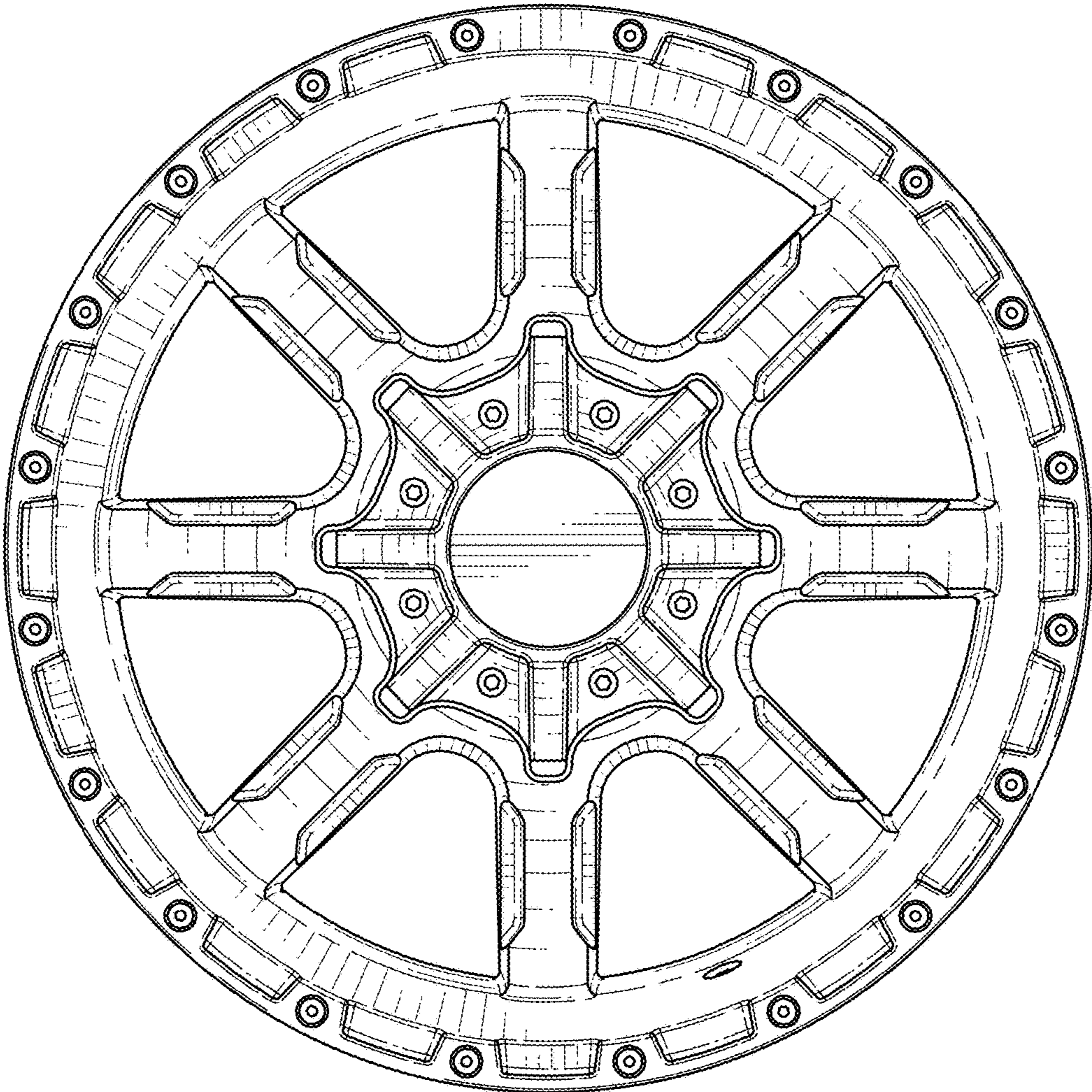


FIG. 2