



US00D833359S

(12) **United States Design Patent**
Ranum

(10) **Patent No.:** **US D833,359 S**

(45) **Date of Patent:** **** Nov. 13, 2018**

- (54) **VEHICLE WHEEL FRONT FACE**
- (71) Applicant: **Mobile Hi-Tech Wheels**, Rancho Dominguez, CA (US)
- (72) Inventor: **Yuri Ranum**, Rancho Dominguez, CA (US)
- (73) Assignee: **Mobile Hi-Tech Wheels**, Rancho Dominguez, CA (US)
- (**) Term: **15 Years**
- (21) Appl. No.: **29/601,875**
- (22) Filed: **Apr. 26, 2017**
- (51) **LOC (11) Cl.** **12-16**
- (52) **U.S. Cl.**
USPC **D12/209**
- (58) **Field of Classification Search**
USPC D12/204–213; D21/533, 561, 563
CPC B60B 7/00; B60B 7/02; B60B 7/04; B60B 7/06; B60B 3/02; B60B 3/04; B60B 3/06; B60B 3/10; B60B 1/00; B60B 1/08; B60B 1/10; B60B 1/12
See application file for complete search history.

- D785,533 S * 5/2017 Pires D12/209
- D795,778 S * 8/2017 Valencia Pollex D12/211
- D799,395 S * 10/2017 Chung D12/209

* cited by examiner

Primary Examiner — Sheryl Lane

Assistant Examiner — Calvin E Vansant

(74) *Attorney, Agent, or Firm* — Lewis Roca Rothgerber Christie LLP; Thomas J. Daly

(57) **CLAIM**

The ornamental design for vehicle wheel front face, as shown and described.

DESCRIPTION

FIG. 1 is a perspective view of a vehicle wheel front face according to my new design;
 FIG. 2 is a front elevational view thereof;
 FIG. 3 is a side elevational view thereof;
 FIG. 4 is a perspective view of a second embodiment of a vehicle wheel front face according to new design;
 FIG. 5 is a front elevational view of the second embodiment;
 FIG. 6 is a side elevational view of the second embodiment;
 FIG. 7 is a perspective view of a third embodiment of a vehicle wheel front face according to my new design;
 FIG. 8 is a front elevational view of the third embodiment;
 FIG. 9 is a side elevational view of the third embodiment;
 FIG. 10 is a perspective view of a fourth embodiment of a vehicle wheel front face according to my new design;
 FIG. 11 is a front elevational view of the fourth embodiment;
 and,
 FIG. 12 is a side elevational view of the fourth embodiment.
 The broken lines depict portions of the vehicle wheel front face that form no part of the claim.

(56) **References Cited**

U.S. PATENT DOCUMENTS

- D513,728 S * 1/2006 Yazawa D12/211
- D726,628 S * 4/2015 Kong D12/211
- D729,137 S * 5/2015 Muntada Roura D12/209
- D751,016 S * 3/2016 Valencia Pollex D12/209
- D774,435 S * 12/2016 Vartola D12/209
- D777,077 S * 1/2017 Bjerke D12/211
- D781,761 S * 3/2017 Lee D12/209
- D781,769 S * 3/2017 Valencia Pollex D12/211

1 Claim, 12 Drawing Sheets

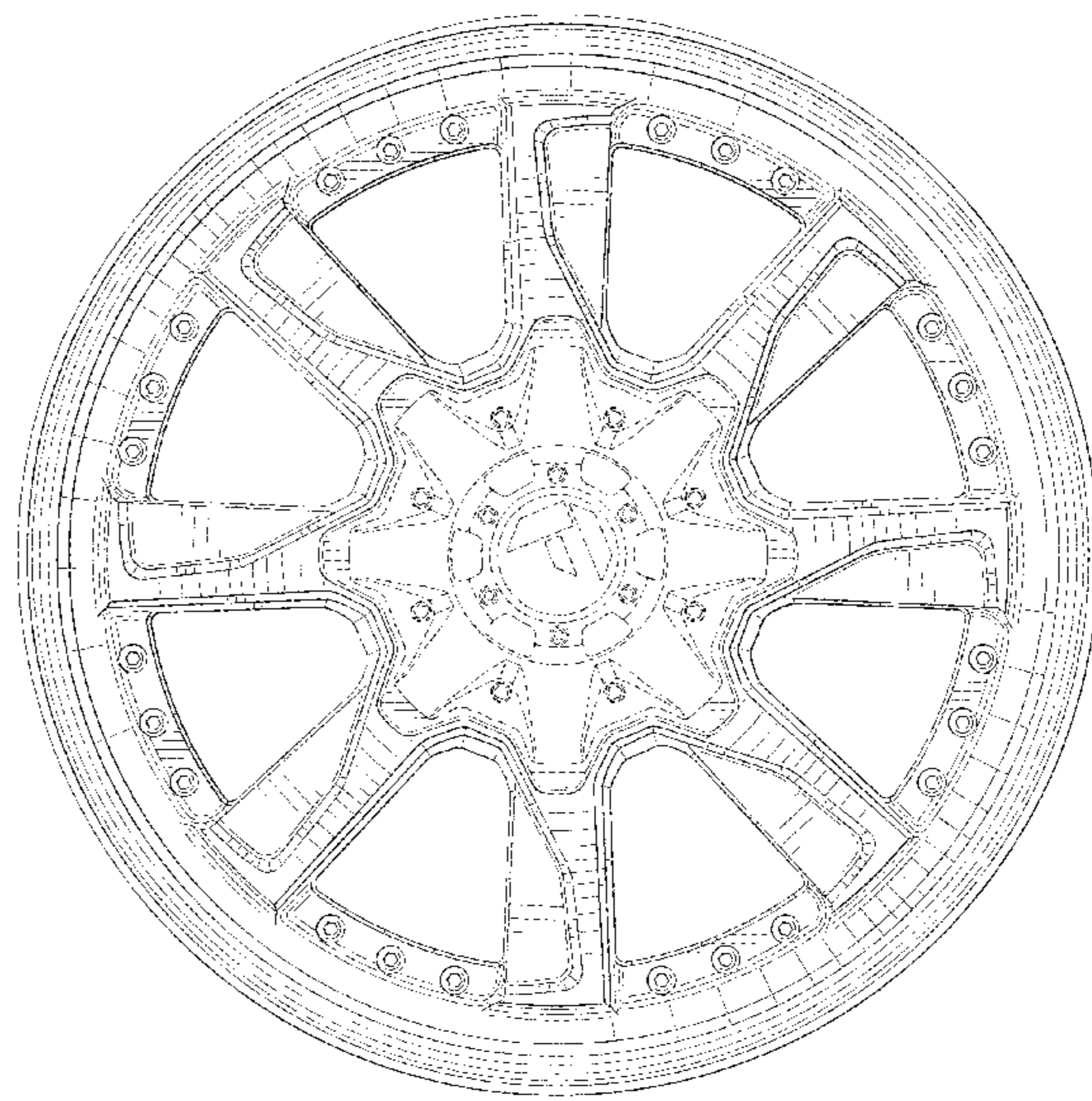
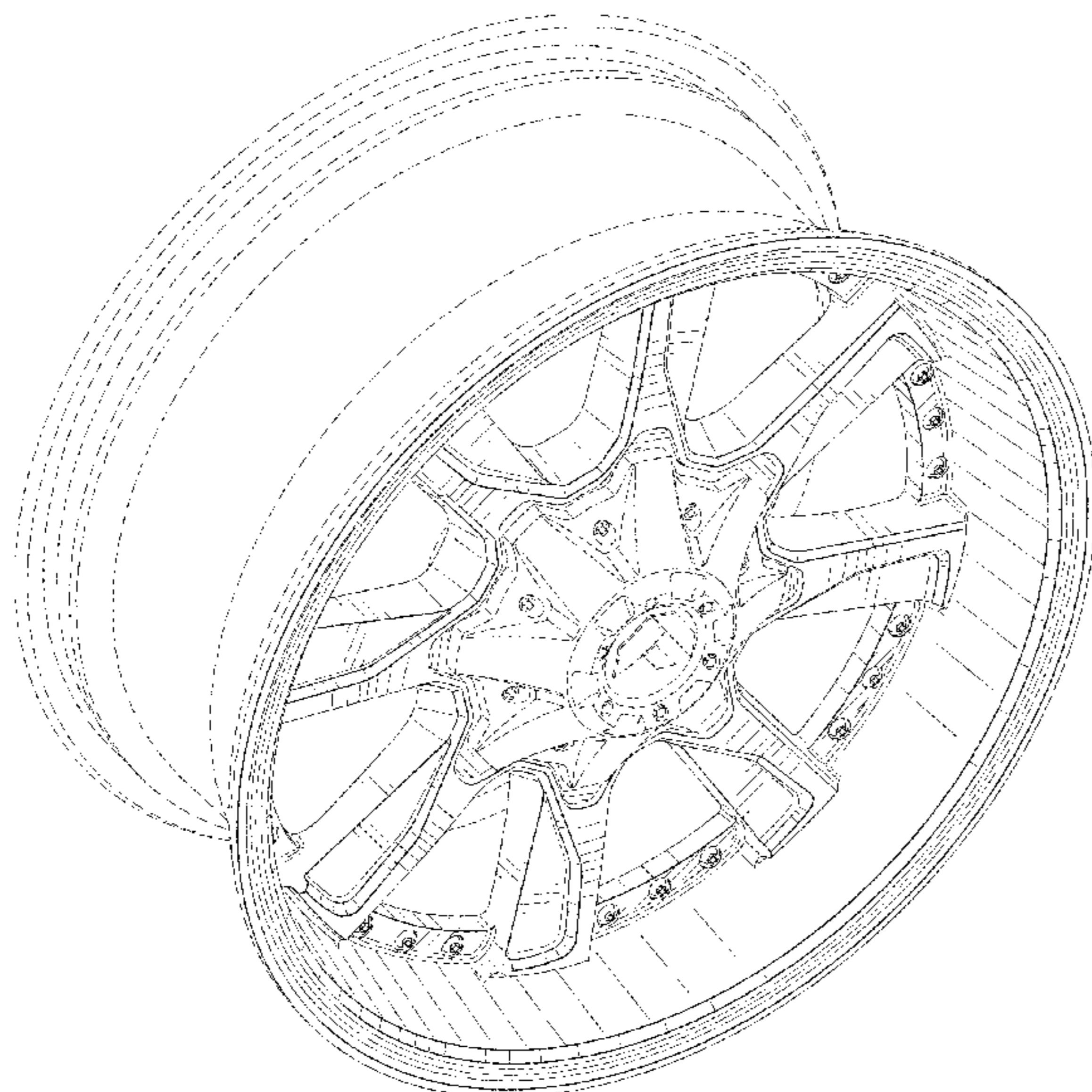


FIG. 1

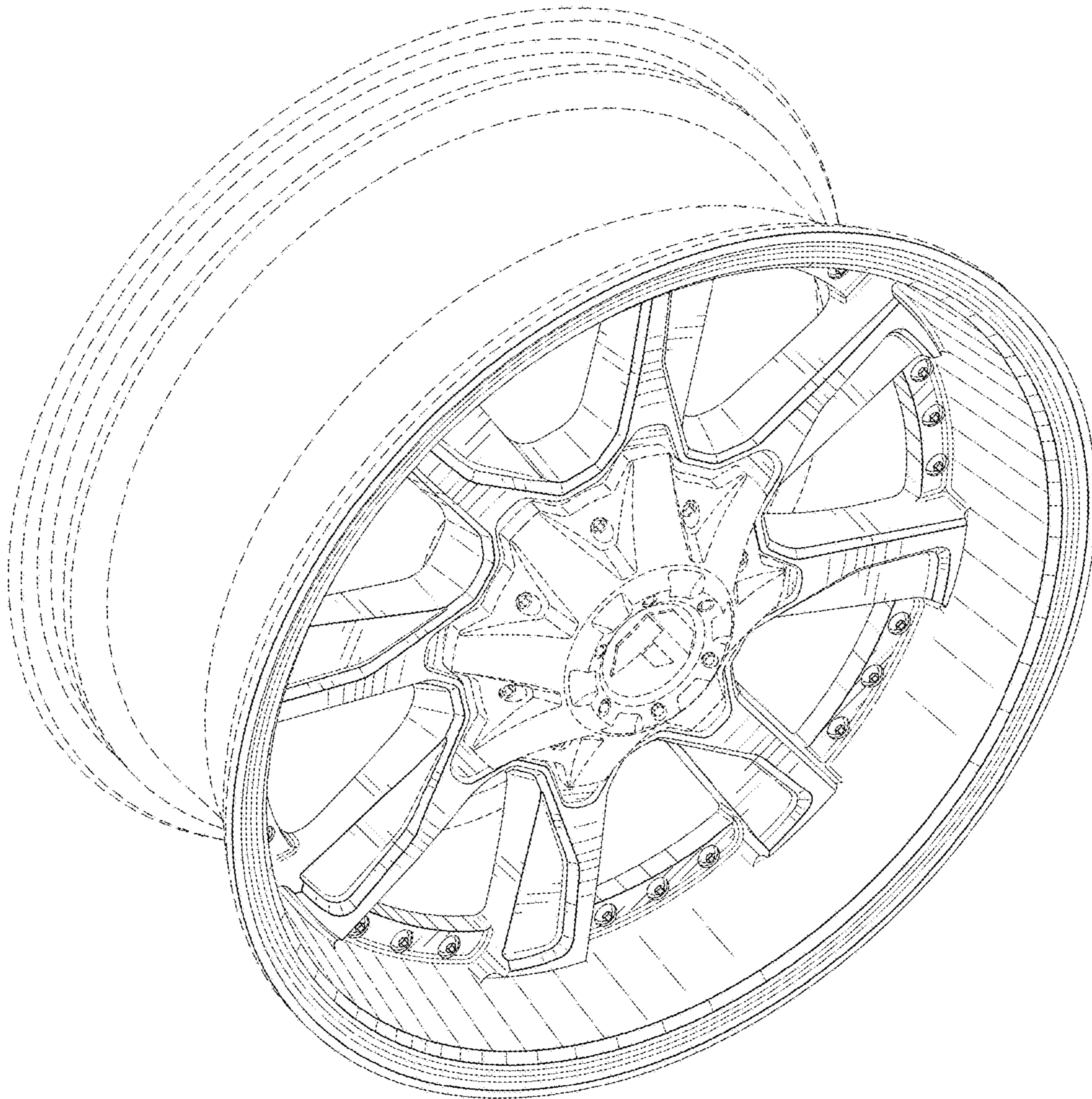


FIG. 2

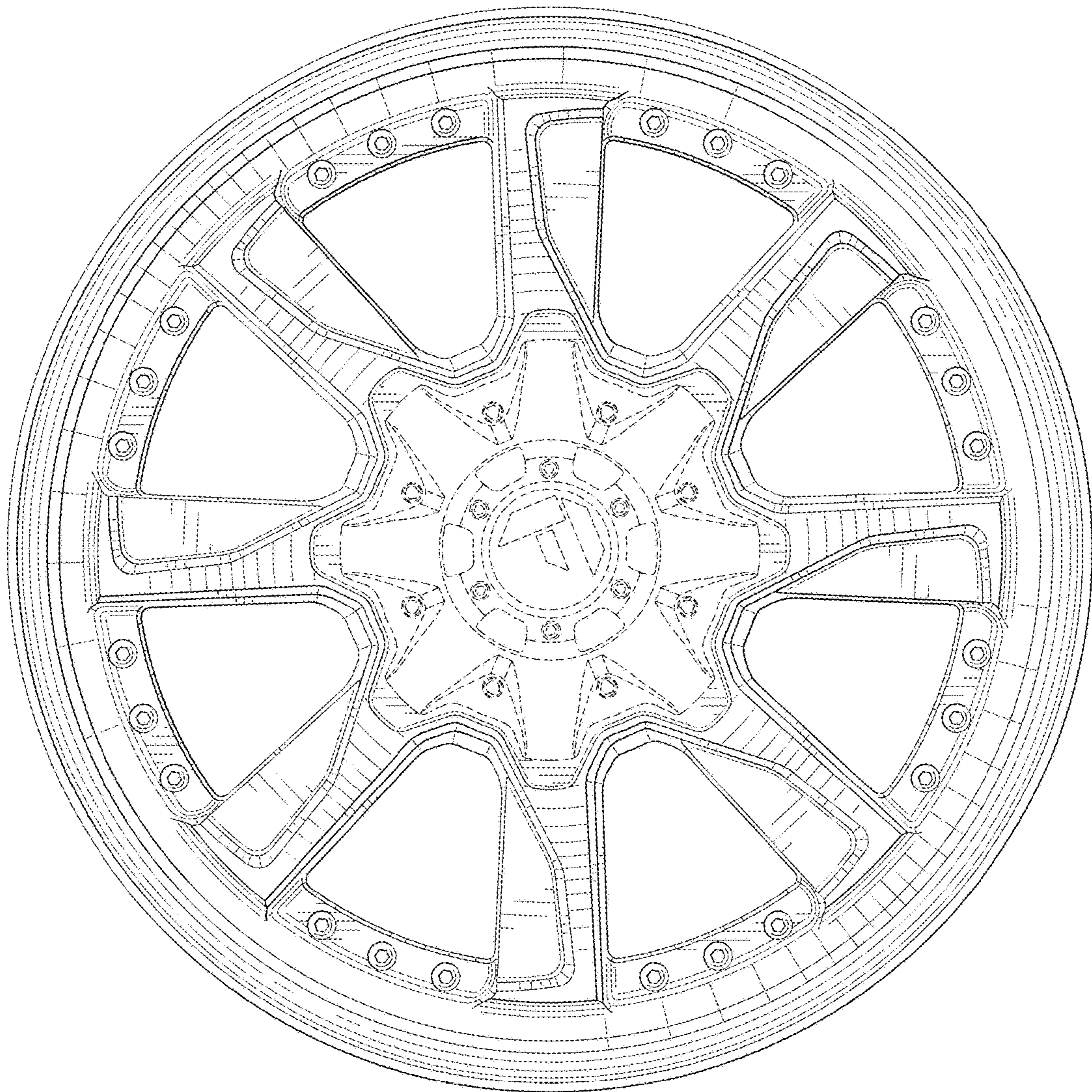


FIG. 3

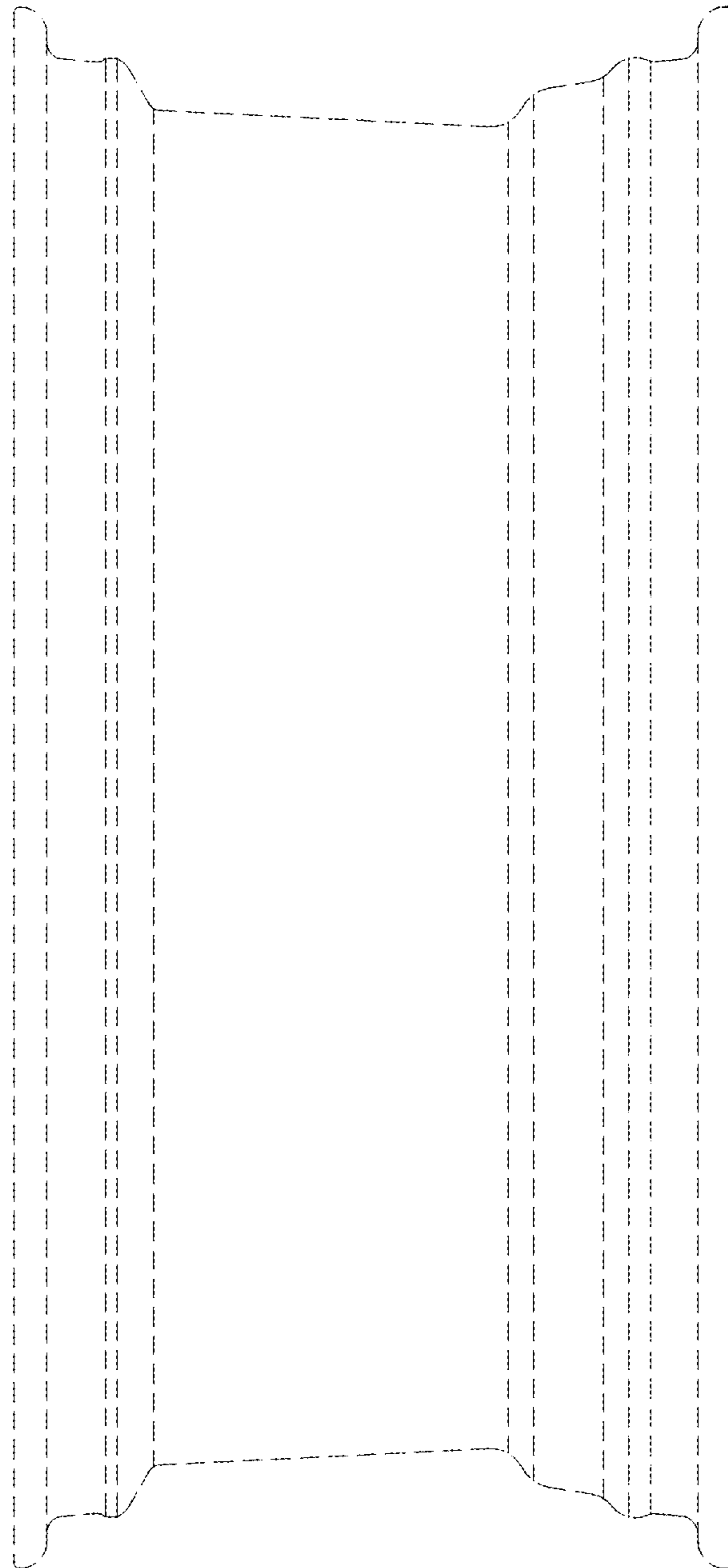


FIG. 4

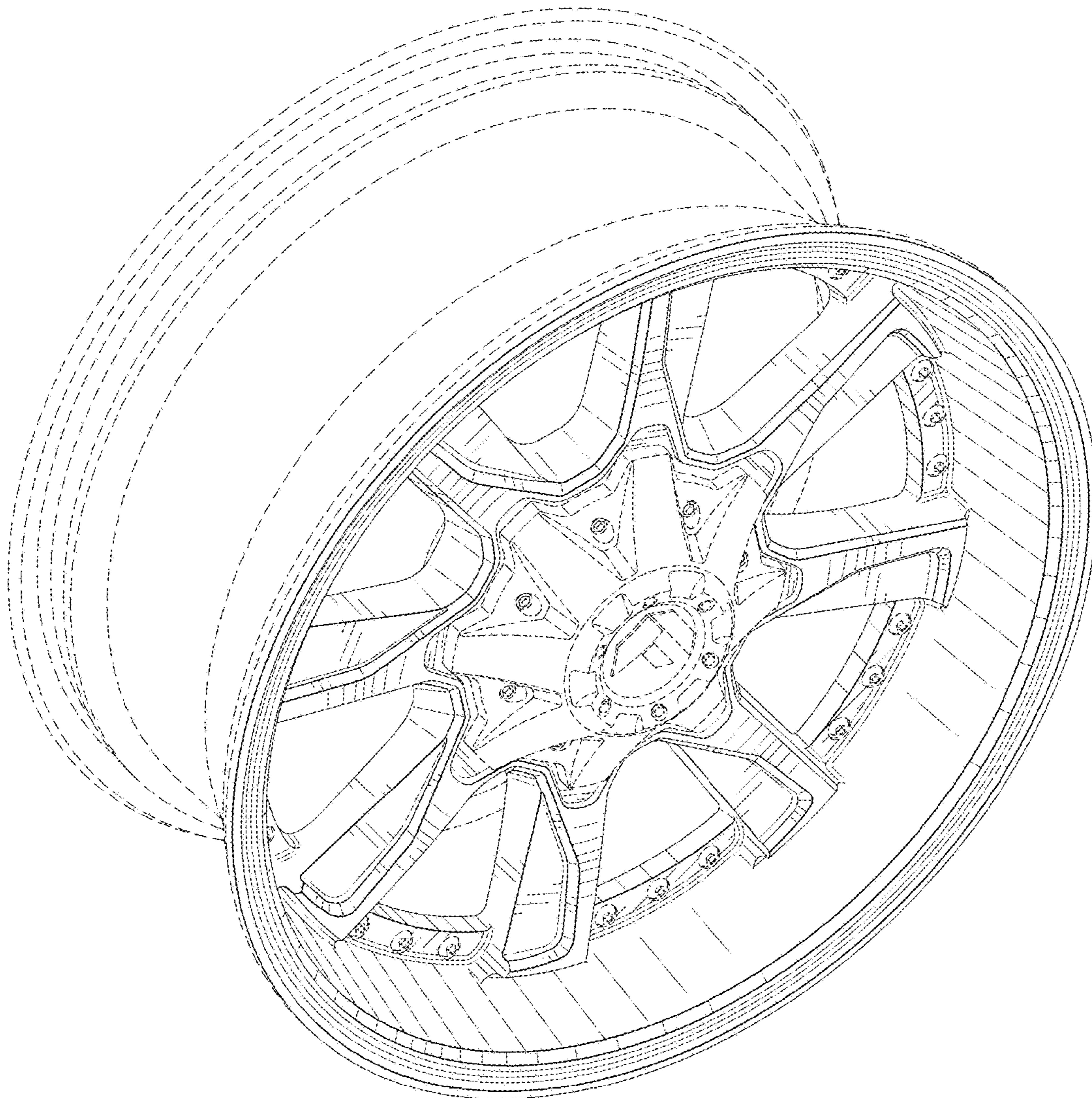


FIG. 5

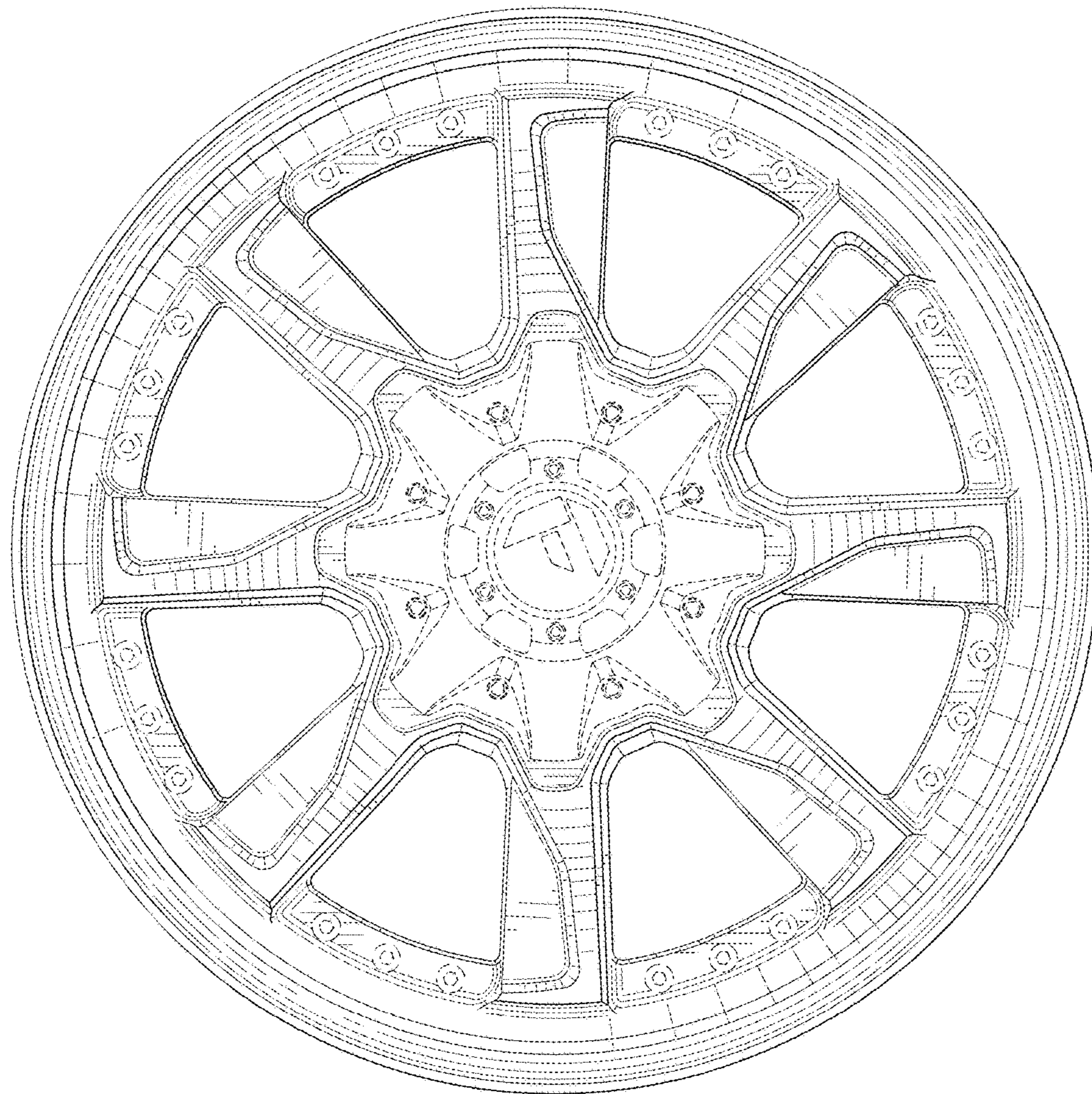


FIG. 6

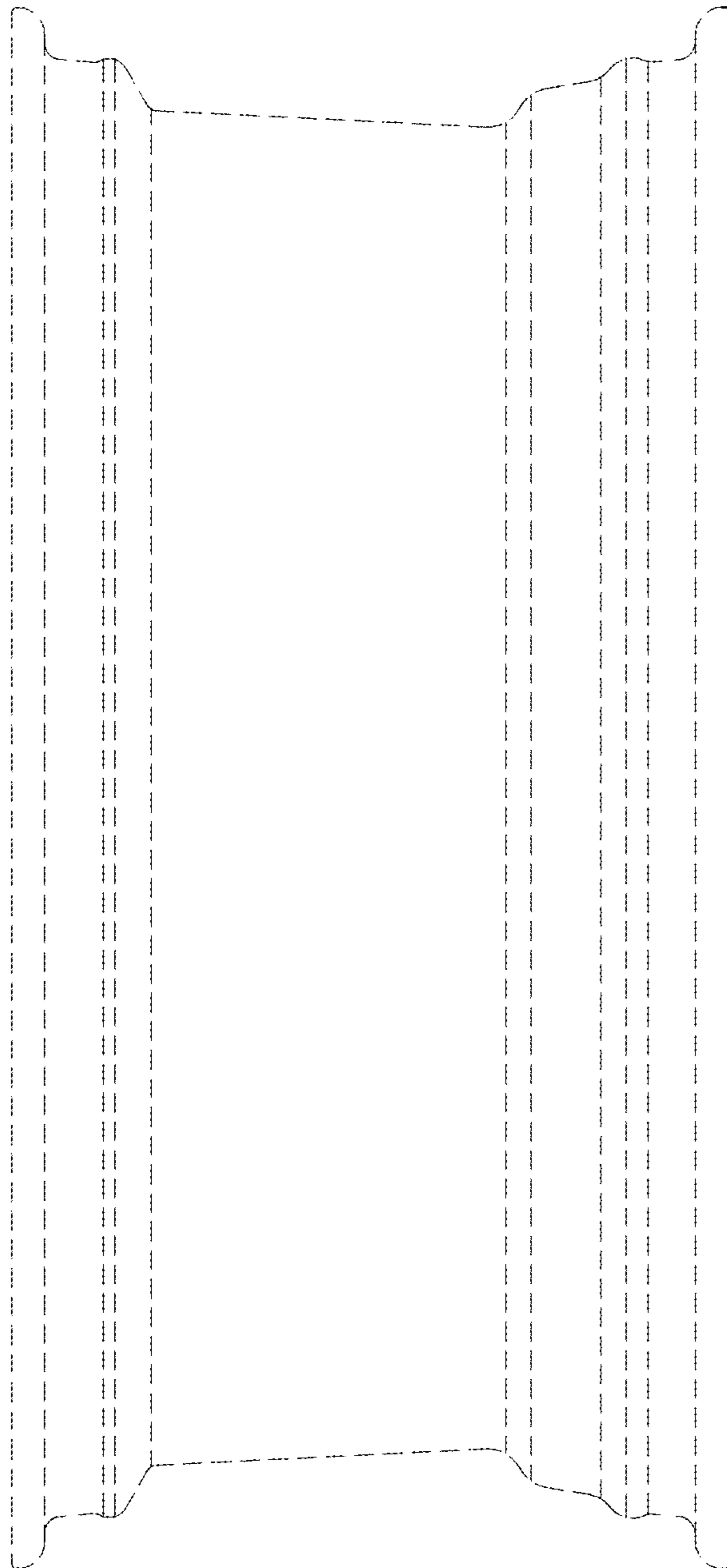


FIG. 7

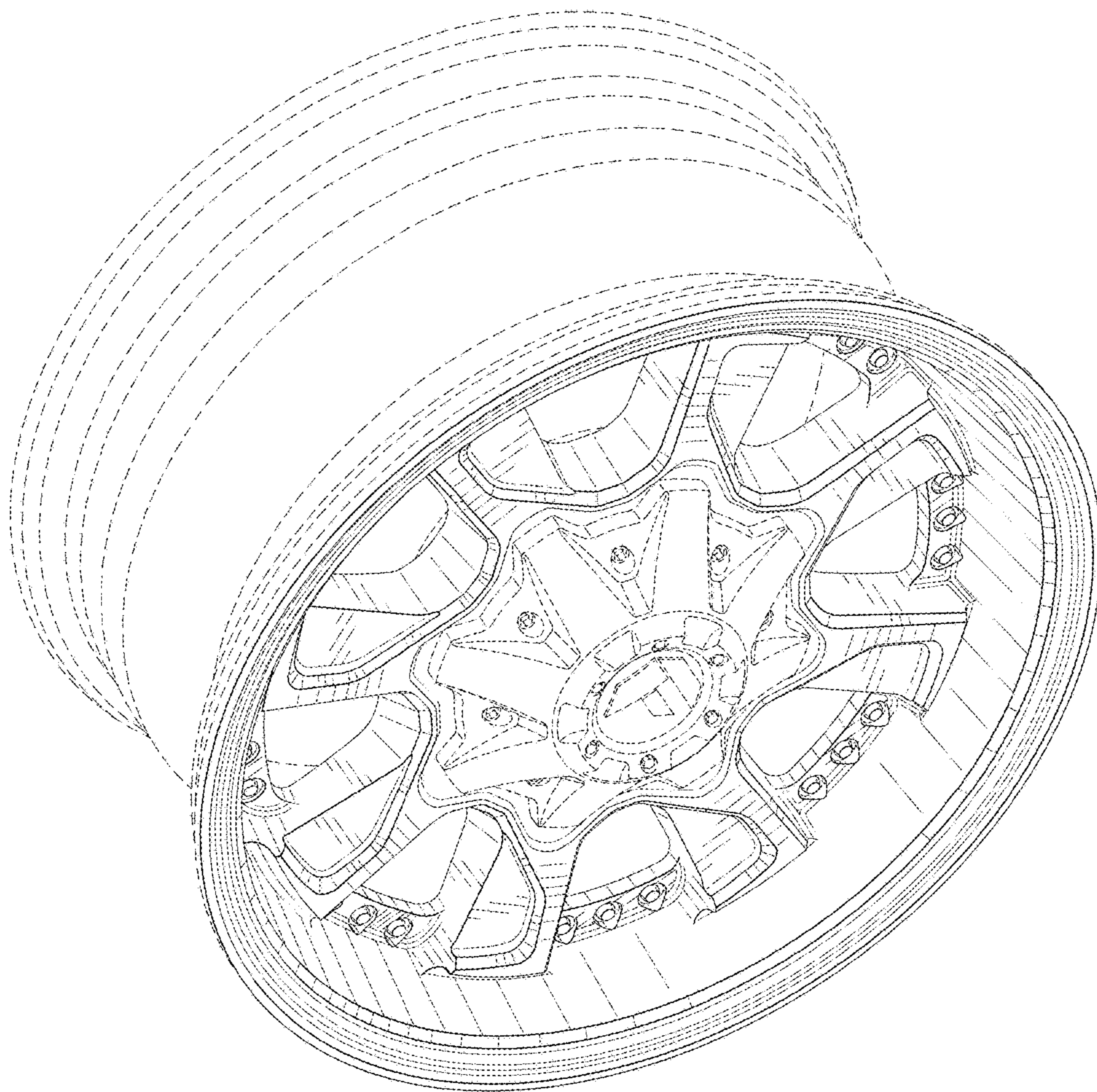


FIG. 8

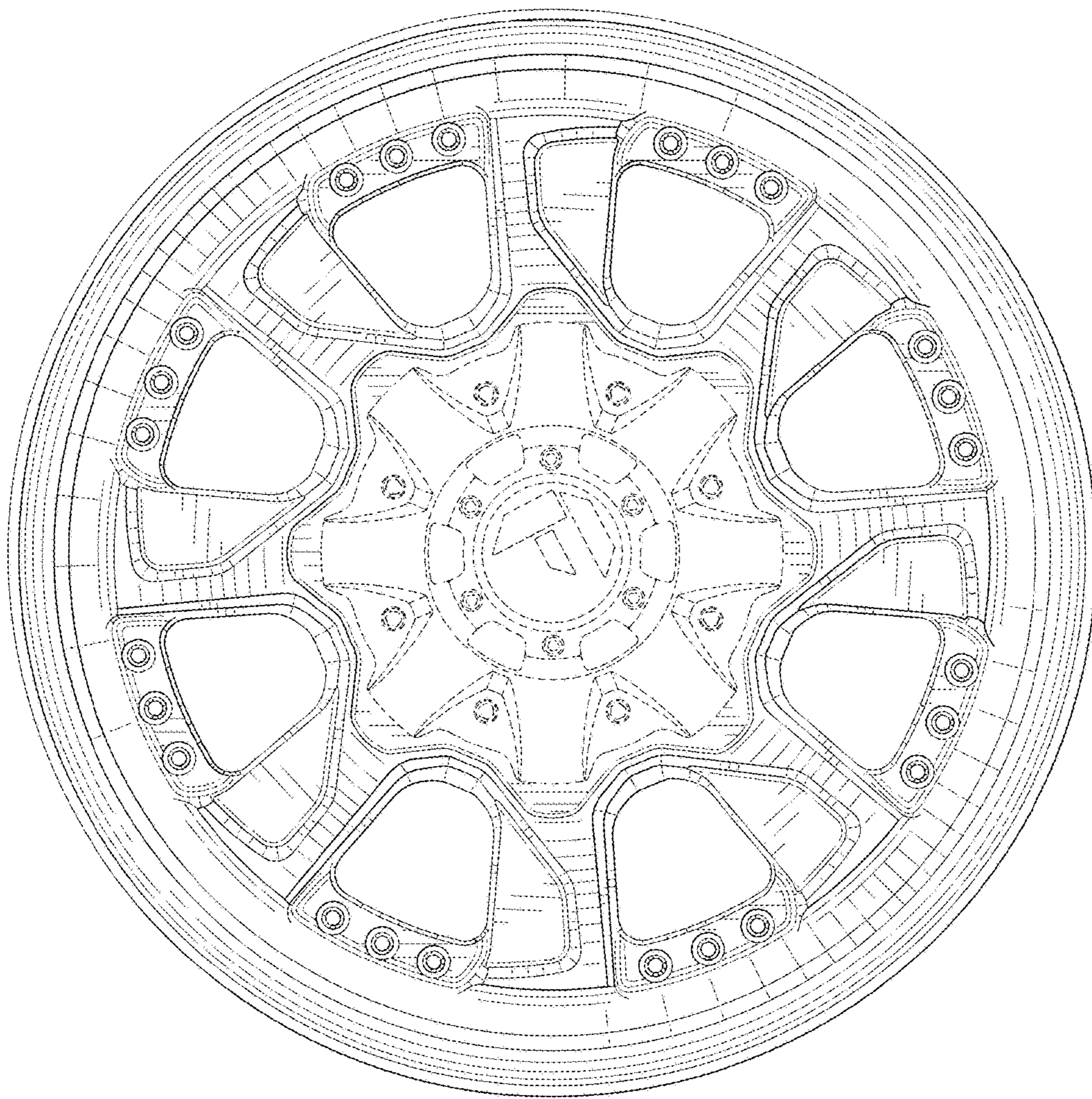


FIG. 9

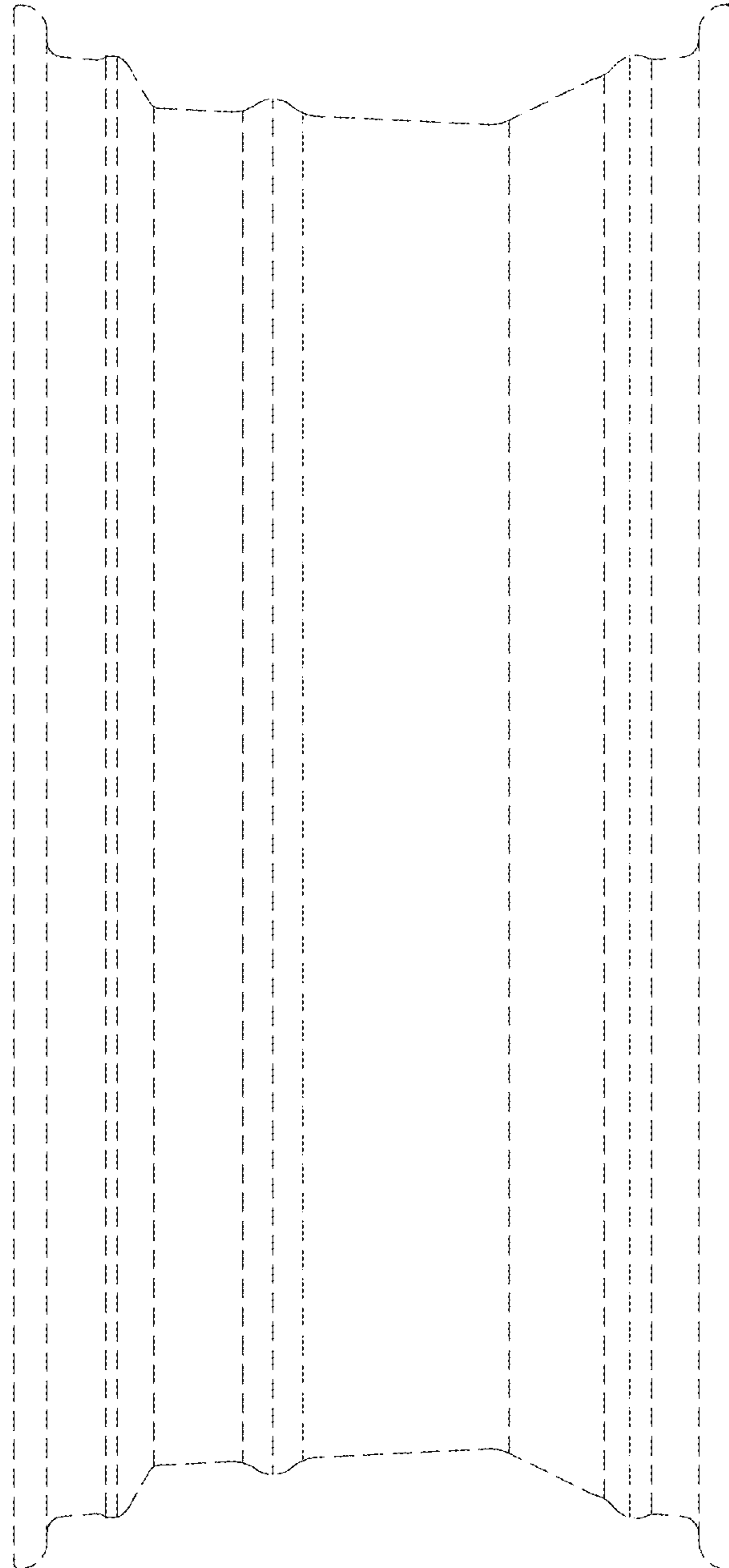


FIG. 10

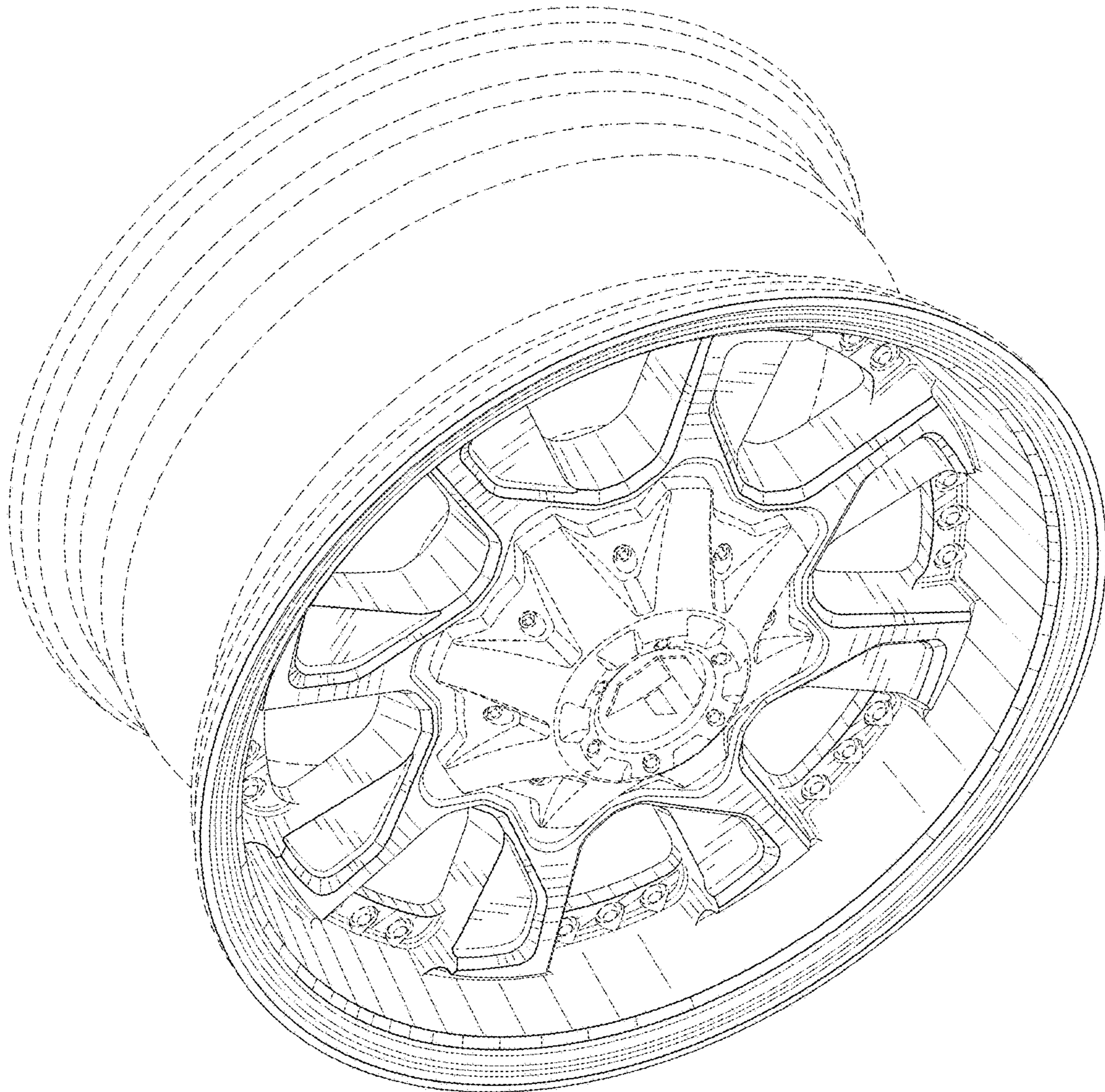


FIG. 11

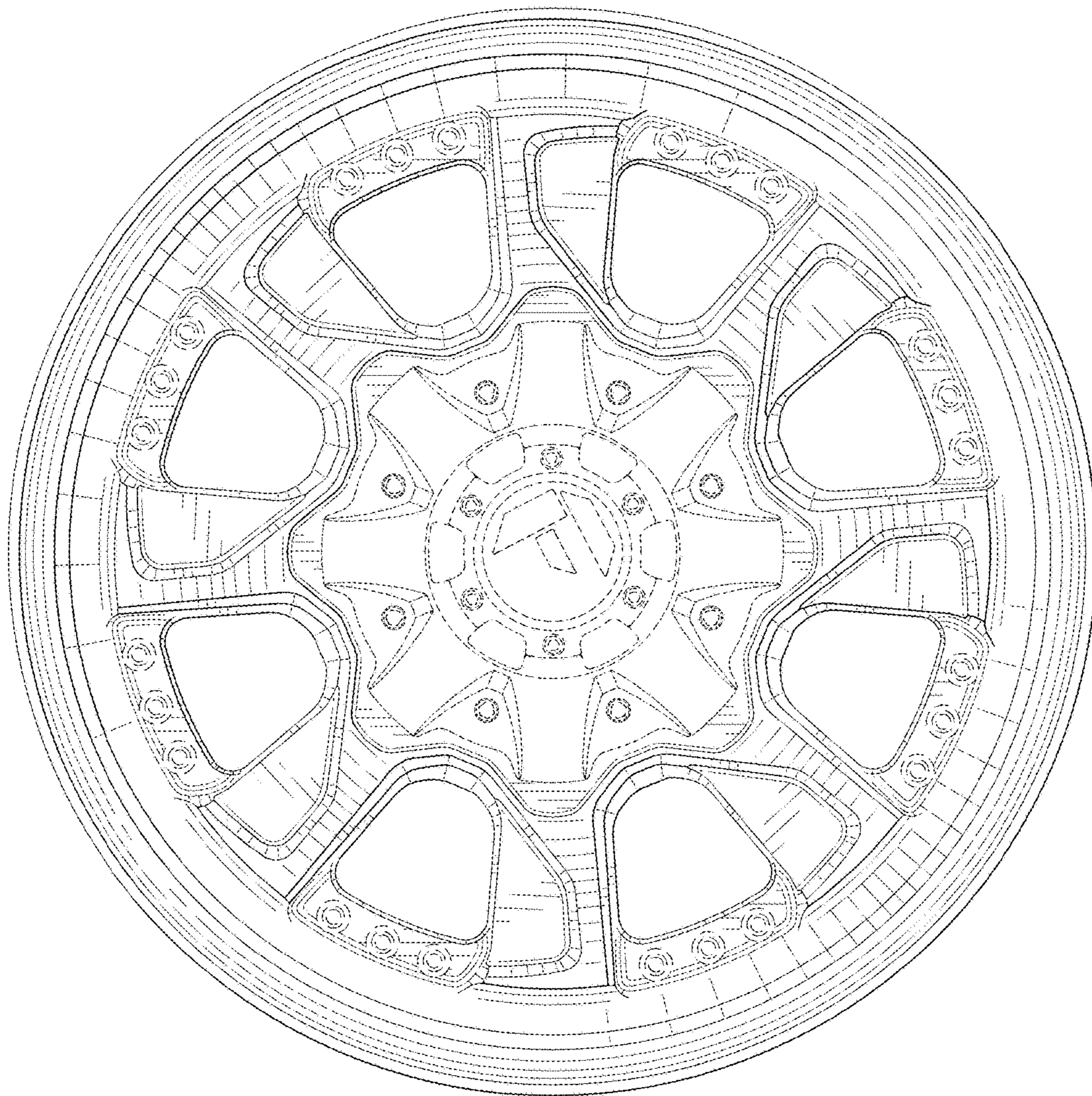


FIG. 12

