



US00D833356S

(12) **United States Design Patent** (10) **Patent No.:** **US D833,356 S**
Lim et al. (45) **Date of Patent:** **** Nov. 13, 2018**

(54) **REAR DOOR PANEL FOR AN AUTOMOBILE**

CPC B60J 5/00; B60J 5/02; B60J 5/04; B60J 5/10; B62D 25/02; B62D 25/04
See application file for complete search history.

(71) Applicants: **HYUNDAI MOTOR COMPANY**,
Seoul (KR); **KIA MOTORS CORPORATION**, Seoul (KR)

(56) **References Cited**

(72) Inventors: **Hwa Su Lim**, Incheon (KR); **Sang Hun Ahn**, Ansan-si (KR)

U.S. PATENT DOCUMENTS

(73) Assignees: **Kia Motors Corporation**, Seoul (KR);
Hyundai Motor Company, Seoul (KR)

D660,211 S *	5/2012	Ikuma	D12/196
D694,691 S *	12/2013	Matsueda	D12/196
D695,664 S *	12/2013	Suga	D12/196
D784,888 S *	4/2017	Lim	D12/196
D822,569 S *	7/2018	Choi	D12/196

(**) Term: **15 Years**

* cited by examiner

(21) Appl. No.: **35/504,020**

Primary Examiner — George D. Kirschbaum

(22) Filed: **May 23, 2017**

Assistant Examiner — Joseph J Kukella

(80) **Hague Agreement Data**

Int. Filing Date: **May 23, 2017**

Int. Reg. No.: **DM/096262**

Int. Reg. Date: **May 23, 2017**

Int. Reg. Pub. Date: **Nov. 24, 2017**

(74) *Attorney, Agent, or Firm* — Mintz Levin Cohn Ferris Glovsky and Popeo, P.C.; Kongsik Kim

(57) **CLAIM**

The ornamental design for a rear door panel for an automobile, as shown and described.

(30) **Foreign Application Priority Data**

Dec. 2, 2016 (KR) 30-2016-0058321

(51) **LOC (11) Cl.** **12-16**

(52) **U.S. Cl.**
USPC **D12/196**

(58) **Field of Classification Search**
USPC D12/90, 91, 92, 196

DESCRIPTION

1. Rear door panel for an automobile

1.1 : Perspective

1.2 : Front

1.3 : Back

1.4 : Left

1.5 : Right

1.6 : Top

1.7 : Bottom

1 Claim, 7 Drawing Sheets



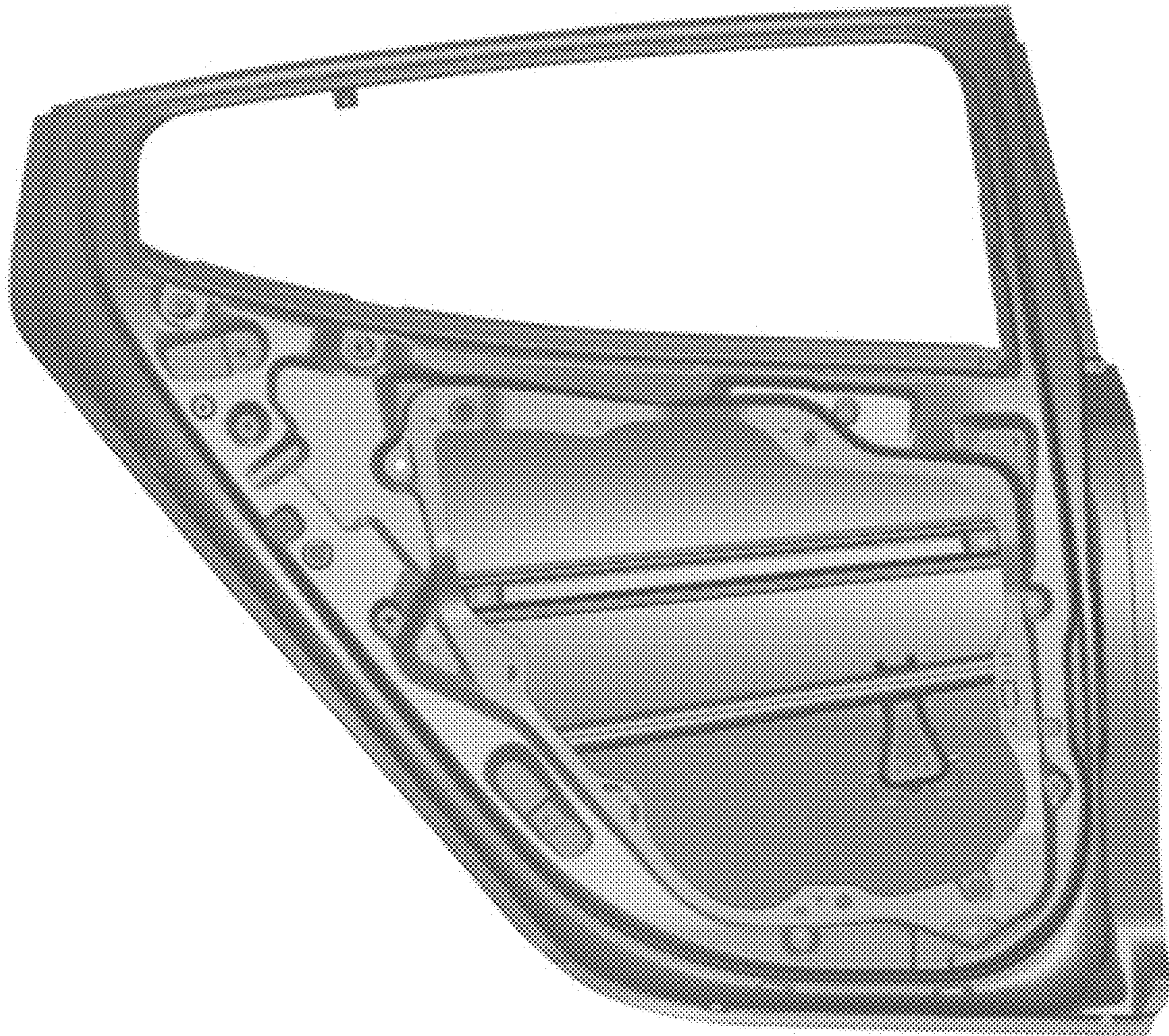
1.1



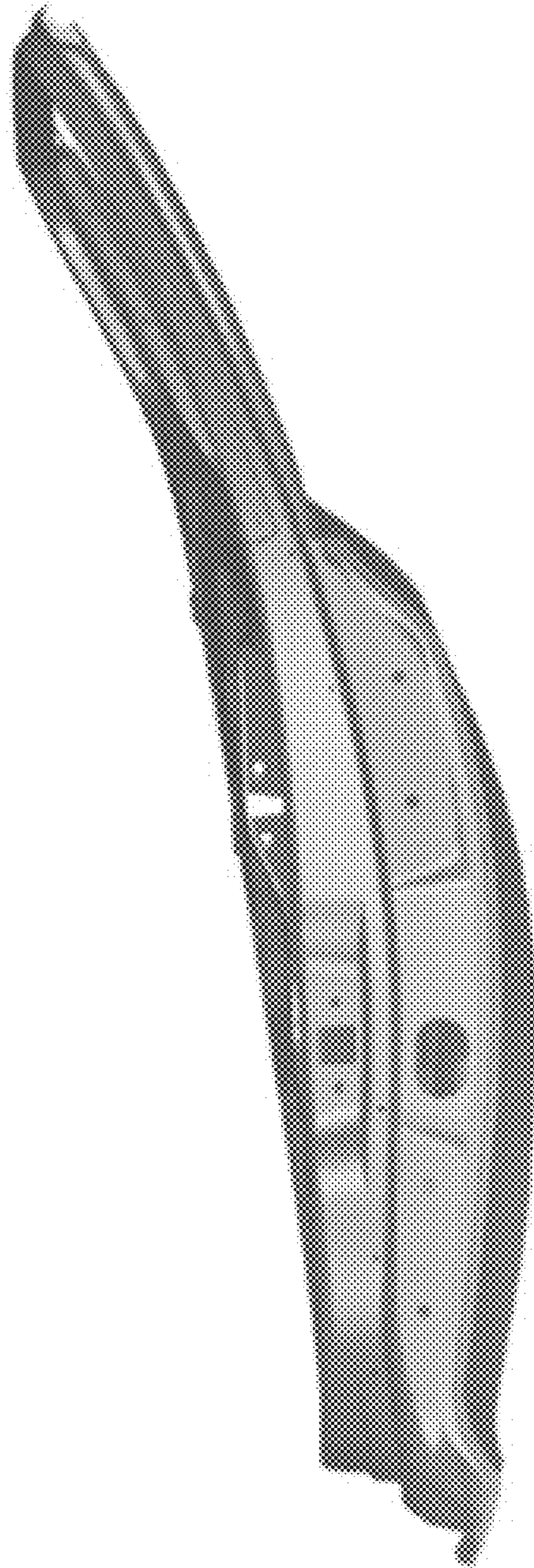
1.2



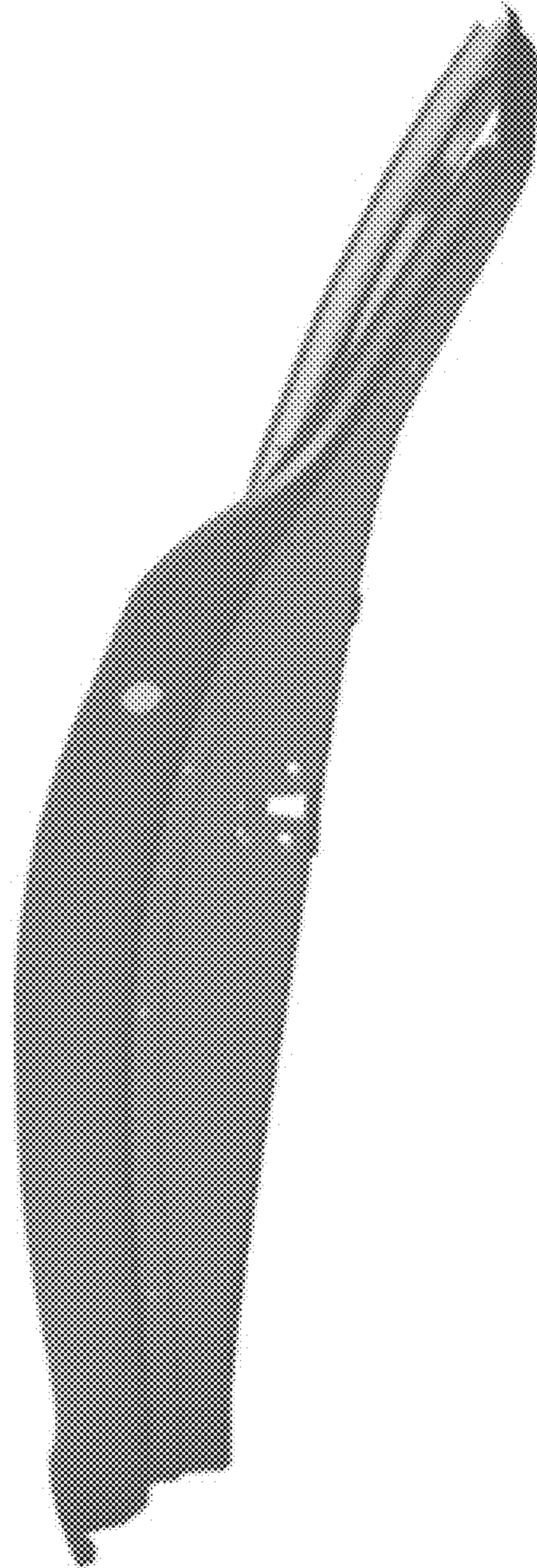
1.3



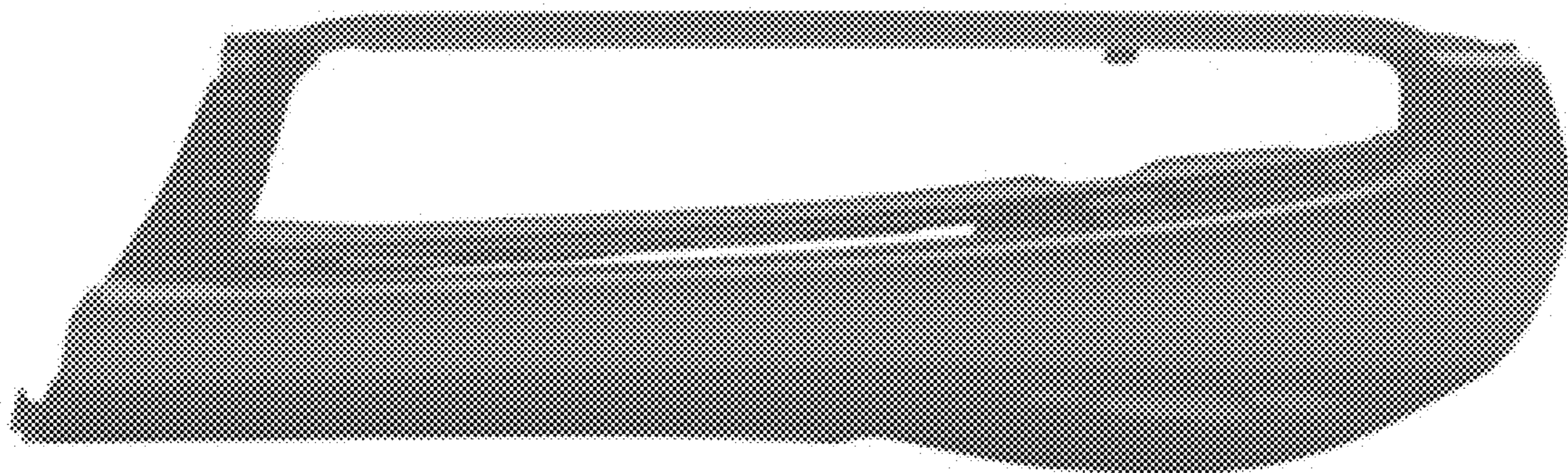
1.4



1.5



1.6



1.7

