



US00D833354S

(12) **United States Design Patent** (10) **Patent No.:** **US D833,354 S**  
**Hodges** (45) **Date of Patent:** **\*\* Nov. 13, 2018**

(54) **ACCESS PANEL**  
(71) Applicant: **Frank J. Hodges**, Corona, CA (US)  
(72) Inventor: **Frank J. Hodges**, Corona, CA (US)  
(\*\*) Term: **15 Years**  
(21) Appl. No.: **29/566,011**  
(22) Filed: **May 26, 2016**  
(51) **LOC (11) Cl.** ..... **12-08**  
(52) **U.S. Cl.**  
USPC ..... **D12/195**  
(58) **Field of Classification Search**  
USPC ..... D12/195, 193, 190, 196; D15/17, 28;  
D10/46, 98, 102-103; D8/302-303  
CPC ..... B60J 5/04  
See application file for complete search history.

(56) **References Cited**  
U.S. PATENT DOCUMENTS  
D794,523 S \* 8/2017 Pepin ..... D12/195  
D811,970 S \* 3/2018 Lokers ..... D12/195  
D811,971 S \* 3/2018 Lokers ..... D12/195

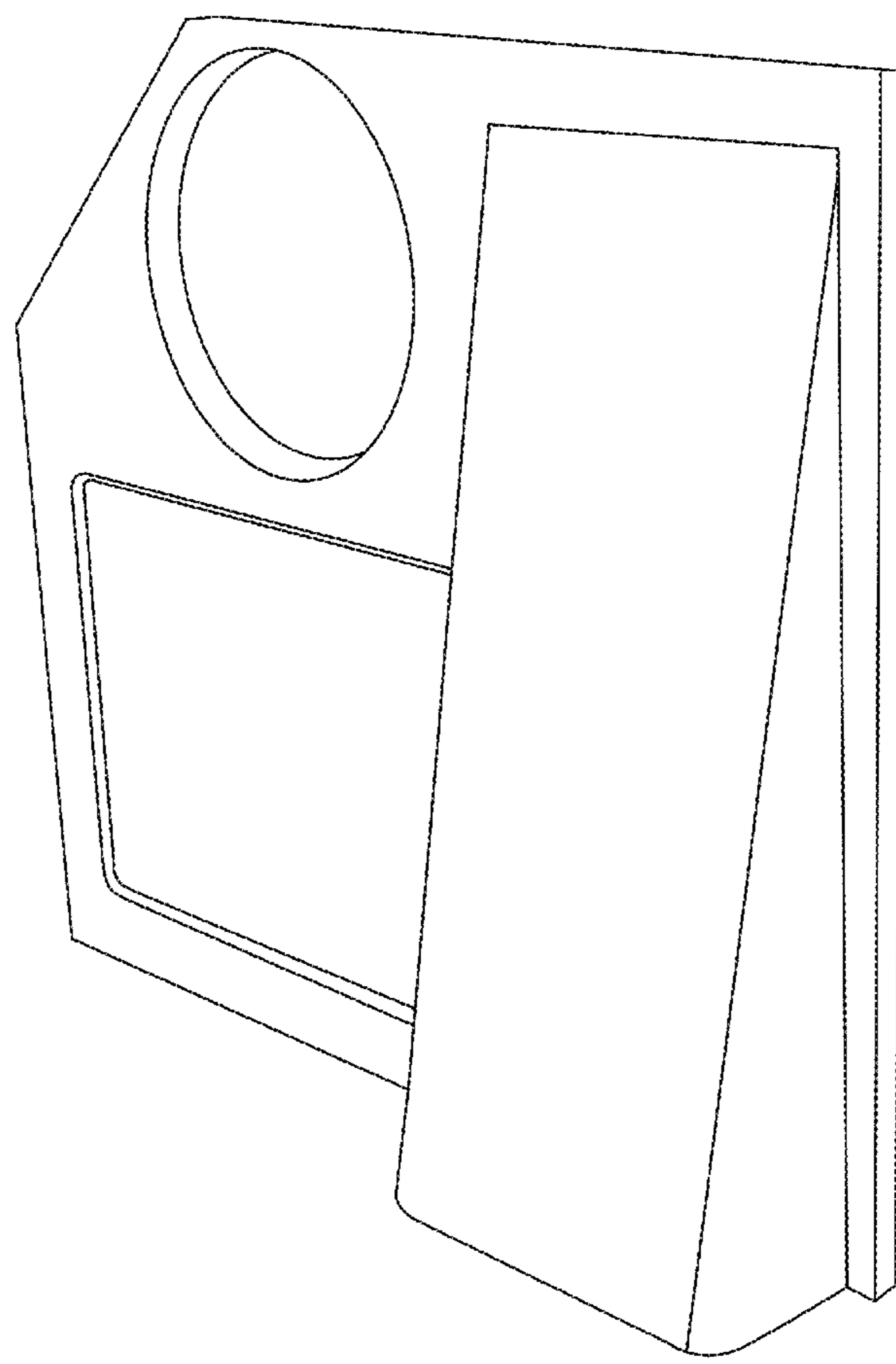
D818,920 S \* 5/2018 Hodges ..... D12/195  
D826,124 S \* 8/2018 Unveren ..... D12/195  
2018/0065519 A1\* 3/2018 Inami ..... B60N 2/78  
2018/0154743 A1\* 6/2018 Rao ..... B60R 13/0243  
2018/0222293 A1\* 8/2018 Thomas ..... B60J 5/0413

\* cited by examiner  
*Primary Examiner* — Katrina A Betton  
(74) *Attorney, Agent, or Firm* — Eric B. Alspaugh

(57) **CLAIM**  
The ornamental design for an access panel, as shown and described.

**DESCRIPTION**  
FIG. 1 is a front view of an access panel showing my new design;  
FIG. 2 is a left side view thereof;  
FIG. 3 is a right side view thereof;  
FIG. 4 is a top side view thereof;  
FIG. 5 is a bottom side view thereof;  
FIG. 6 is a back view thereof; and,  
FIG. 7 is an oblique perspective view thereof.

**1 Claim, 7 Drawing Sheets**



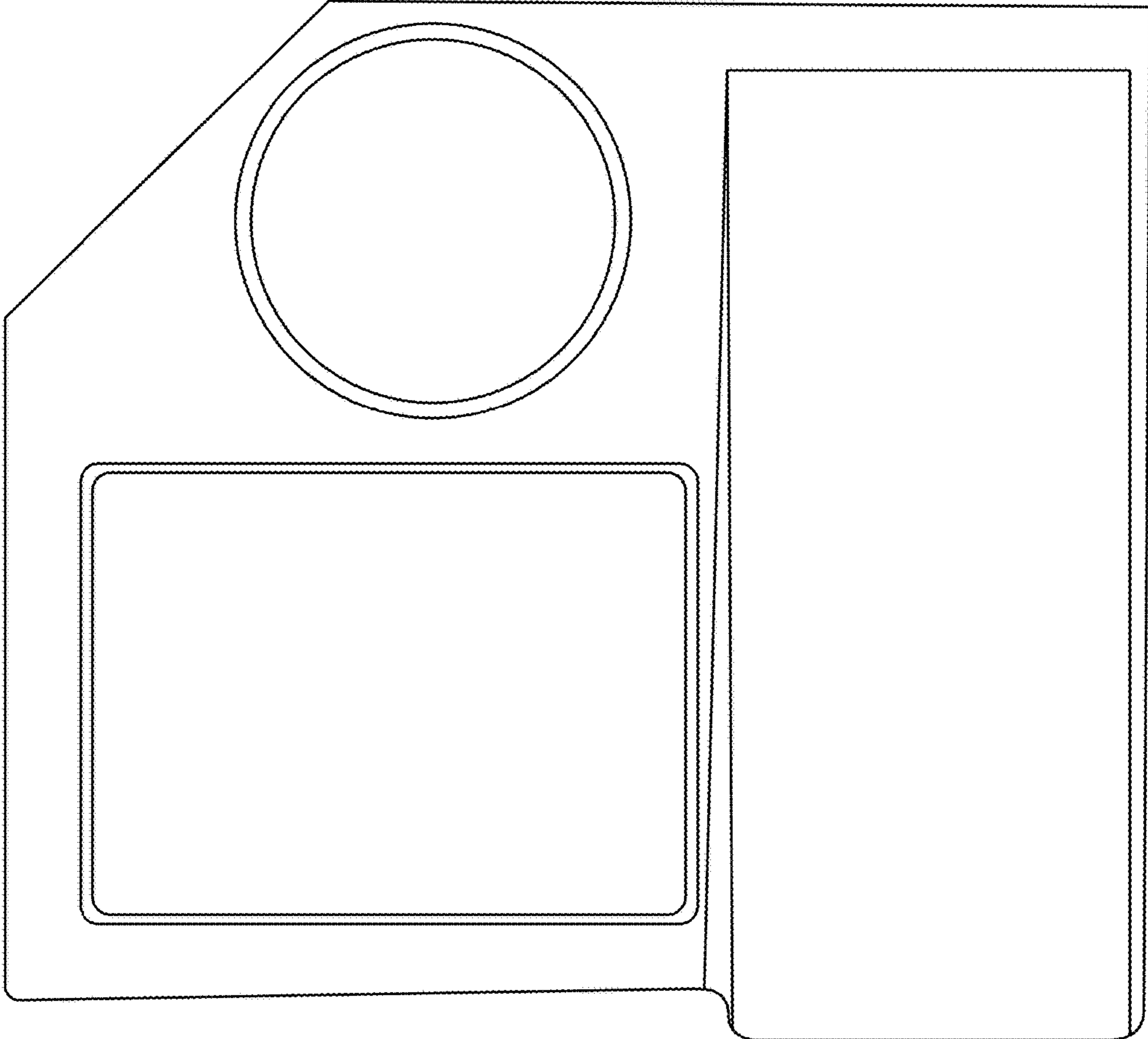


Fig. 1

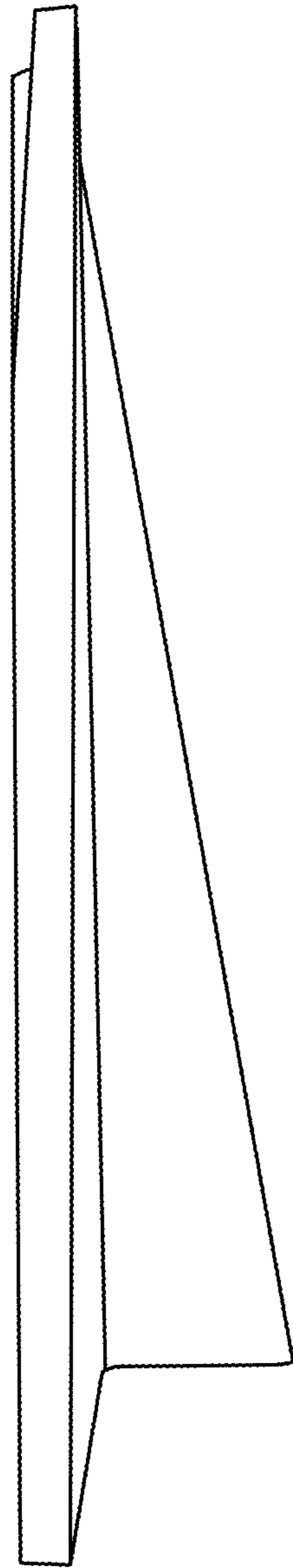


Fig. 2

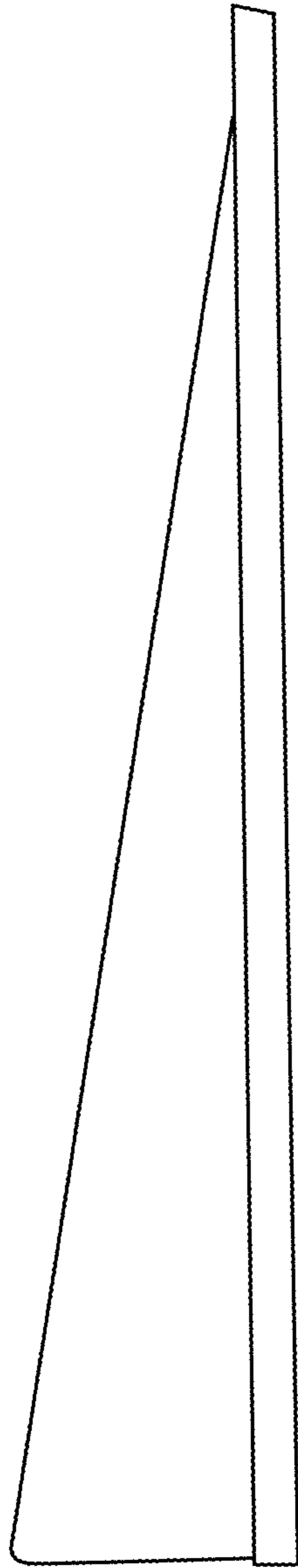


Fig. 3

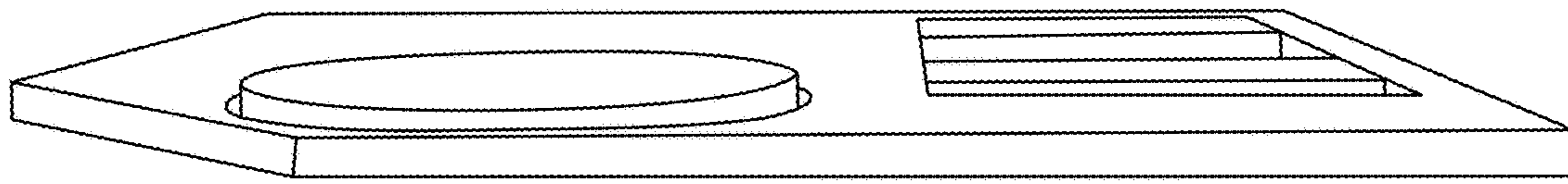


Fig. 4

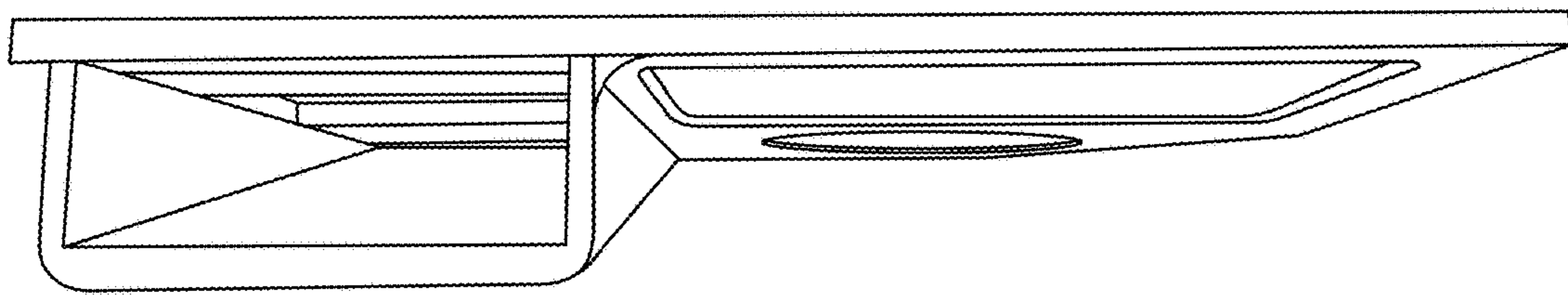


Fig. 5

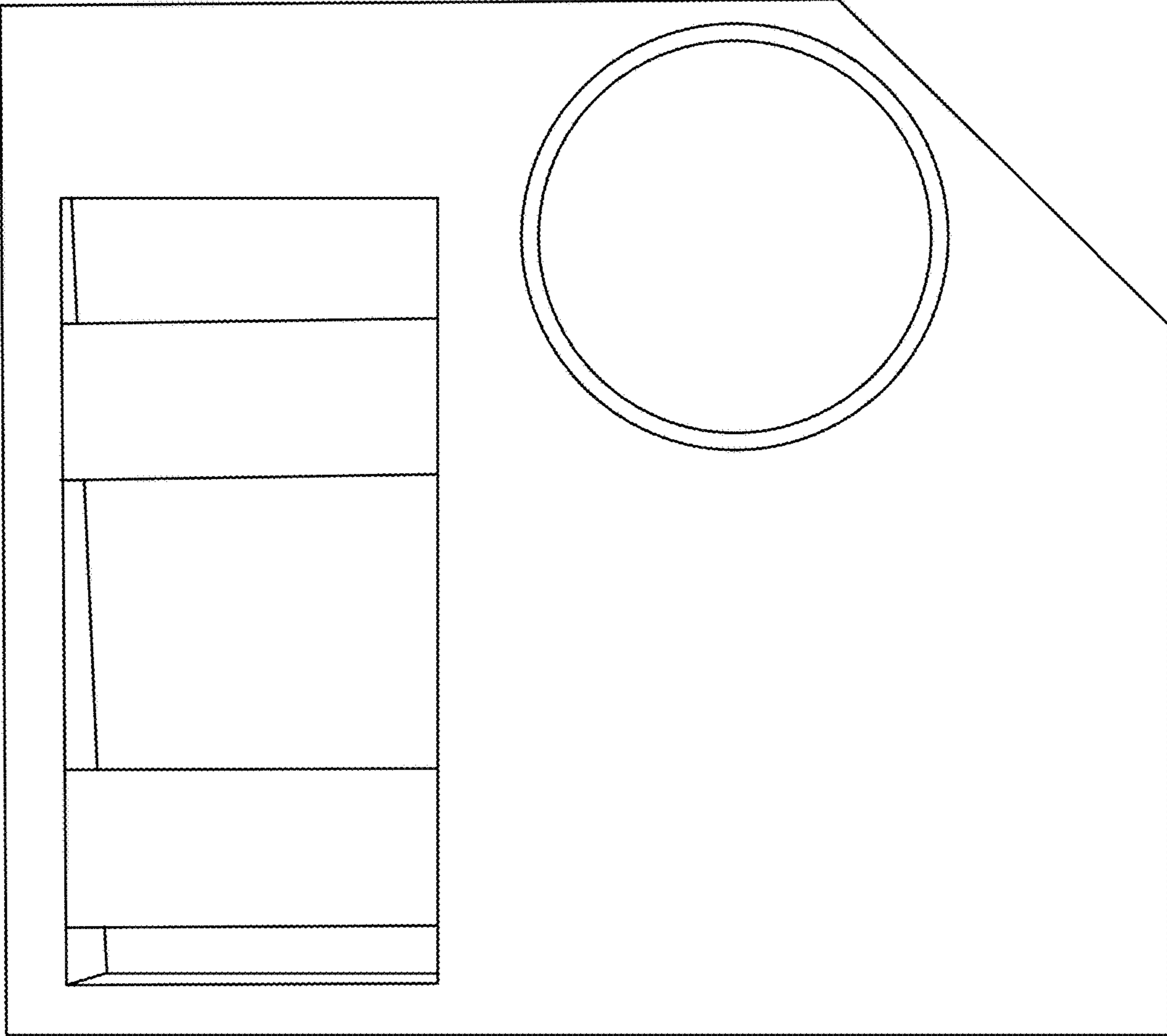


Fig. 6

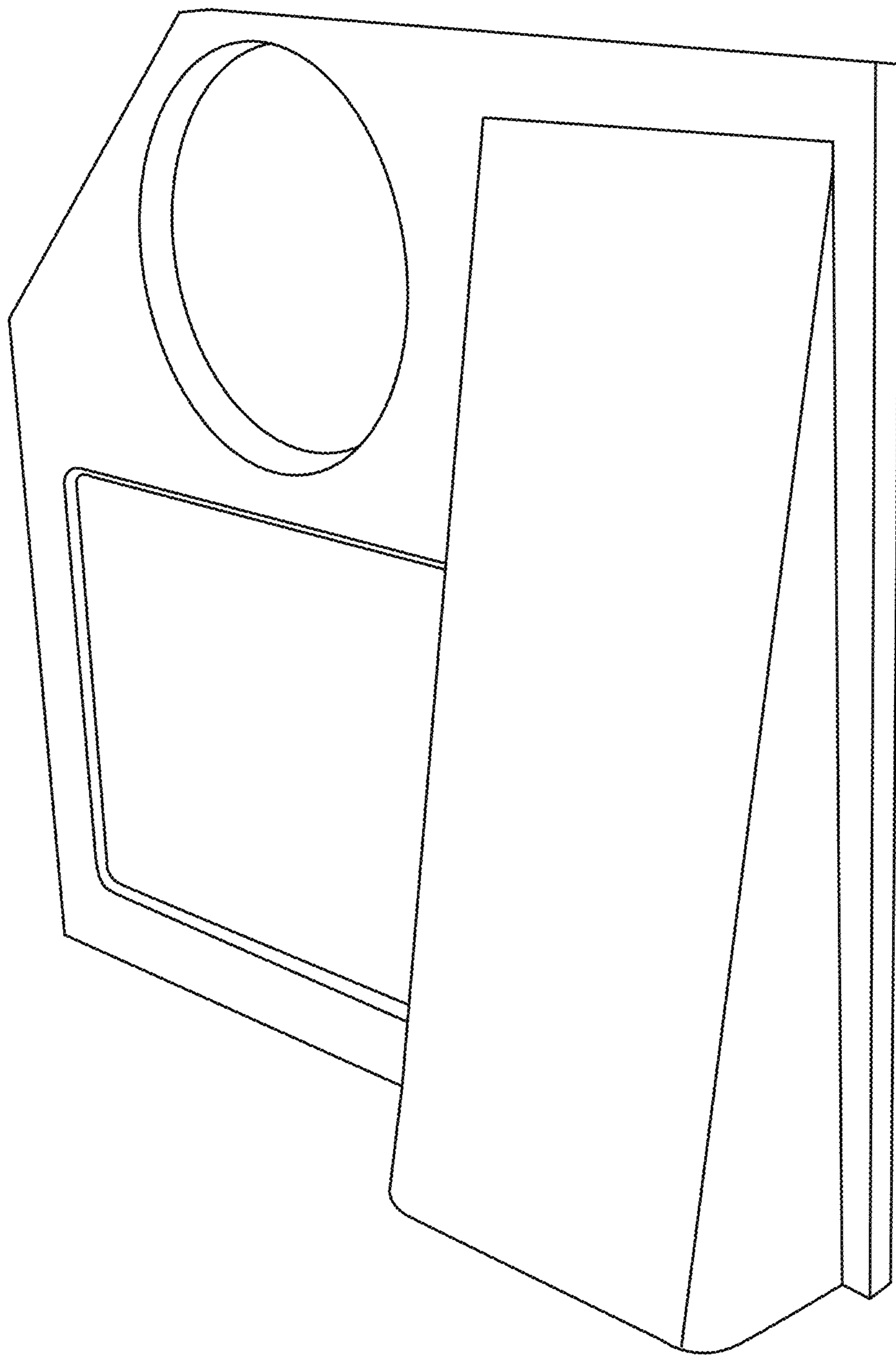


Fig. 7