



US00D833353S

(12) **United States Design Patent** (10) **Patent No.:** **US D833,353 S**
Akrapovic et al. (45) **Date of Patent:** **** Nov. 13, 2018**

(54) **PART OF EXHAUST PIPE**
(71) Applicant: **Igor Akrapovic**, Ljubljana (SI)
(72) Inventors: **Igor Akrapovic**, Ljubljana (SI); **Goran Dukic**, Radgona (SI); **Alojz Trstenjak**, Ljubljana (SI)
(**) Term: **15 Years**
(21) Appl. No.: **35/503,522**
(22) Filed: **Aug. 2, 2017**
(80) **Hague Agreement Data**
Int. Filing Date: **Aug. 2, 2017**
Int. Reg. No.: **DM/097228**
Int. Reg. Date: **Aug. 2, 2017**
Int. Reg. Pub. Date: **Aug. 18, 2017**

(30) **Foreign Application Priority Data**
Feb. 10, 2017 (EM) 003746403
(51) **LOC (11) Cl.** **12-16**
(52) **U.S. Cl.**
USPC **D12/194**
(58) **Field of Classification Search**
USPC D12/194; D23/205, 209, 323, 330
CPC ... F01N 1/00; F01N 1/003; F01N 1/02; F01N 1/04; F01N 1/10
See application file for complete search history.

(56) **References Cited**
U.S. PATENT DOCUMENTS
D199,918 S * 12/1964 Vander Pyl D23/209
D206,080 S * 10/1966 Hopkins F01N 1/10
D23/209

3,688,868 A * 9/1972 Gibel F01N 1/10
181/230
D316,740 S * 5/1991 Kopf D23/209
D386,561 S * 11/1997 Campbell D23/330
D411,510 S * 6/1999 Wells, Sr. D13/119
D701,286 S * 3/2014 Sandvold D23/202
D705,390 S * 5/2014 Okazaki D23/207
D728,087 S * 4/2015 Zan D23/323
D758,528 S * 6/2016 Ruprecht D23/209
D780,652 S * 3/2017 Cranstone D12/194
D807,987 S * 1/2018 Ruprecht D23/209

* cited by examiner

Primary Examiner — George D. Kirschbaum
Assistant Examiner — Joseph J Kukella
(74) *Attorney, Agent, or Firm* — Olson & Cepuritis, Ltd.;
William P. Oberhardt; Anita M. Cepuritis

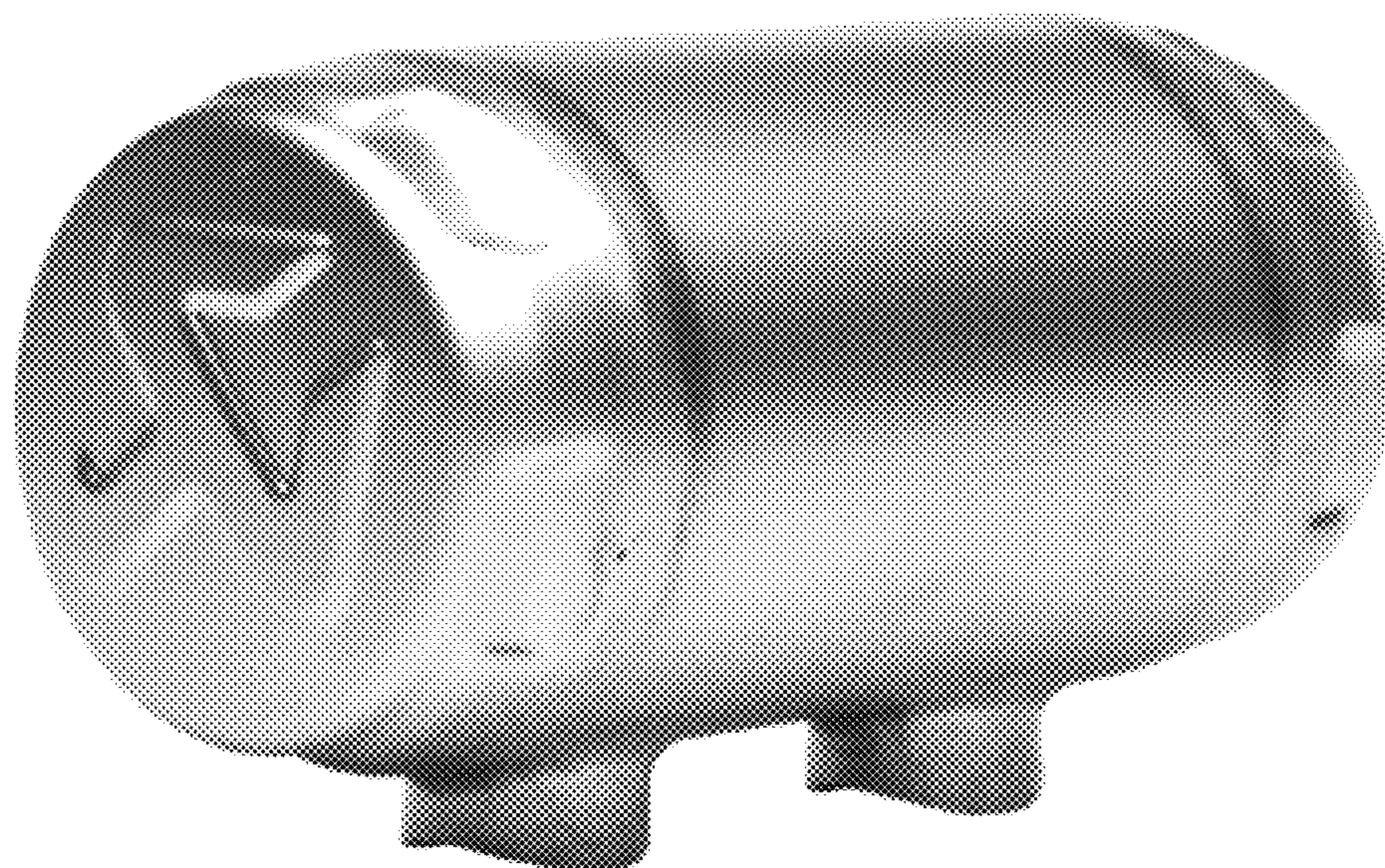
(57) **CLAIM**

The ornamental design for a part of exhaust pipe, as shown and described.

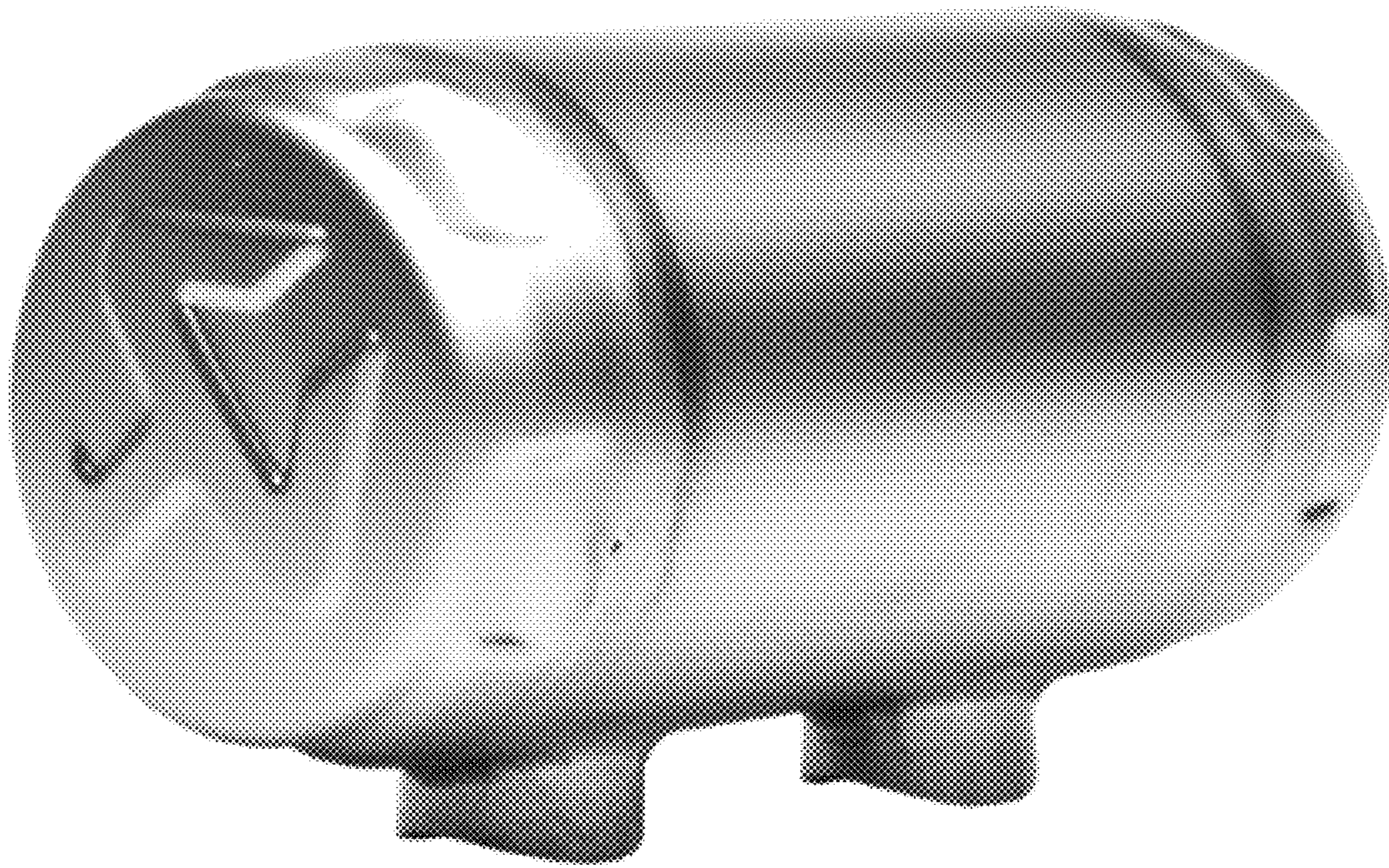
DESCRIPTION

- 1. Part of exhaust pipe
- 1.1 : Perspective
- 1.2 : Front
- 1.3 : Top
- 1.4 : Bottom
- 1.5 : Right
- 1.6 : Left
- 1.7 : Back
- 1.8 : Perspective
- 1.9 : Perspective

1 Claim, 9 Drawing Sheets



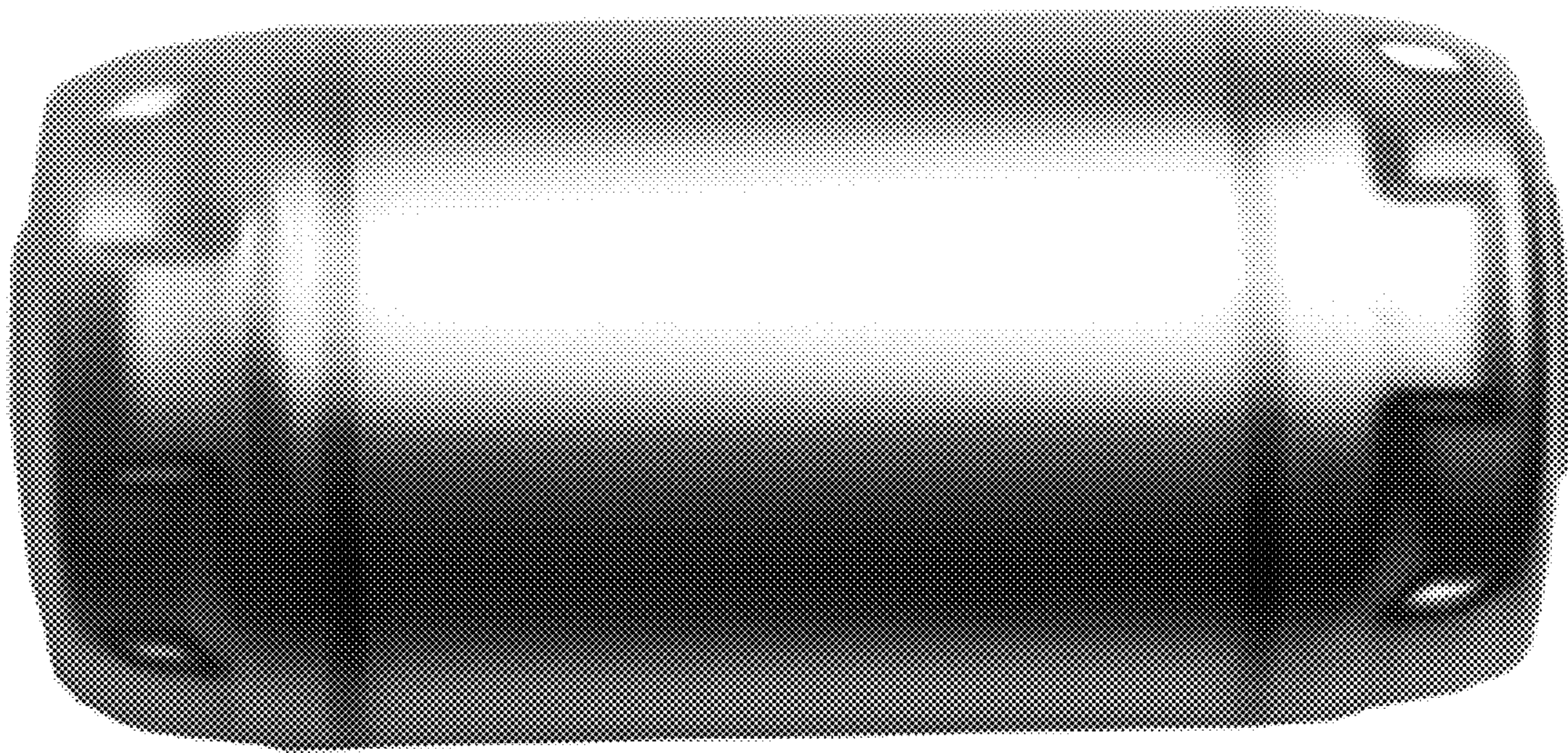
1.1



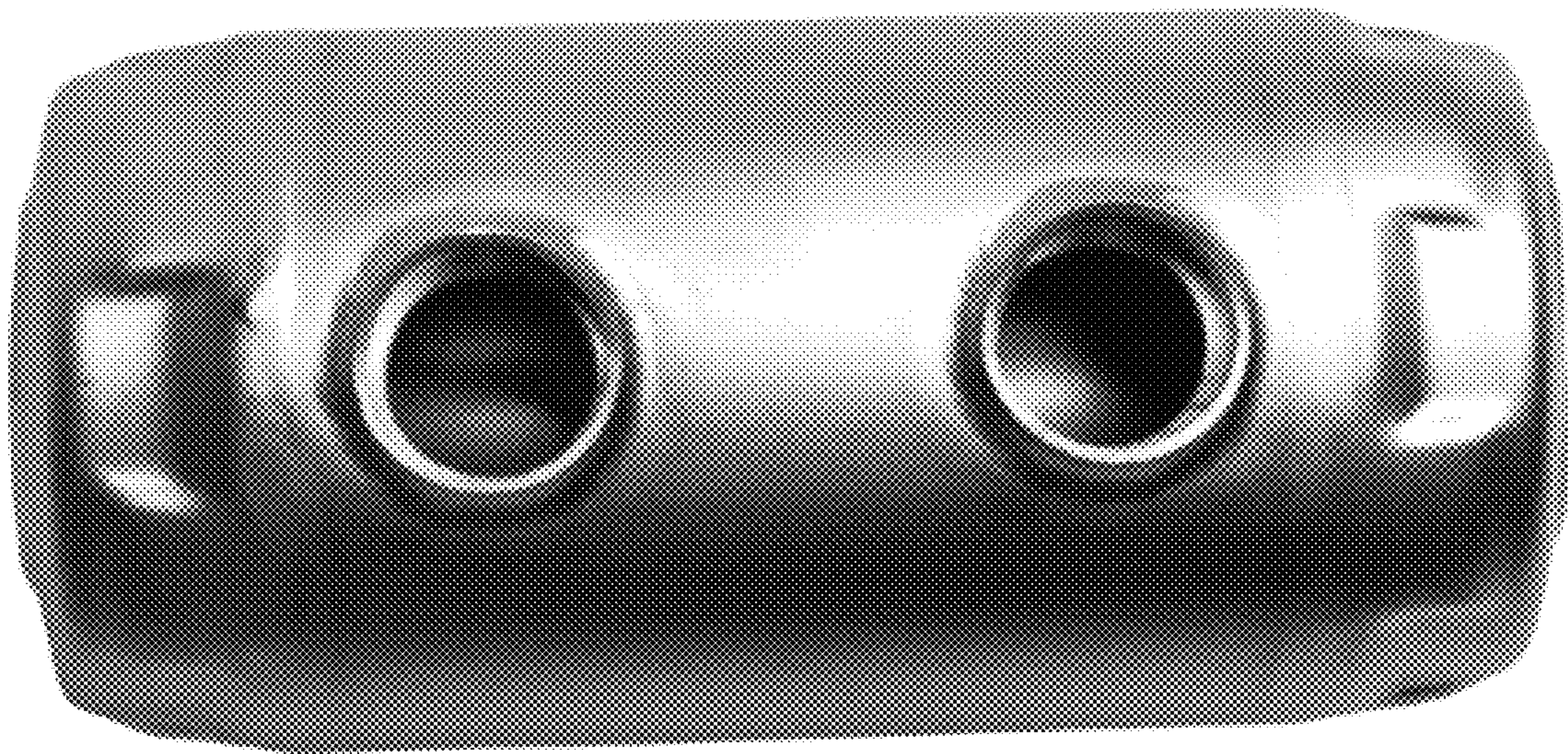
1.2



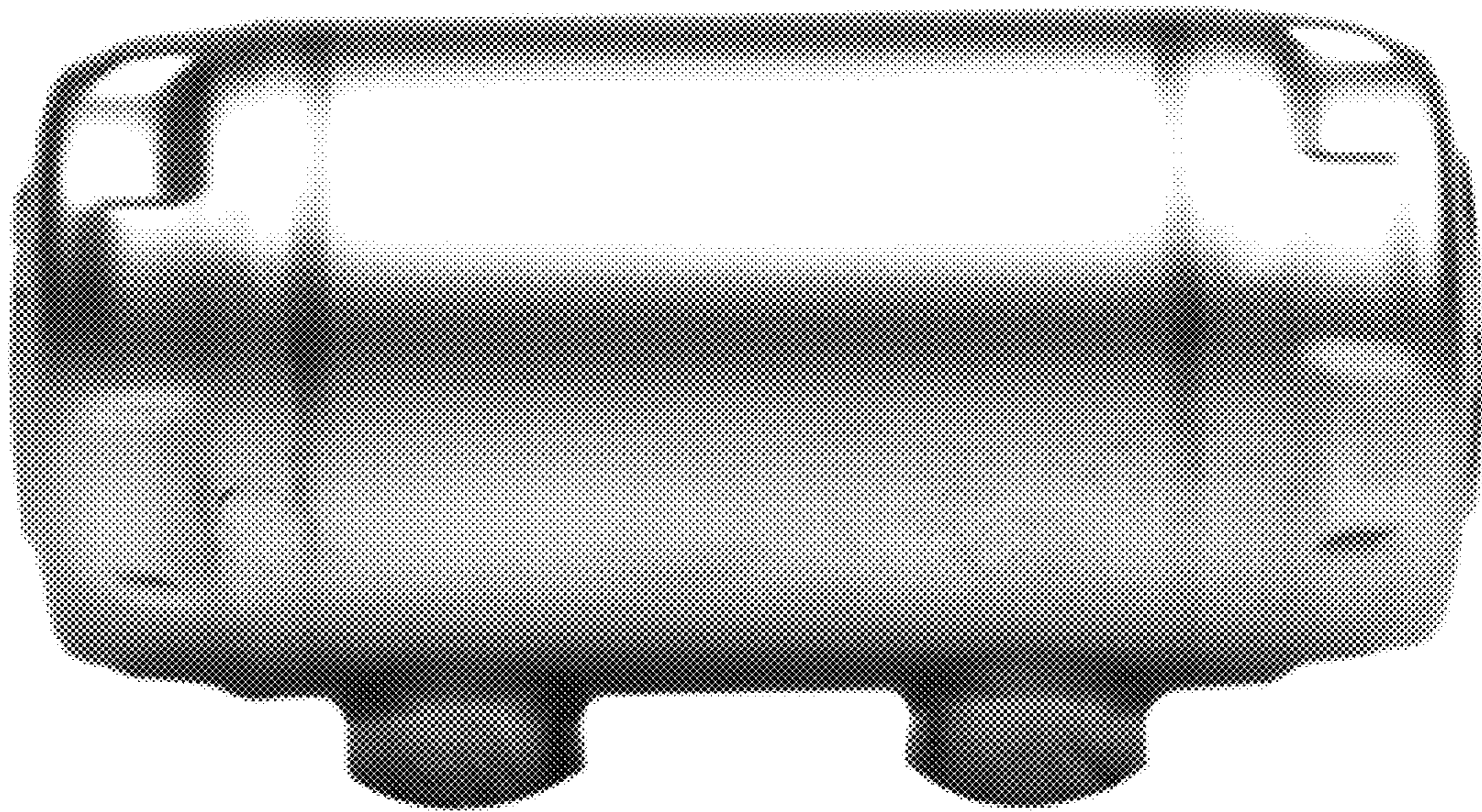
1.3



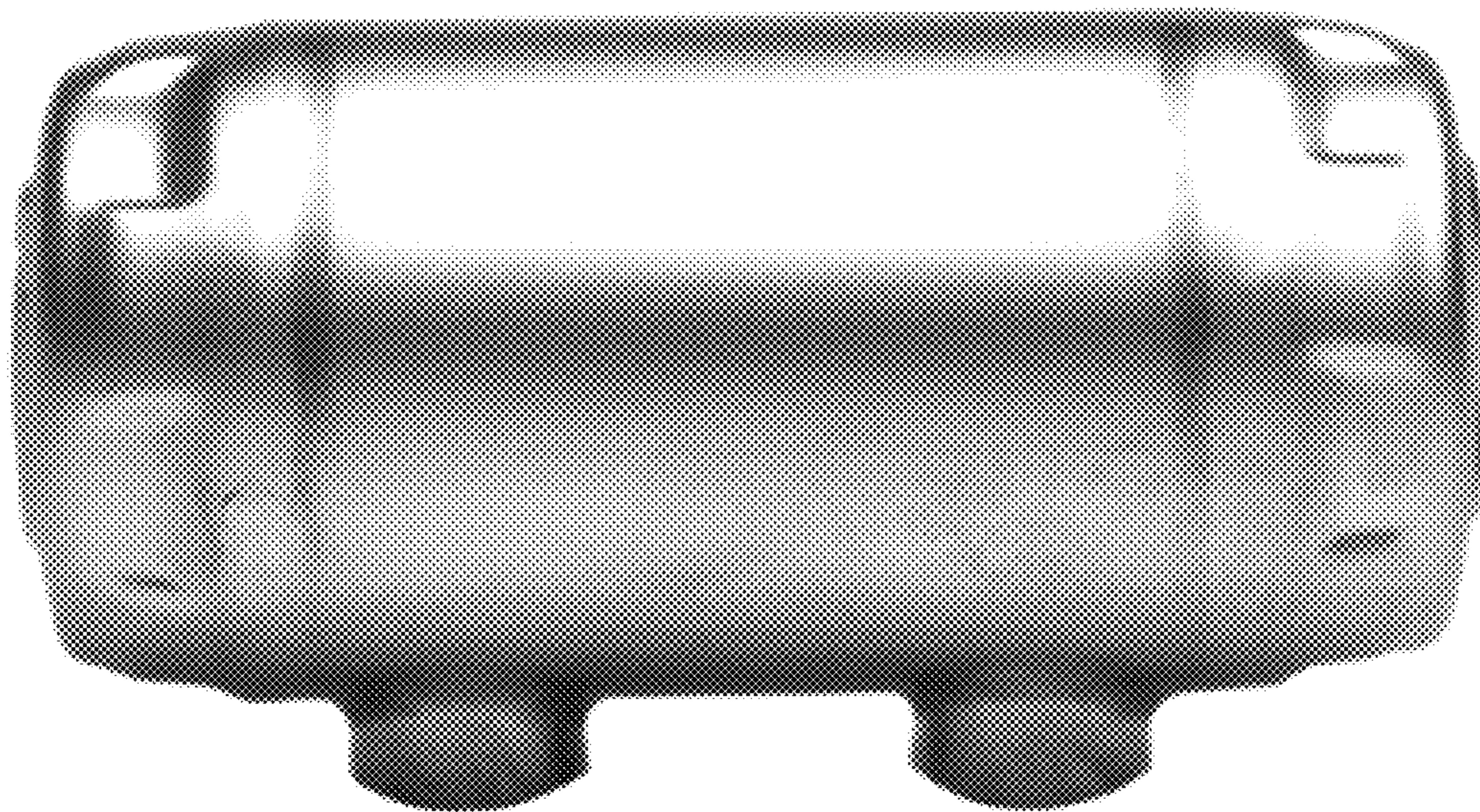
1.4



1.5



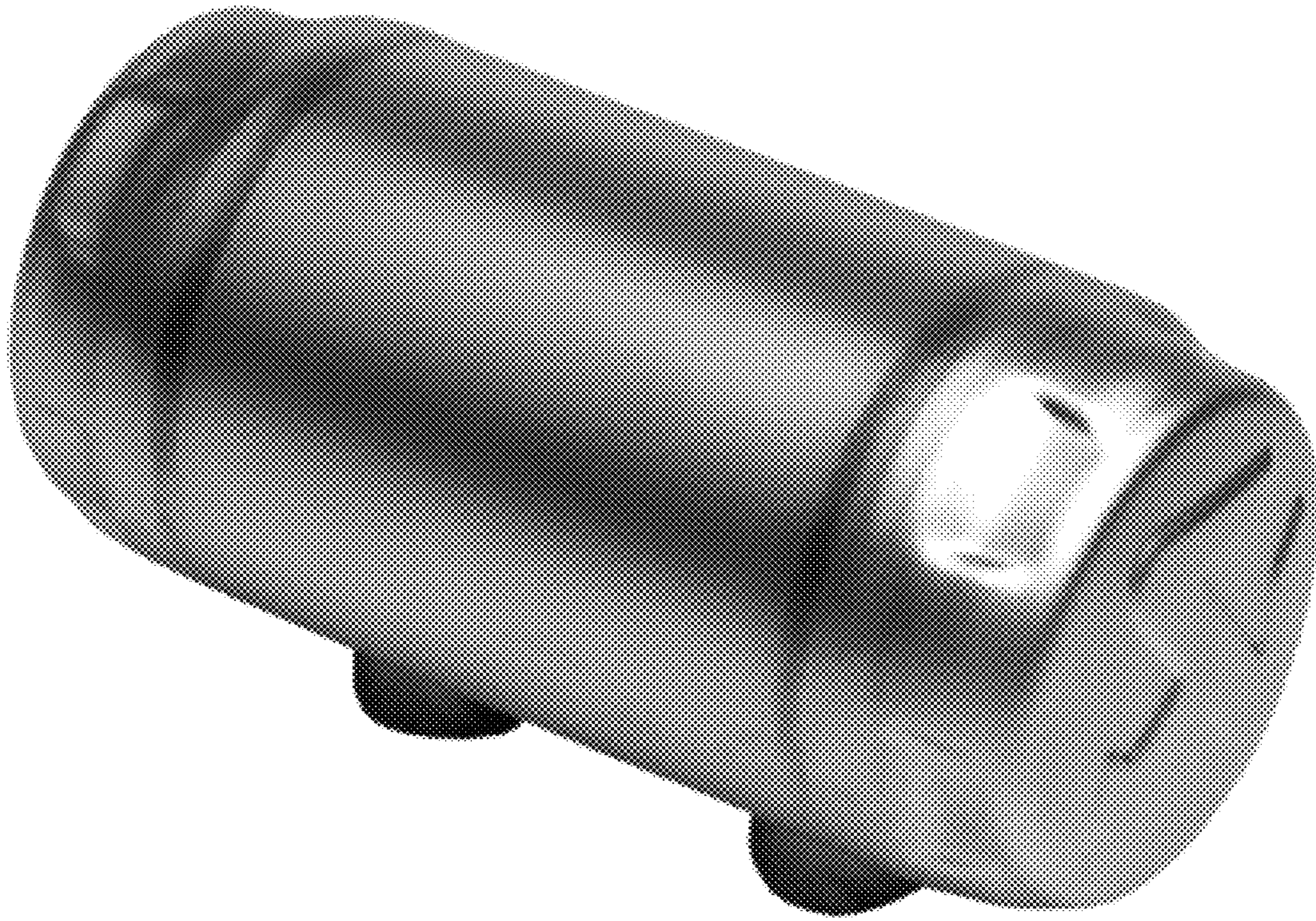
1.6



1.7



1.8



1.9

