



US00D833350S

(12) **United States Design Patent**
Windel et al.

(10) **Patent No.:** **US D833,350 S**

(45) **Date of Patent:** **** Nov. 13, 2018**

- (54) **SEE-THROUGH SUN VISOR**
- (71) Applicant: **DENSO International America, Inc.**,
Southfield, MI (US)
- (72) Inventors: **Heather Windel**, Southfield, MI (US);
Gareth Webb, Southfield, MI (US);
Ronald Clogg, Southfield, MI (US);
Feng Xue, Southfield, MI (US); **Robert**
Wunsche, III, Southfield, MI (US);
Dan Hwang, Southfield, MI (US);
Ronald Woo, Southfield, MI (US)
- (73) Assignee: **DENSO International America, Inc.**,
Southfield, MI (US)
- (**) Term: **15 Years**
- (21) Appl. No.: **29/556,066**
- (22) Filed: **Feb. 26, 2016**
- (51) **LOC (11) Cl.** **12-16**
- (52) **U.S. Cl.**
USPC **D12/191**
- (58) **Field of Classification Search**
USPC D12/190, 191, 163, 164, 181, 418, 420;
D14/132, 315; 362/492
CPC ... B60R 2001/1269; B60R 7/05; B60R 99/00;
B60J 3/00
See application file for complete search history.

- D325,554 S * 4/1992 Min-Jenn D12/417
- D334,911 S * 4/1993 Kucharski D12/191
- 5,356,192 A * 10/1994 Schierau B60J 3/0208
296/97.11
- 5,419,604 A * 5/1995 Clark B60J 3/0204
296/79
- D361,970 S * 9/1995 Zetterlund D12/191
- D364,592 S * 11/1995 Thompson D12/133

(Continued)

FOREIGN PATENT DOCUMENTS

- DE 102005020234 A1 * 11/2006 B60J 3/02
- EP 1513129 A1 * 3/2005 B60N 2/4876

(Continued)

Primary Examiner — Shannon W Morgan
Assistant Examiner — Altaira J Swangin

(57) **CLAIM**

The ornamental design for a see-through sun visor, as shown and described.

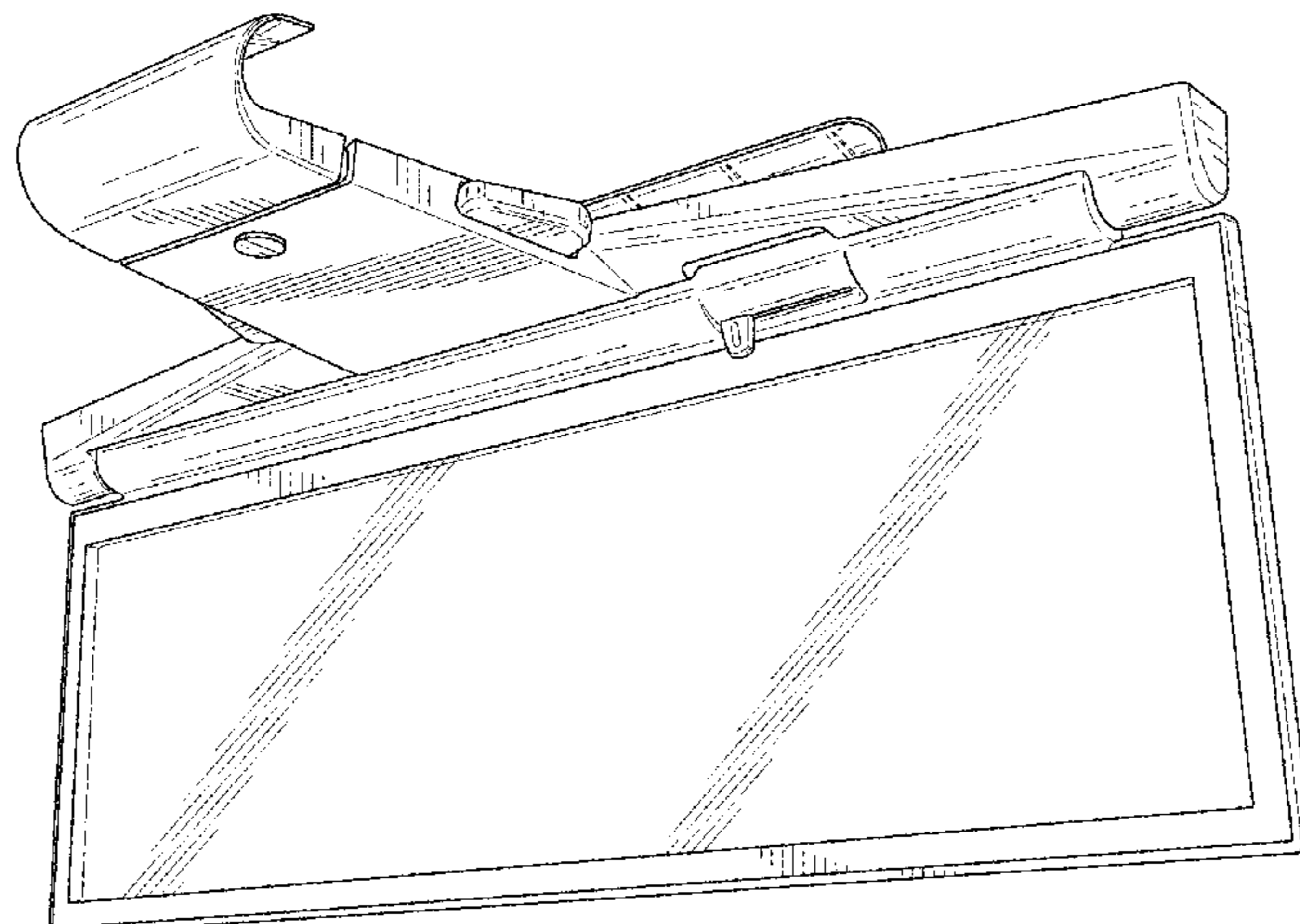
DESCRIPTION

FIG. 1 is a perspective view illustrating a see through sun visor.
 FIG. 2 is a front view of the see through sun visor shown in FIG. 1;
 FIG. 3 is a back view of the see through sun visor shown in FIG. 1;
 FIG. 4 is a right view of the see through sun visor shown in FIG. 1;
 FIG. 5 is a left view of the see through sun visor shown in FIG. 1;
 FIG. 6 is a top view of the see through sun visor shown in FIG. 1; and,
 FIG. 7 is a bottom view of the see through sun visor shown in FIG. 1.
 The portions of the see through sun visor, shown in broken lines, form no part of the claimed design.

1 Claim, 6 Drawing Sheets

(56) **References Cited**
U.S. PATENT DOCUMENTS

- D175,933 S * 11/1955 Crockett D26/38
- D188,756 S * 9/1960 Sholl D12/417
- D217,343 S * 4/1970 Seida D12/191
- D220,618 S * 5/1971 Berkoff D12/191
- D244,270 S * 5/1977 McCarroll D12/187
- D278,996 S * 5/1985 Cheung D12/191
- D310,167 S * 8/1990 Reber, II D12/417
- D317,430 S * 6/1991 Dowd D12/191
- D322,163 S * 12/1991 Shu D12/420



(56)

References Cited

U.S. PATENT DOCUMENTS

D395,029 S * 6/1998 Hare D12/191
 D398,893 S * 9/1998 Lyons D12/191
 D405,746 S * 2/1999 Larson D12/191
 5,921,607 A * 7/1999 Brooks, II B60J 3/0208
 296/97.6
 D443,573 S * 6/2001 Finlayson D12/191
 D446,507 S * 8/2001 Rosen D14/132
 D448,763 S * 10/2001 Ikenaga D14/345
 6,318,787 B1 * 11/2001 Fahy B60J 3/0208
 296/97.2
 D476,609 S * 7/2003 Gibson D12/191
 6,808,278 B1 * 10/2004 Jirnov A42B 1/24
 2/209.13
 D561,369 S * 2/2008 Sandell D26/63
 D561,671 S * 2/2008 Ma D12/191
 D564,439 S * 3/2008 Vitito D12/418
 D566,636 S * 4/2008 Ma D12/191
 D628,532 S * 12/2010 Niu D12/417

D678,084 S * 3/2013 Beland D10/50
 D764,425 S * 8/2016 Boyer, Jr. D14/132
 D792,996 S * 7/2017 Moeller D26/65
 9,701,180 B2 * 7/2017 Barna G03G 15/0872
 D797,110 S * 9/2017 Ko D14/451
 D797,629 S * 9/2017 Abruzzio D12/191
 D798,304 S * 9/2017 Sung D14/447
 D807,843 S * 1/2018 Harris D14/126
 D807,847 S * 1/2018 Ahn D14/126
 2007/0126255 A1 * 6/2007 Mitsui B60J 3/0204
 296/97.2
 2014/0011550 A1 * 1/2014 Fargeau H04M 1/6075
 455/569.2
 2017/0240026 A1 * 8/2017 Abruzzio B60J 3/0217
 2018/0162202 A1 * 6/2018 Yoshimi B60J 3/00

FOREIGN PATENT DOCUMENTS

WO WO 2004037612 A1 * 5/2004 B60R 11/02353
 WO WO 2005065995 A1 * 7/2005 B60R 7/05

* cited by examiner

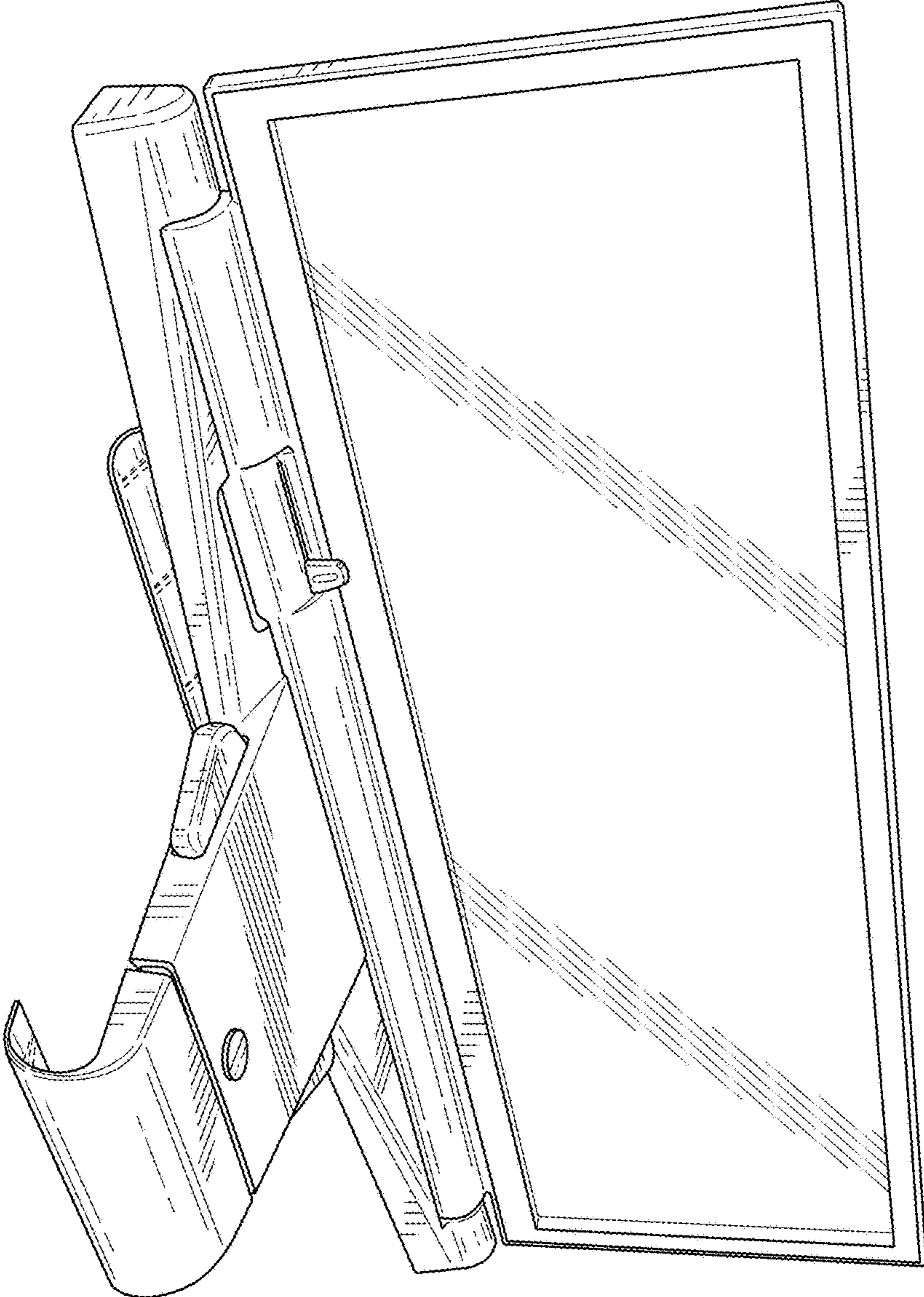


FIG. 1

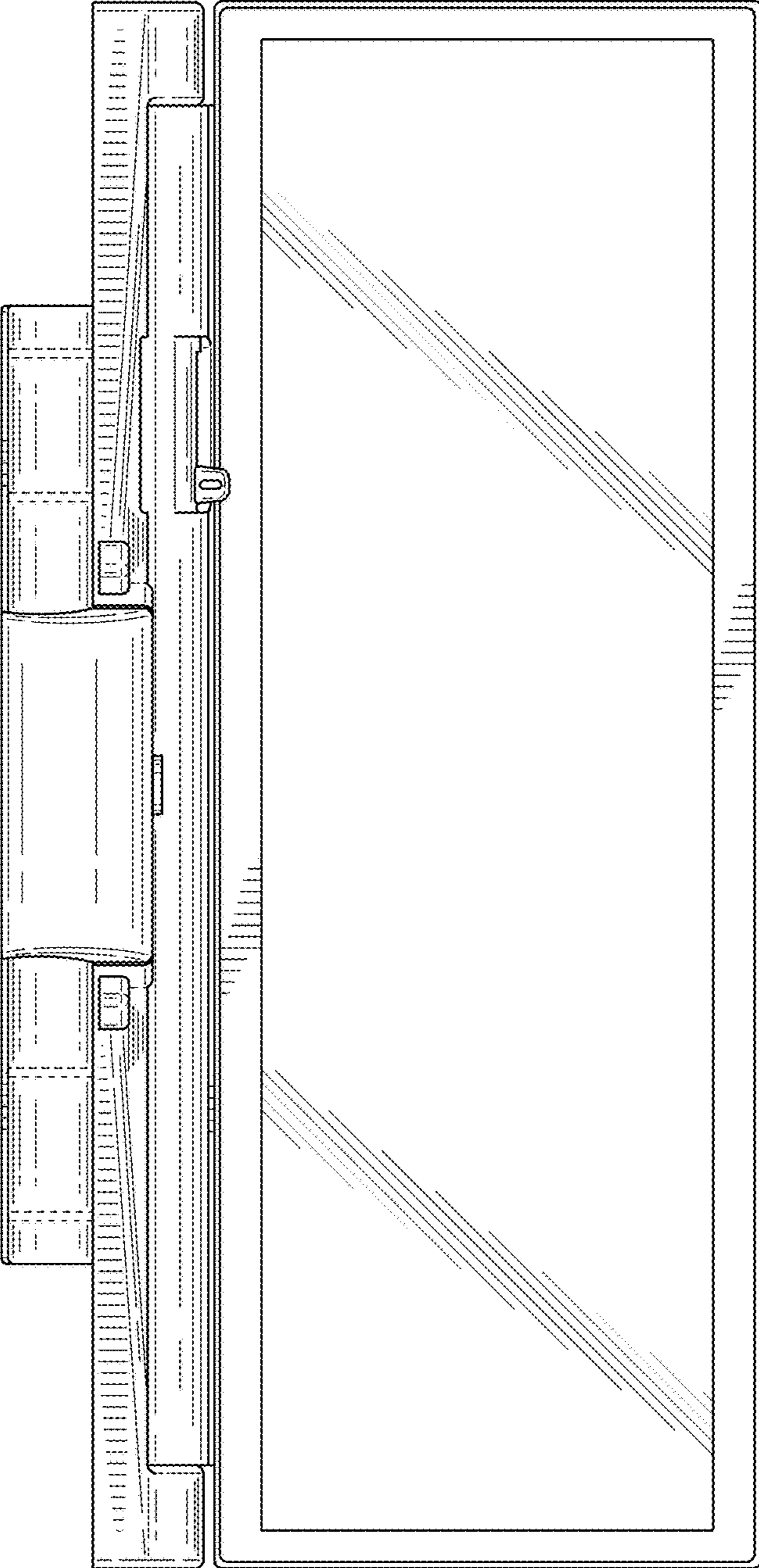


FIG. 2

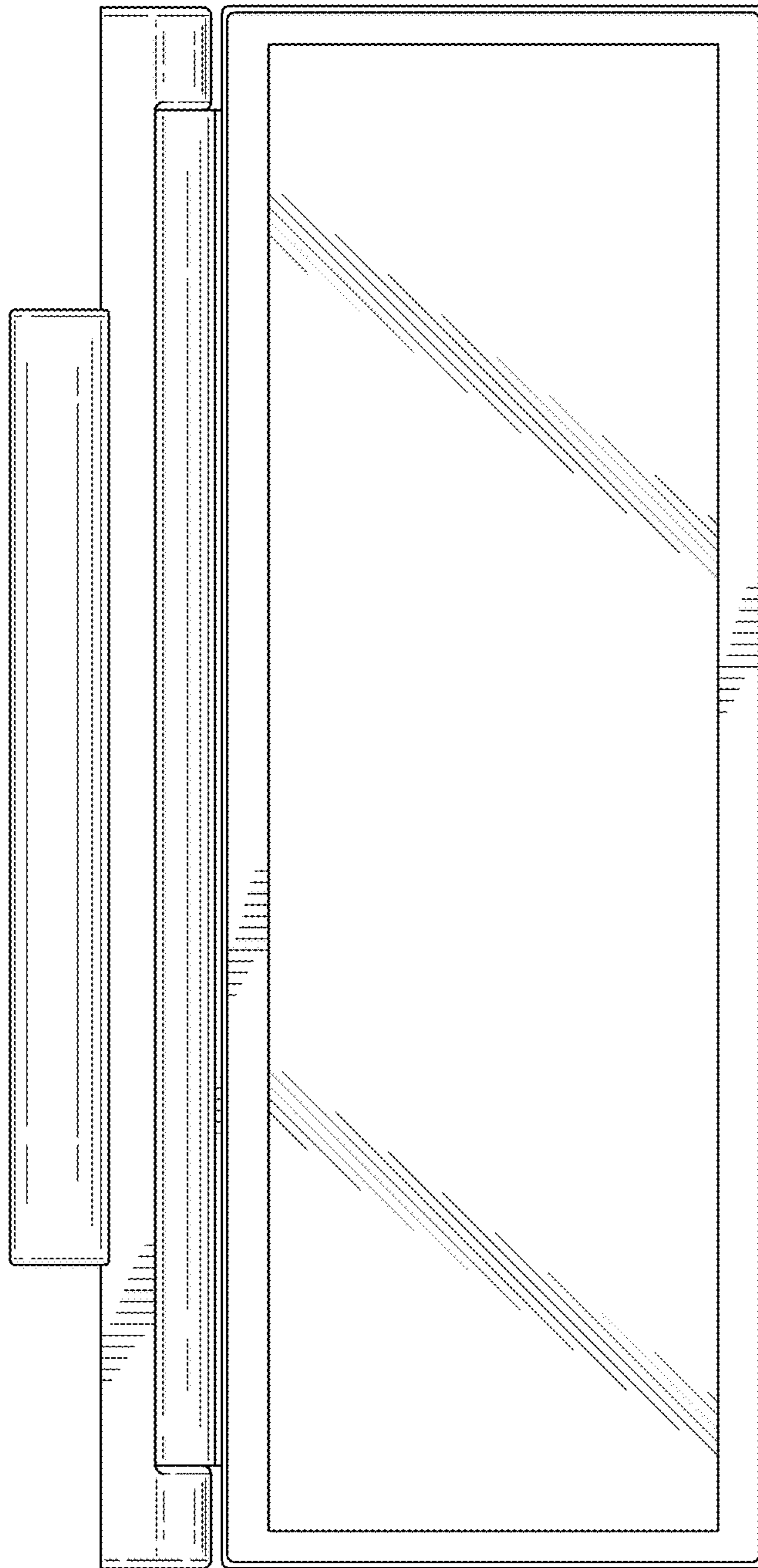


FIG. 3

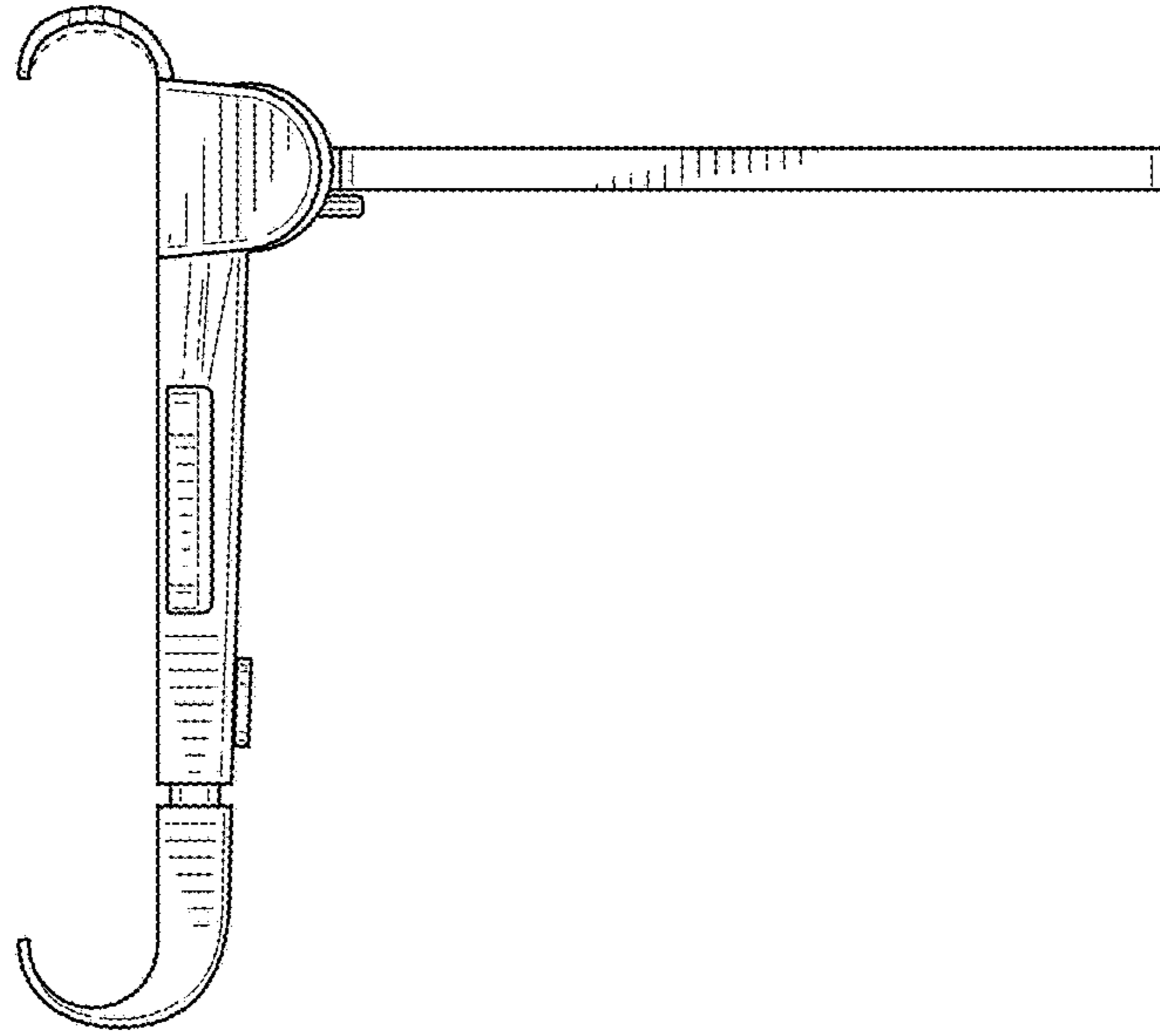


FIG. 5

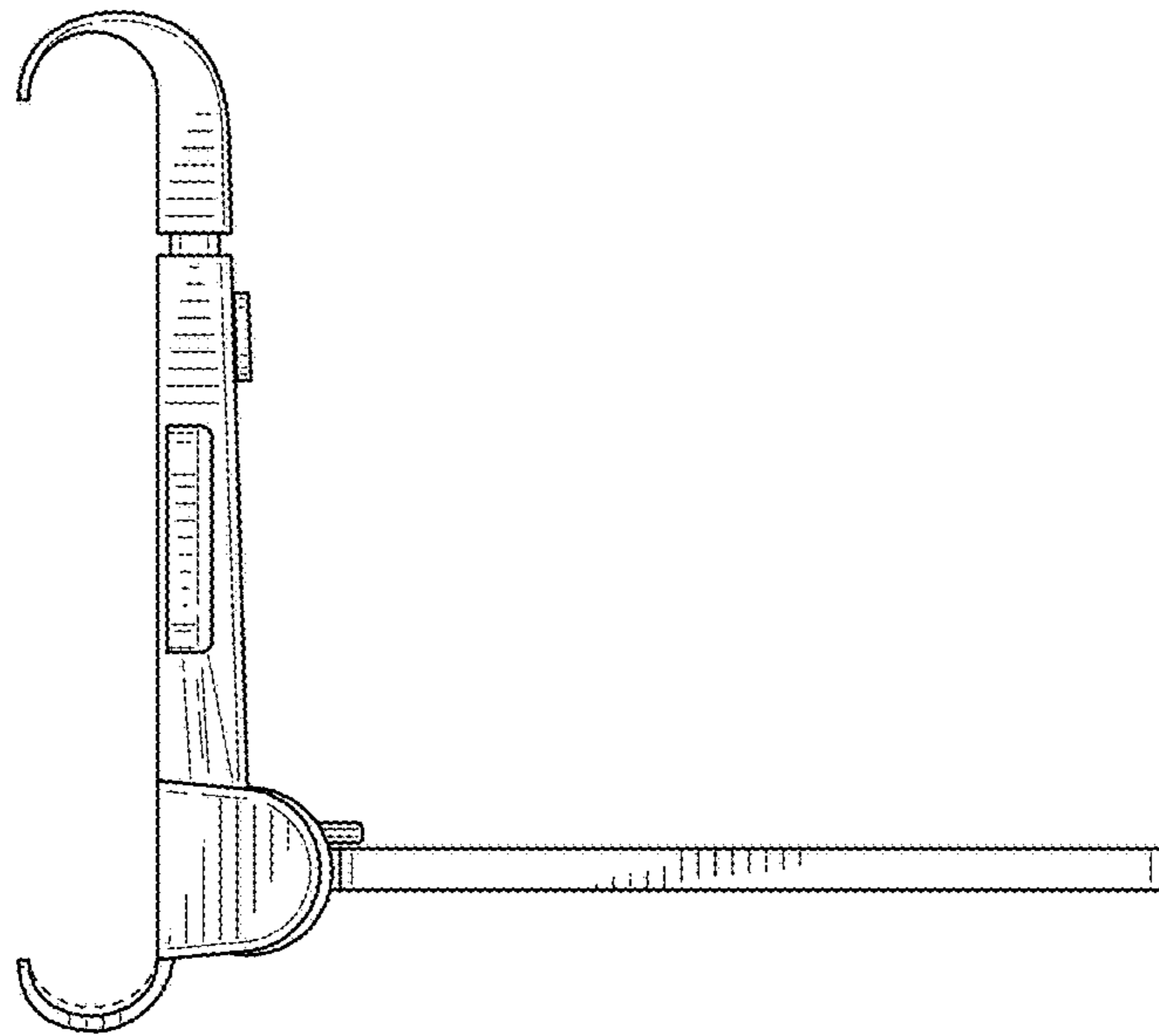


FIG. 4

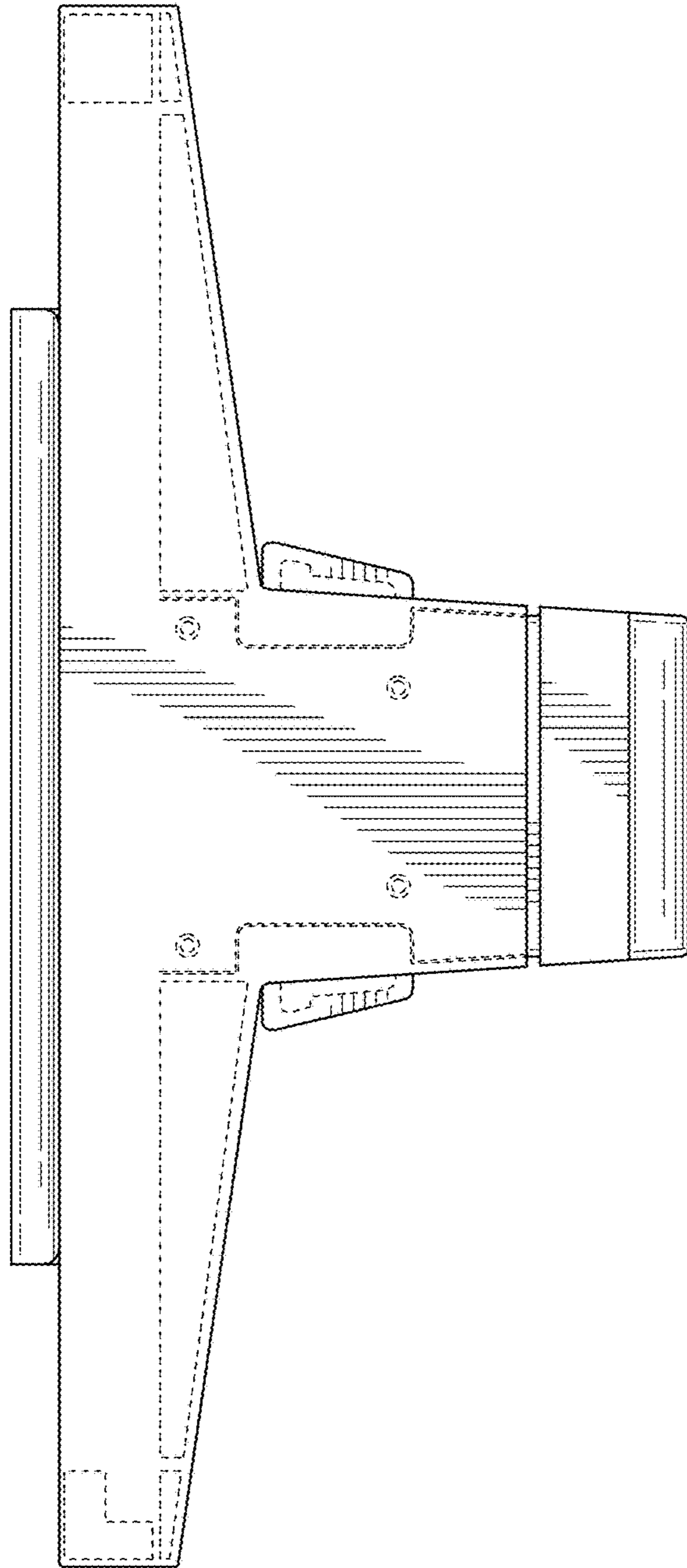


FIG. 6

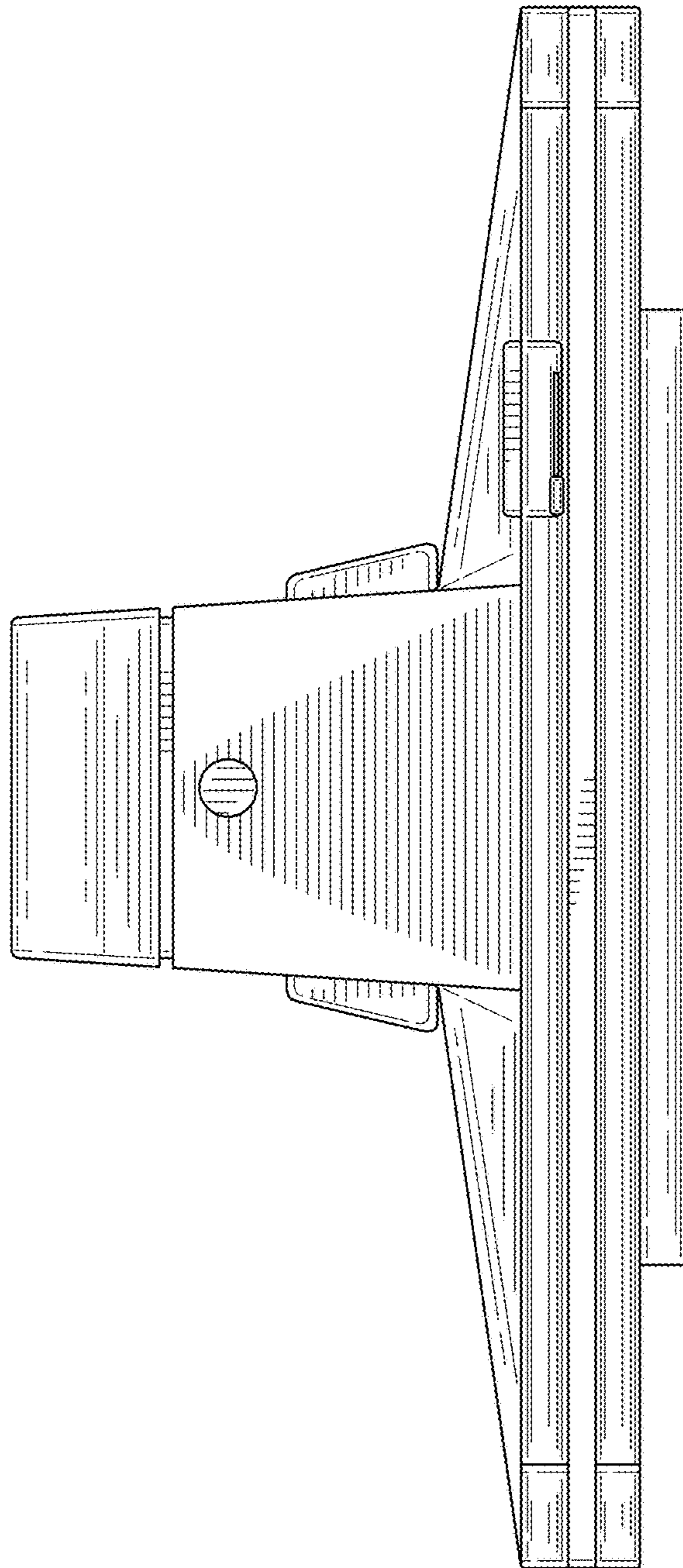


FIG. 7