



US00D833348S

(12) **United States Design Patent** (10) **Patent No.:** **US D833,348 S**  
**Hammer** (45) **Date of Patent:** **\*\* Nov. 13, 2018**

- (54) **DISC BRAKE ROTOR ADAPTER**
- (71) Applicant: **SAF-HOLLAND, Inc.**, Holland, MI (US)
- (72) Inventor: **Edward Hammer**, Muskegon, MI (US)
- (73) Assignee: **SAF-HOLLAND, Inc.**, Muskegon, MI (US)
- (\*\*) Term: **15 Years**
- (21) Appl. No.: **29/593,100**
- (22) Filed: **Feb. 6, 2017**

**Related U.S. Application Data**

- (63) Continuation of application No. 29/554,210, filed on Feb. 9, 2016, now Pat. No. Des. 787,394.
- (51) **LOC (11) Cl.** ..... **12-16**
- (52) **U.S. Cl.**  
USPC ..... **D12/180**
- (58) **Field of Classification Search**  
USPC ..... D12/14, 40, 87, 88, 92, 106, 107, 110, D12/114, 115, 117, 118, 122, 126, 160, D12/161, 162, 174, 177, 179, 180, 181, D12/189, 196, 207, 217, 223, 400, 401, D12/404, 408, 415, 420, 423  
CPC .. B32B 3/06; B60R 1/025; B60R 1/08; B60T 1/06; B60T 7/00; B60T 8/265; B60T 11/00; B60T 11/103; B60T 13/00; B60T 13/66; B60T 17/223; B60T 2201/00; B60T 2201/03; B60T 2260/00; B60T 2270/82; B60T 2270/83; B62K 23/06; B62H 5/001; B62J 9/006; B62L 1/02; B62L 3/02; B62D 13/025; B62D 21/18; B62D 53/045; B62D 63/04; B62D 65/02; B62D 65/18; B65D 43/16; B65D 43/22; B65D 55/02; F16D 55/00; F16D 55/22; F16D 65/00; F16D 65/092; F16D 65/095; F16D 65/097; F16D 65/14; F16D 65/16; F16D 65/18; F16D

(Continued)

- (56) **References Cited**  
U.S. PATENT DOCUMENTS  
D303,103 S \* 8/1989 Brouch ..... D12/207  
D364,842 S \* 12/1995 Hoepfner ..... D12/207  
(Continued)

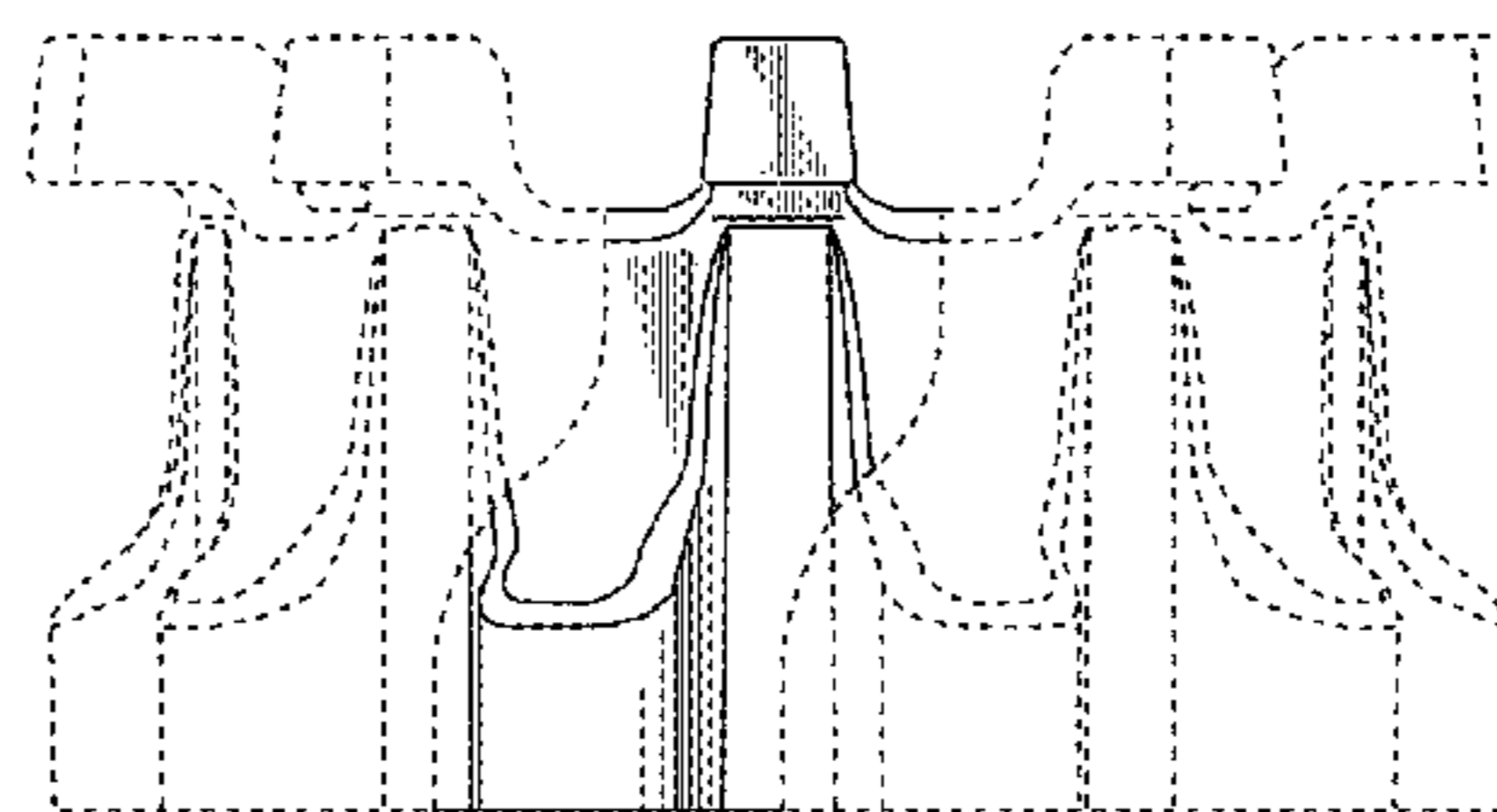
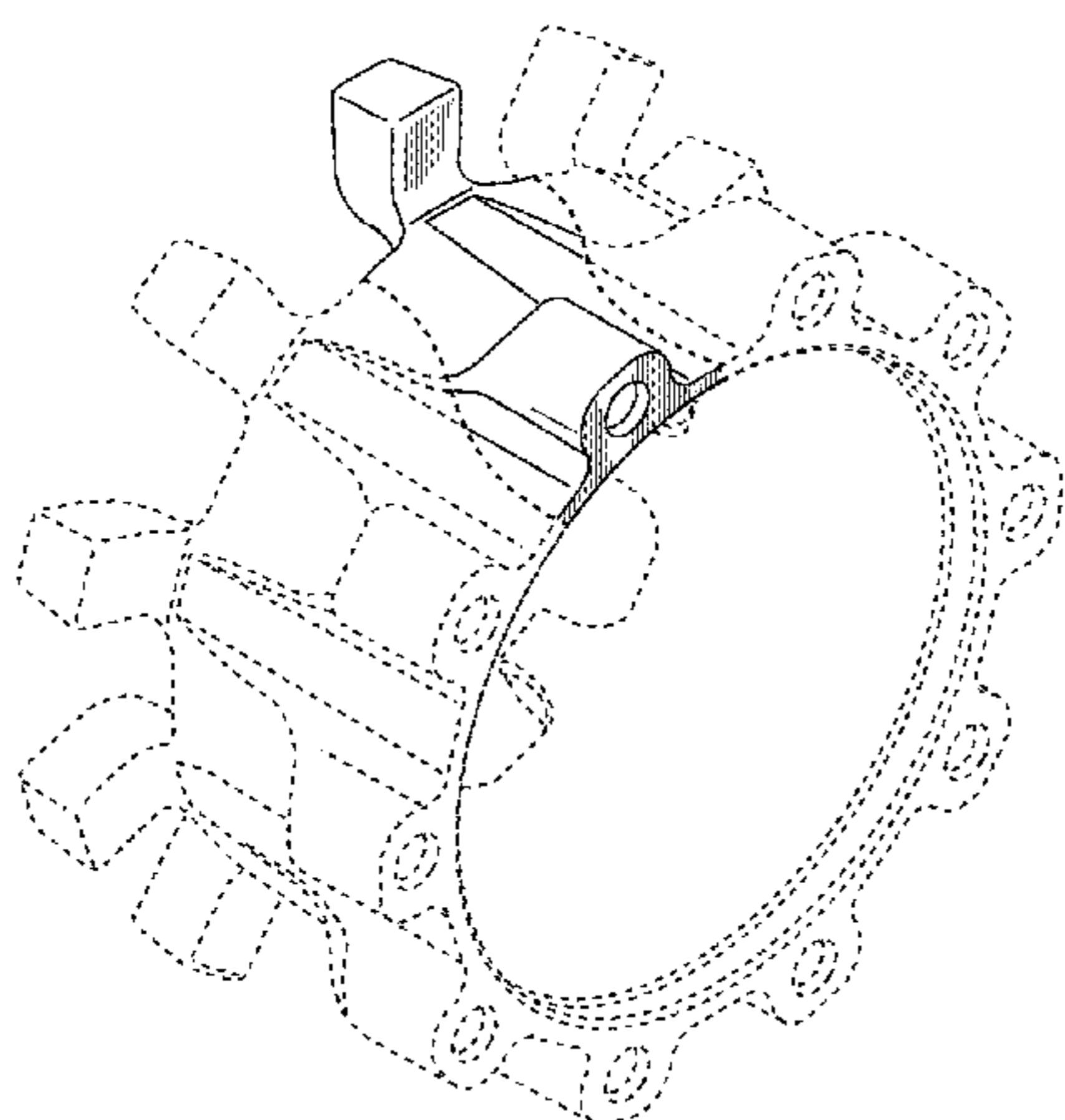
- OTHER PUBLICATIONS**  
Reply to Preguntale a Don Ivan—photo, image post date Dec. 21, 2012, site visited Jun. 21, 2018, (online), <<https://www.motociclistas.cl/foro/index.php?topic=47973.200>>.\*  
(Continued)

*Primary Examiner* — Kevin K Rudzinski  
*Assistant Examiner* — Sean D Lough  
(74) *Attorney, Agent, or Firm* — Price Heneveld LLP

- (57) **CLAIM**  
The ornamental design for disc brake rotor adapter, as shown and described.

**DESCRIPTION**  
FIG. 1 is a perspective view of a disc brake rotor adapter; FIG. 2 is a first side elevation view of the disc brake rotor adapter; FIG. 3 is a rear elevation view of the disc brake rotor adapter; FIG. 4 is a second side elevation view of the disc brake rotor adapter; FIG. 5 is a front elevation view of the disc brake rotor adapter; FIG. 6 is a top plan view of the disc brake rotor adapter; and, FIG. 7 is a bottom plan view of the disc brake rotor adapter. The broken lines within the figures illustrate portions of the disc brake rotor adapter that form no part of the claimed design.

**1 Claim, 4 Drawing Sheets**



(58) **Field of Classification Search**

CPC ..... 65/22; F16D 65/38; F16D 65/56; F16D 65/847; F16D 66/02; F21S 48/00; F42B 10/64; G01S 13/931

See application file for complete search history.

(56) **References Cited**

U.S. PATENT DOCUMENTS

6,257,678 B1 \* 7/2001 Brookey ..... B60B 27/02  
301/105.1  
6,612,657 B1 \* 9/2003 Fakhoury ..... B60B 27/02  
301/105.1  
7,017,718 B2 \* 3/2006 Gotti ..... F16D 65/123  
188/218 XL  
D519,837 S \* 5/2006 Sturk ..... D9/453  
D585,801 S \* 2/2009 Wang ..... D12/207  
D593,464 S \* 6/2009 Mentis ..... D12/178  
D651,150 S \* 12/2011 Biewer ..... D12/207  
D651,151 S \* 12/2011 Biewer ..... D12/207  
D741,697 S \* 10/2015 McGrath ..... D8/382  
D751,489 S \* 3/2016 Chung ..... D12/213  
D756,417 S \* 5/2016 Rabbitt ..... D15/5  
D756,418 S \* 5/2016 Rabbitt ..... D15/5  
9,377,067 B2 \* 6/2016 Mellberg ..... B23P 19/04  
D761,084 S \* 7/2016 Cox ..... D8/354  
9,400,044 B2 \* 7/2016 Wadhva ..... F16H 48/08  
D762,536 S \* 8/2016 Wurzer ..... D12/174  
D766,801 S \* 9/2016 Lin ..... D12/207  
D768,044 S \* 10/2016 Huang ..... D12/207  
D787,394 S \* 5/2017 Hammer ..... D12/180  
D788,172 S \* 5/2017 Itomi ..... D12/124  
2004/0207249 A1 \* 10/2004 Baumgartner ..... F16D 65/123  
301/105.1  
2005/0236886 A1 \* 10/2005 Hall ..... B60B 27/00  
301/105.1  
2007/0017316 A1 \* 1/2007 Tsumiyama ..... B62K 23/06  
74/502.2  
2009/0098963 A1 \* 4/2009 Watarai ..... B62K 23/06  
474/80

2009/0211856 A1 \* 8/2009 Sollenskog ..... F16D 65/12  
188/18 A  
2011/0156475 A1 \* 6/2011 Fakhoury ..... B60B 27/02  
301/105.1  
2013/0334867 A1 \* 12/2013 Christ ..... B60K 7/0007  
301/6.1  
2014/0197676 A1 \* 7/2014 Wiechmann ..... B60B 27/0057  
301/105.1  
2014/0238789 A1 \* 8/2014 Boonpongmanee .. F16D 55/025  
188/72.4  
2014/0252846 A1 \* 9/2014 Sawant ..... B60B 27/02  
301/105.1  
2015/0015058 A1 \* 1/2015 Perini ..... B60B 27/00  
301/105.1  
2015/0021128 A1 \* 1/2015 White ..... F16D 65/128  
188/218 XL  
2015/0165819 A1 \* 6/2015 Niebling ..... B60B 27/00  
301/105.1  
2017/0227077 A1 \* 8/2017 Hammer ..... F16D 65/123

OTHER PUBLICATIONS

Broakland Fixed Hub Disc Adapter, image post date Oct. 5, 2009, site visited Dec. 28, 2016, (online), <<http://urbanvelo.org/montano-velo-fixed-hub-disc-adapter/>>.\*  
Reverse Centerlock Adapter, image post date Jan. 11, 2015, site visited Dec. 28, 2016, (online), <<https://www.rosebikes.de/artikel/reverse-centerlock-adapter/aid:777033>>.\*  
Gear Rev. Idler S17-20T, image post date 2013, site visited Dec. 28, 2016, (online), <<http://www.libertytruckandauto.com/partinfo.php?id=AT18-10R>>.\*  
DRW Hub, image post date Feb. 7, 2008, site visited Dec. 28, 2016, (online), <<https://www.tineye.com/search/a4381235989311058d5edfdb5c20188067527c50/>>.\*  
SAF Integral air disc brake axle system with P89 wheel end package, image post date Apr. 15, 2014, site visited Dec. 28, 2016, (online), <<http://www.fleetequipmentmag.com/saf-holland-highlights-saf-integral-air-disc-brake-axle-system-p89-wheel-end-package/>>.\*

\* cited by examiner

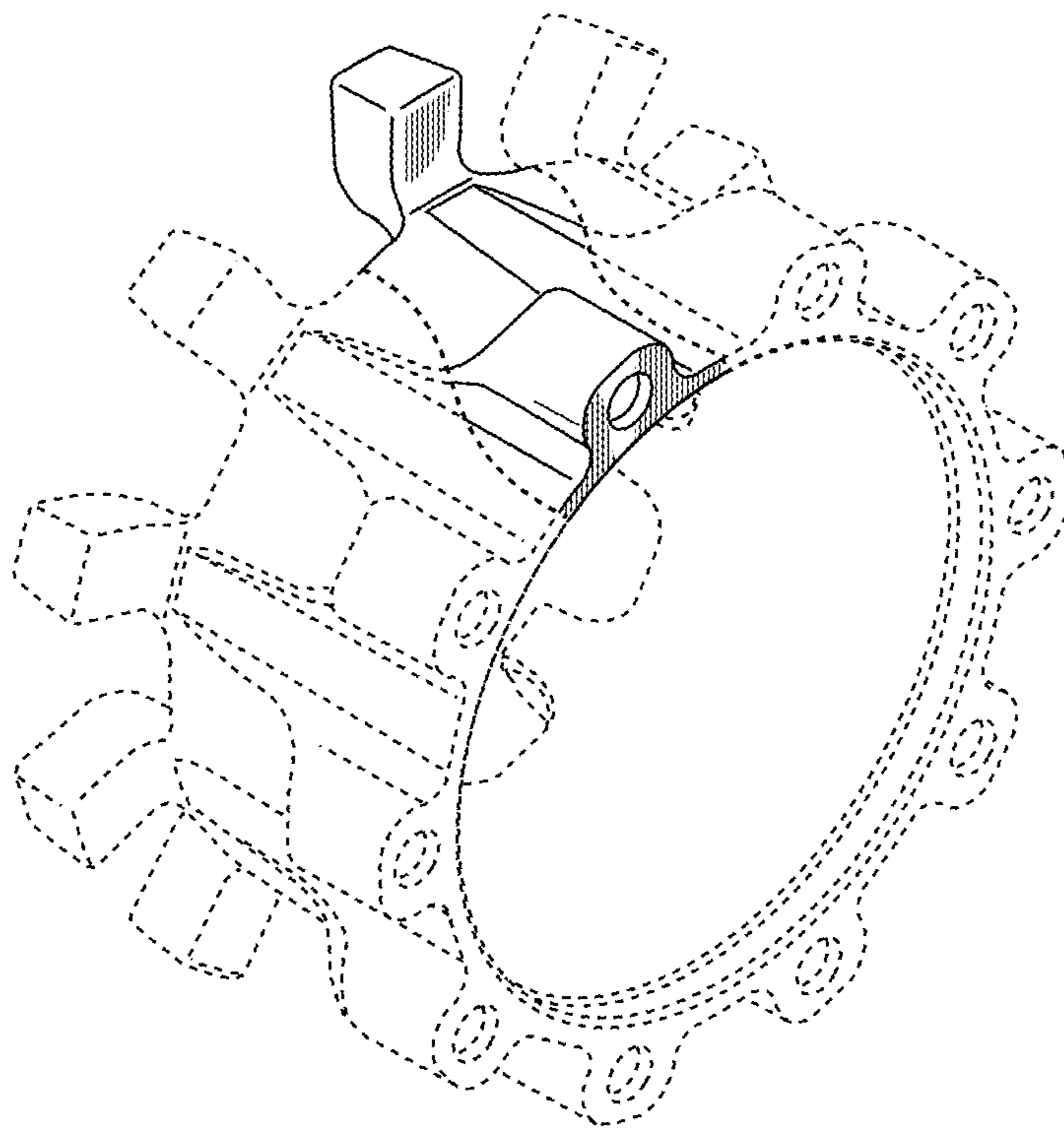


FIG. 1

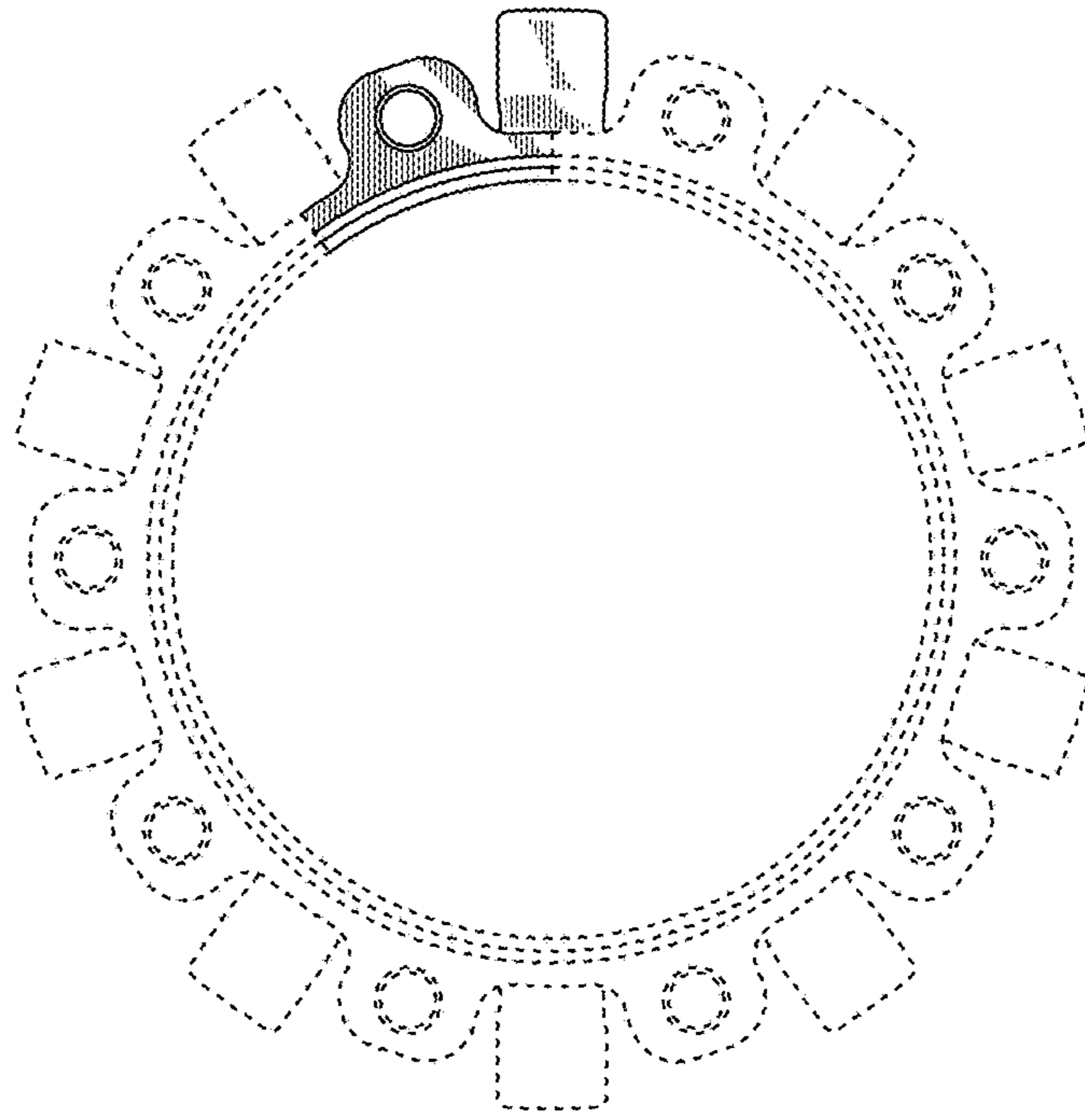


FIG. 2

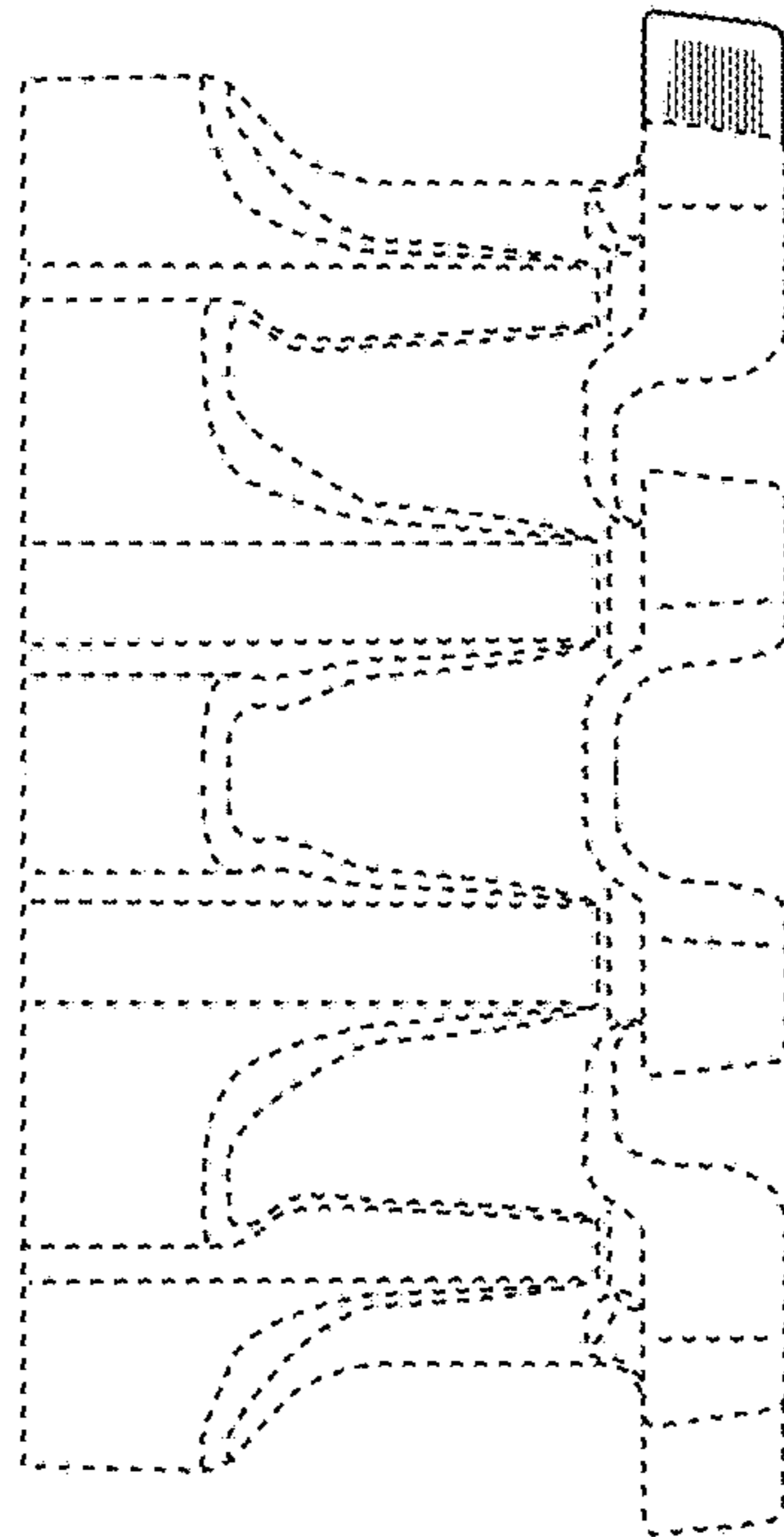


FIG. 3

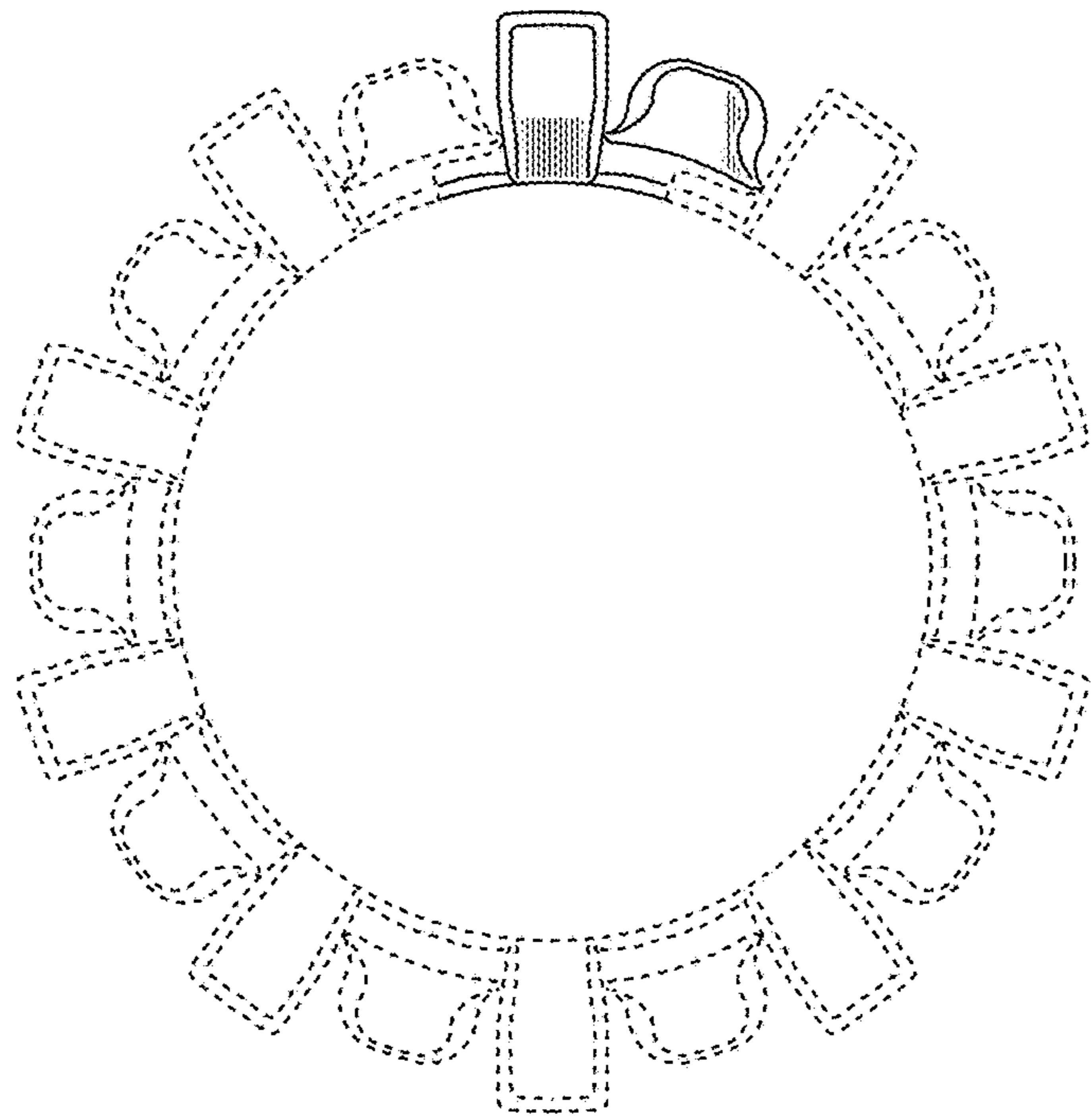


FIG. 4

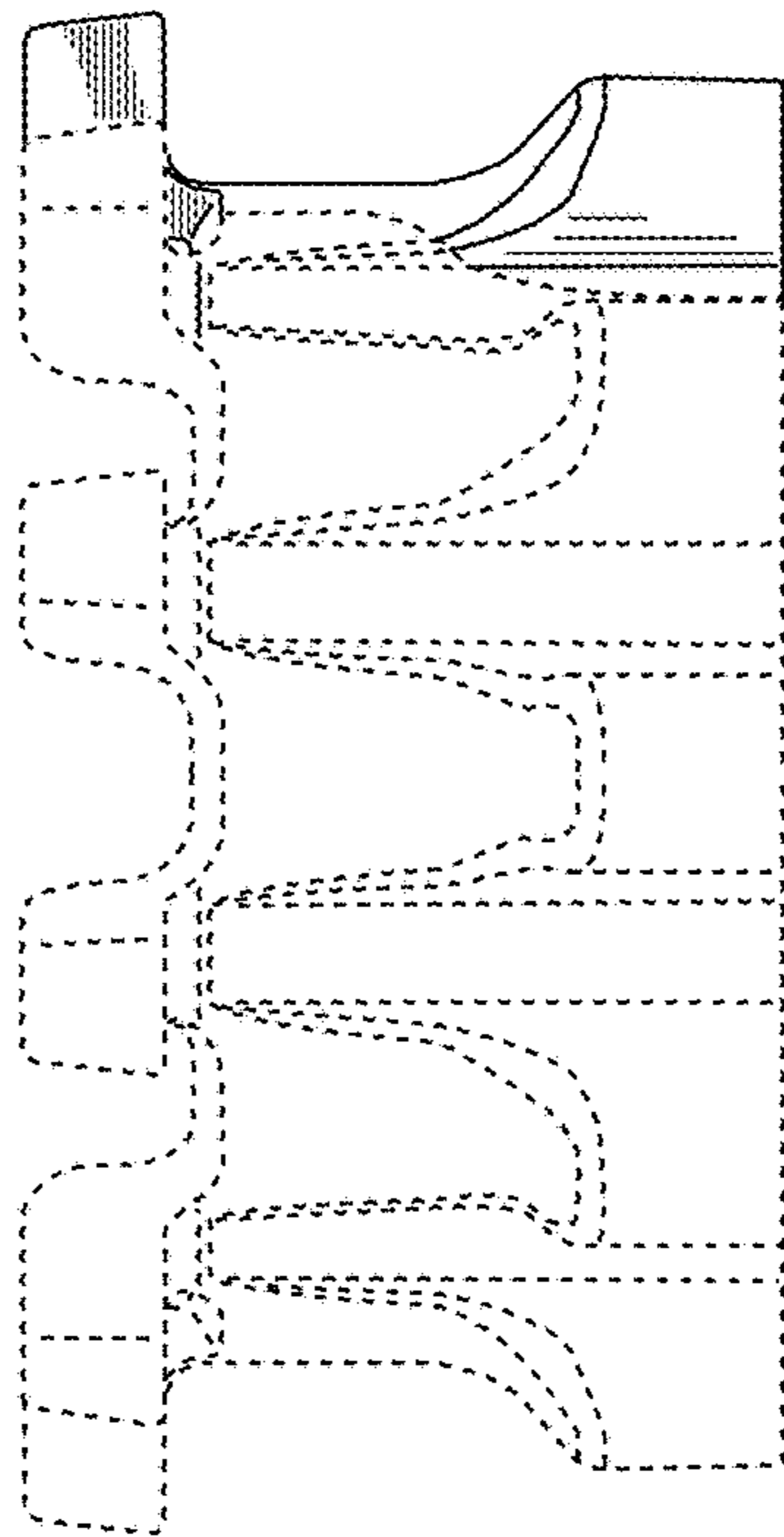


FIG. 5

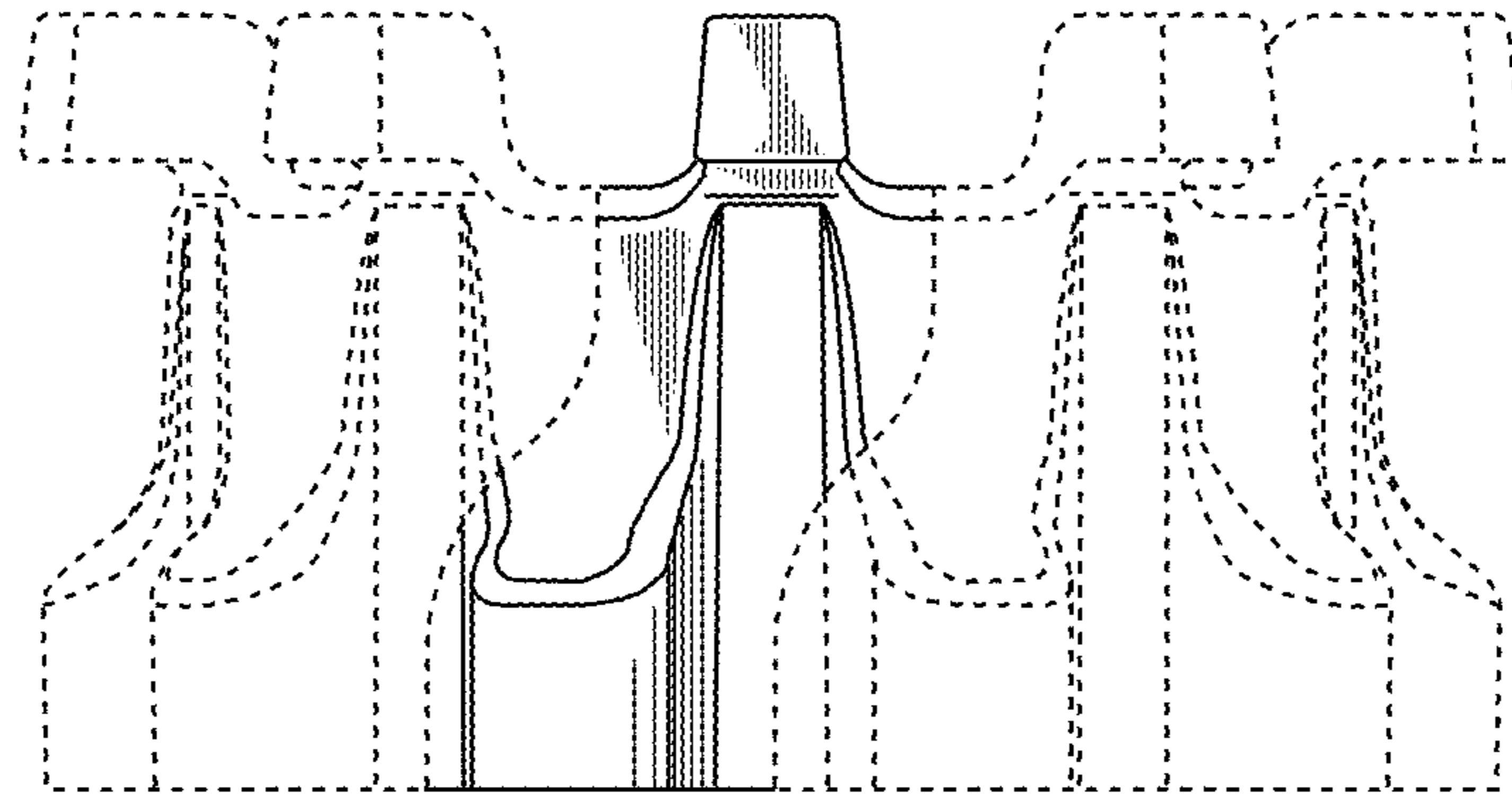


FIG. 6

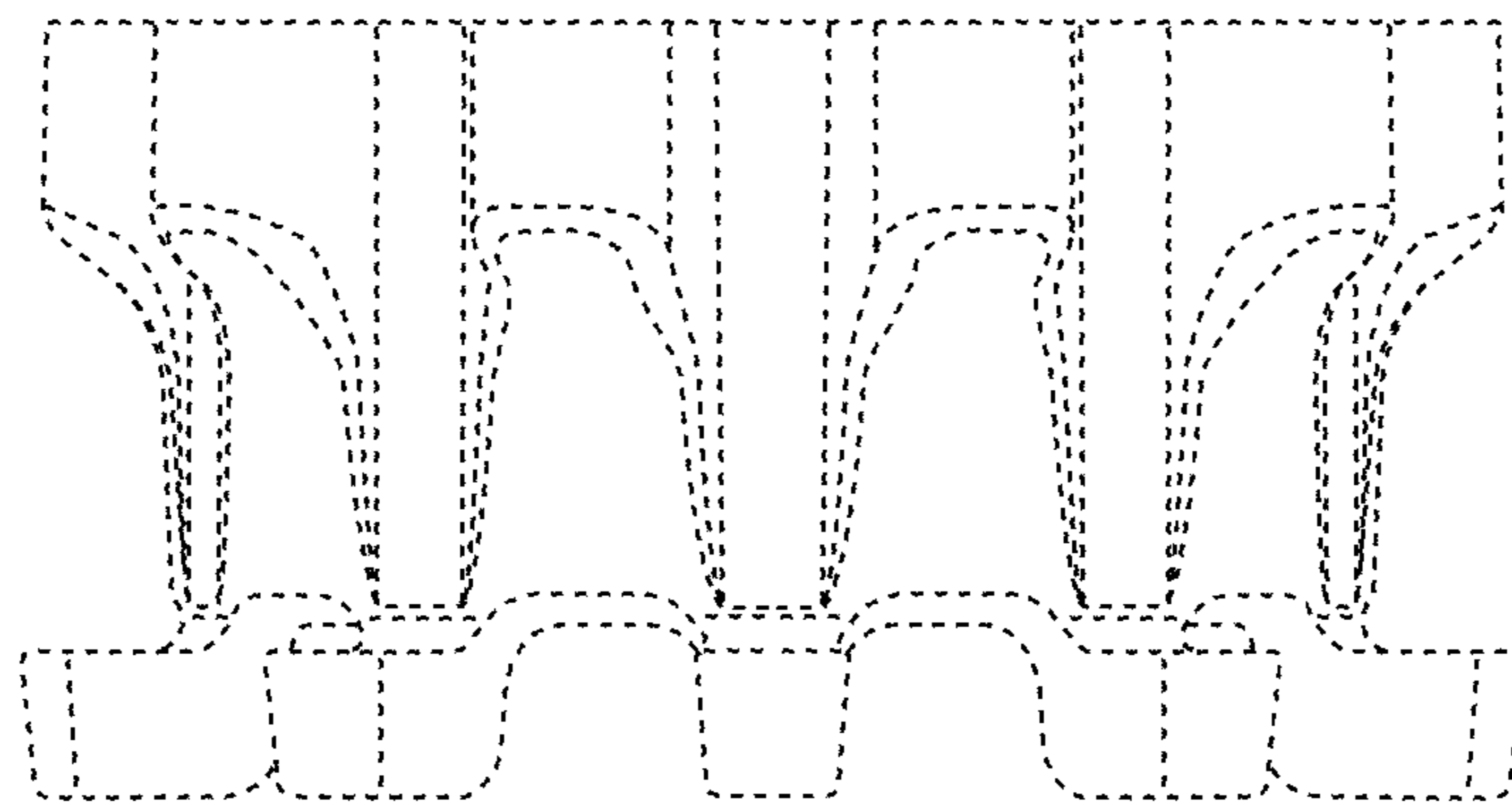


FIG. 7