



US00D833343S

(12) **United States Design Patent** (10) **Patent No.:** **US D833,343 S**
Patel et al. (45) **Date of Patent:** **** Nov. 13, 2018**

(54) **REAR BUMPER**

CPC B60R 19/02; B60R 19/04; B62D 25/08
See application file for complete search history.

(71) Applicant: **Jaguar Land Rover Limited**, Whitley,
Coventry (GB)

(56) **References Cited**

(72) Inventors: **Paven Patel**, Coventry (GB); **Alex Chan**, Coventry (GB); **Michael O'Neill**, Coventry (GB)

U.S. PATENT DOCUMENTS

(73) Assignee: **Jaguar Land Rover Limited**, Whitley,
Coventry (GB)

D699,167	S	*	2/2014	Sato	D12/169
D714,196	S	*	9/2014	Mays	D12/169
D738,800	S	*	9/2015	Mueller-Stolz	D12/169
D740,728	S	*	10/2015	Gunnarson	D12/169
D750,539	S	*	3/2016	Iwauchi	D12/169
D754,576	S	*	4/2016	Nissl	D12/169
D760,129	S	*	6/2016	Whang	D12/169
D766,784	S	*	9/2016	Arroba	D12/169
D784,864	S	*	4/2017	Patel	D12/169
D807,258	S	*	1/2018	Patel	D12/169

(**) Term: **15 Years**

* cited by examiner

(21) Appl. No.: **29/615,414**

(22) Filed: **Aug. 29, 2017**

Primary Examiner — Melody N Brown

Related U.S. Application Data

(74) *Attorney, Agent, or Firm* — Wood Herron & Evans
LLP

(62) Division of application No. 29/596,767, filed on Mar. 10, 2017, now Pat. No. Des. 807,258, which is a division of application No. 29/532,494, filed on Jul. 7, 2015, now Pat. No. Des. 784,864.

(57) **CLAIM**

The ornamental design for a rear bumper, as shown and described.

(30) **Foreign Application Priority Data**

DESCRIPTION

Jan. 9, 2015	(EM)	002611020
Jun. 29, 2015	(EM)	002727644
Jul. 1, 2015	(EM)	002729723

FIG. 1 is a right, front perspective view of a vehicle showing my new design;

(51) **LOC (11) Cl.** **12-16**

FIG. 2 is a left, rear perspective view thereof;

(52) **U.S. Cl.**
USPC **D12/169**

FIG. 3 is a front view thereof.

(58) **Field of Classification Search**
USPC D12/169, 216, 90-92, 86, 171, 196, 163;
293/102, 113, 115, 117, 120; 296/180.1,
296/180.2

FIG. 4 is a rear view thereof.

FIG. 5 is a right side view thereof.

FIG. 6 is a left side view thereof; and,

FIG. 7 is a top view thereof.

1 Claim, 6 Drawing Sheets



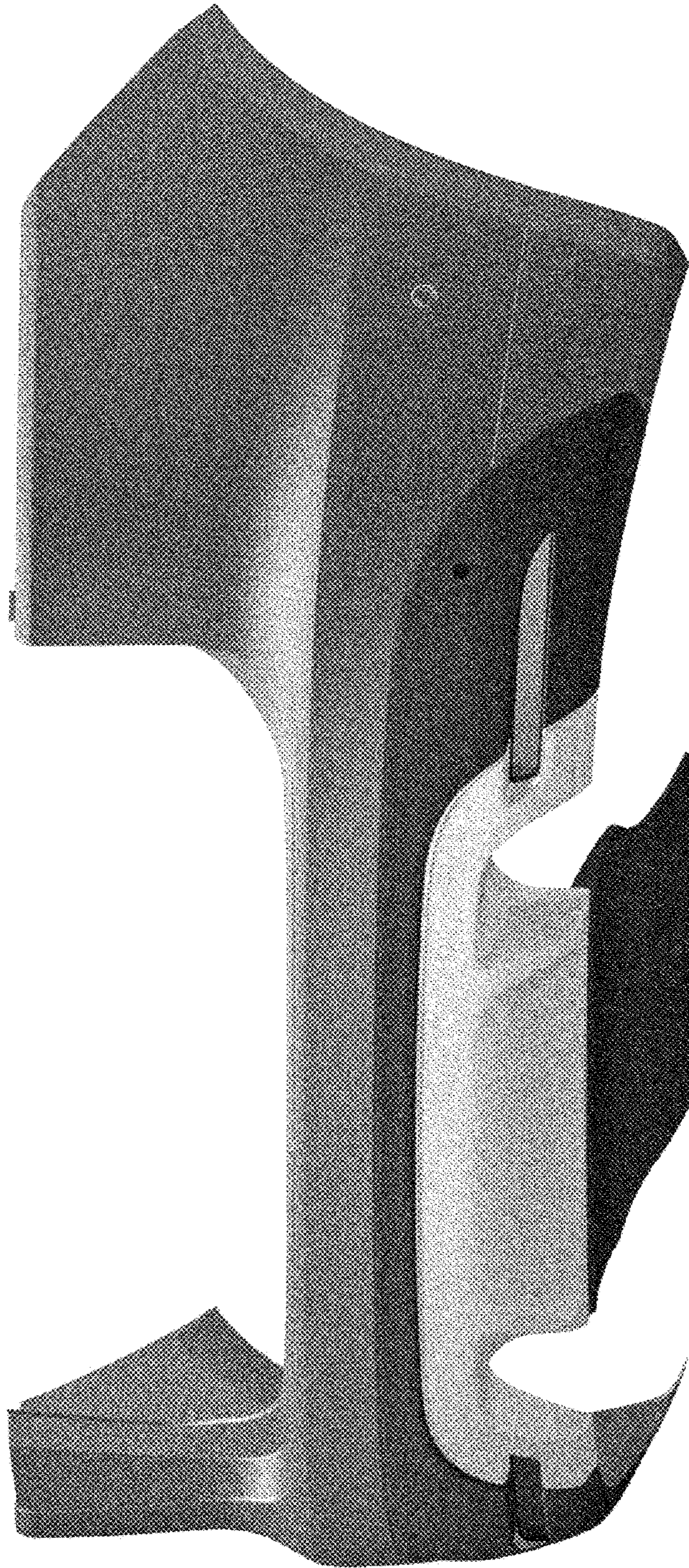


FIG. 1

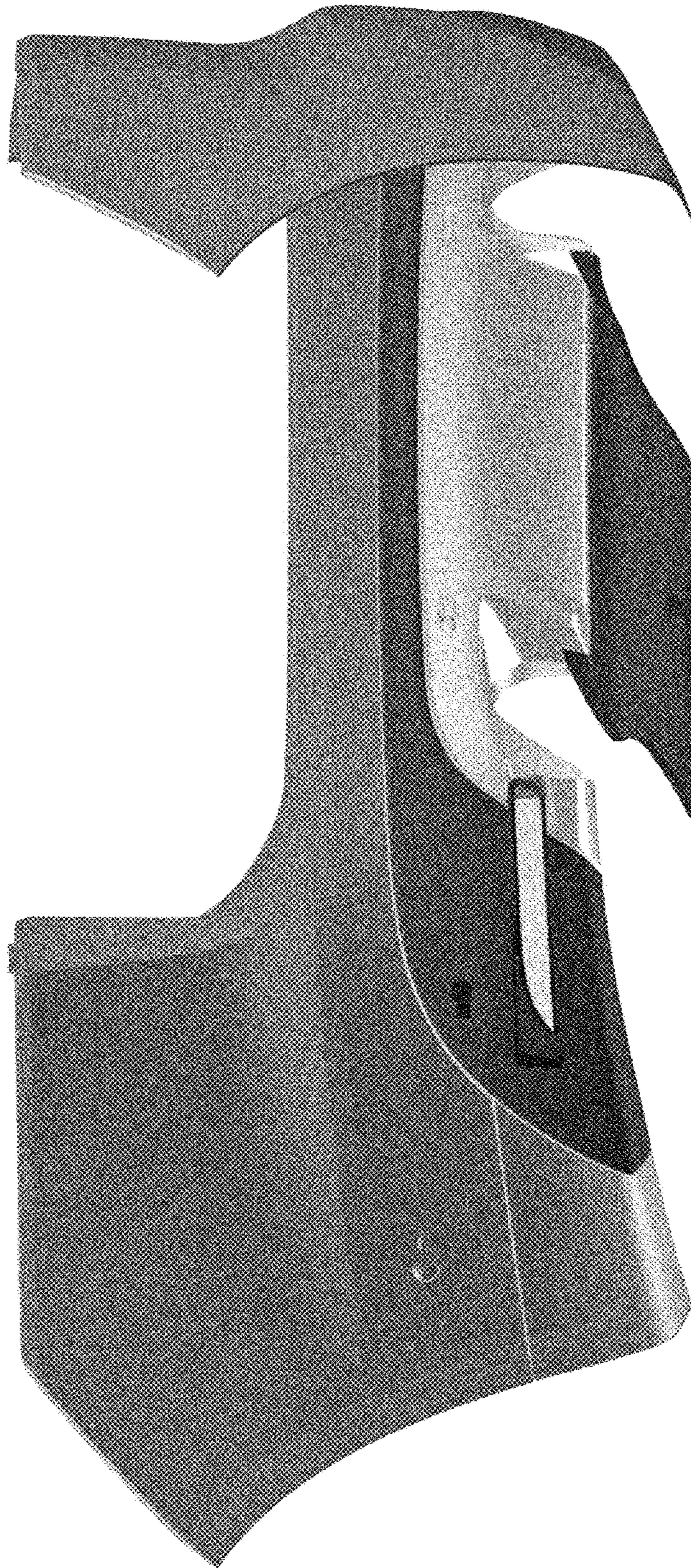


FIG. 2

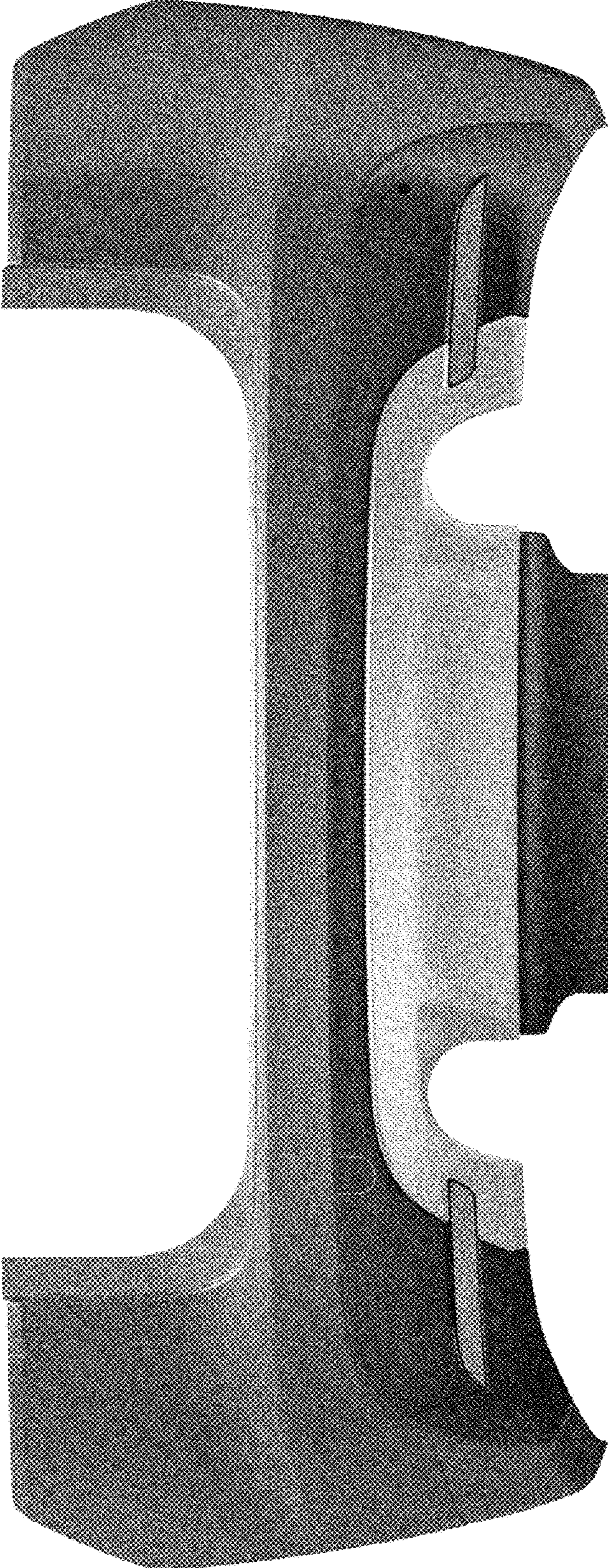


FIG. 3

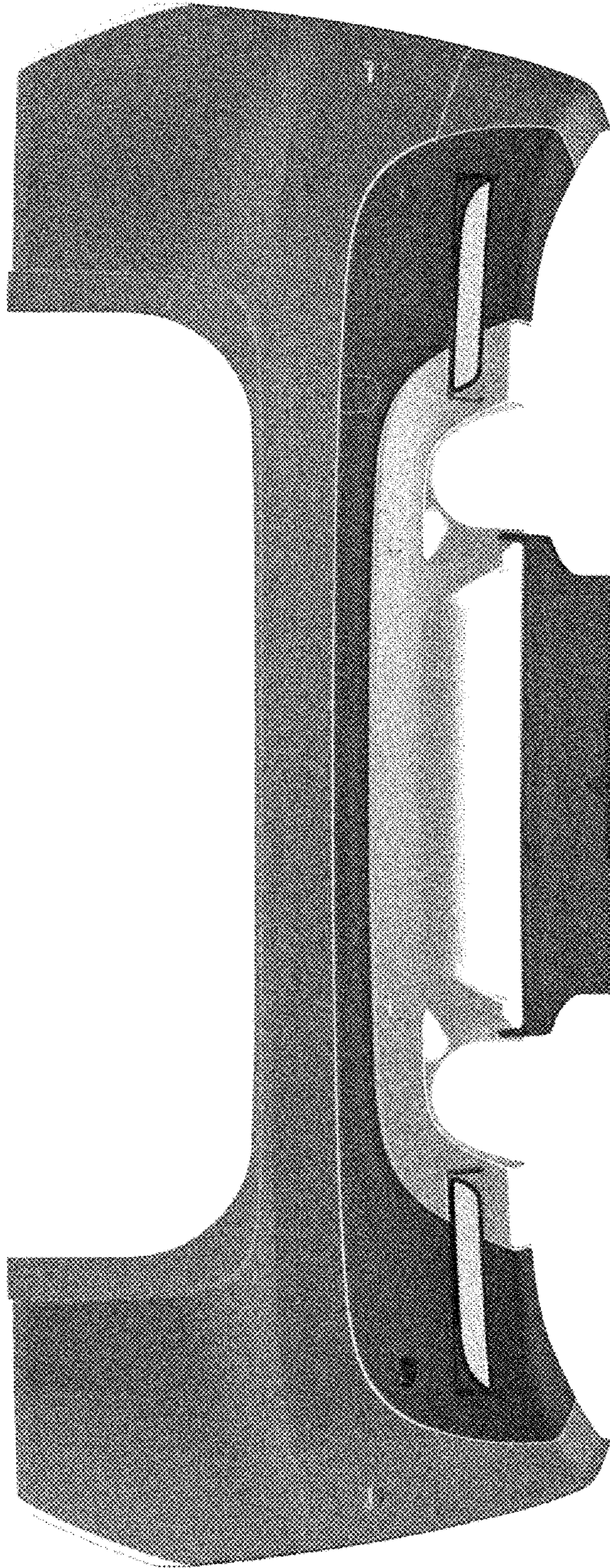


FIG. 4

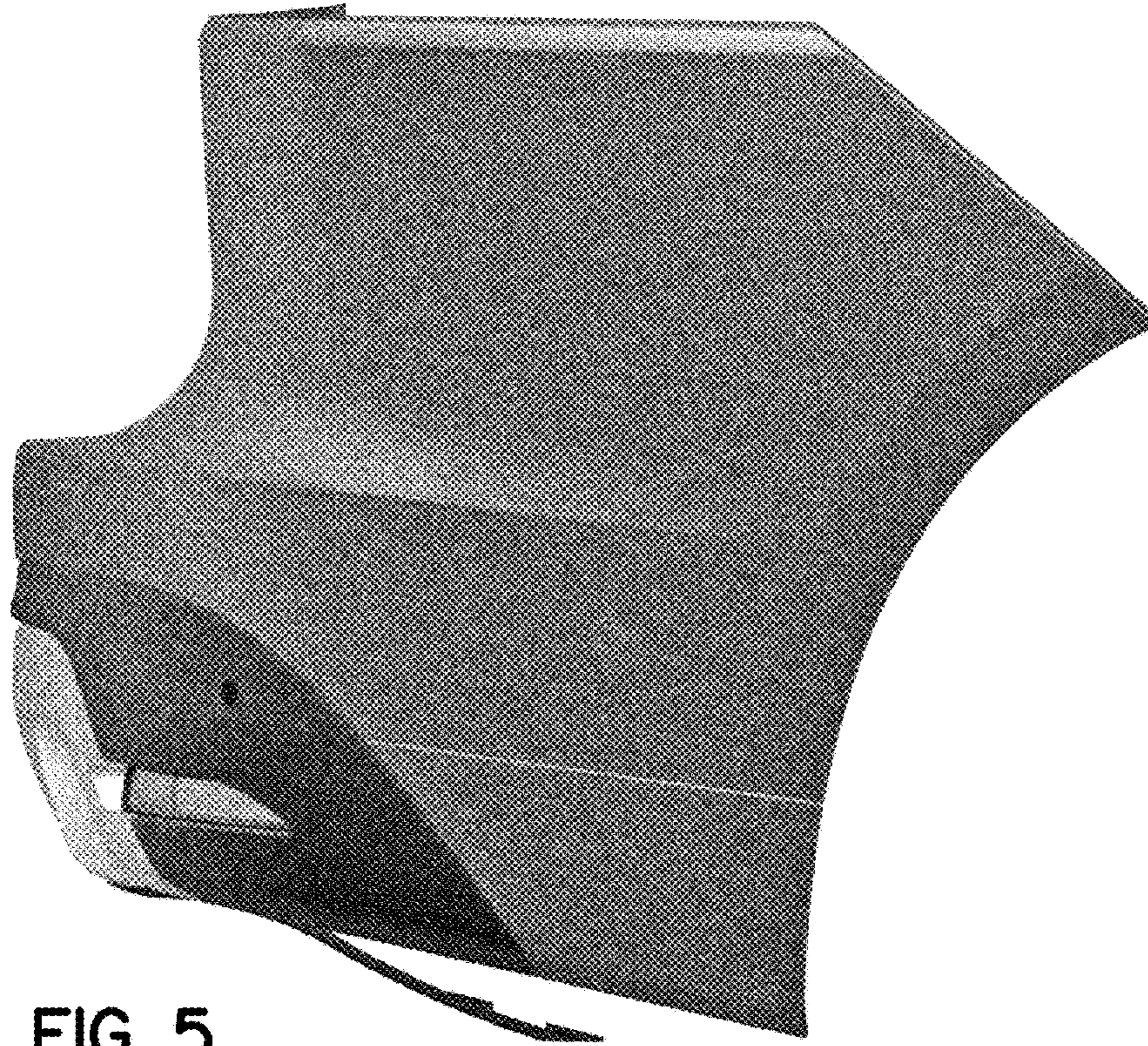


FIG. 5

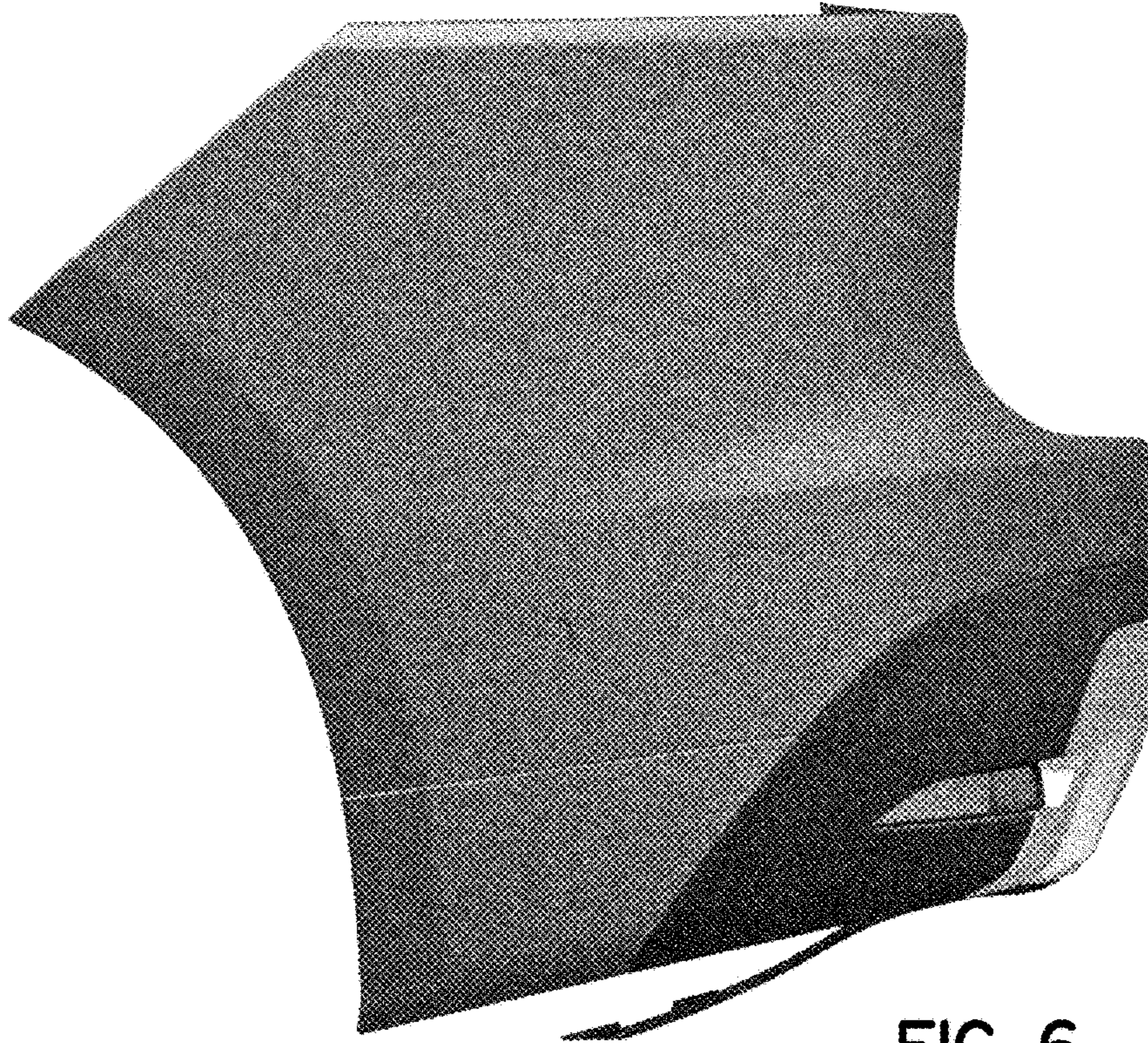


FIG. 6

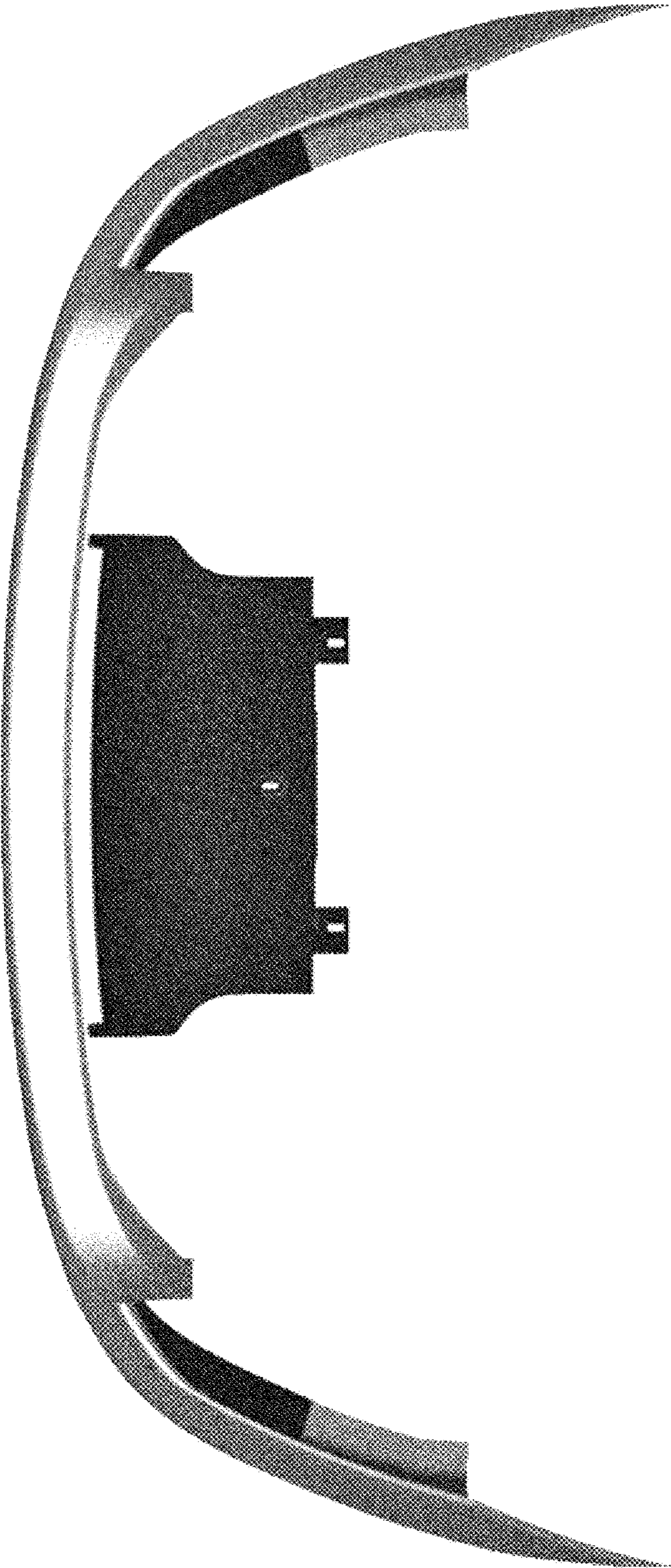


FIG. 7