



US00D833338S

(12) **United States Design Patent**
Clement et al.

(10) **Patent No.:** **US D833,338 S**

(45) **Date of Patent:** **** Nov. 13, 2018**

(54) **SUPPORT APPARATUS**

(71) Applicant: **Community Products, LLC**, Rifton,
NY (US)

(72) Inventors: **Gideon Clement**, Rifton, NY (US);
Seth Swinger, Rifton, NY (US); **Glen
Kleinsasser**, Rifton, NY (US)

(73) Assignee: **Community Products, LLC**, Rifton,
NY (US)

(**) Term: **15 Years**

(21) Appl. No.: **29/595,043**

(22) Filed: **Feb. 24, 2017**

Related U.S. Application Data

(63) Continuation of application No. 29/543,541, filed on
Oct. 26, 2015, now Pat. No. Des. 780,075.

(51) **LOC (11) Cl.** **12-12**

(52) **U.S. Cl.**
USPC **D12/133**

(58) **Field of Classification Search**
USPC D12/128–133
CPC A61H 3/00; A61H 3/04; A61H
2003/001–2003/007; A61H 2003/043;
A61H 2003/046

See application file for complete search history.

(56) **References Cited**

U.S. PATENT DOCUMENTS

4,662,361 A	5/1987	Patterson	
D296,364 S	6/1988	Nippoldt	
D298,569 S	11/1988	Nippoldt	
D298,570 S	11/1988	Nippoldt	
5,054,137 A	10/1991	Christensen	
D362,911 S	10/1995	Helms	
D433,968 S *	11/2000	Mascari D12/131

D439,869 S *	4/2001	Kjell D12/128
6,312,000 B1 *	11/2001	Pauls A61G 5/043 180/907
D455,376 S *	4/2002	Lindenkamp D12/131

(Continued)

OTHER PUBLICATIONS

European Community Design Registration No. 002484568-0001,
registered on Jun. 17, 2014.

(Continued)

Primary Examiner — Charles D Hanson

(74) *Attorney, Agent, or Firm* — Economou Silfin LLP

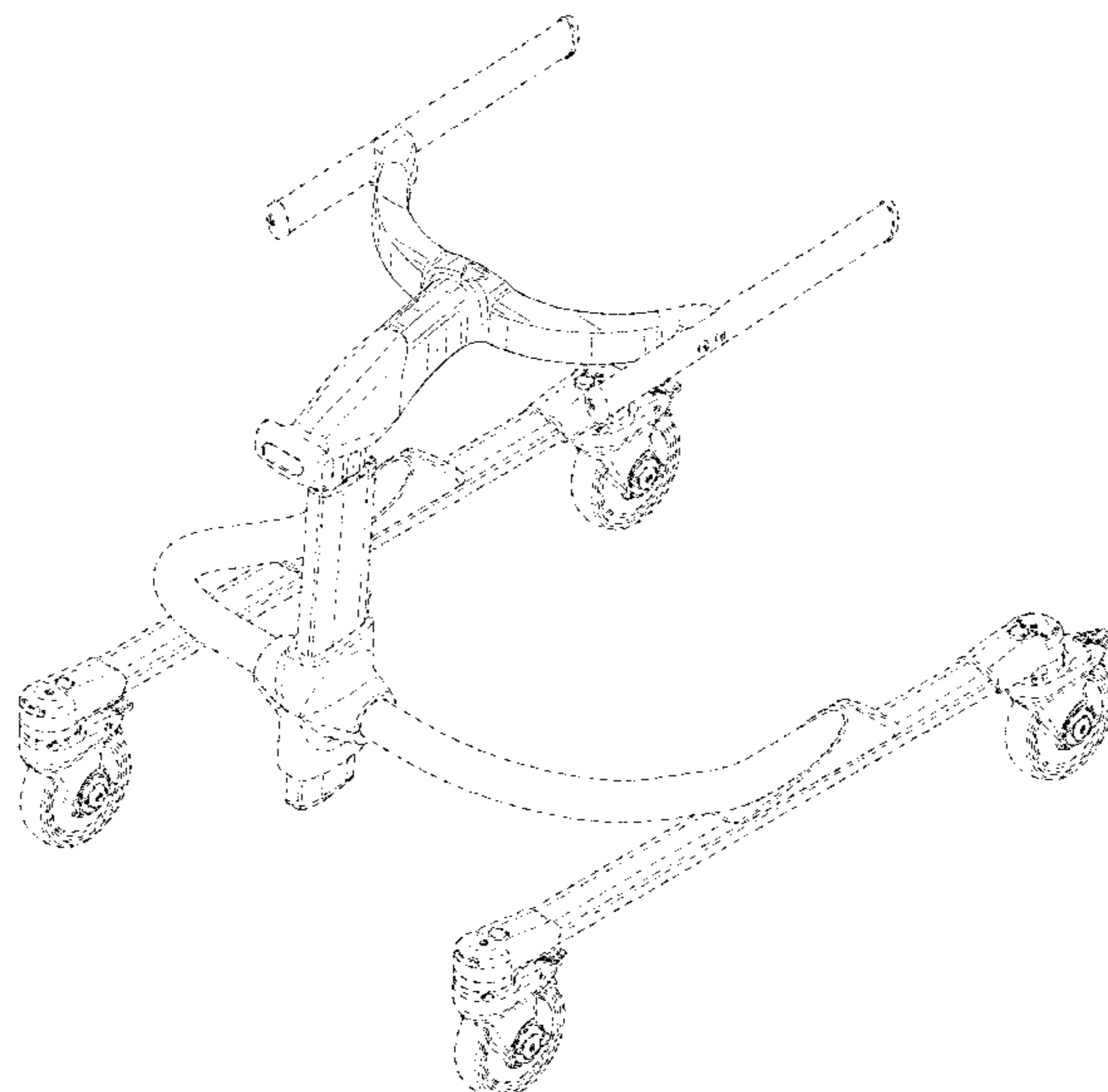
(57) **CLAIM**

The ornamental design for a support apparatus, as shown
and described.

DESCRIPTION

FIG. 1 is a perspective view of an exemplary embodiment of
a support apparatus showing our new design;
FIG. 2 is a front view of the support apparatus of FIG. 1;
FIG. 3 is a rear view of the support apparatus of FIG. 1;
FIG. 4 is a left side view of the support apparatus of FIG. 1;
FIG. 5 is a right side view of the support apparatus of FIG.
1;
FIG. 6 is a top plan view of the support apparatus of FIG. 1;
FIG. 7 is a bottom plan view of the support apparatus of FIG.
1;
FIG. 8 is a perspective view of another exemplary embodi-
ment of a support apparatus showing our new design; and,
FIG. 9 is a perspective view of another exemplary embodi-
ment of a support apparatus showing our new design.
All features illustrated as phantom (broken) lines are
expressly disclaimed and form no part of the claimed design.

1 Claim, 9 Drawing Sheets



(56)

References Cited

U.S. PATENT DOCUMENTS

D494,110	S	8/2004	Cheng	
D496,463	S	9/2004	Hunt	
D589,623	S	3/2009	Olliges	
D598,816	S	8/2009	Ahlbertz	
D627,270	S	11/2010	Kretschmer	
D627,271	S *	11/2010	Knopf	D12/131
D642,963	S *	8/2011	Greiner	D12/131
D677,606	S	3/2013	Akre	
D699,160	S	2/2014	Yang	
D699,161	S *	2/2014	Yang	D12/131
D751,468	S *	3/2016	Stryker	D12/131
2004/0222611	A1	11/2004	Fenwick	
2005/0065675	A1	3/2005	Georgi	
2007/0169267	A1	7/2007	Paz	
2012/0132213	A1	5/2012	Kakko	

OTHER PUBLICATIONS

European Community Design Registration No. 002484568-0002,
registered on Jun. 17, 2014.

* cited by examiner

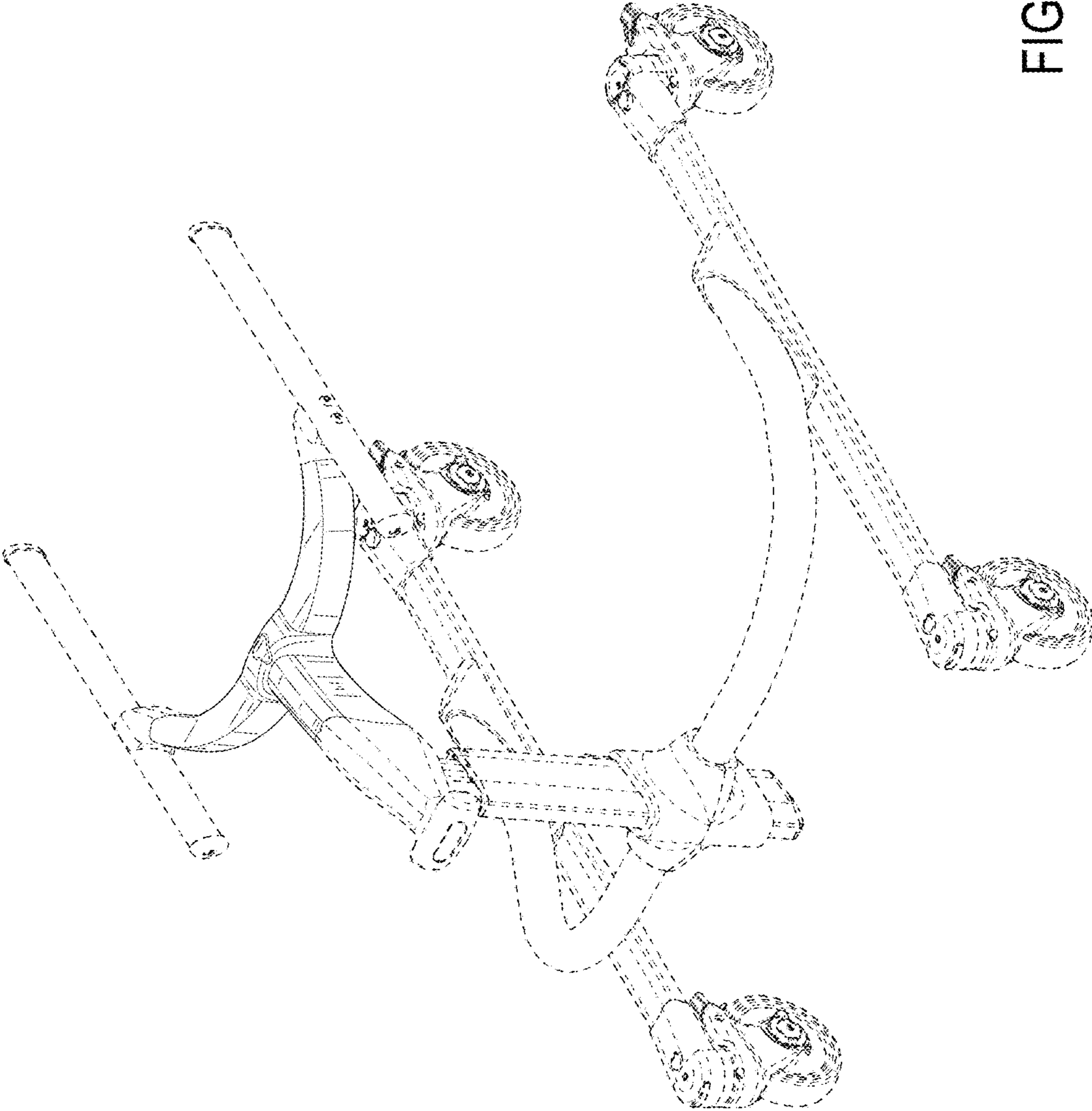


FIG. 1

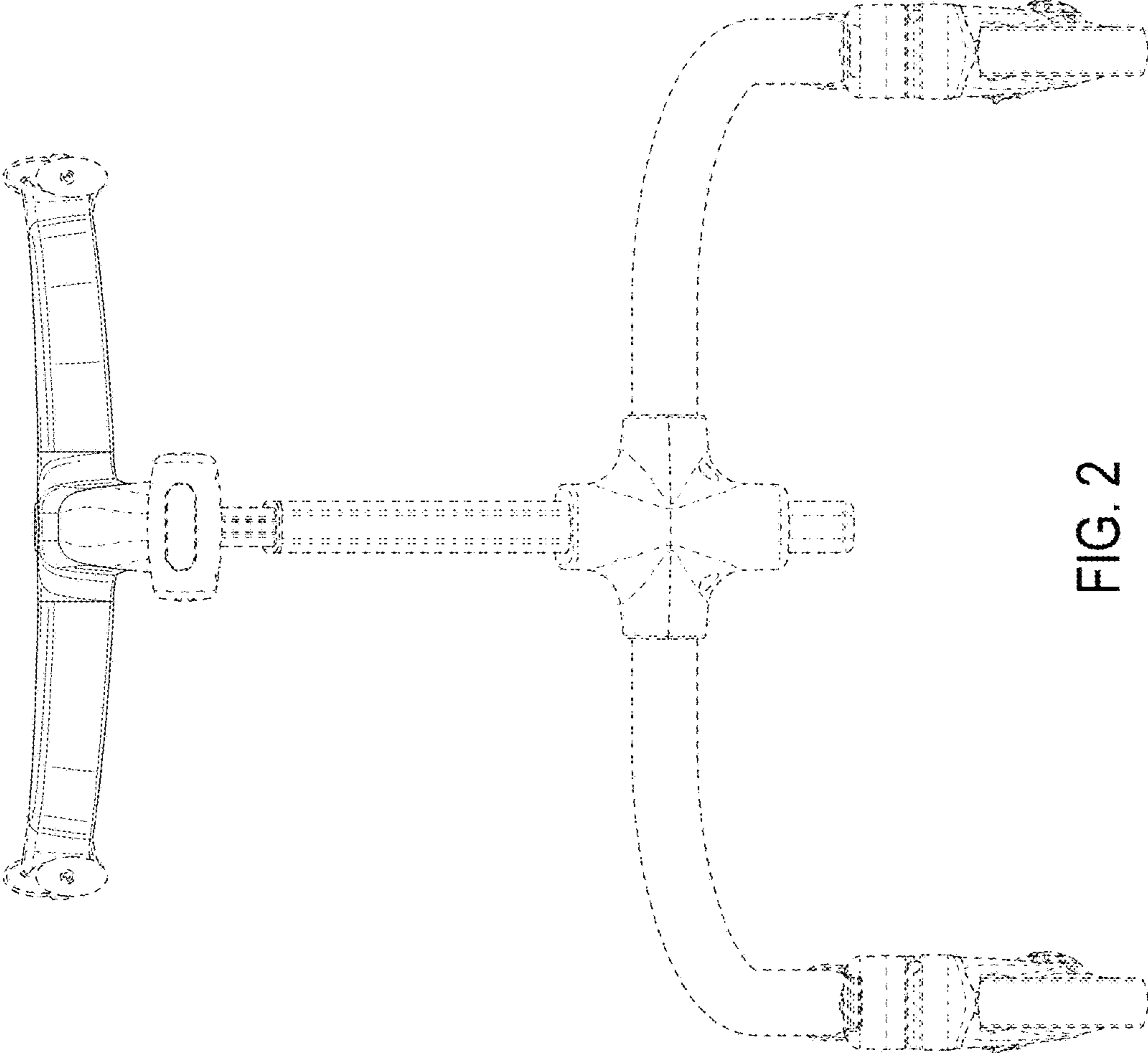


FIG. 2

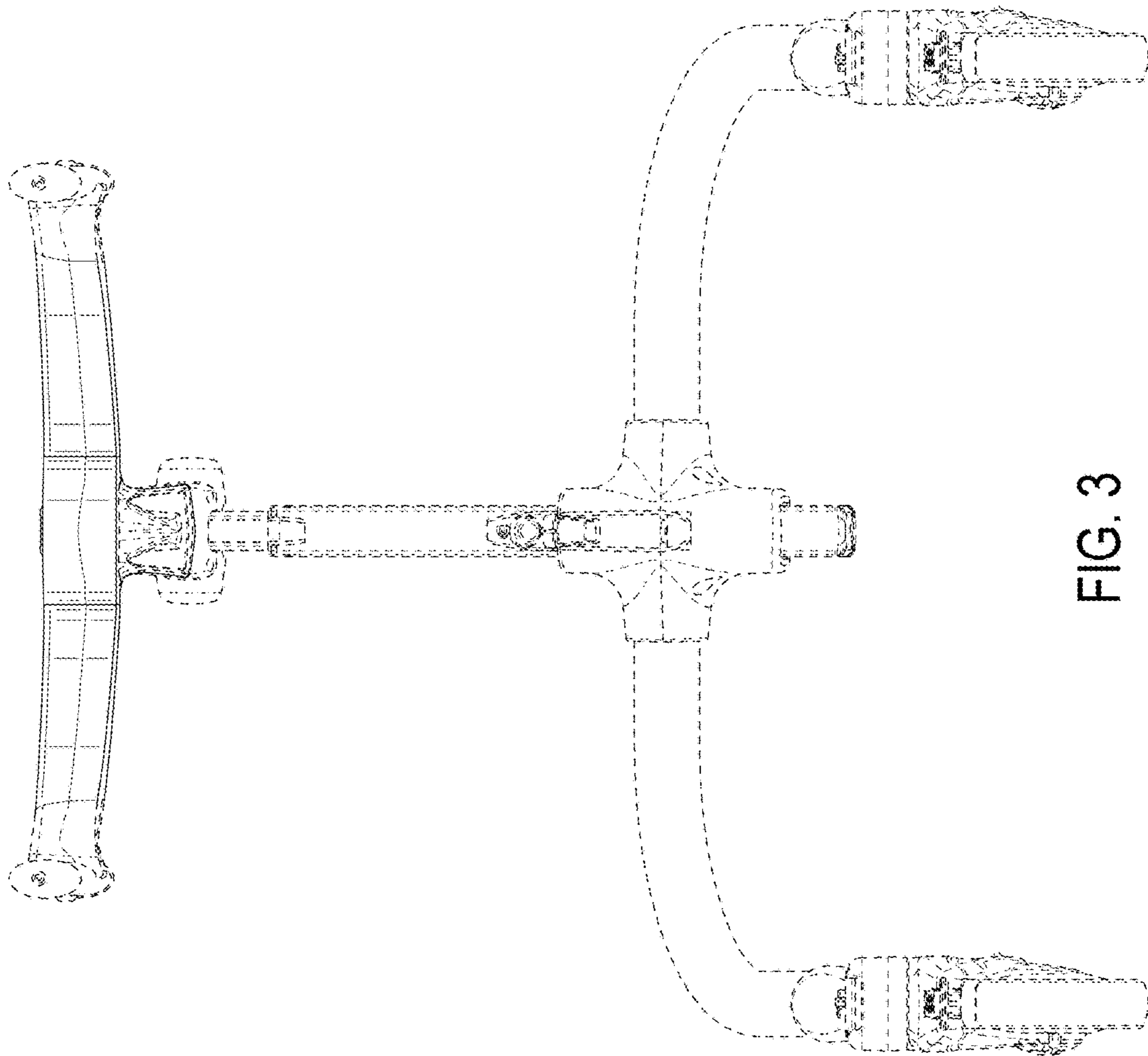


FIG. 3

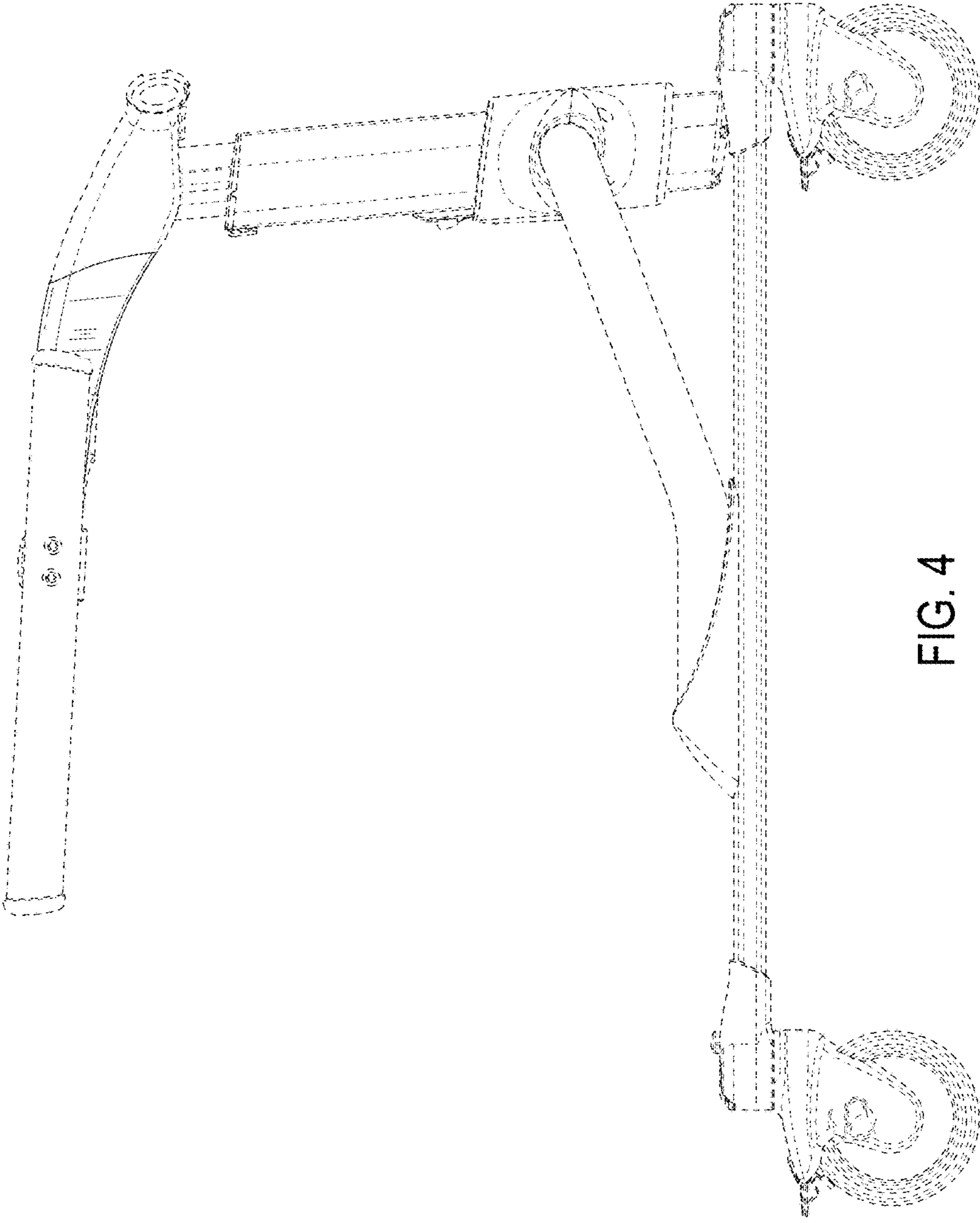


FIG. 4

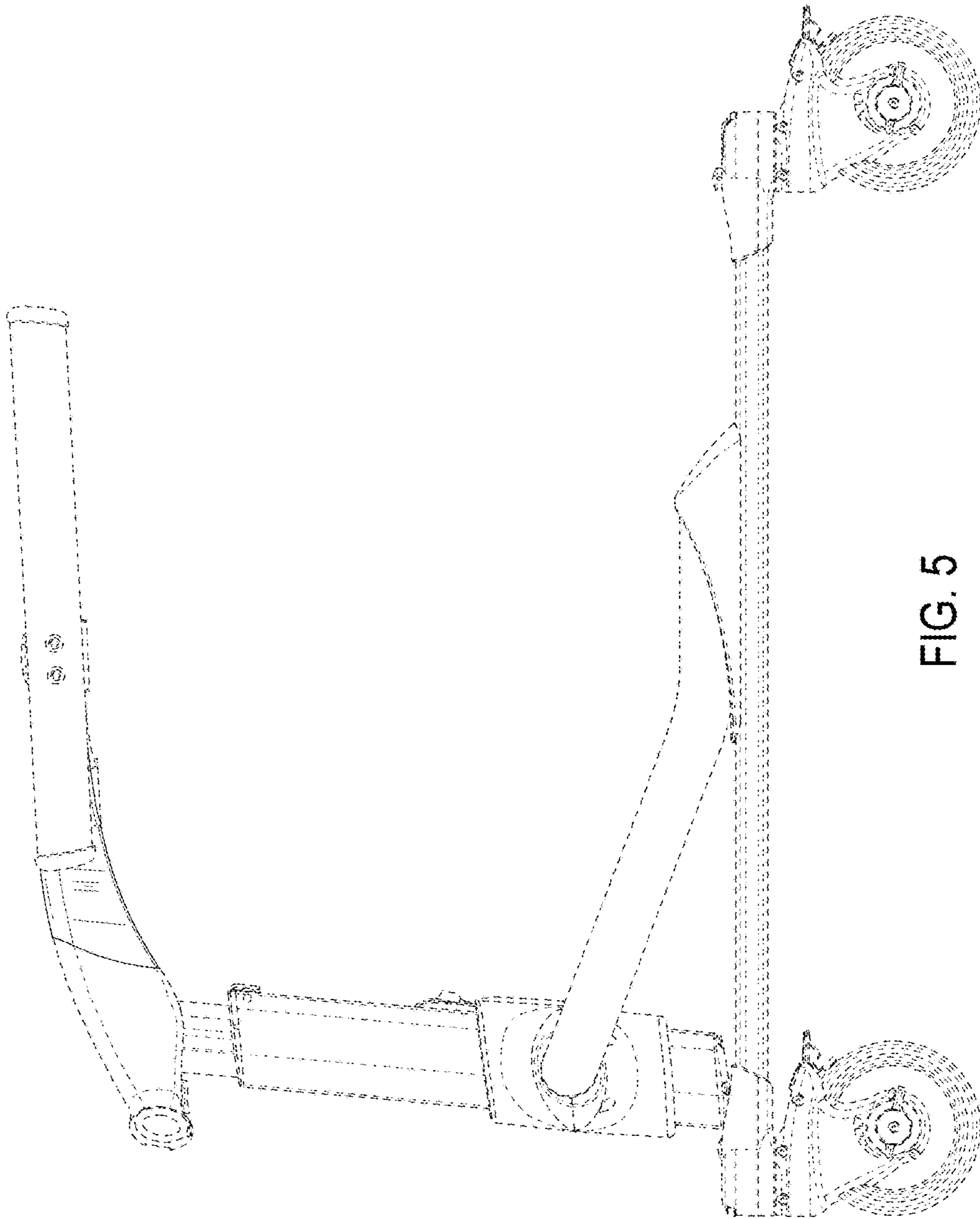


FIG. 5

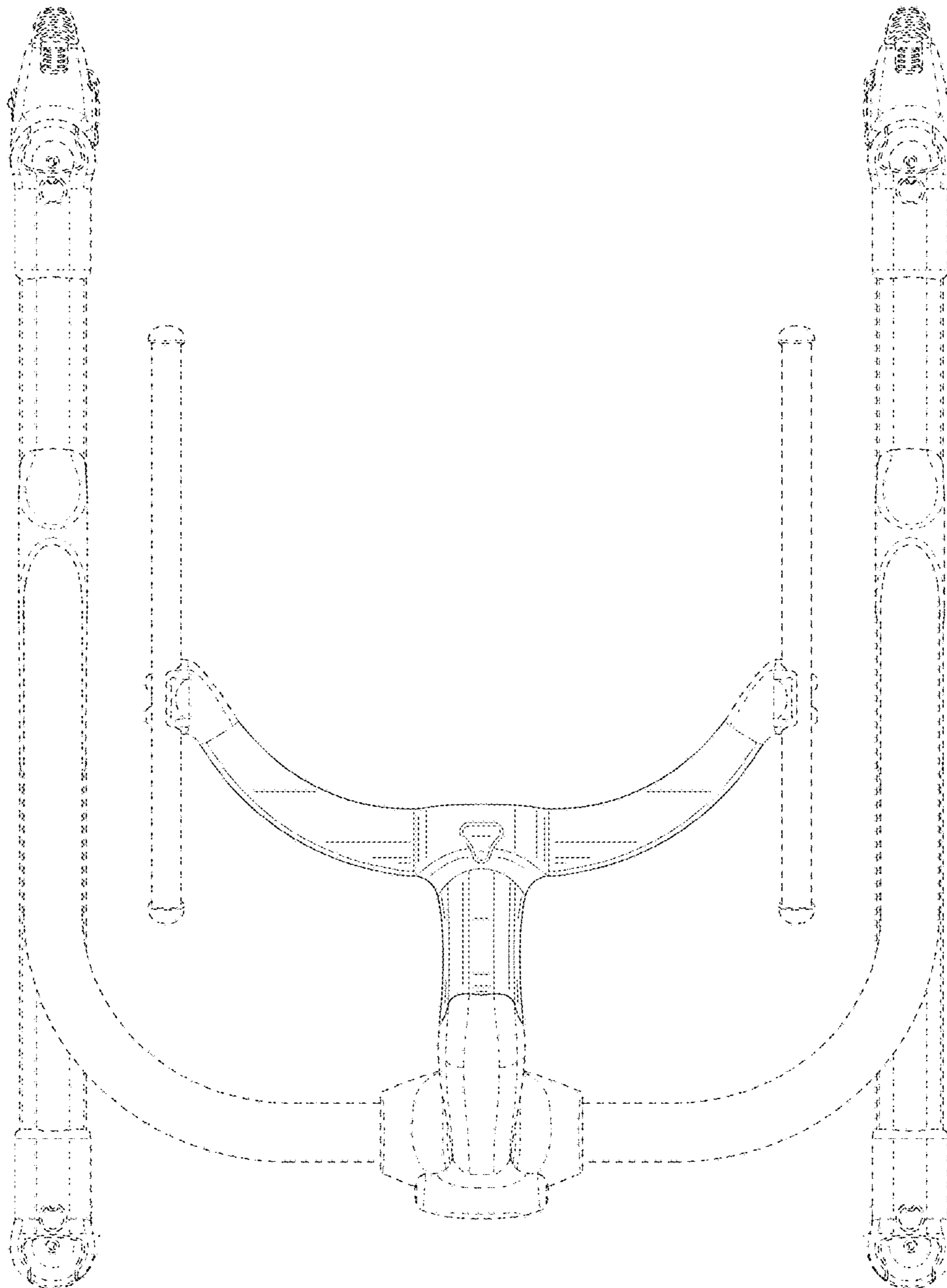


FIG. 6

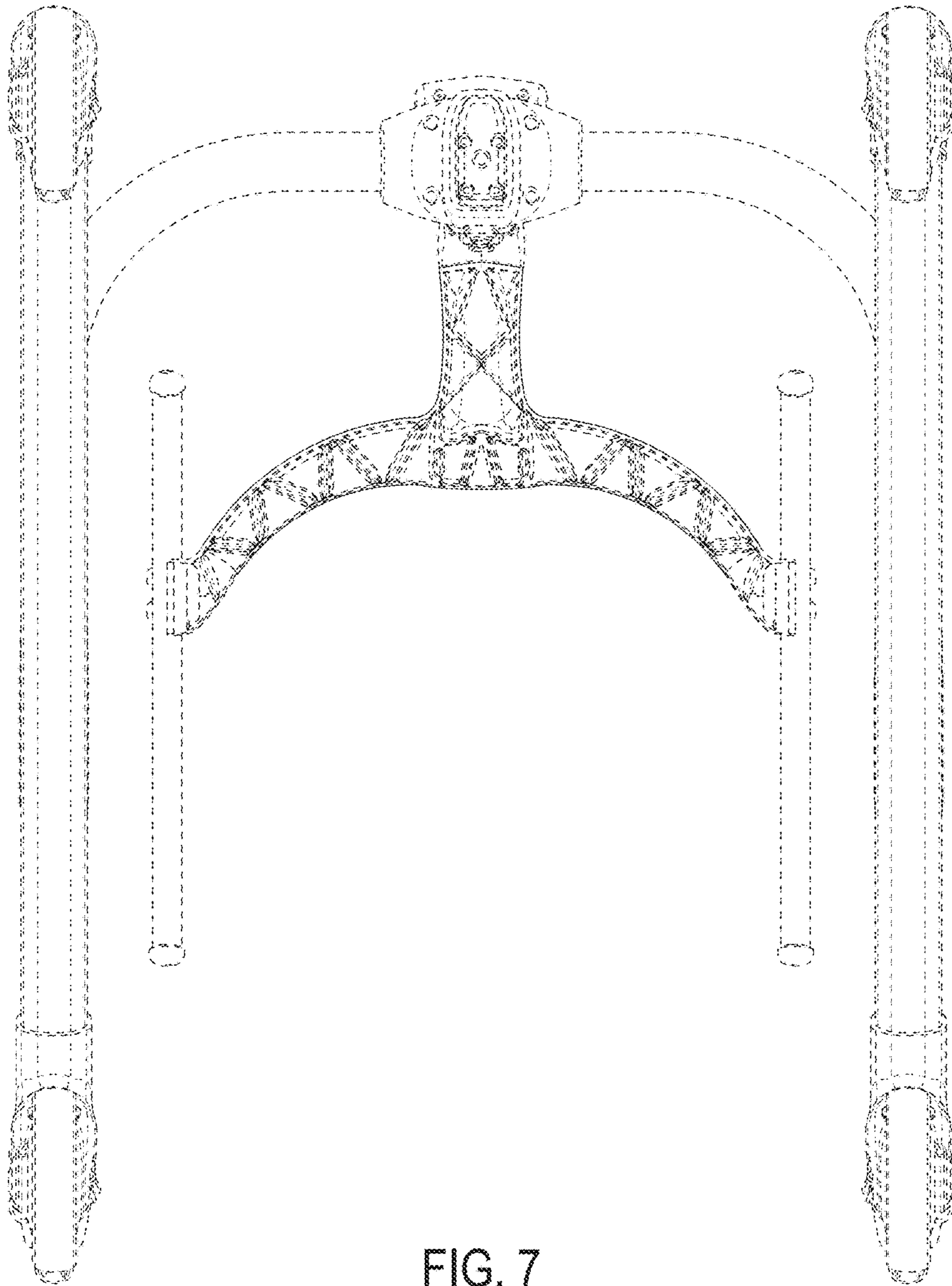


FIG. 7

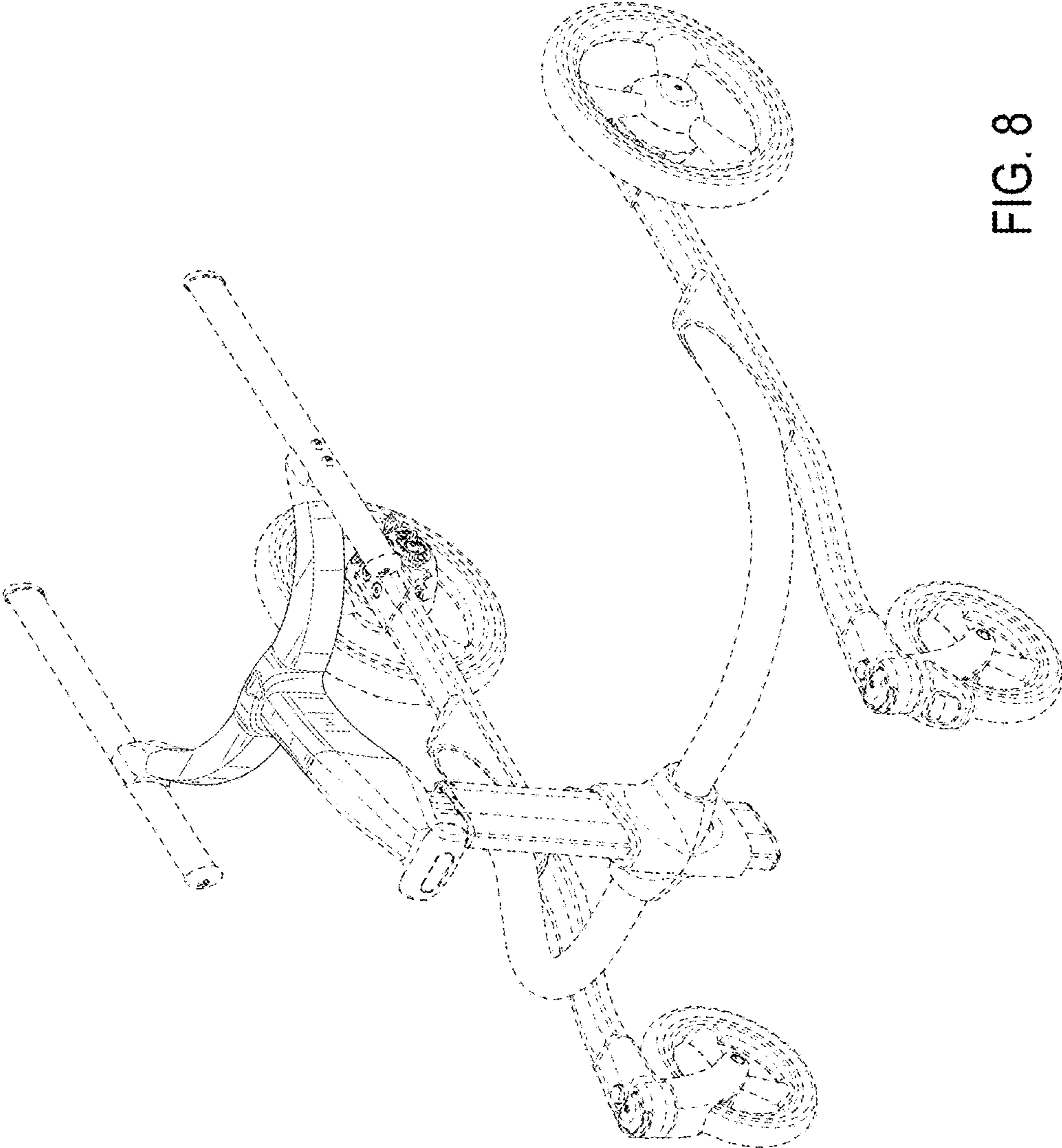


FIG. 8

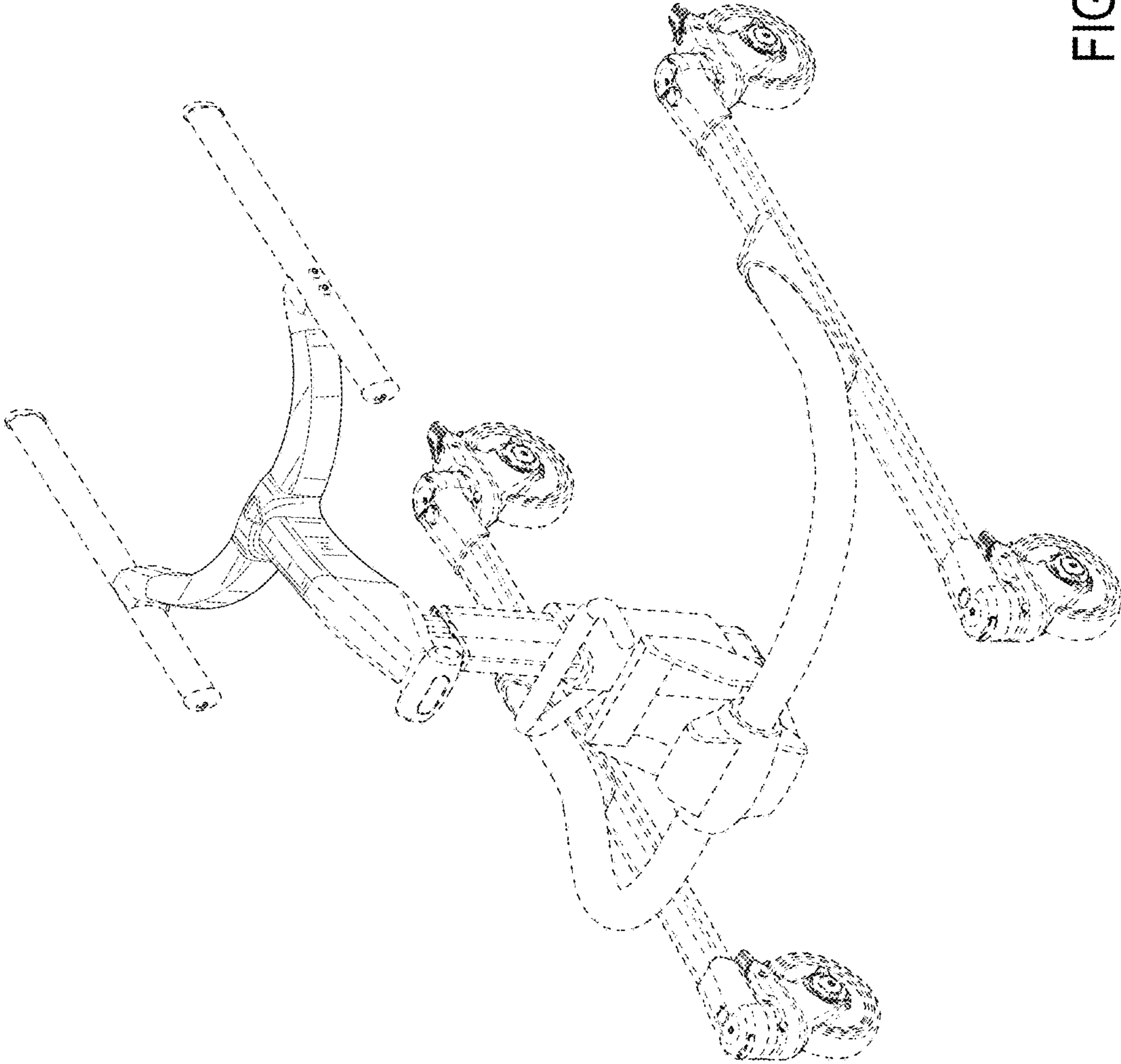


FIG. 9