



US00D833337S

(12) **United States Design Patent** (10) **Patent No.:** **US D833,337 S**
McGarry (45) **Date of Patent:** **** Nov. 13, 2018**

(54) **MOTORCYCLE BRAKE DISC GUARD ASSEMBLY**

(71) Applicant: **T.M. Designworks, LLC**, Phoenix, OR (US)

(72) Inventor: **Timothy McGarry**, Phoenix, OR (US)

(73) Assignee: **T.M. Designworks, LLC**, Phoenix, OR (US)

(**) Term: **15 Years**

(21) Appl. No.: **29/573,646**

(22) Filed: **Aug. 8, 2016**

(51) **LOC (11) Cl.** **12-11**

(52) **U.S. Cl.**
USPC **D12/126**

(58) **Field of Classification Search**
USPC D12/114, 126, 127, 180
CPC F16D 65/005; F16D 65/0081
See application file for complete search history.

(56) **References Cited**

U.S. PATENT DOCUMENTS

D65,500 S *	8/1924	Schmale	D7/402
D443,238 S *	6/2001	Carlson	D12/179
D592,108 S *	5/2009	McGarry	D12/126
D592,559 S *	5/2009	McGarry	D12/126
D604,150 S *	11/2009	Lee	D12/114
D613,591 S *	4/2010	Lee	D12/114
D619,936 S *	7/2010	Paluszkiewicz	D12/114
D621,417 S *	8/2010	McGarry	D12/126
D727,800 S *	4/2015	Bodah	D12/114
9,903,427 B1 *	2/2018	McGarry	F16D 65/0081
2018/0038429 A1 *	2/2018	McGarry	F16D 65/0081

OTHER PUBLICATIONS

www.TMdesignworks.com: Rear Plastic Disc Guard & Alloy Bracket for EE/MSR/Moose/KTM Alloy Shark Fins. Undated, 2 pages.

Found online Jul. 24, 2018 at https://tmdesignworks.com/index.php?main_page=product_info&cPath=202&products_id=1216 (Year: 2018).*

“Shark Fin Rear Rotor Guard for KTM (3-14) & 9-13 Husaberg,” TM Designworks Website, Available Online at http://tmdesignworks.com/index.php?main_page=product_info&cPath=246_274&products_id=567, Mar. 28, 2010, 2 pages.

* cited by examiner

Primary Examiner — Robert M. Spear

(74) *Attorney, Agent, or Firm* — Alleman Hall Creasman & Tuttle LLP

(57) **CLAIM**

The ornamental design for a motorcycle brake disc guard assembly, as shown and described.

DESCRIPTION

FIG. 1 is a rear perspective view of a design for a motorcycle brake disc guard assembly according to the present invention.

FIG. 2 is a right side view of the motorcycle brake disc guard assembly of FIG. 1.

FIG. 3 is a left side view of the motorcycle brake disc guard assembly of FIG. 1.

FIG. 4 is a rear view of the motorcycle brake disc guard assembly of FIG. 1.

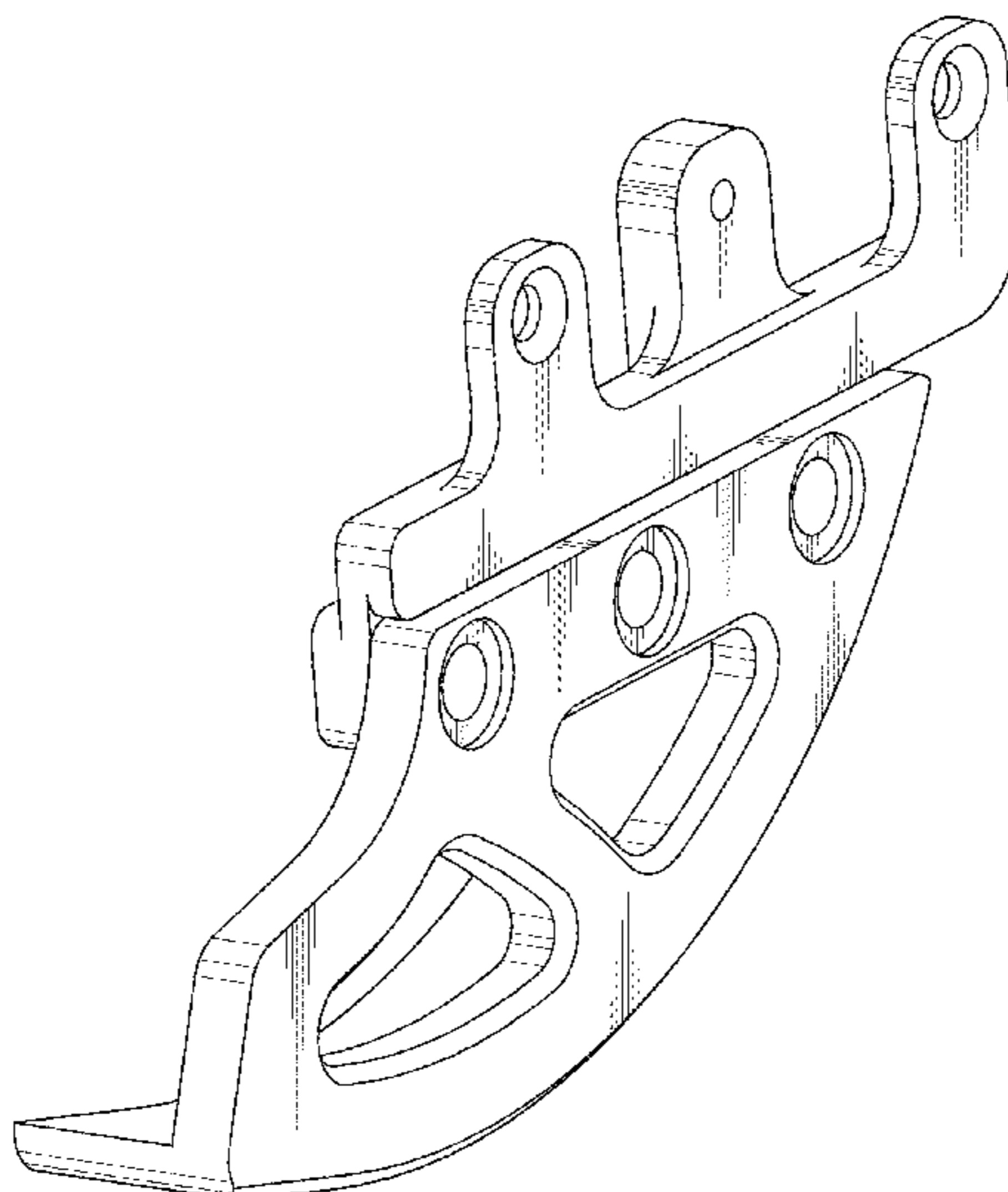
FIG. 5 is a front view of the motorcycle brake disc guard assembly of FIG. 1.

FIG. 6 is a top view of the motorcycle brake disc guard assembly of FIG. 1; and,

FIG. 7 is a bottom view of the motorcycle brake disc guard assembly of FIG. 1.

The broken lines in the drawings depict environment and form no part of the claim.

1 Claim, 4 Drawing Sheets



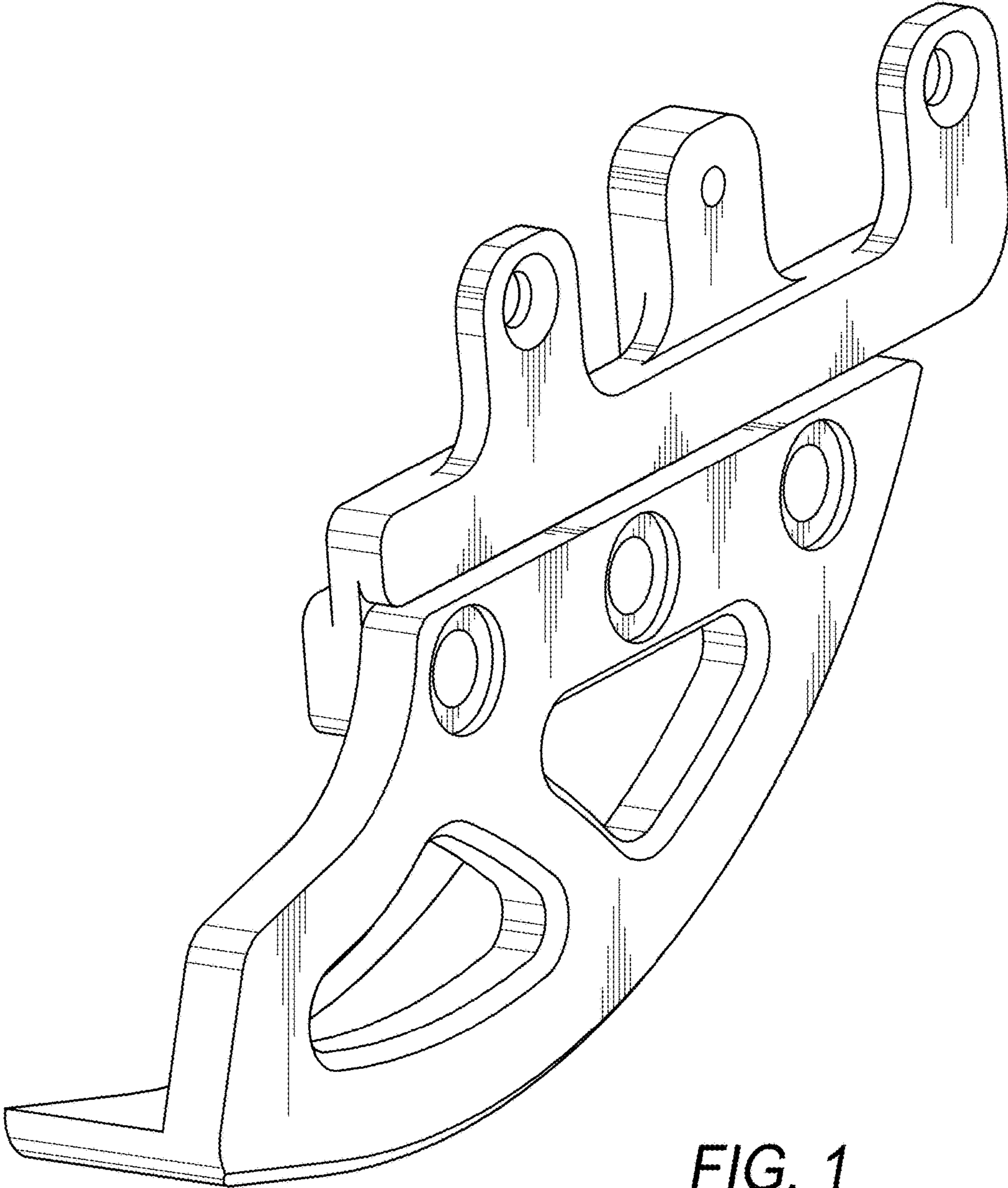


FIG. 1

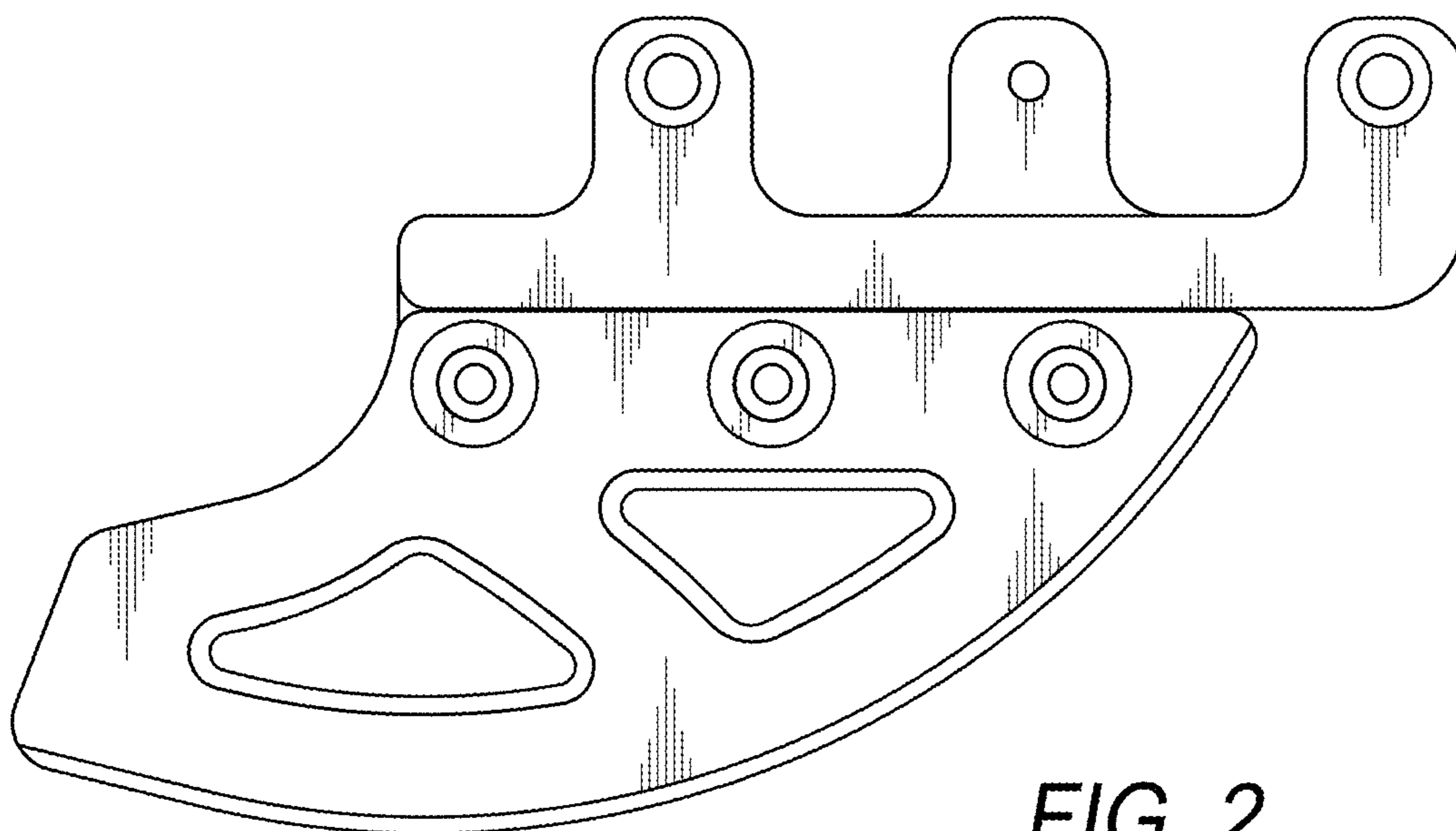


FIG. 2

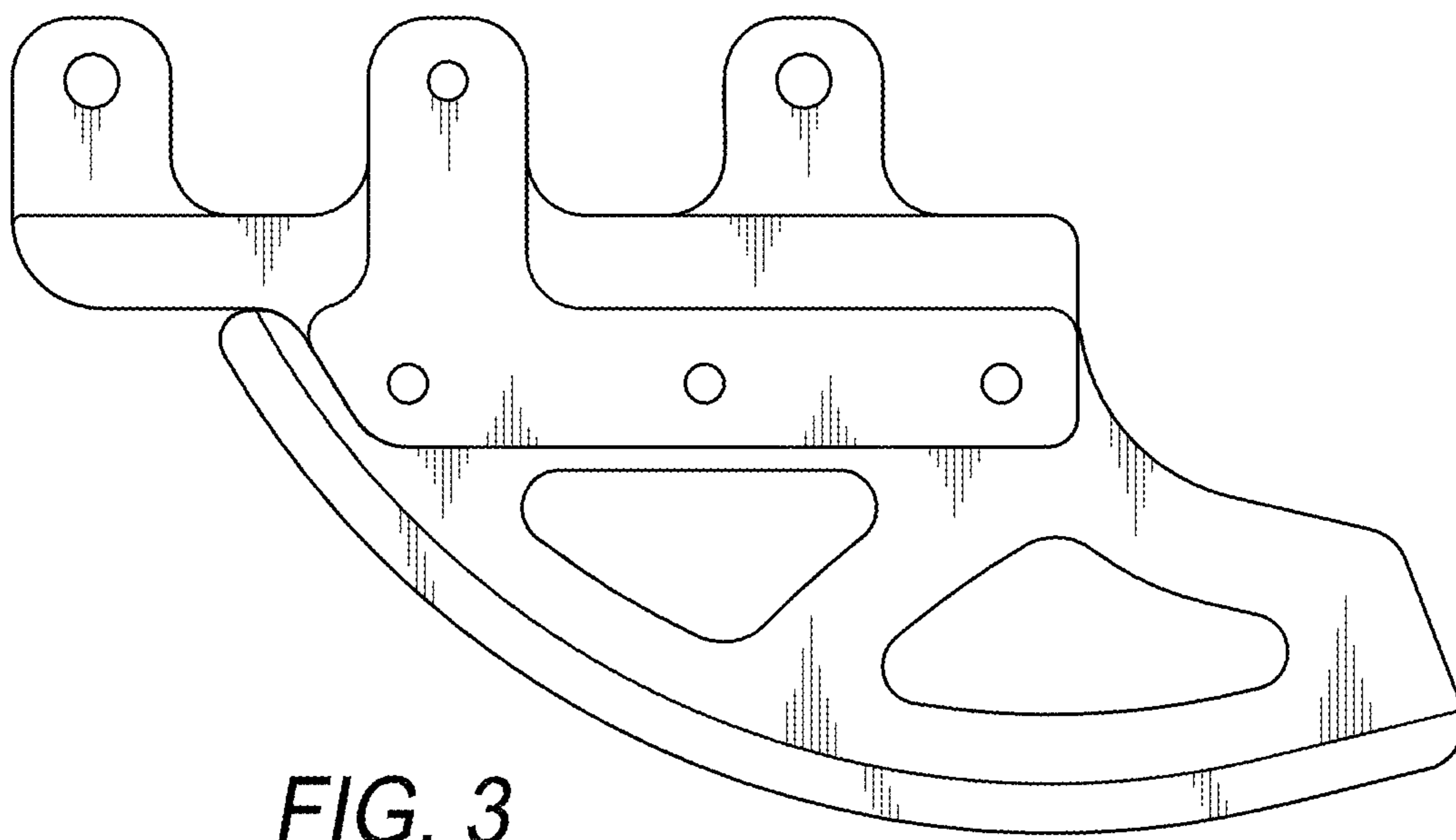


FIG. 3

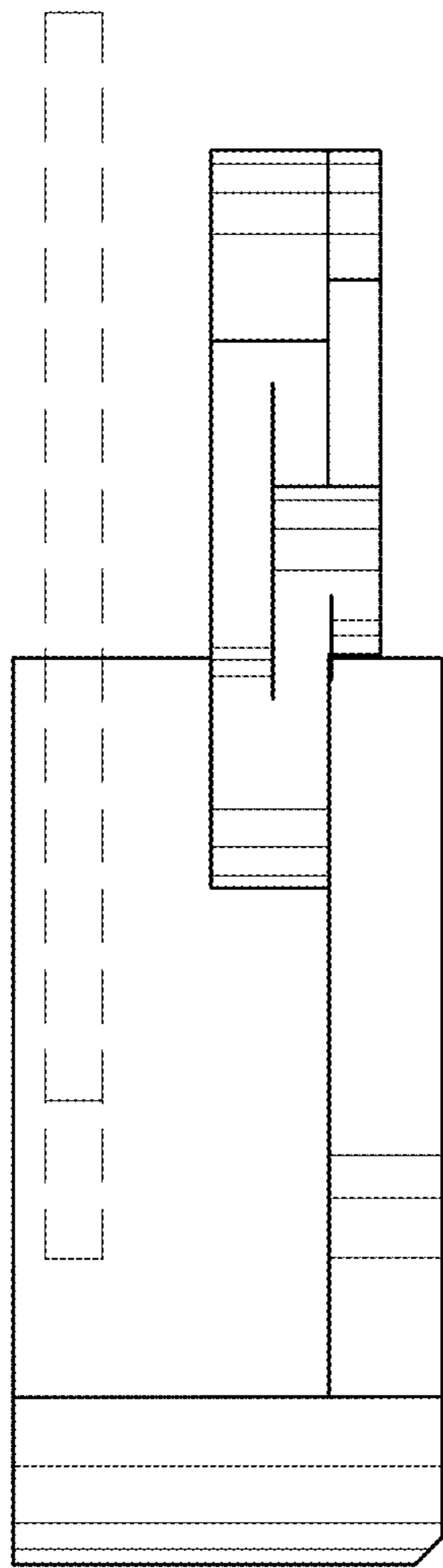


FIG. 4

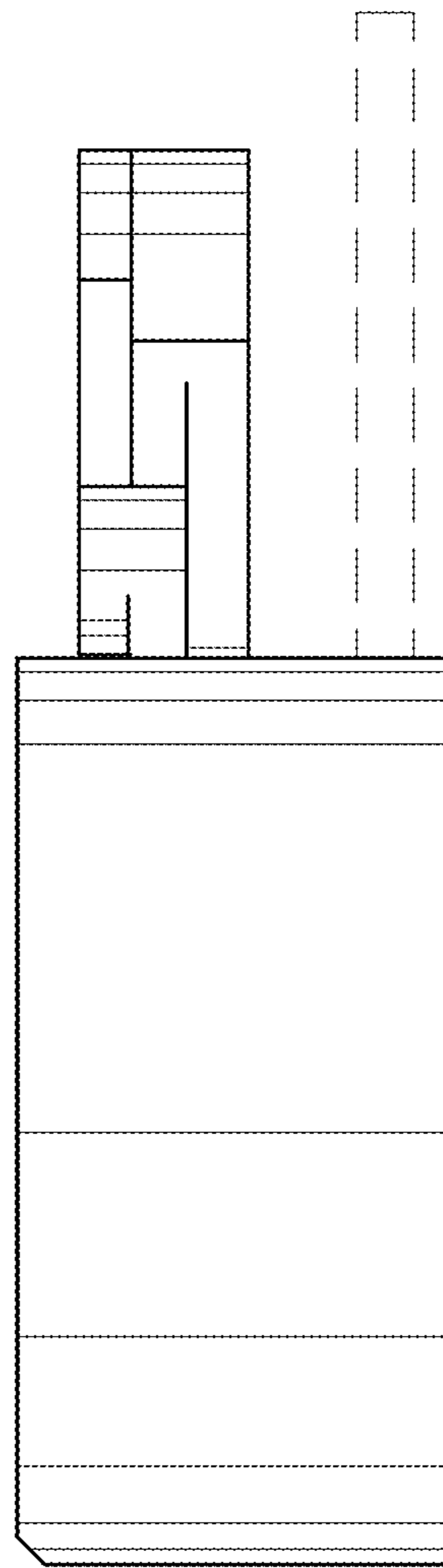


FIG. 5

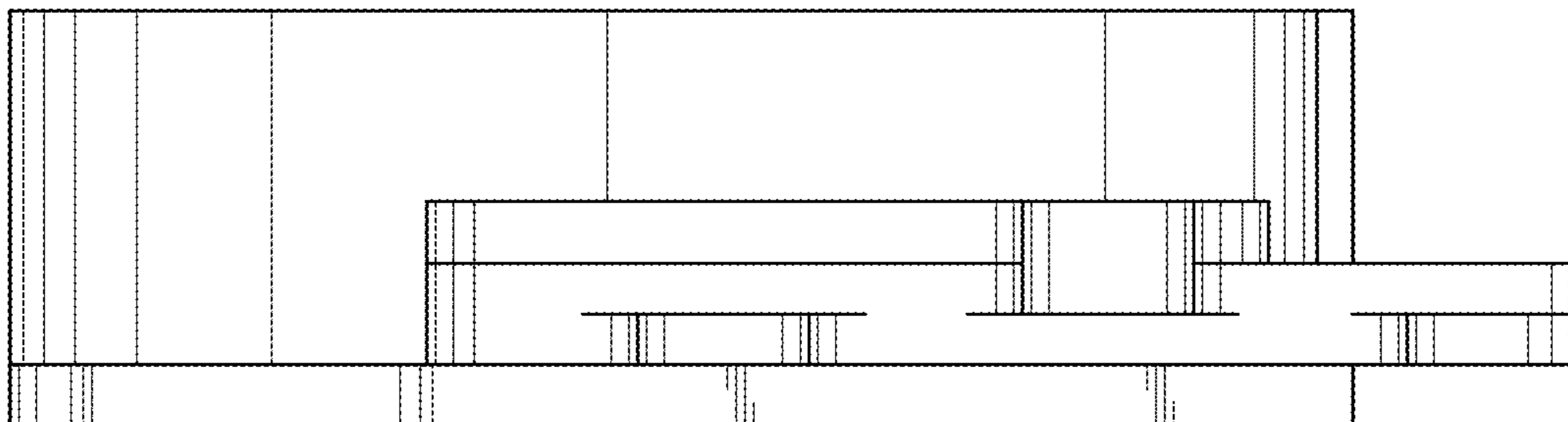


FIG. 6

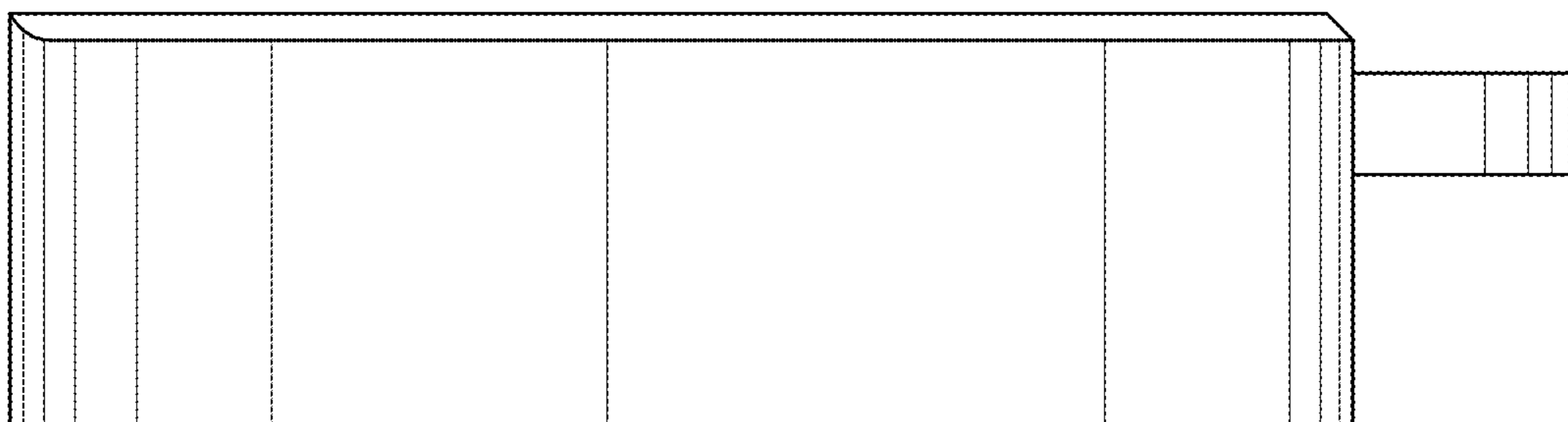


FIG. 7