



US00D833336S

(12) **United States Design Patent** (10) **Patent No.:** **US D833,336 S**
McFarland (45) **Date of Patent:** **** Nov. 13, 2018**

(54) **FOOTREST FOR A CONVERTIBLE BICYCLE**

(71) Applicant: **Strider Sports International, Inc.**,
Rapid City, SD (US)

(72) Inventor: **Ryan McFarland**, Rapid City, SD (US)

(73) Assignee: **Strider Sports International, Inc.**,
Rapid City, SD (US)

(**) Term: **15 Years**

(21) Appl. No.: **29/613,535**

(22) Filed: **Aug. 10, 2017**

Related U.S. Application Data

(63) Continuation of application No. 15/605,694, filed on
May 25, 2017.

(51) **LOC (11) Cl.** **12-11**

(52) **U.S. Cl.**
USPC **D12/114**

(58) **Field of Classification Search**
USPC D12/114, 113, 111, 115, 117, 125, 126,
D12/133, 203; D6/715, 716.6, 353;
D15/28

CPC A47C 16/025; A47C 31/126; B60N 3/063;
B62J 25/00; B62J 1/167; B62J 1/16
See application file for complete search history.

(56) **References Cited**

U.S. PATENT DOCUMENTS

640,756 A 1/1900 Douglas
3,945,667 A 3/1976 Cipres
D283,413 S * 4/1986 Preisler D12/114
D347,809 S * 6/1994 Choi D12/108
D367,968 S * 3/1996 Hatcher D6/349
5,577,806 A * 11/1996 Ugalde A47C 16/025
108/5
D408,336 S * 4/1999 Brotherston D12/133

D416,831 S * 11/1999 Negri D12/114
D484,074 S * 12/2003 Henneberry D12/114
D484,516 S * 12/2003 McCord D15/28
D519,886 S * 5/2006 Colano D12/114
D522,929 S * 6/2006 Freund, Jr. D12/114
D536,290 S * 2/2007 Yeh D12/203

(Continued)

OTHER PUBLICATIONS

International Search Report and Written Opinion dated Sep. 18,
2017 for PCT/US2017/034774.

Primary Examiner — George D. Kirschbaum

Assistant Examiner — Clese Moore, Jr.

(74) *Attorney, Agent, or Firm* — Suiter Swantz pc llo

(57) **CLAIM**

The design for a footrest for a convertible bicycle, as shown
and described.

DESCRIPTION

FIG. 1 is a perspective view of a footrest for a convertible
bicycle.

FIG. 2 is a side view of the footrest for a convertible bicycle.

FIG. 3 is a top view of the footrest for a convertible bicycle.

FIG. 4 is a bottom view of the footrest for a convertible
bicycle.

FIG. 5 is a front view of the footrest for a convertible
bicycle.

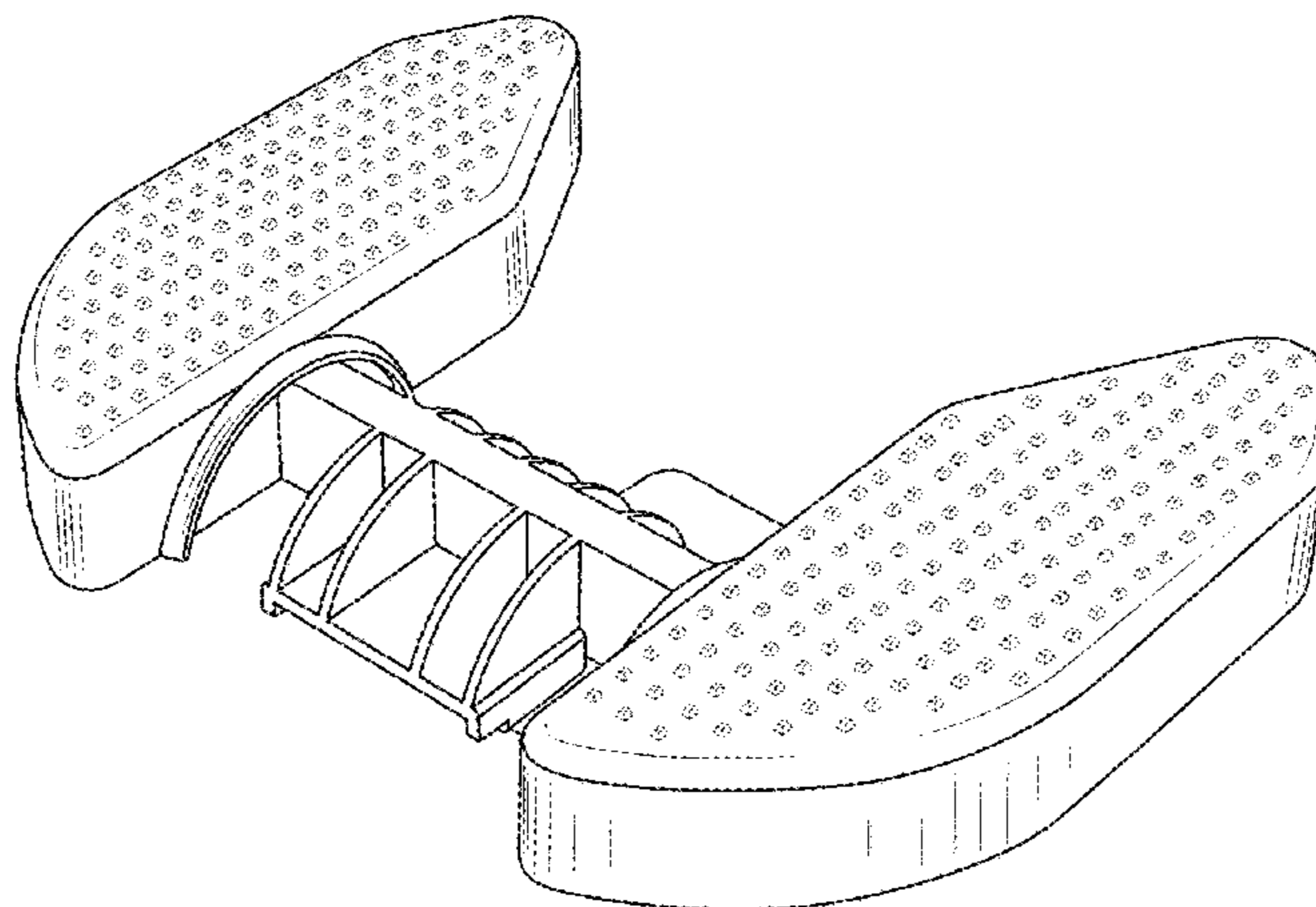
FIG. 6 is a rear view of the footrest for a convertible bicycle.

FIG. 7 is a perspective view of the footrest for a convertible
bicycle attached to a convertible bicycle; and,

FIG. 8 is a bottom perspective view of the footrest for a
convertible bicycle attached to a convertible bicycle.

The broken lines shown illustrate portions of the footrest for
a convertible bicycle that form no part of the claimed design.

1 Claim, 8 Drawing Sheets



(56)

References Cited

U.S. PATENT DOCUMENTS

D562,736 S * 2/2008 Johnson D12/114
D599,452 S * 9/2009 Israel D23/335
D602,817 S * 10/2009 Kamalian D12/114
7,798,513 B1 9/2010 Salvant
D648,576 S * 11/2011 McGeeney D6/360
D653,174 S * 1/2012 Parvey D12/114
D662,862 S * 7/2012 Schutz D12/114
D743,725 S * 11/2015 Lee D6/715
D767,291 S * 9/2016 Edwards A47C 16/025
D6/353
D787,846 S * 5/2017 Naik D6/353
9,744,894 B2 * 8/2017 Carlioz B60N 3/063
2008/0315553 A1 12/2008 Girout et al.
2012/0000735 A1 1/2012 Iwai et al.

* cited by examiner

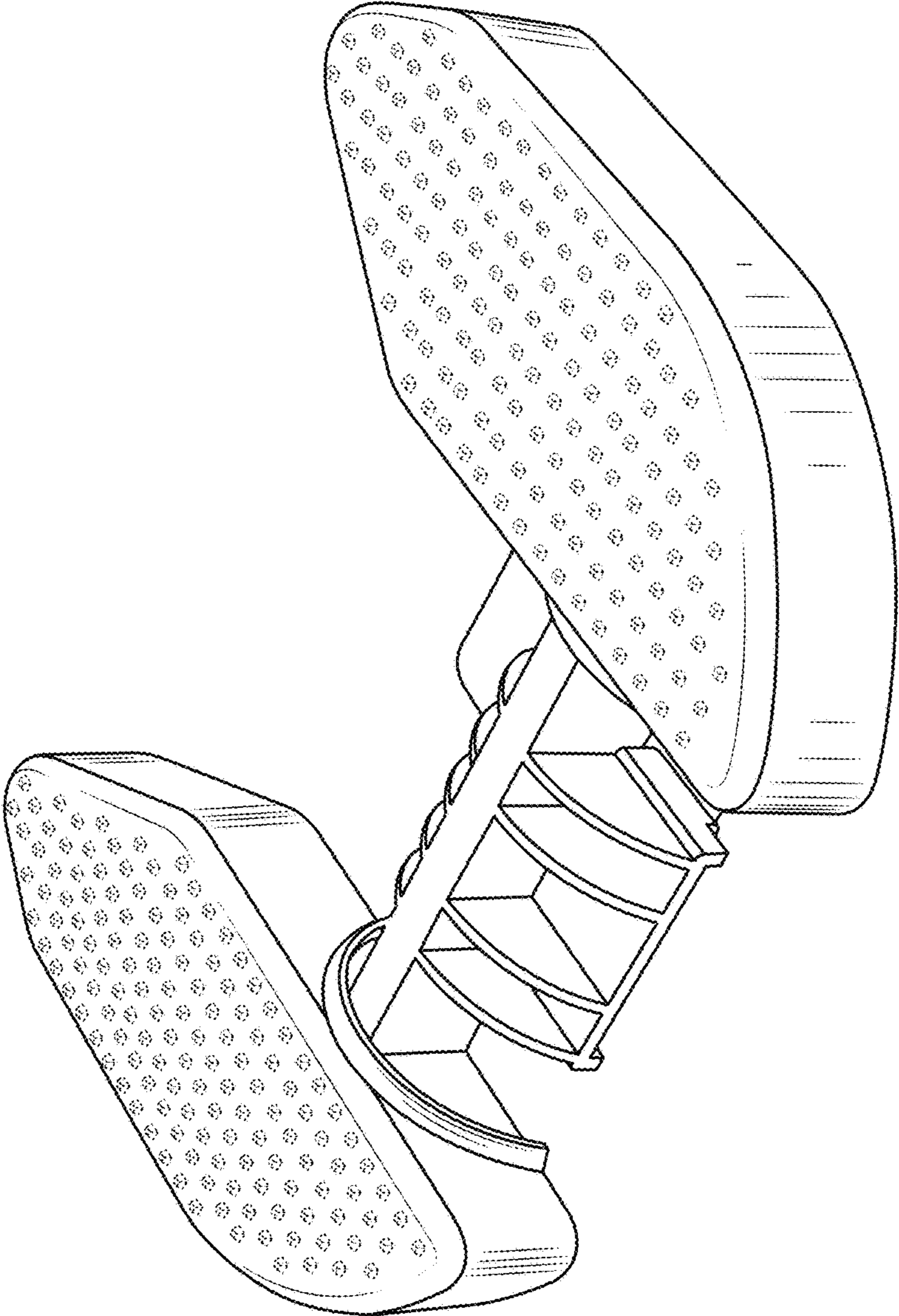


FIG. 1

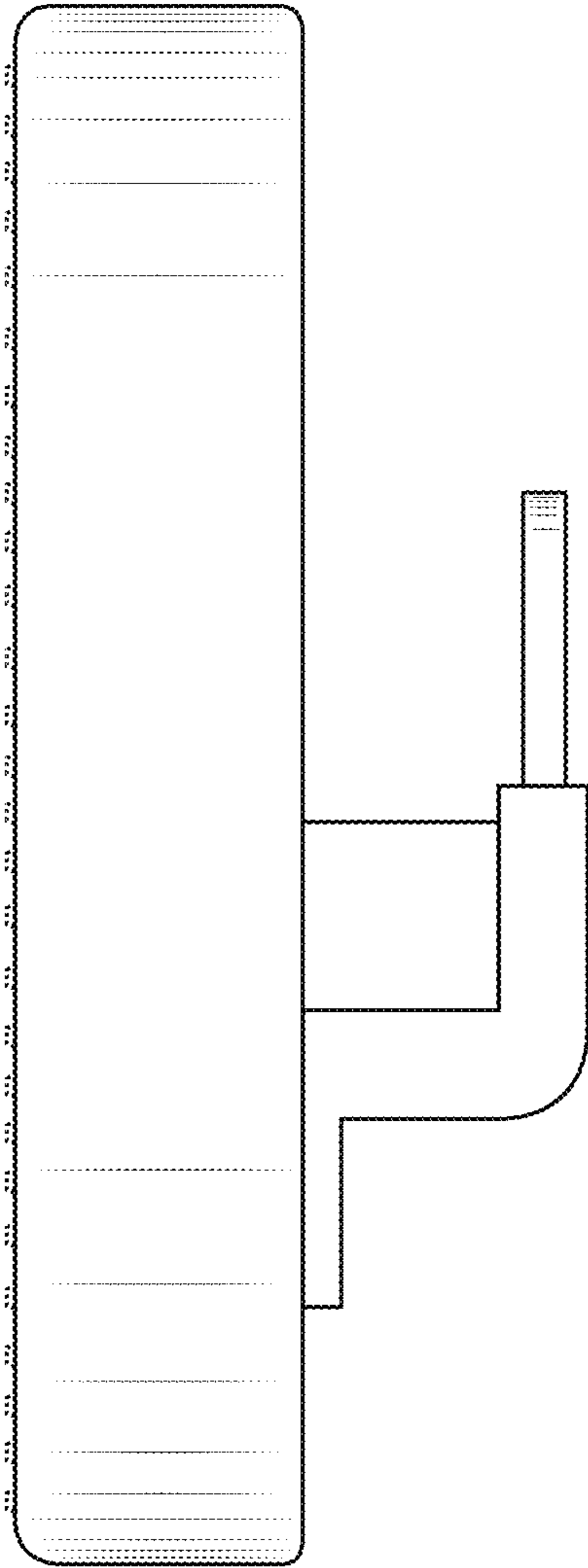


FIG.2

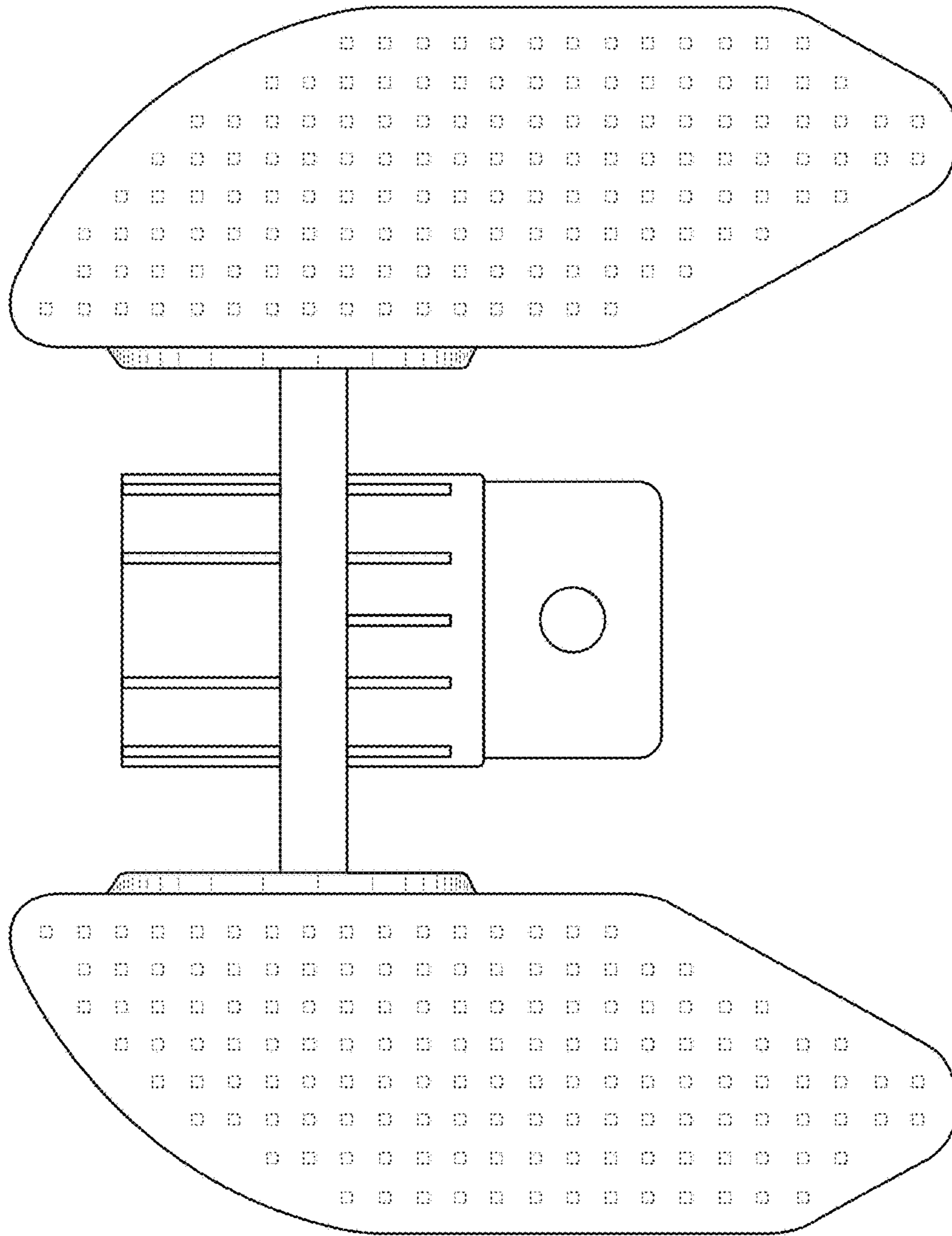


FIG.3

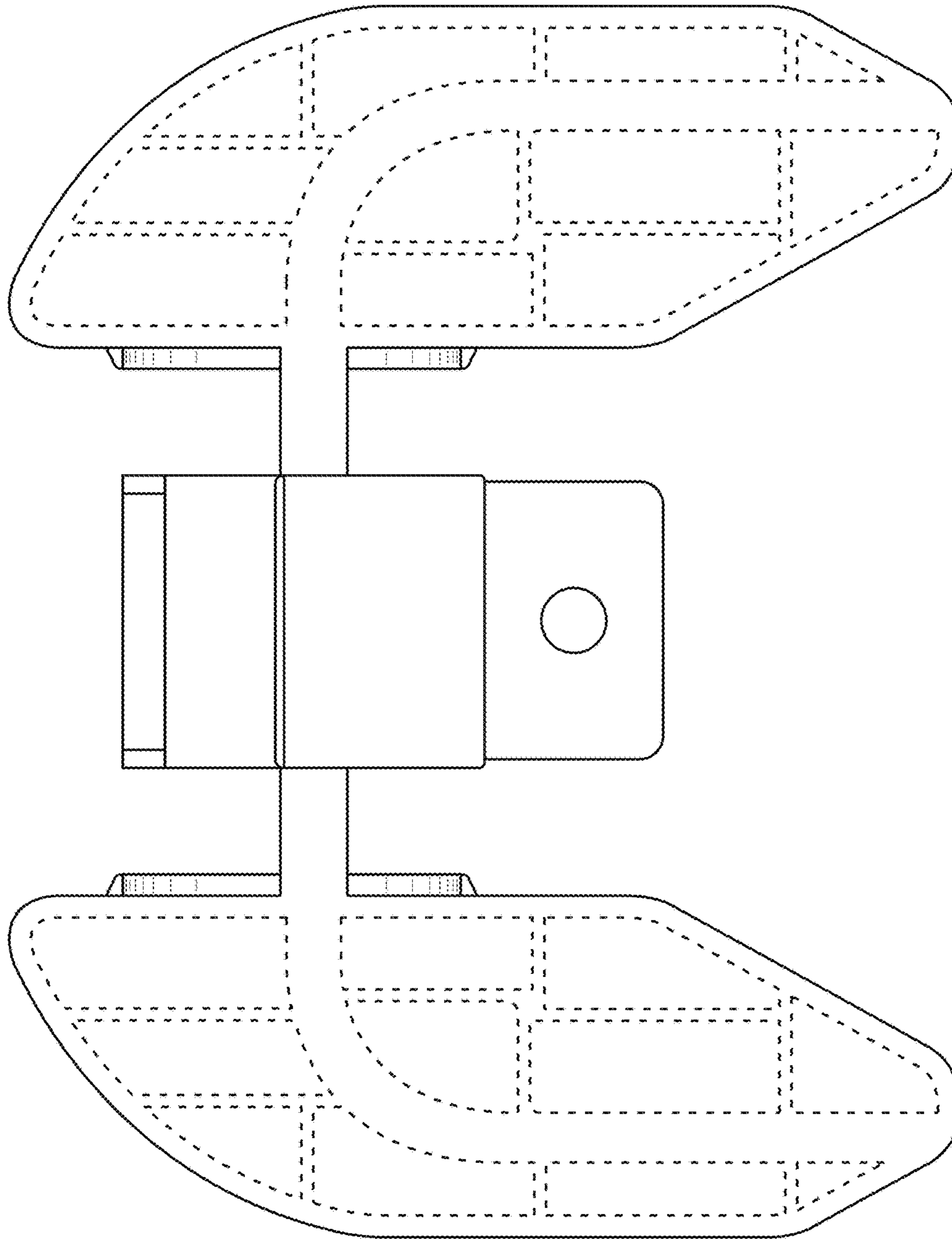


FIG.4

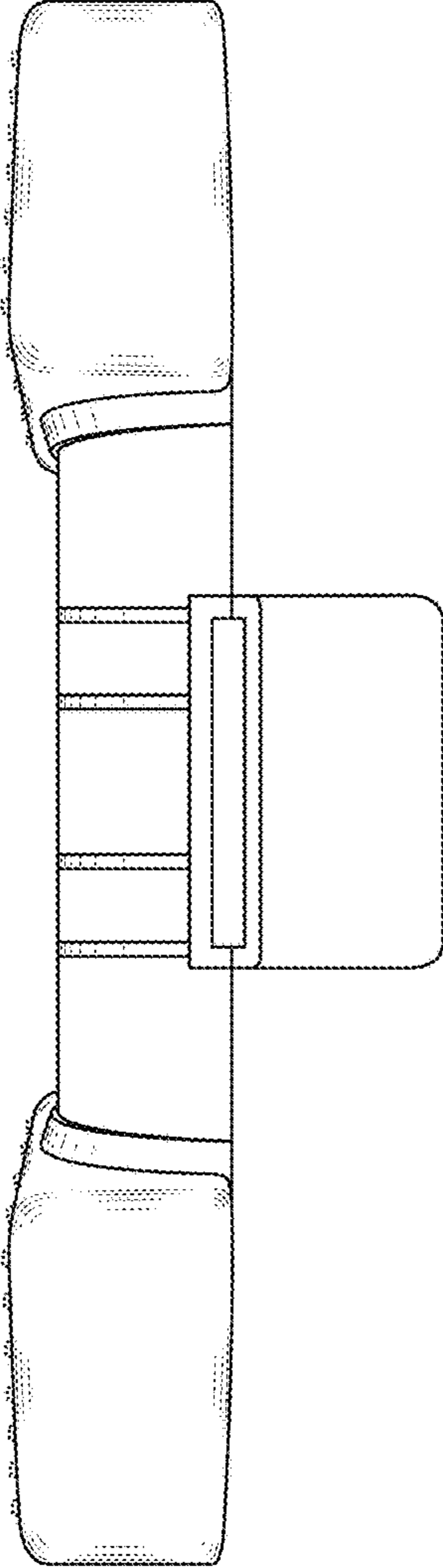


FIG.5

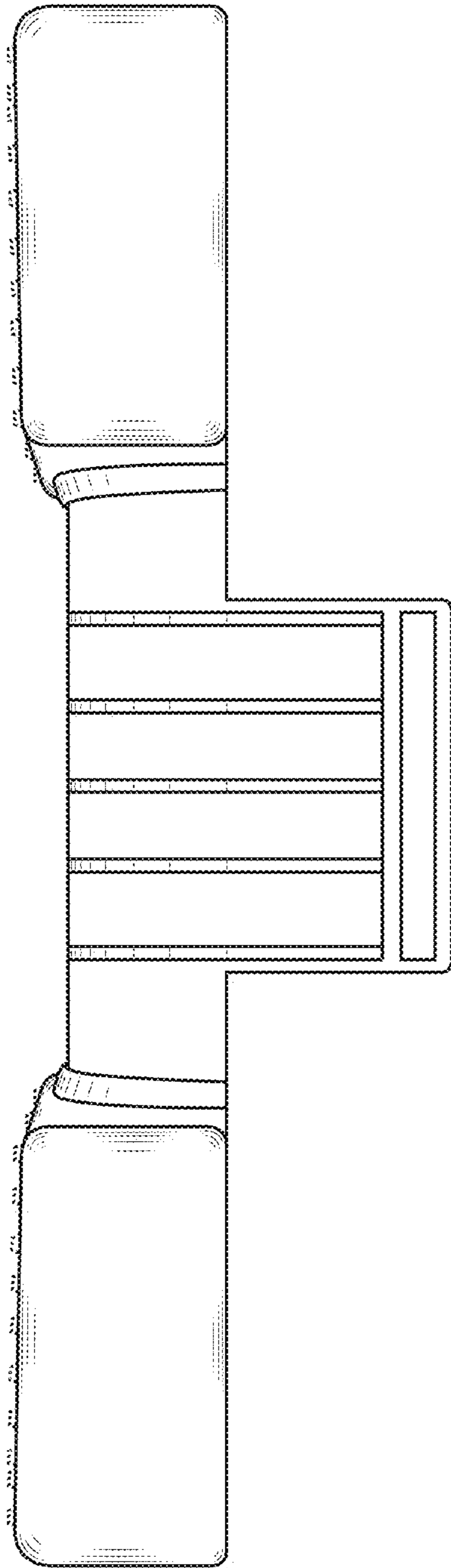


FIG. 6

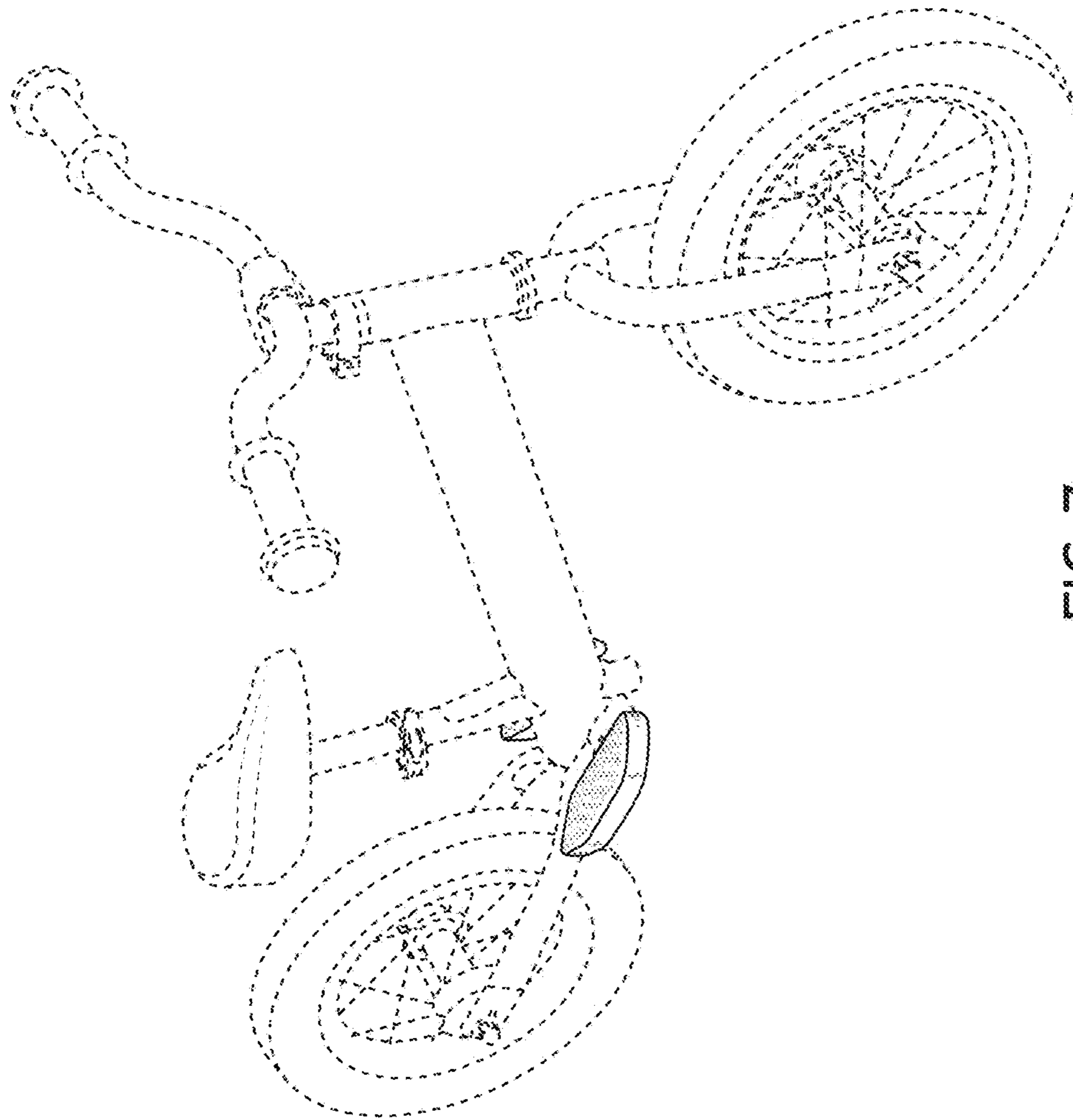


FIG.7

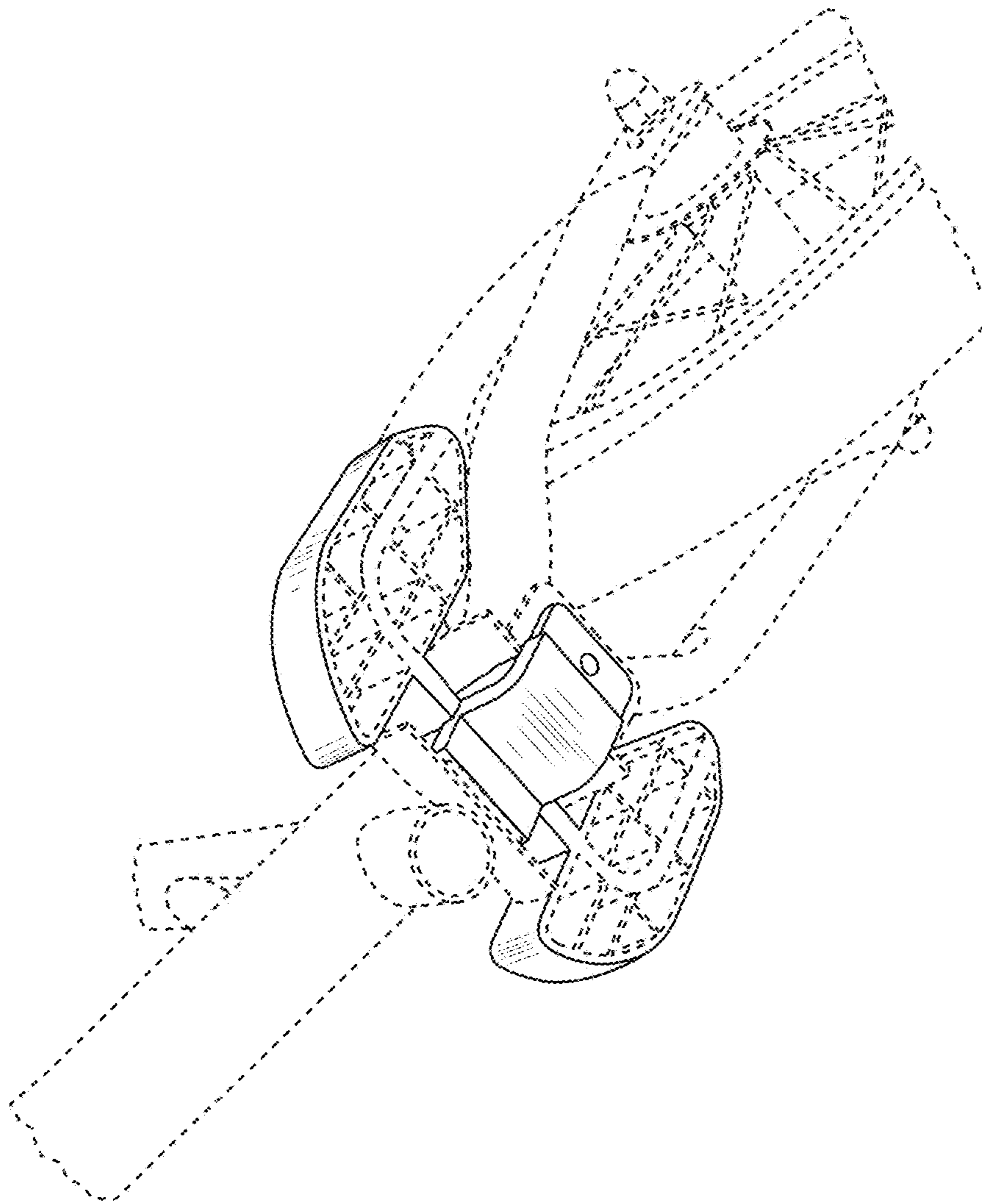


FIG. 8