



US00D833333S

(12) **United States Design Patent**
Yu

(10) **Patent No.:** **US D833,333 S**

(45) **Date of Patent:** **** Nov. 13, 2018**

(54) **ELECTRIC BICYCLE**

(71) Applicant: **JIAXING HONGRUI MACHINERY CO., LTD**, Zhejiang (CN)

(72) Inventor: **Yuejiong Yu**, Zhejiang (CN)

(**) Term: **15 Years**

(21) Appl. No.: **29/592,853**

(22) Filed: **Feb. 2, 2017**

(30) **Foreign Application Priority Data**

Aug. 18, 2016 (CN) 2016 3 0401442

(51) **LOC (11) Cl.** **12-11**

(52) **U.S. Cl.**
USPC **D12/111**

(58) **Field of Classification Search**
USPC D12/111, 117, 406, 407
CPC . B62K 3/00; B62K 3/005; B62K 9/00; B62K 19/00; B62K 19/02; B62K 19/04; B62K 19/06; B62K 19/16
See application file for complete search history.

(56) **References Cited**

U.S. PATENT DOCUMENTS

D294,338 S * 2/1988 Yamada D12/110
D389,787 S * 1/1998 Zeigle D12/111
D406,253 S * 3/1999 Yamashita D12/110
D419,492 S * 1/2000 Egger D12/111

D430,070 S * 8/2000 Kciuk D12/111
D516,469 S * 3/2006 Reinke D12/111
7,963,357 B2 * 6/2011 Gulas B62K 25/283
180/206.5
D670,208 S * 11/2012 Frenzel D12/111
D685,683 S * 7/2013 Shaw D12/111
D686,540 S * 7/2013 Hinderhofer D12/111
D694,156 S * 11/2013 Taipalus D12/111
D741,221 S * 10/2015 Haller D12/111
D752,264 S * 3/2016 Talios D26/28
D797,609 S * 9/2017 Gonzalez-Gancedo Carrillo-
Albornoz D12/111
2010/0314187 A1 * 12/2010 Chen B62M 6/60
180/206.5
2013/0001000 A1 * 1/2013 Krieger B62M 6/45
180/206.3

* cited by examiner

Primary Examiner — Darlington Ly

(74) *Attorney, Agent, or Firm* — Prakash Nama; Global IP Services, PLLC

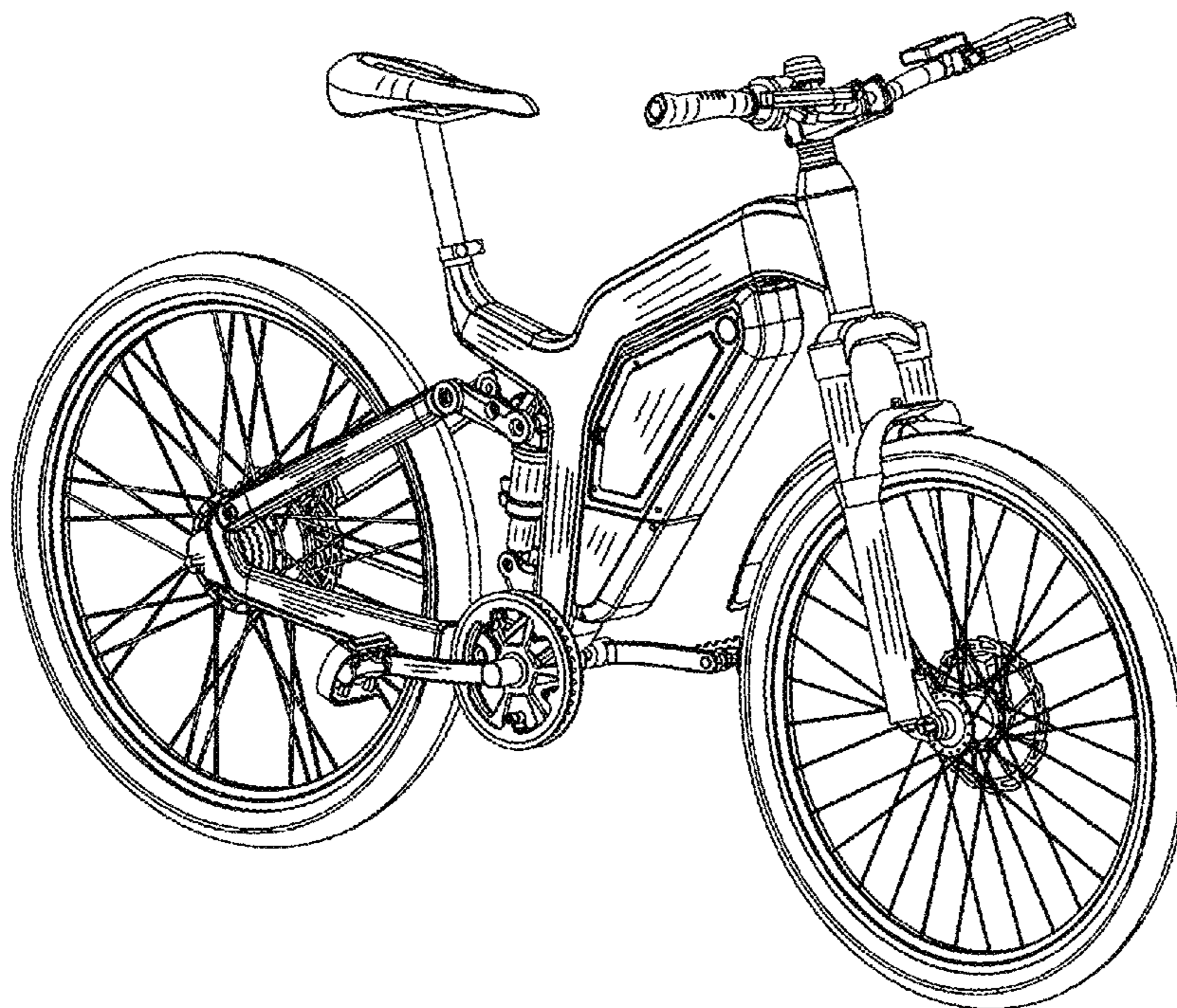
(57) **CLAIM**

The ornamental design for an electric bicycle, as shown.

DESCRIPTION

FIG. 1 is a front elevational view of an electric bicycle showing my new design;
FIG. 2 is a rear elevational view thereof;
FIG. 3 is a left side view in reduce scale thereof;
FIG. 4 is a right side view in reduce scale thereof;
FIG. 5 is a top plan view in reduce scale thereof;
FIG. 6 is a bottom plan view in reduce scale thereof; and,
FIG. 7 is a perspective view thereof.

1 Claim, 7 Drawing Sheets



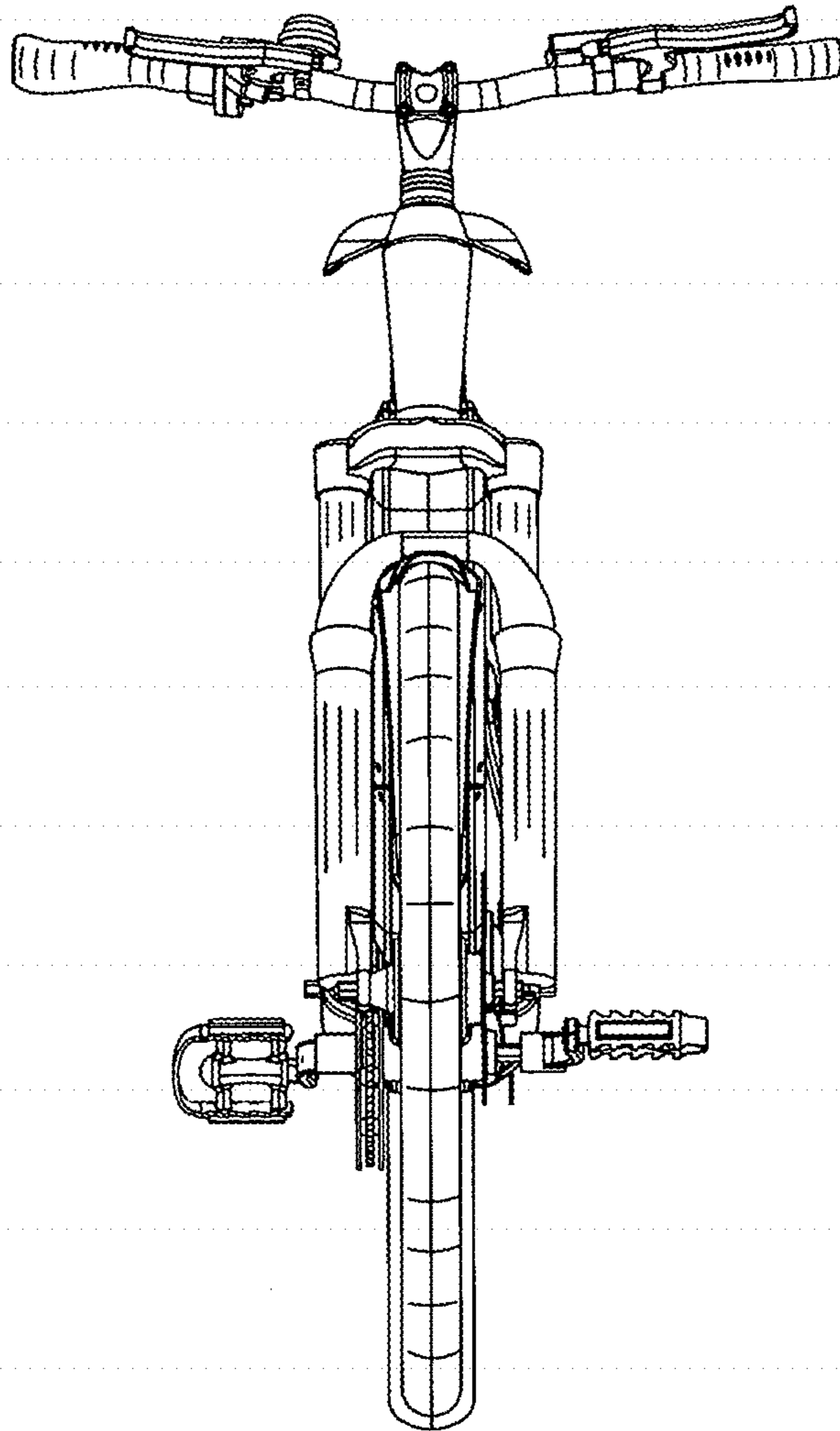


Fig. 1

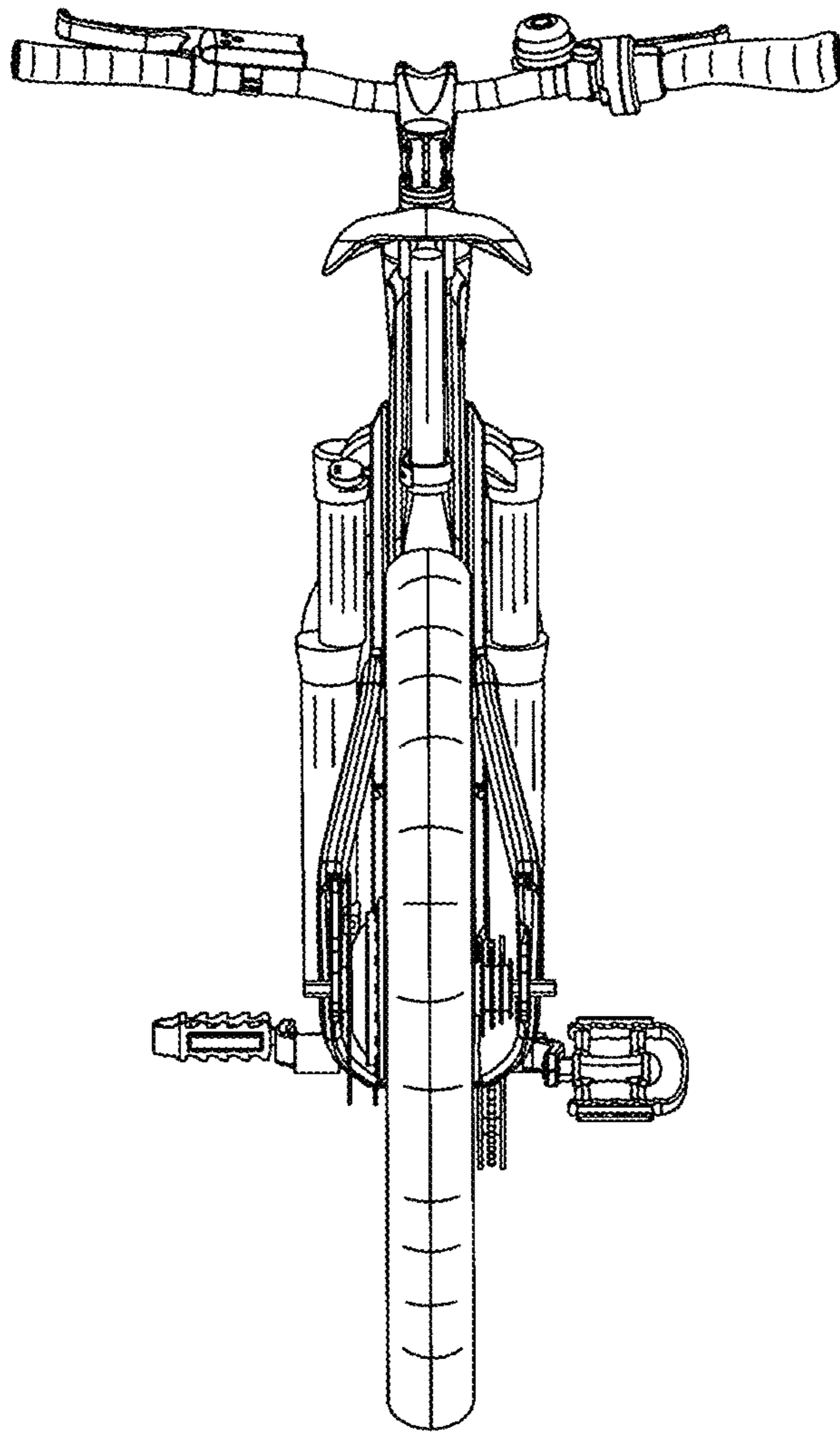


Fig. 2

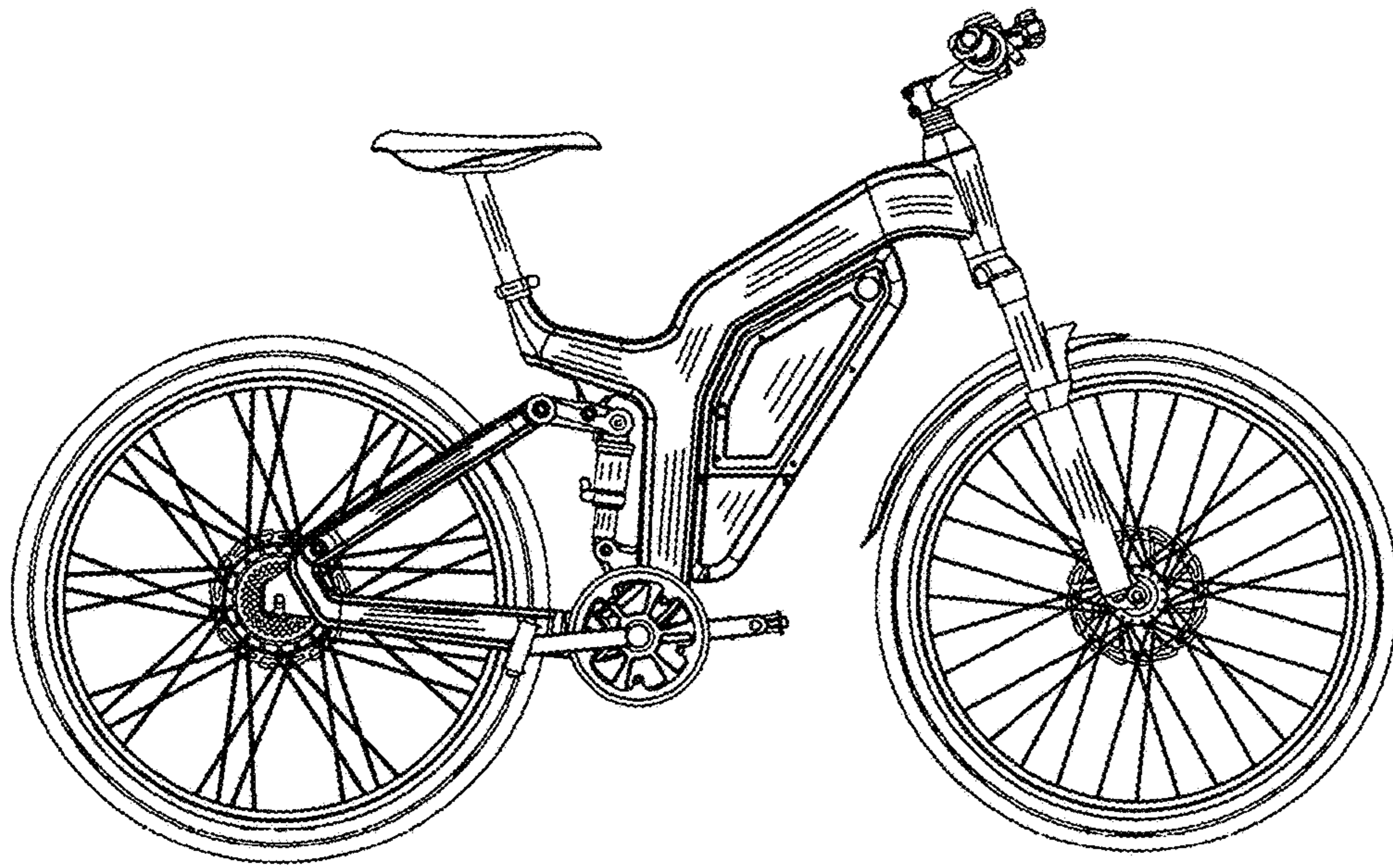


Fig. 3

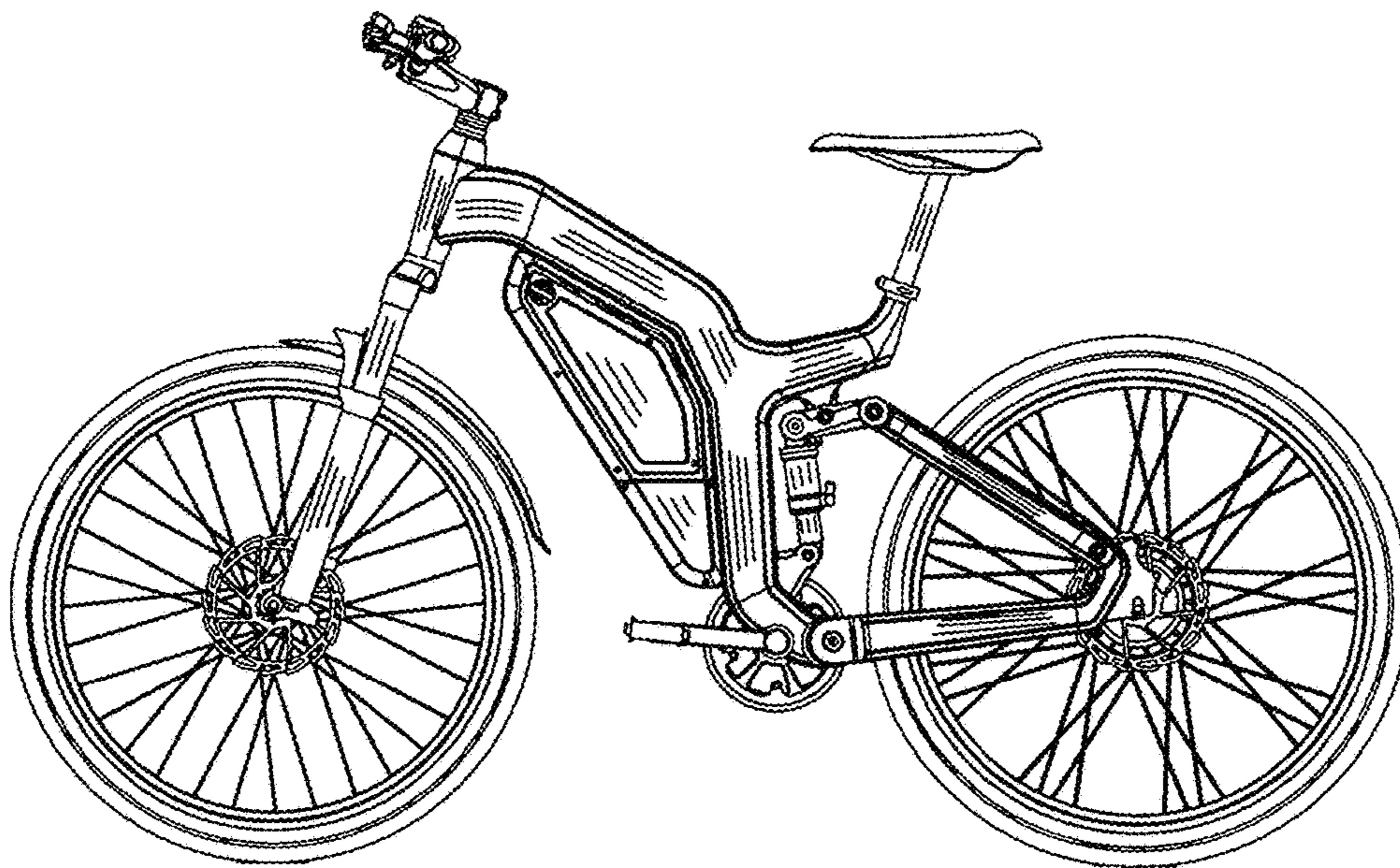


Fig. 4

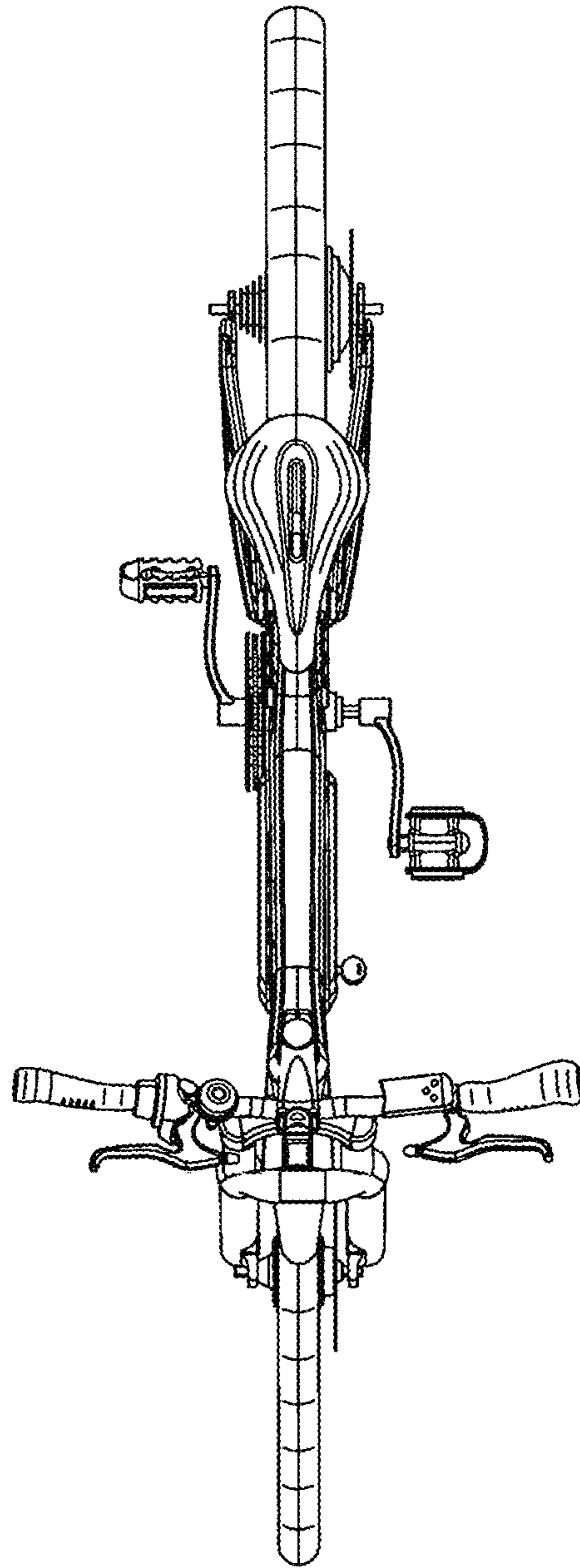


Fig. 5

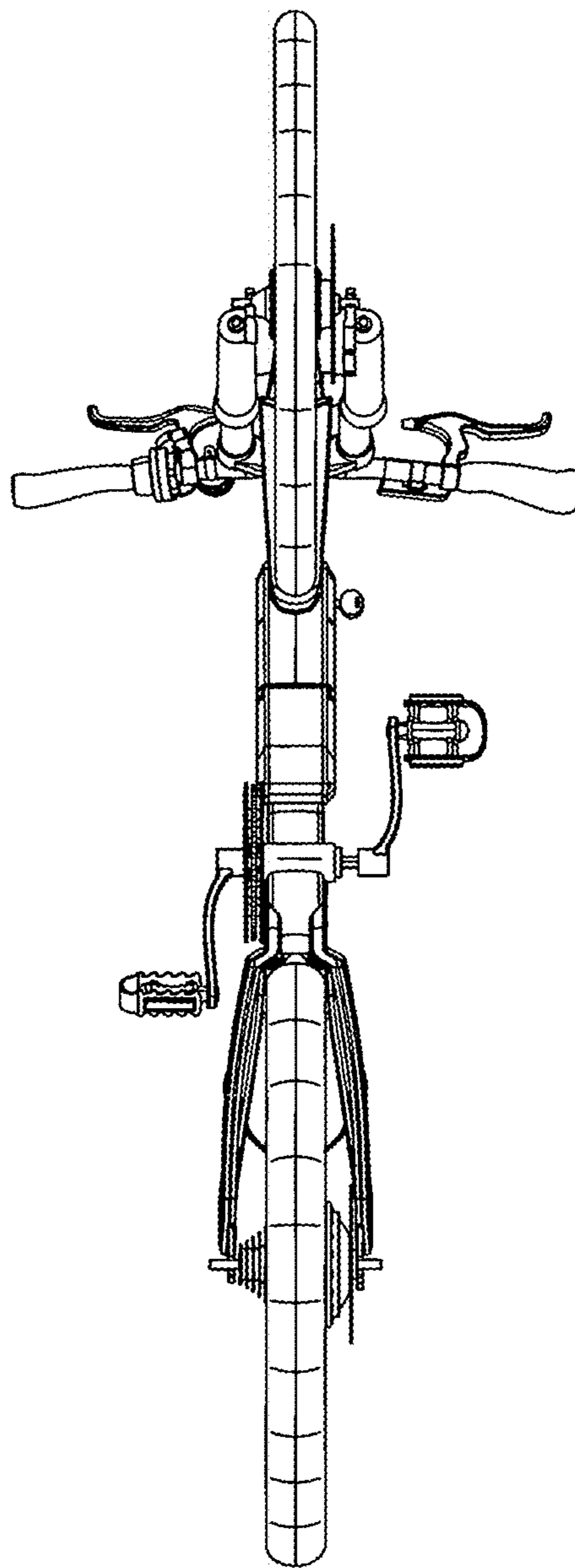


Fig. 6

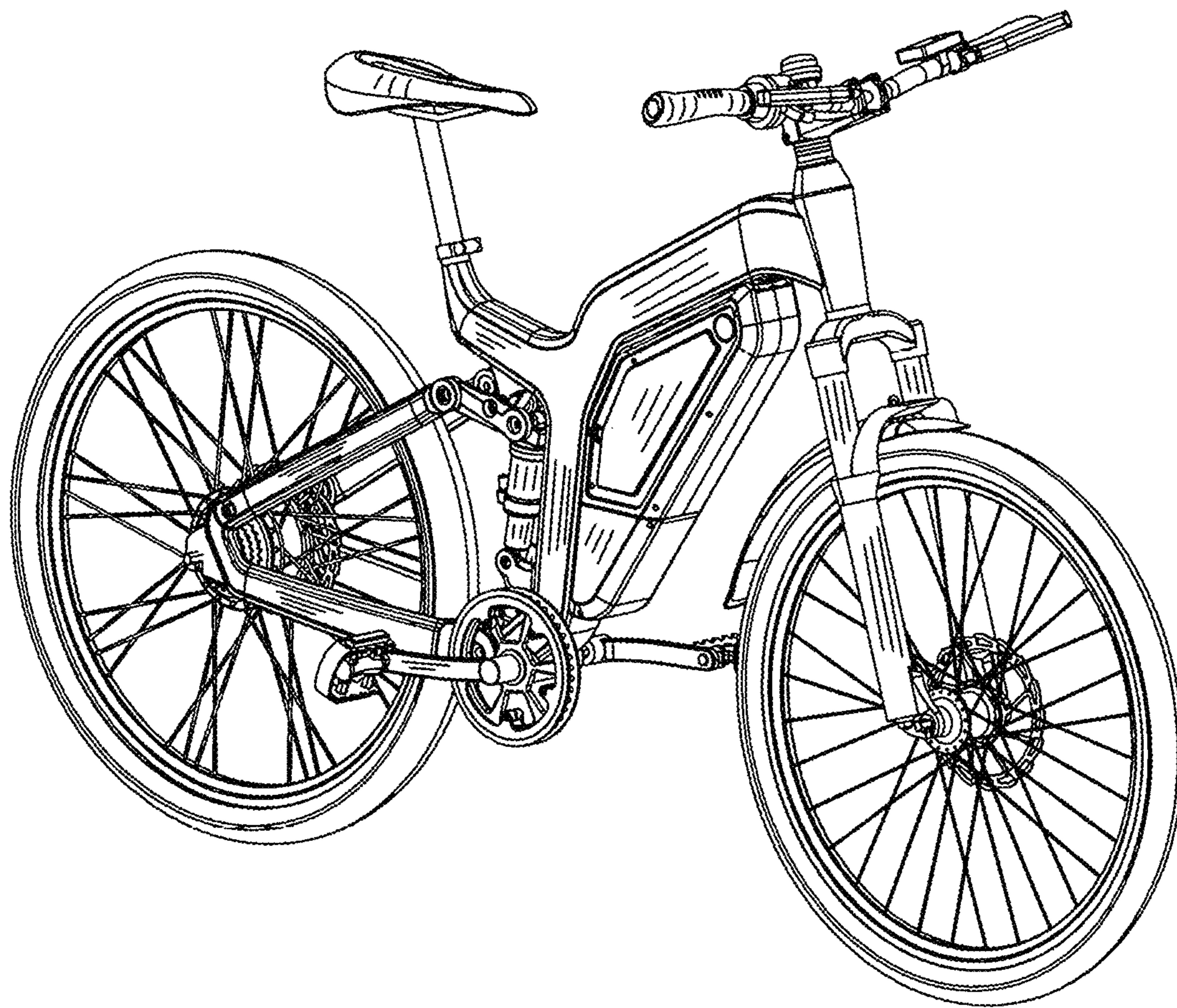


Fig. 7