



US00D833330S

(12) **United States Design Patent**  
**Sakai et al.**

(10) **Patent No.:** **US D833,330 S**

(45) **Date of Patent:** **\*\* Nov. 13, 2018**

(54) **AUTOMOBILE AND/OR TOY REPLICA THEREOF**

(71) Applicant: **Nissan Motor Co., Ltd.**, Yokohama, Kanagawa (JP)

(72) Inventors: **Junichi Sakai**, Kanagawa (JP); **Kazuhiko Watanabe**, Kanagawa (JP); **Kenichiro Koizumi**, San Diego, CA (US); **Mitsunori Morita**, Kanagawa (JP)

(73) Assignee: **Nissan Motor Co., Ltd.**, Yokohama (JP)

(\*\*) Term: **15 Years**

(21) Appl. No.: **29/623,076**

(22) Filed: **Oct. 23, 2017**

(30) **Foreign Application Priority Data**

Apr. 24, 2017 (JP) ..... 2017-008783

(51) **LOC (11) Cl.** ..... **12-08**

(52) **U.S. Cl.**  
USPC ..... **D12/91**

(58) **Field of Classification Search**  
USPC .... D12/86, 90-92; D21/424, 433, 434, 521, D21/533; 296/181.1-181.5, 183.1  
CPC ..... B62D 25/00; B62D 25/06; B62D 33/00; B62D 35/00  
See application file for complete search history.

(56) **References Cited**

**U.S. PATENT DOCUMENTS**

D678,820 S \* 3/2013 Song ..... D12/91

D686,532 S \* 7/2013 Lamm ..... D12/91  
D718,187 S \* 11/2014 Hou ..... D12/91  
D728,423 S \* 5/2015 Rugar ..... D12/91  
D732,433 S \* 6/2015 Aengenheyster ..... D12/91  
D735,611 S \* 8/2015 Aengenheyster ..... D12/91  
D736,119 S \* 8/2015 Kaoud ..... D12/91  
D741,752 S \* 10/2015 Messale ..... D12/91  
D759,540 S \* 6/2016 Davidson ..... D12/91  
D773,341 S \* 12/2016 Liu ..... D12/92  
D805,957 S \* 12/2017 Seo ..... D12/91

\* cited by examiner

*Primary Examiner* — Melody N Brown

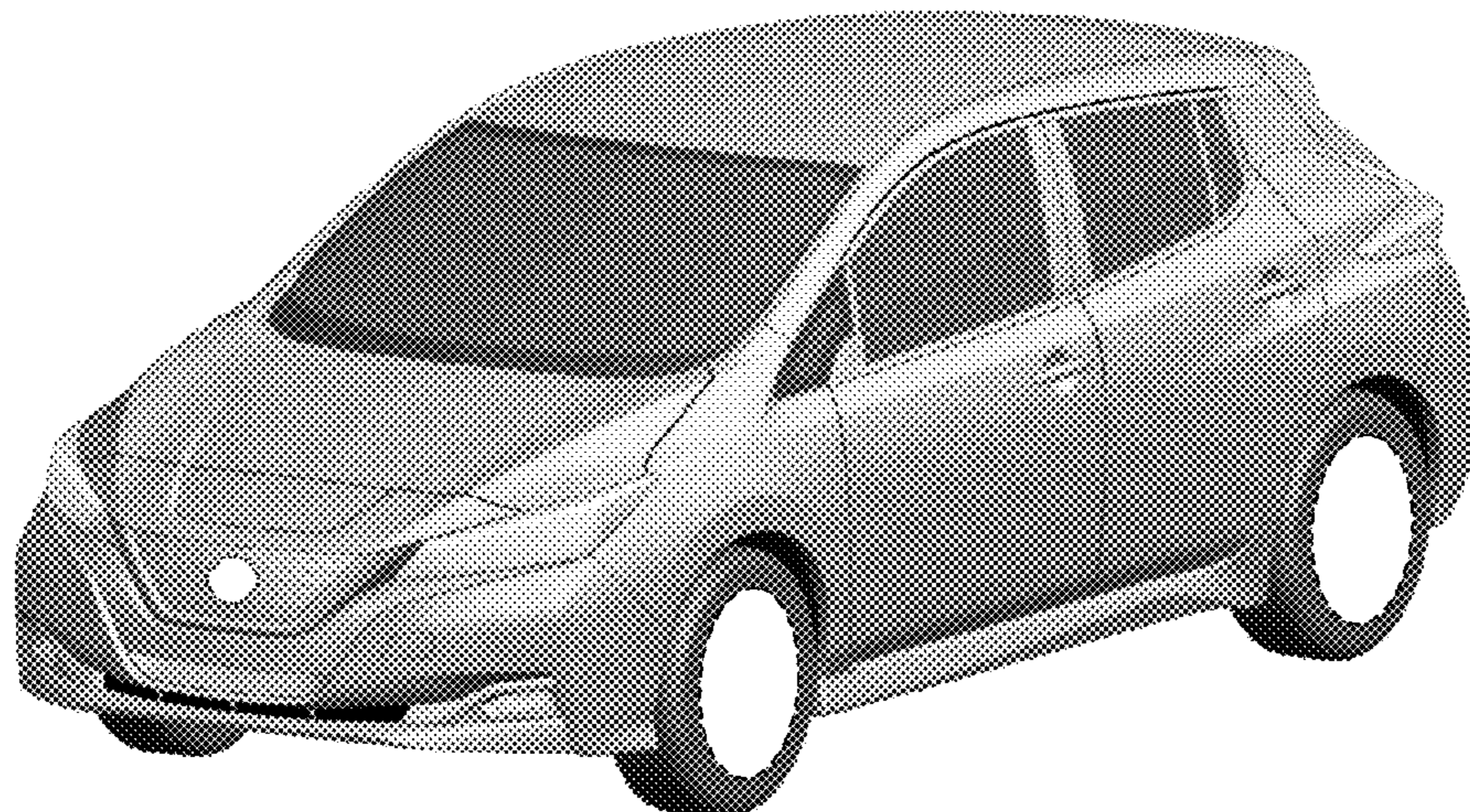
(57) **CLAIM**

The ornamental design for an automobile and/or toy replica thereof, as shown and described.

**DESCRIPTION**

FIG. 1 is a front elevational view of an automobile and/or toy replica thereof in accordance with our new design;  
FIG. 2 is a top plan view thereof;  
FIG. 3 is a left side elevational view thereof;  
FIG. 4 is a right side elevational view thereof;  
FIG. 5 is a top, front and left side perspective view thereof;  
FIG. 6 is a top, rear and right side perspective view thereof;  
and,  
FIG. 7 is a rear elevational view thereof.  
The broken lines shown throughout the drawing views are for environmental and illustrative purposes and form no part of the claimed design.

**1 Claim, 7 Drawing Sheets**



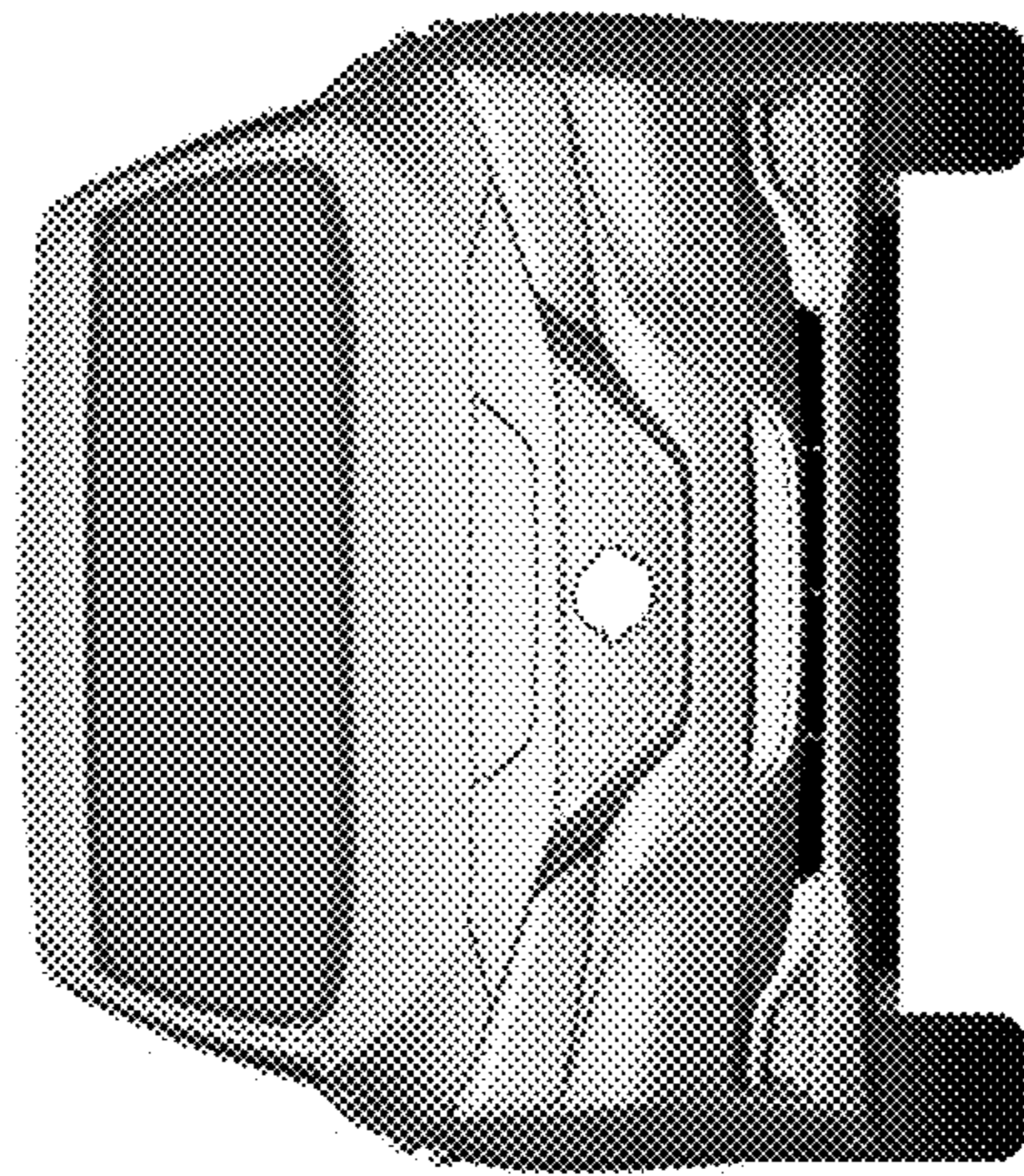


FIG. 1

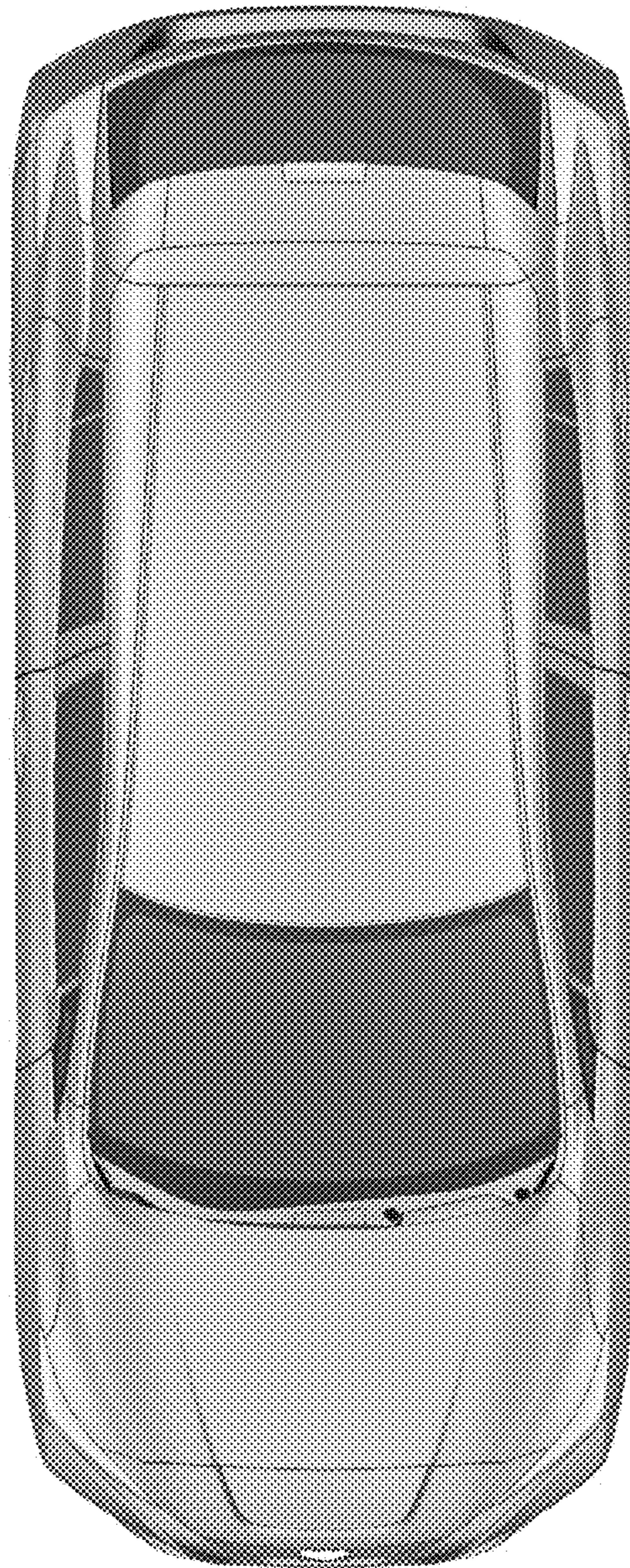


FIG. 2

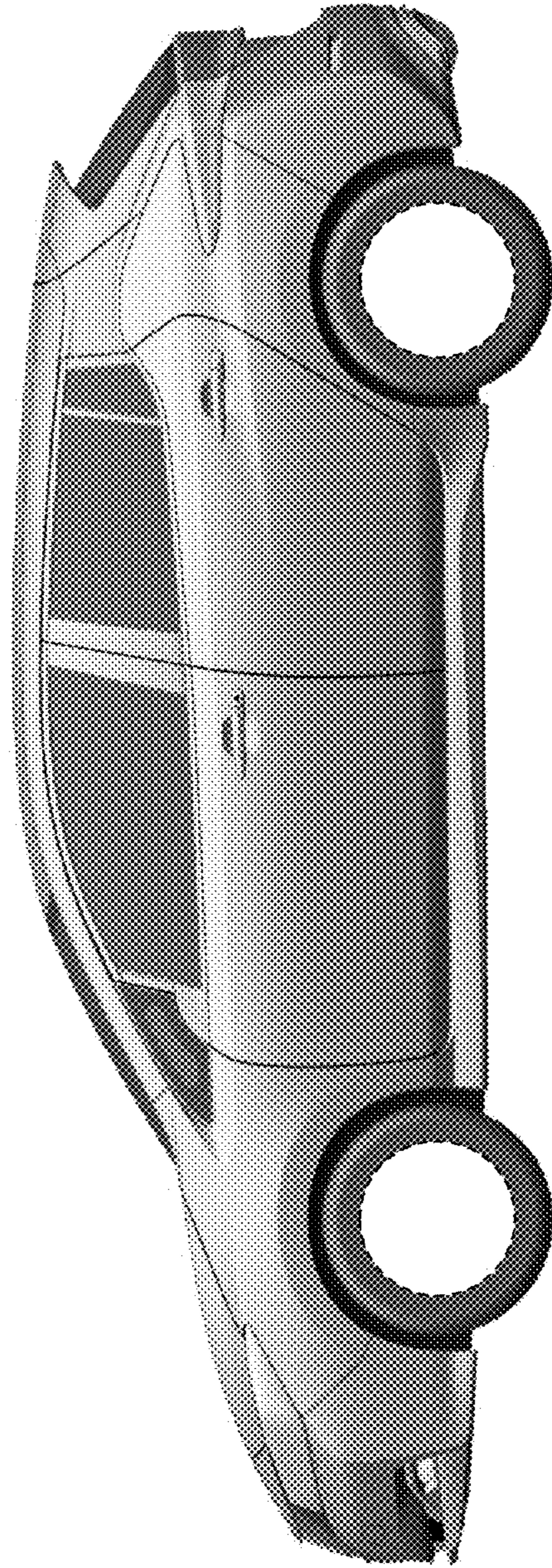


FIG. 3

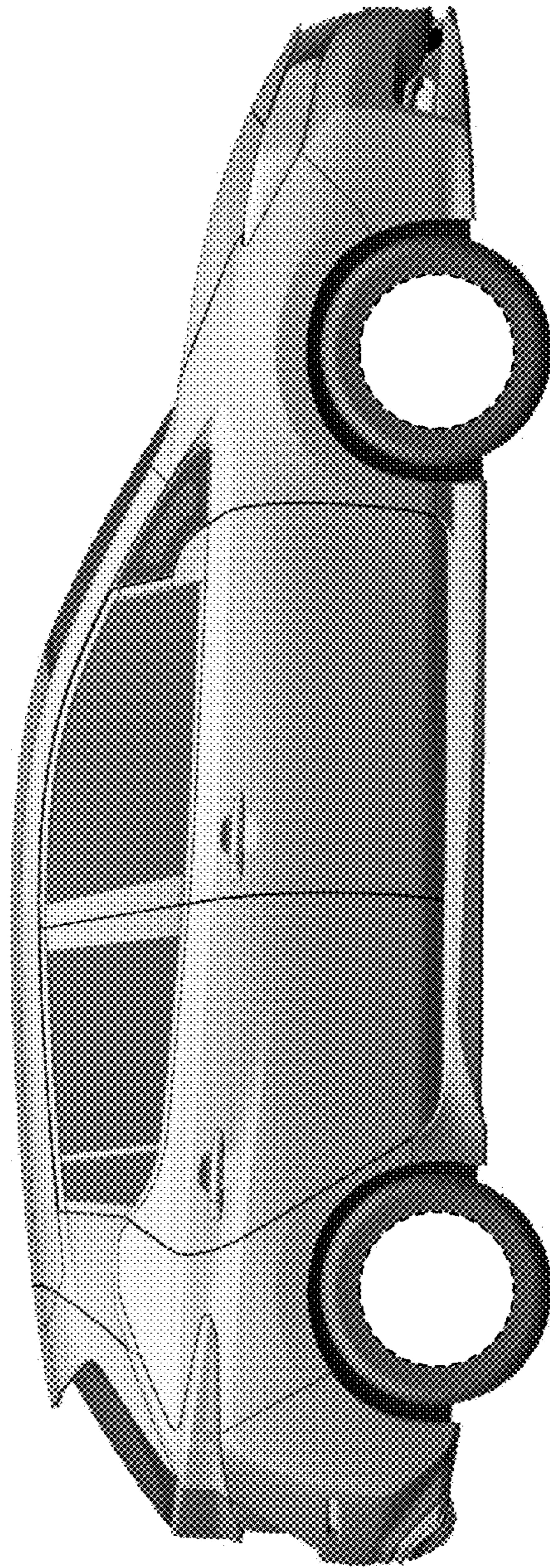


FIG. 4

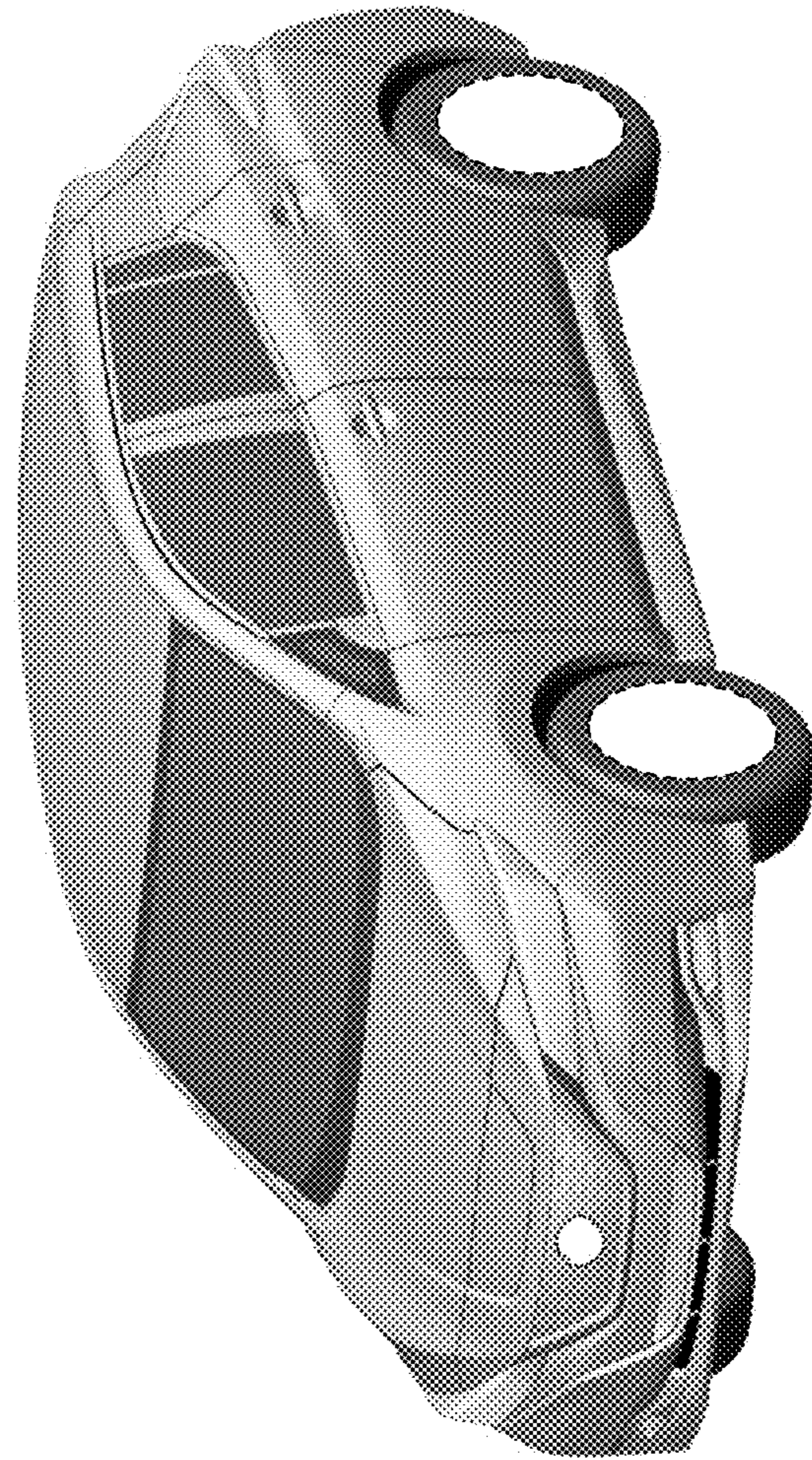


FIG. 5

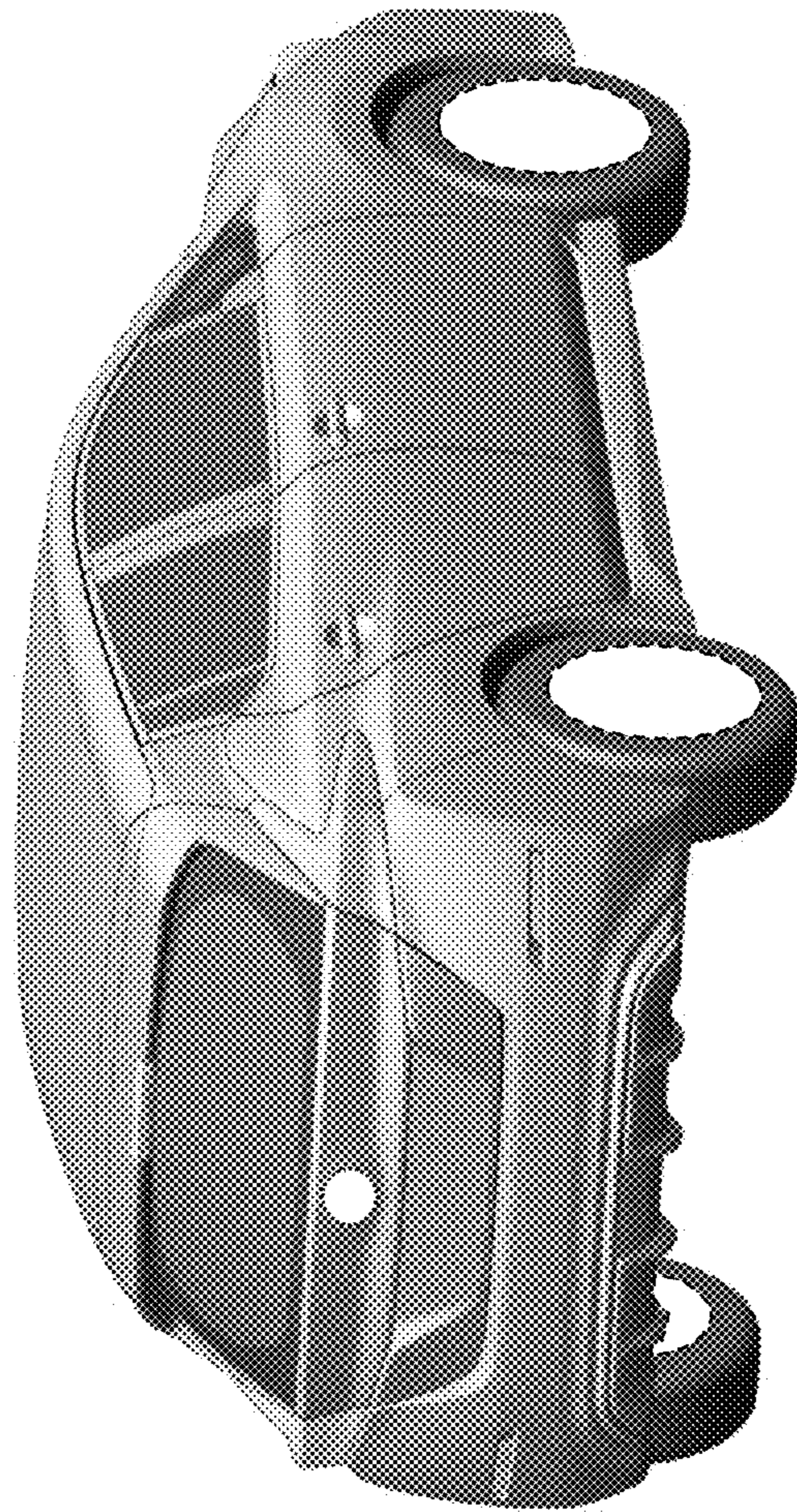


FIG. 6

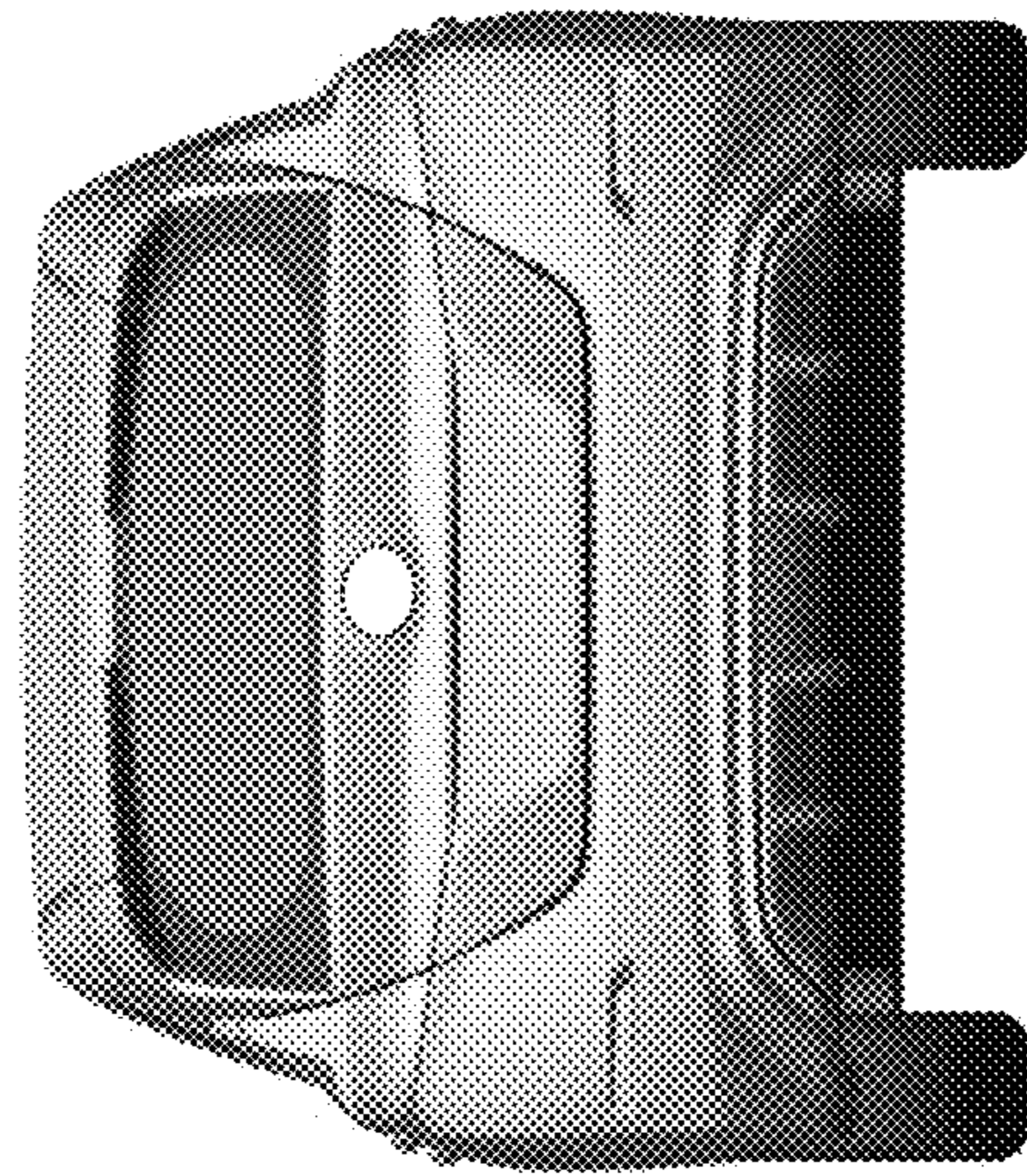


FIG. 7