



US00D833321S

(12) **United States Design Patent** (10) **Patent No.:** **US D833,321 S**
Silvestri (45) **Date of Patent:** **** Nov. 13, 2018**

(54) **PAIR OF EARRINGS**

(71) Applicant: **Bulgari S.p.A.**, Rome (IT)

(72) Inventor: **Lucia Silvestri**, Rome (IT)

(73) Assignee: **Bulgari S.p.A.**, Rome (IT)

(**) Term: **15 Years**

(21) Appl. No.: **29/618,258**

(22) Filed: **Sep. 20, 2017**

(30) **Foreign Application Priority Data**

Mar. 21, 2017 (WO) DM/095406

(51) **LOC (11) Cl.** **11-01**

(52) **U.S. Cl.**
USPC **D11/41**

(58) **Field of Classification Search**
USPC D11/1, 2, 7, 8, 40-86
CPC A44C 7/00; A44C 7/002; A44C 7/003;
A44C 7/004; A44C 7/005; A44C 7/006;
A44C 7/007; A44C 7/008; A44C 7/009;
A44C 17/02; A44C 17/0208; A44C
17/0216; A44C 17/0255; A44C 17/0233;
A44C 17/0241; A44C 17/025; A44C
17/0258; A44C 17/0266; A44C 25/00;
A44C 25/001; A44C 25/007; A44C 1/00;
A44C 3/001; A44C 3/002; A44C 3/004;
A44C 3/005; A44C 3/007

See application file for complete search history.

(56) **References Cited**

U.S. PATENT DOCUMENTS

D133,169 S * 7/1942 Barbieri D11/58
D145,261 S * 7/1946 Philippe D11/58

D145,271 S * 7/1946 Philippe D11/58
D150,615 S * 8/1948 Katz D11/41
D151,151 S * 9/1948 Katz D11/41
D151,827 S * 11/1948 Katz D11/58
D156,123 S * 11/1949 Katz D11/45
D171,820 S * 3/1954 Philippe D11/44
D267,241 S * 12/1982 Bulgari D11/75
D274,709 S * 7/1984 Bulgari D11/43
D293,899 S * 1/1988 Bulgari D11/43
D809,962 S * 2/2018 Le Bail D11/58

OTHER PUBLICATIONS

[Online] <https://www.bulgari.com/en-kr/products/354079-e.html>.
Retrieved June 9, 2018.*

* cited by examiner

Primary Examiner — Melanie Pellegrini
(74) *Attorney, Agent, or Firm* — Stephen A. Kenny; Peter
A. Sullivan; Foley Hoag LLP

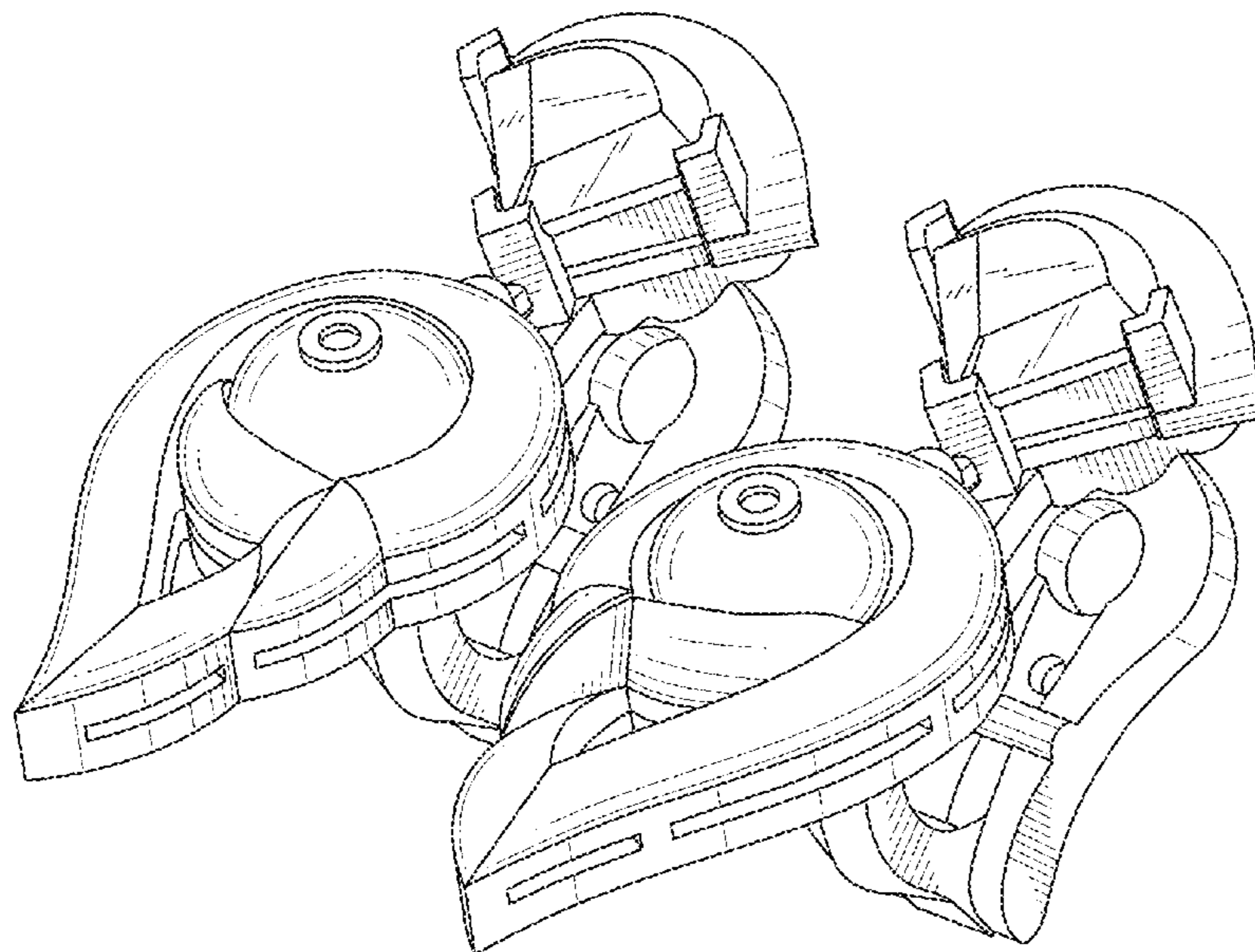
(57) **CLAIM**

The ornamental design for a pair of earrings, as shown and
described.

DESCRIPTION

FIG. 1 is a perspective view of a pair of earrings showing my
new design.
FIG. 2 is a front view thereof.
FIG. 3 is a back view thereof.
FIG. 4 is a left side view thereof.
FIG. 5 is a right side view thereof.
FIG. 6 is a top view thereof; and,
FIG. 7 is a bottom view thereof.
The broken lines shown in the drawings illustrate portions of
the pair of earrings that form no part of the claimed design.

1 Claim, 7 Drawing Sheets



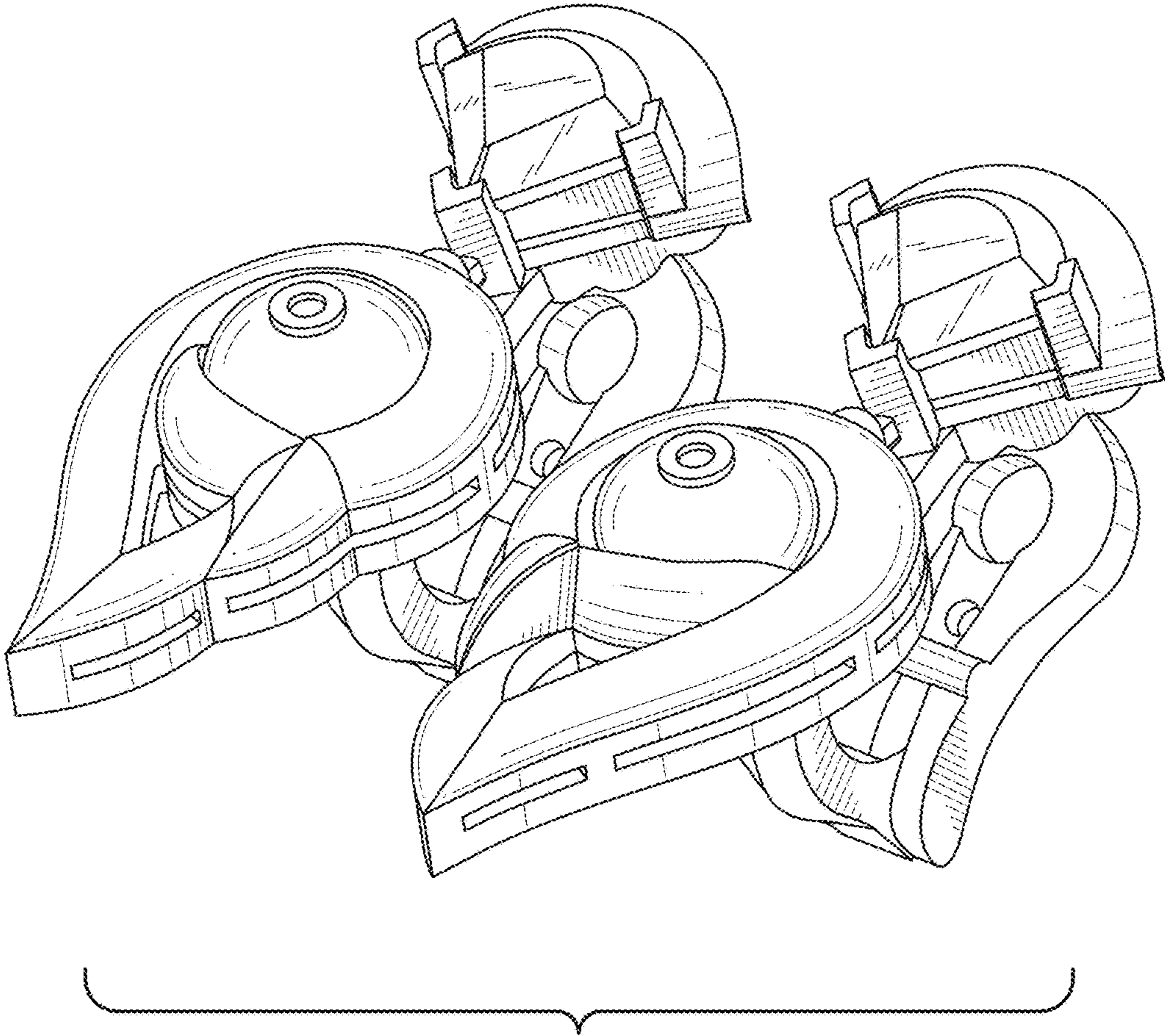


FIG. 1

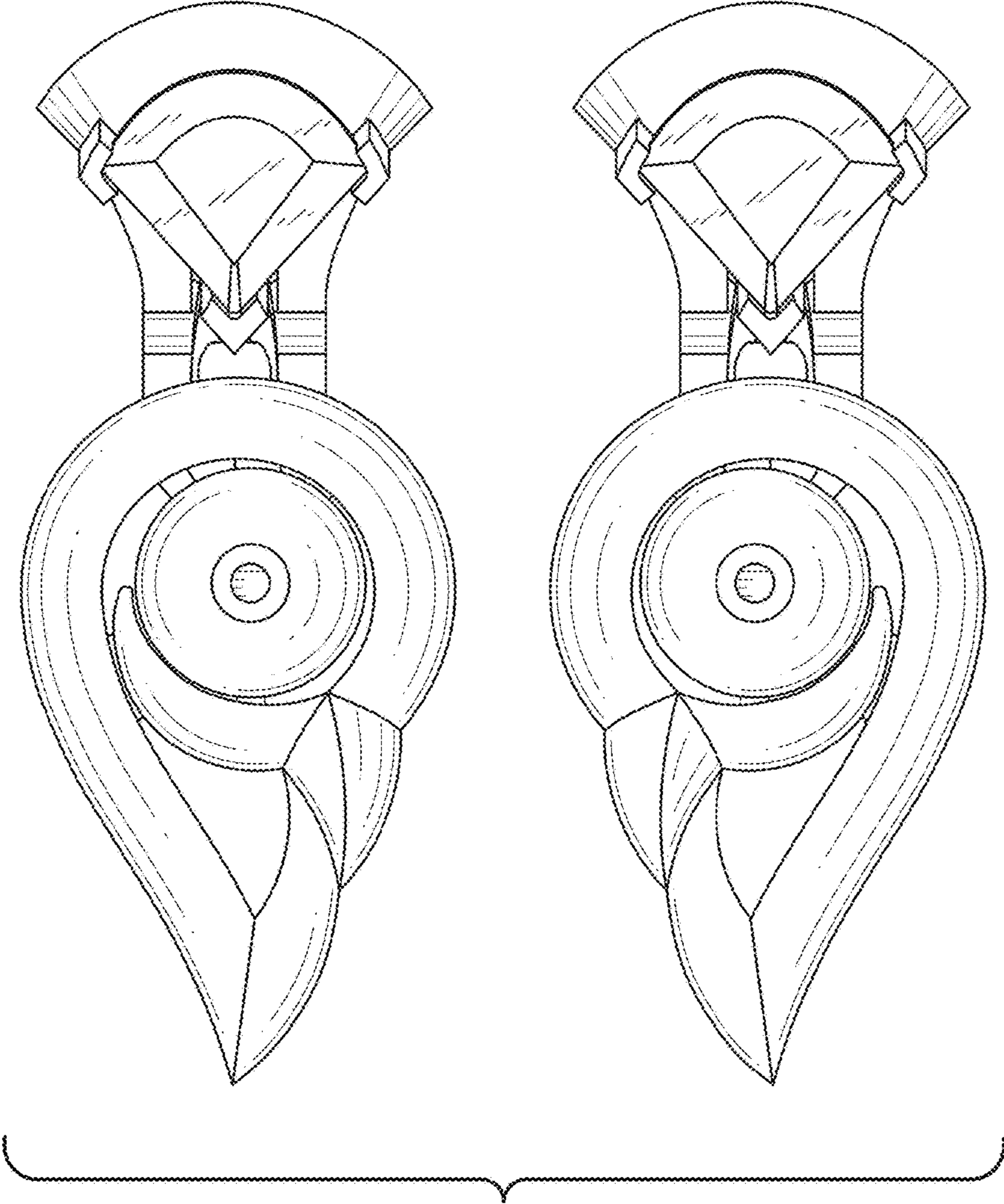


FIG. 2

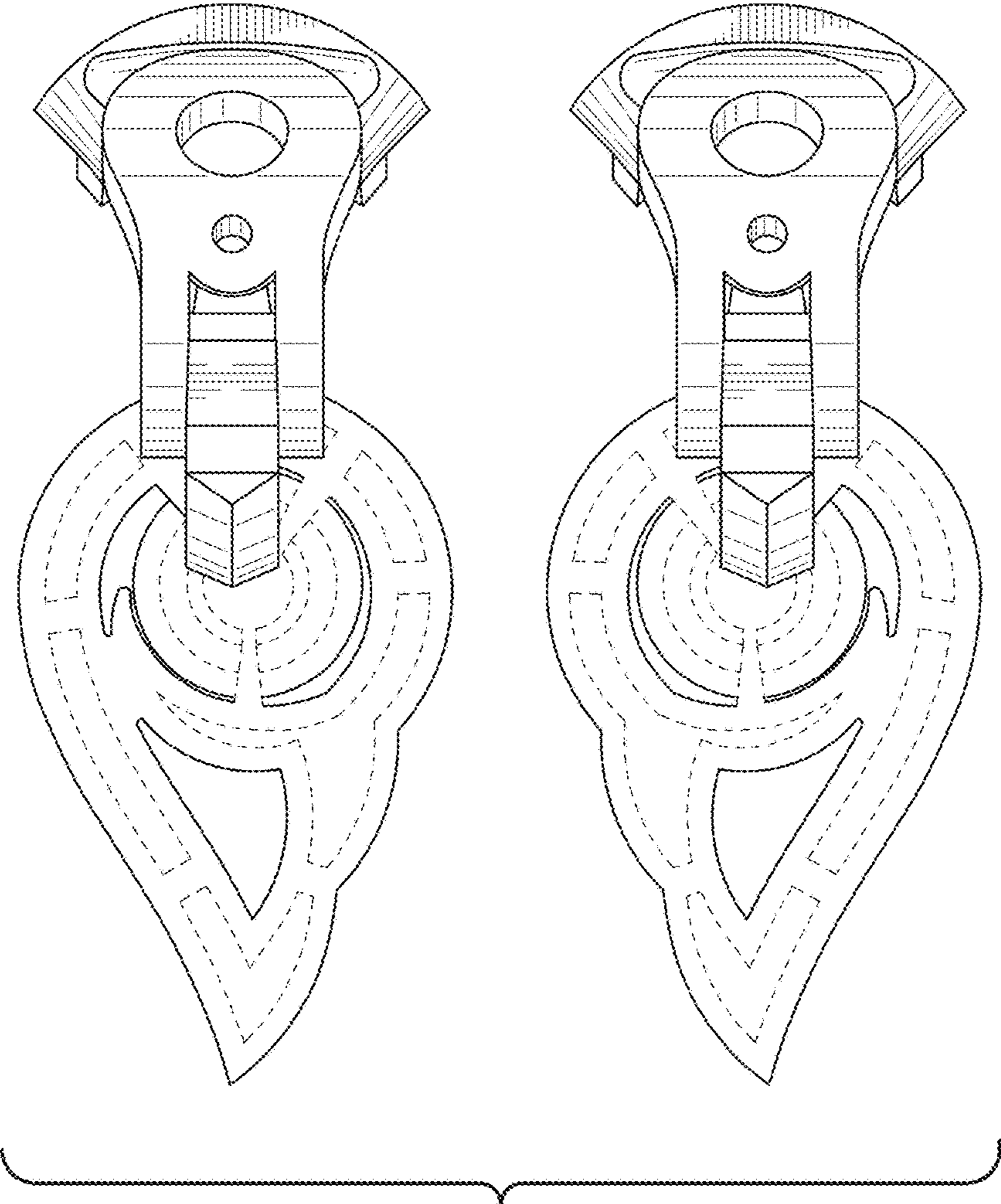


FIG. 3

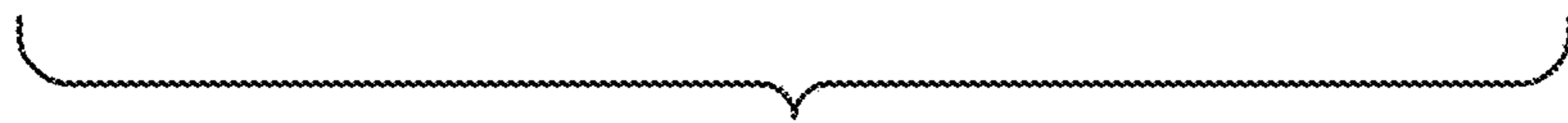
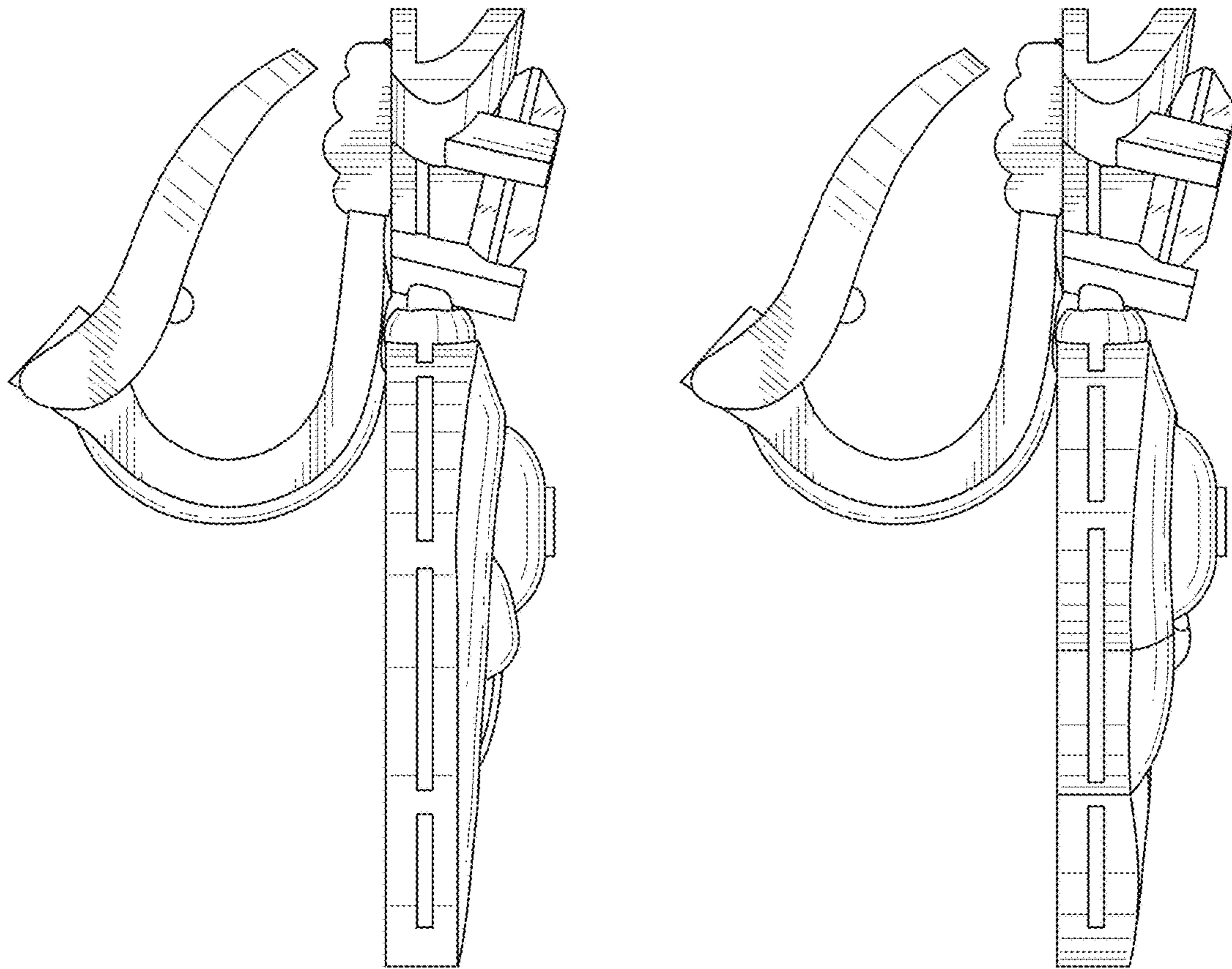


FIG.4

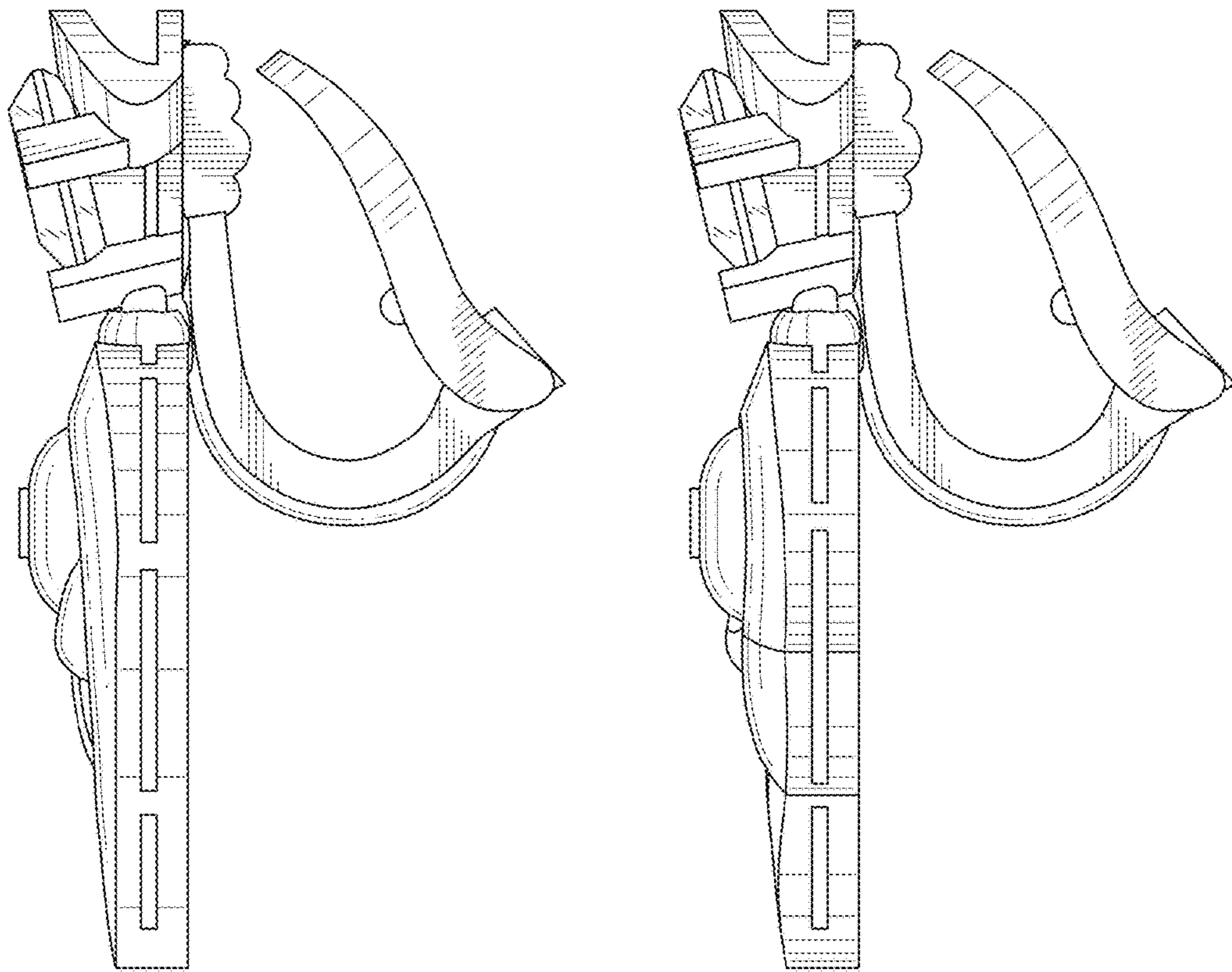


FIG. 5

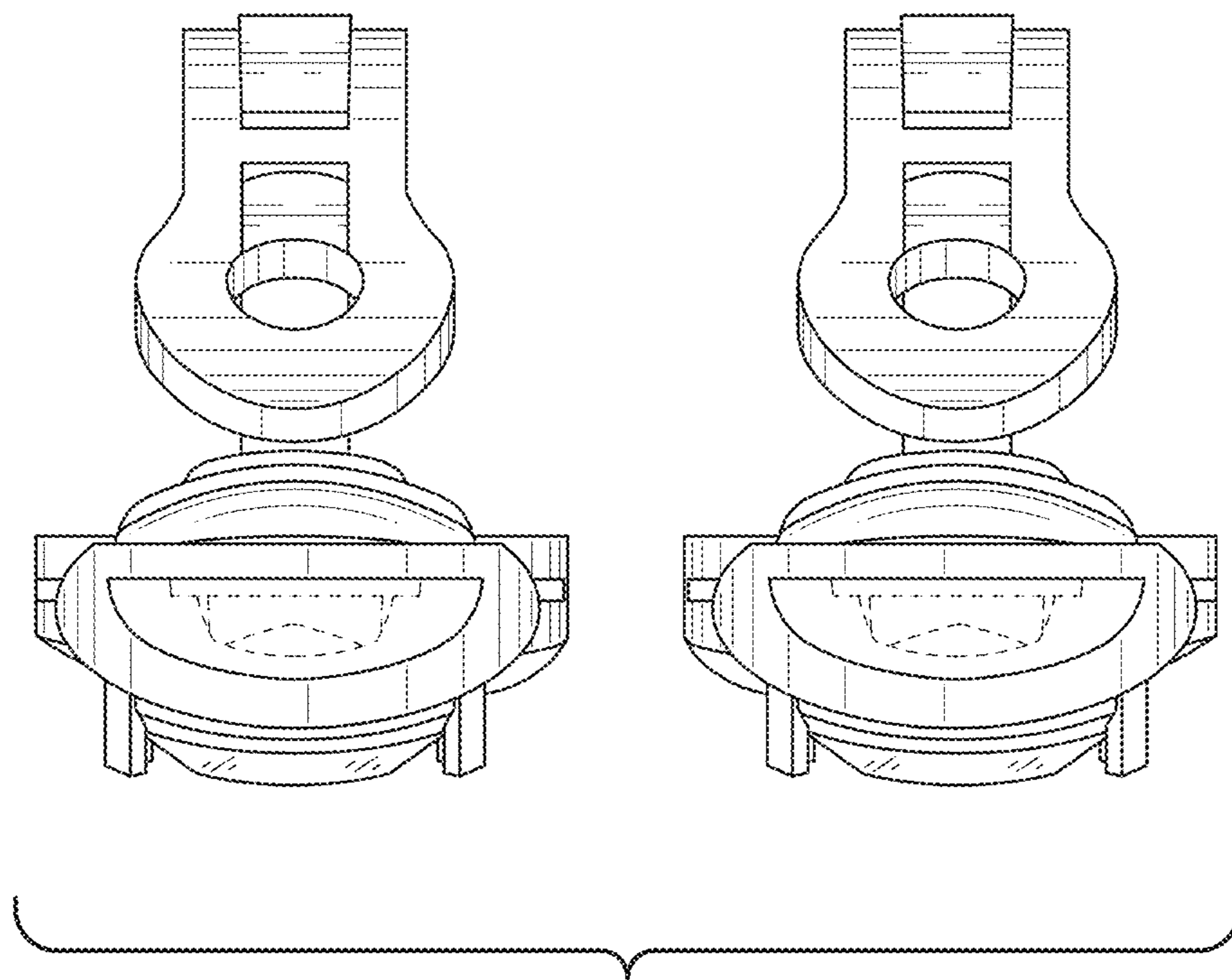


FIG. 6

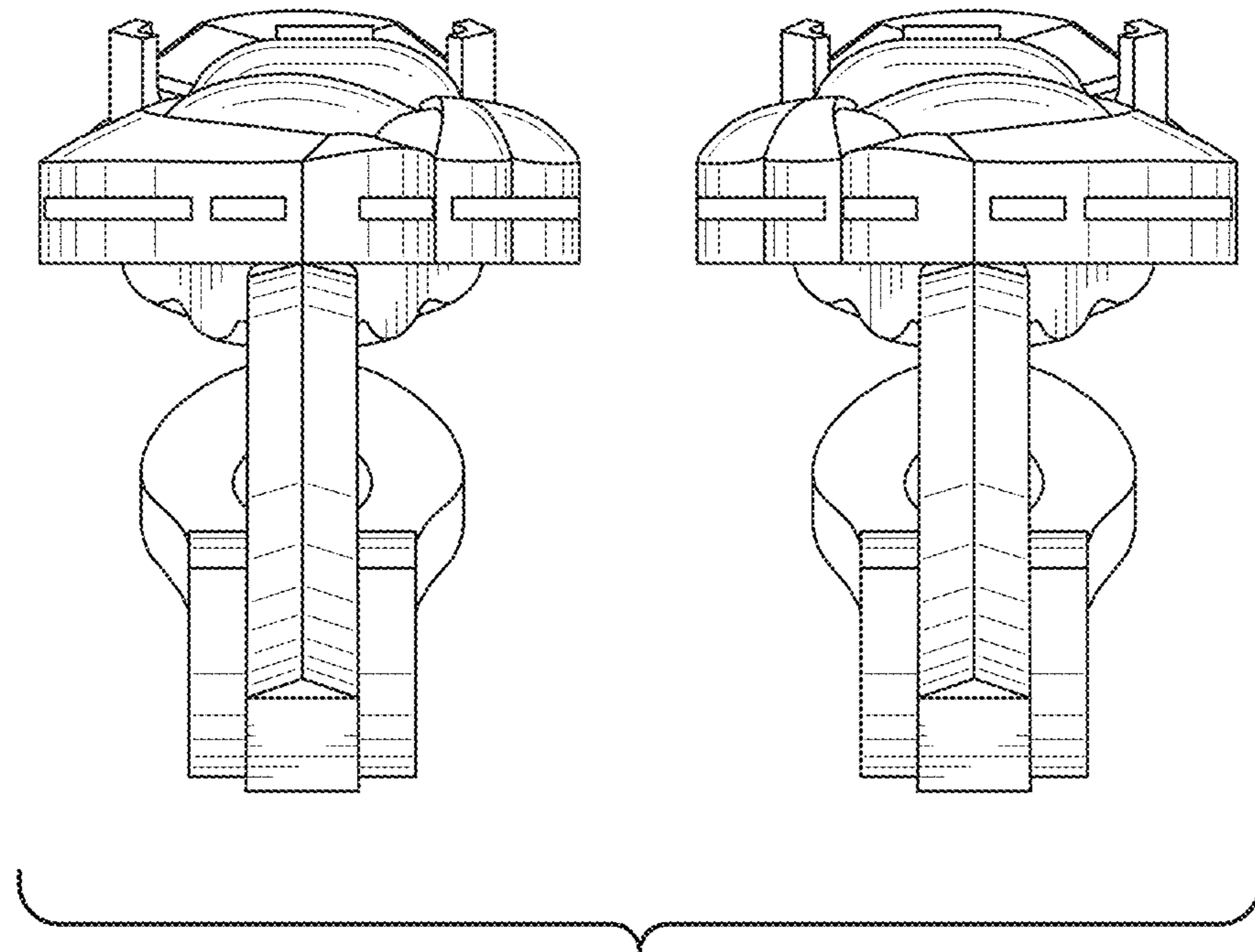


FIG. 7