



US00D833317S

(12) **United States Design Patent**  
**Jeanmonod**

(10) **Patent No.:** **US D833,317 S**

(45) **Date of Patent:** **\*\* Nov. 13, 2018**

(54) **DIAL WITH HANDS**

(71) Applicant: **RADO WATCH CO. LTD.**, Lengnau (CH)

(72) Inventor: **Grégoire Jeanmonod**, Lausanne (CH)

(73) Assignee: **Rado Watch Co., Ltd.**, Lengnau (CH)

(\*\*) Term: **15 Years**

(21) Appl. No.: **29/615,245**

(22) Filed: **Aug. 28, 2017**

(30) **Foreign Application Priority Data**

Feb. 28, 2017 (WO) ..... DM/095 213

(51) **LOC (11) Cl.** ..... **10-07**

(52) **U.S. Cl.**  
USPC ..... **D10/126**

(58) **Field of Classification Search**  
USPC ..... D10/1-39, 65, 70, 122-132; D14/344, D14/138 R  
CPC ... G04F 1/00; G04F 1/06; G04F 1/063; G04F 7/06; G04F 7/0861; G04F 7/0871; G04F 7/08; G04F 7/0804; G04F 7/0842; G04F 7/0876; G04F 19/00; G04F 19/02; G04F 19/04; G04F 19/06; G04F 19/08; G04F 19/26; G04F 19/24; G04F 39/00; G04F 39/002; G04F 39/004; G04F 39/006; A01G 25/165; B05B 12/02

See application file for complete search history.

(56) **References Cited**

**U.S. PATENT DOCUMENTS**

D526,923 S \* 8/2006 Okaya ..... D10/126  
D527,297 S \* 8/2006 Calvani ..... D10/126

D539,688 S \* 4/2007 Bolt ..... D10/126  
D552,490 S \* 10/2007 Laucella ..... D10/31  
D554,535 S \* 11/2007 Journe ..... D10/31  
D559,128 S \* 1/2008 Laucella ..... D10/39  
D620,826 S \* 8/2010 Duport ..... D10/126  
D620,827 S \* 8/2010 Cerrato ..... D10/126  
D768,017 S \* 10/2016 Calvani ..... D10/126  
D768,524 S \* 10/2016 Calvani ..... D10/126  
D768,525 S \* 10/2016 Calvani ..... D10/126  
D806,598 S \* 1/2018 Valzan ..... D10/126  
D808,840 S \* 1/2018 Valzan ..... D10/126  
D808,841 S \* 1/2018 Valzan ..... D10/126

**FOREIGN PATENT DOCUMENTS**

JP D1599065 \* 3/2018  
TR 095213-0004 \* 9/2017

\* cited by examiner

*Primary Examiner* — Eric L Goodman

*Assistant Examiner* — Aula Soroush

(74) *Attorney, Agent, or Firm* — Blank Rome LLP

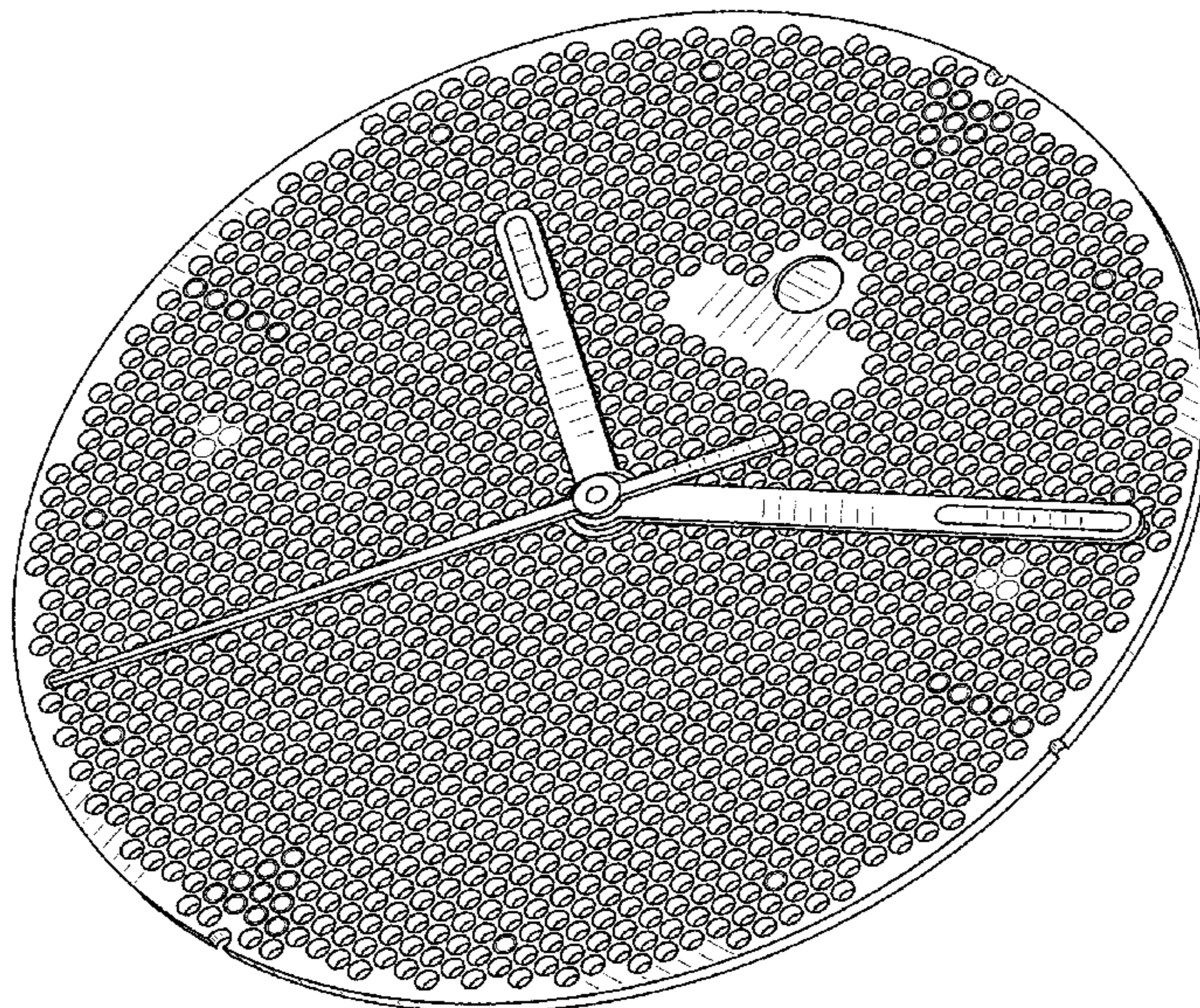
(57) **CLAIM**

The ornamental design for a dial with hands, as shown.

**DESCRIPTION**

FIG. 1 is a front right perspective view of a dial with hands showing my new design;  
FIG. 2 is a front view thereof;  
FIG. 3 is a rear view thereof;  
FIG. 4 is a left side view thereof;  
FIG. 5 is a right side view thereof;  
FIG. 6 is a top view thereof;  
FIG. 7 is a bottom view thereof; and,  
FIG. 8 is a rear left perspective view thereof.

**1 Claim, 5 Drawing Sheets**





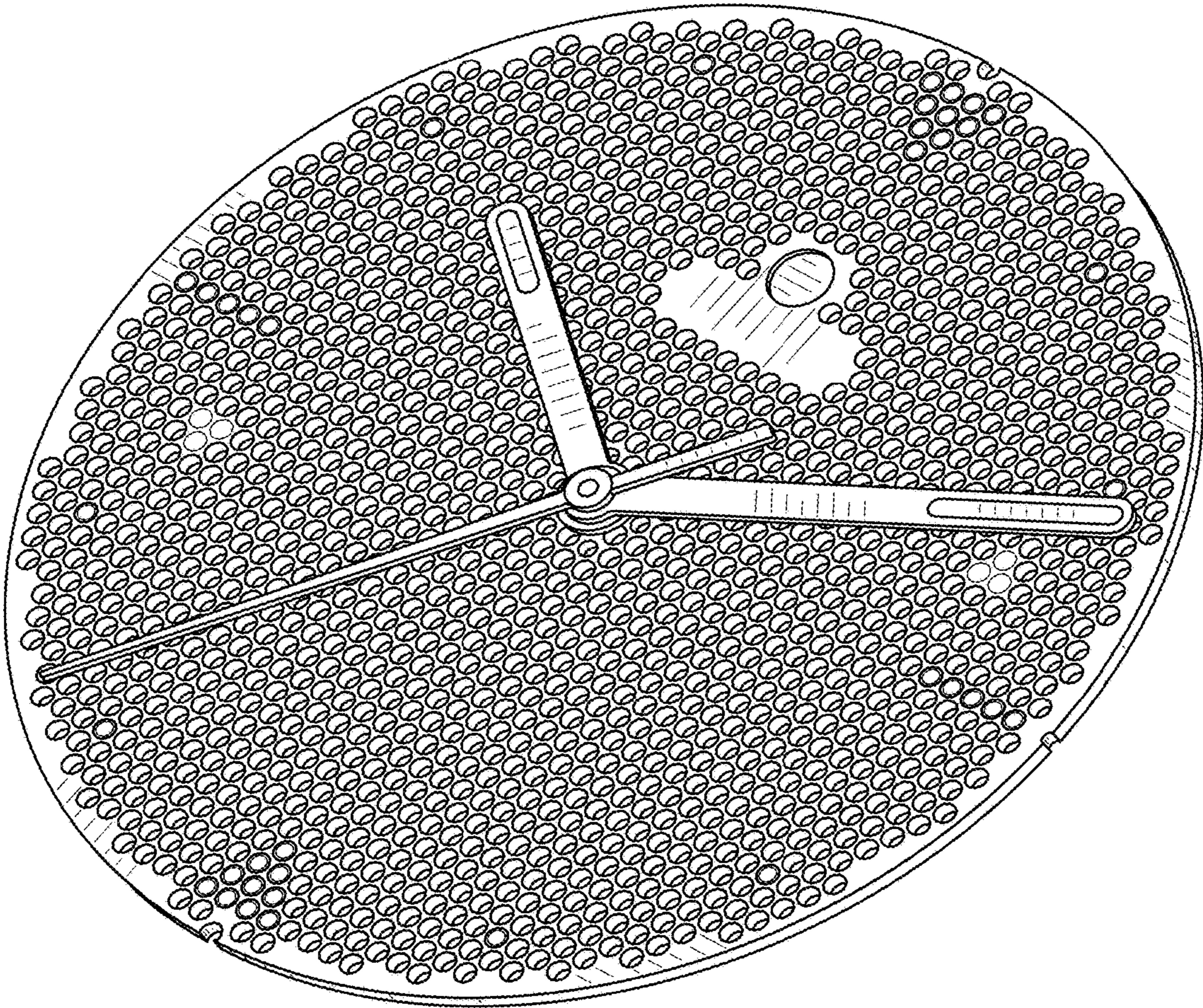


FIG. 1



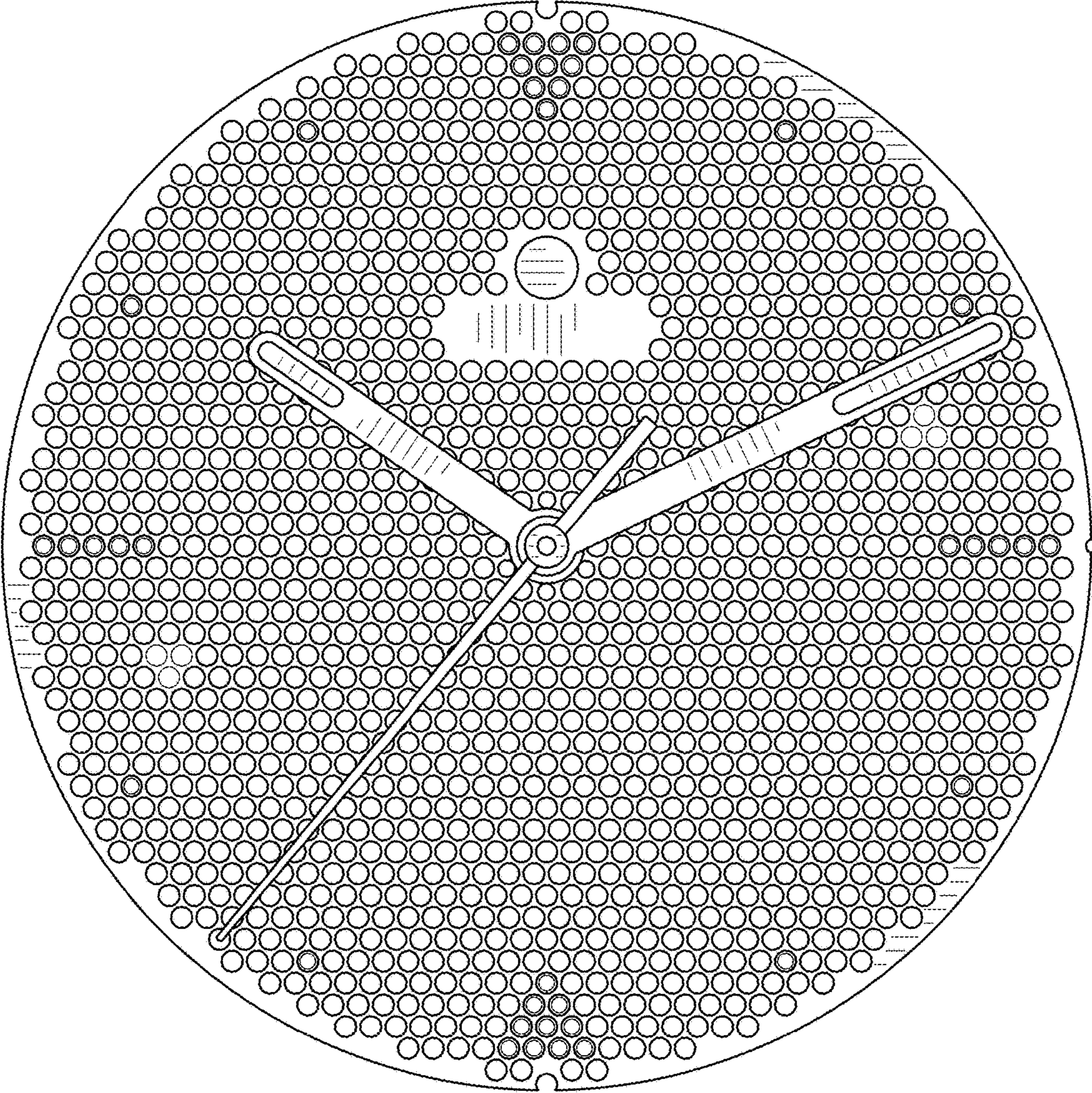


FIG. 2



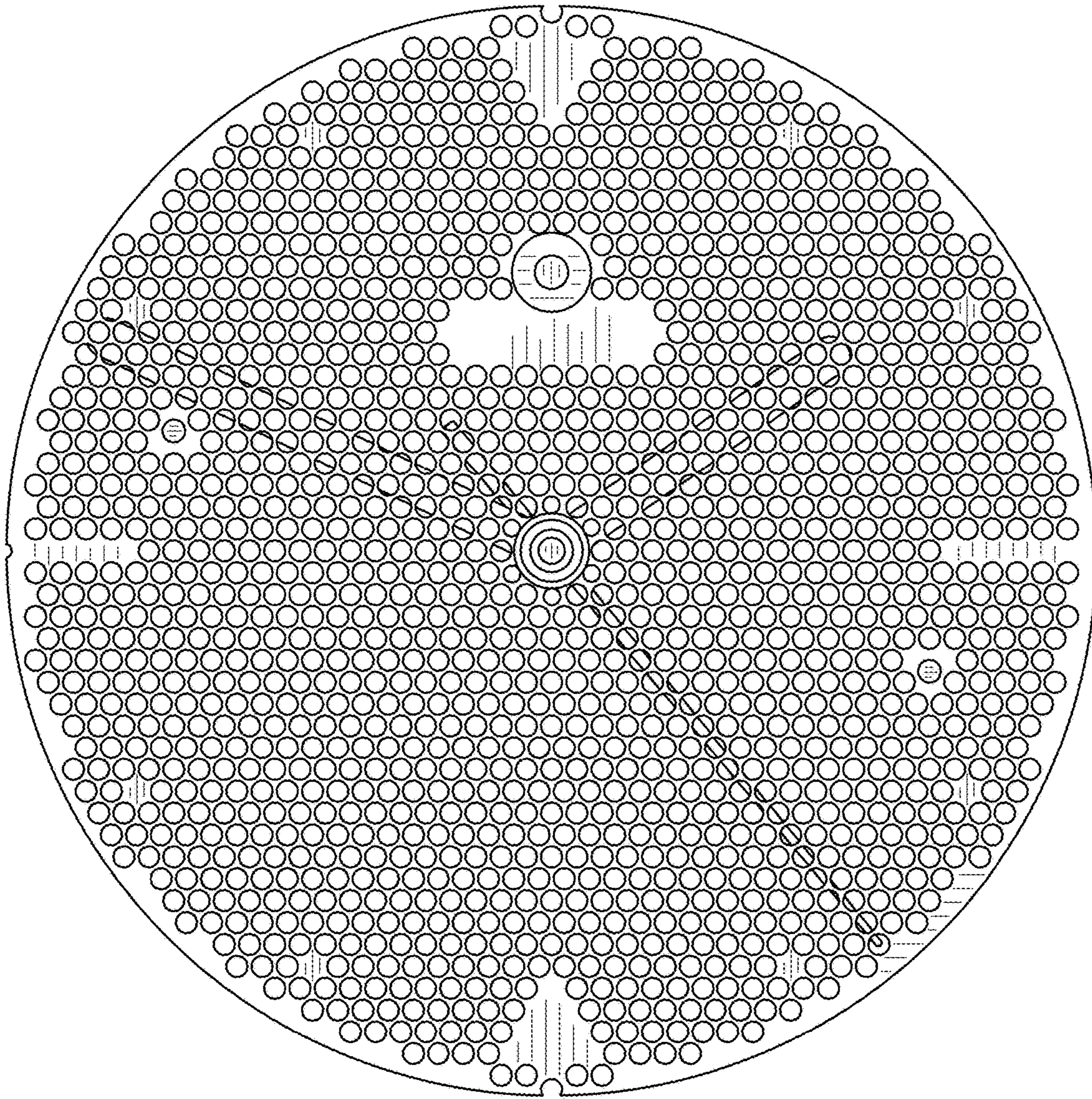


FIG. 3

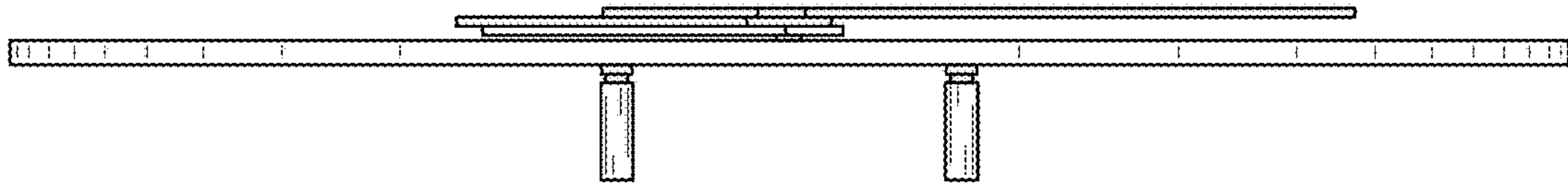


FIG. 4

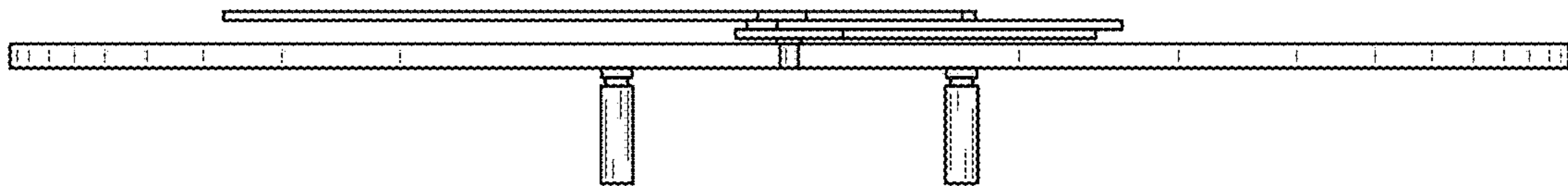


FIG. 5

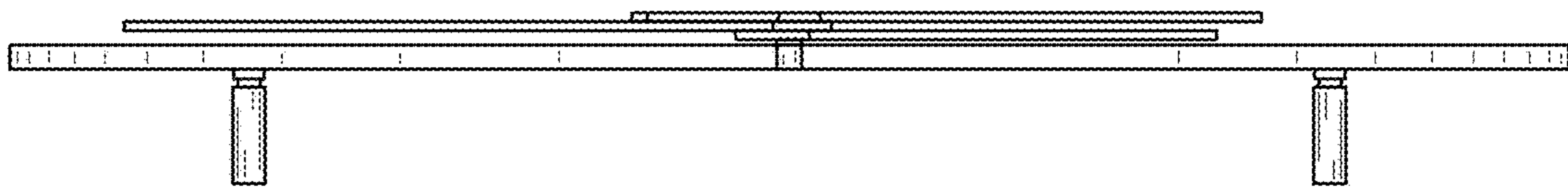


FIG. 6

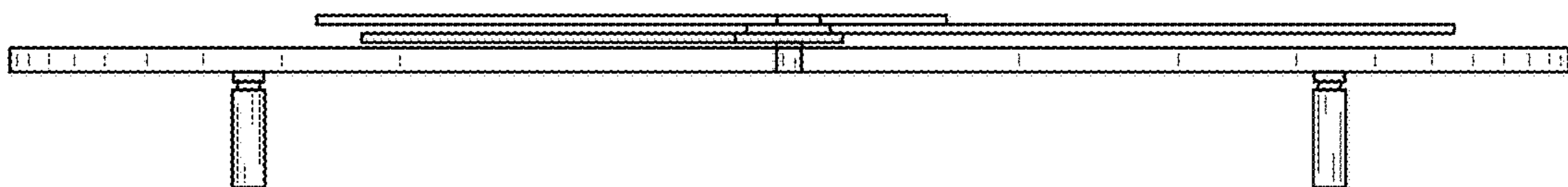


FIG. 7



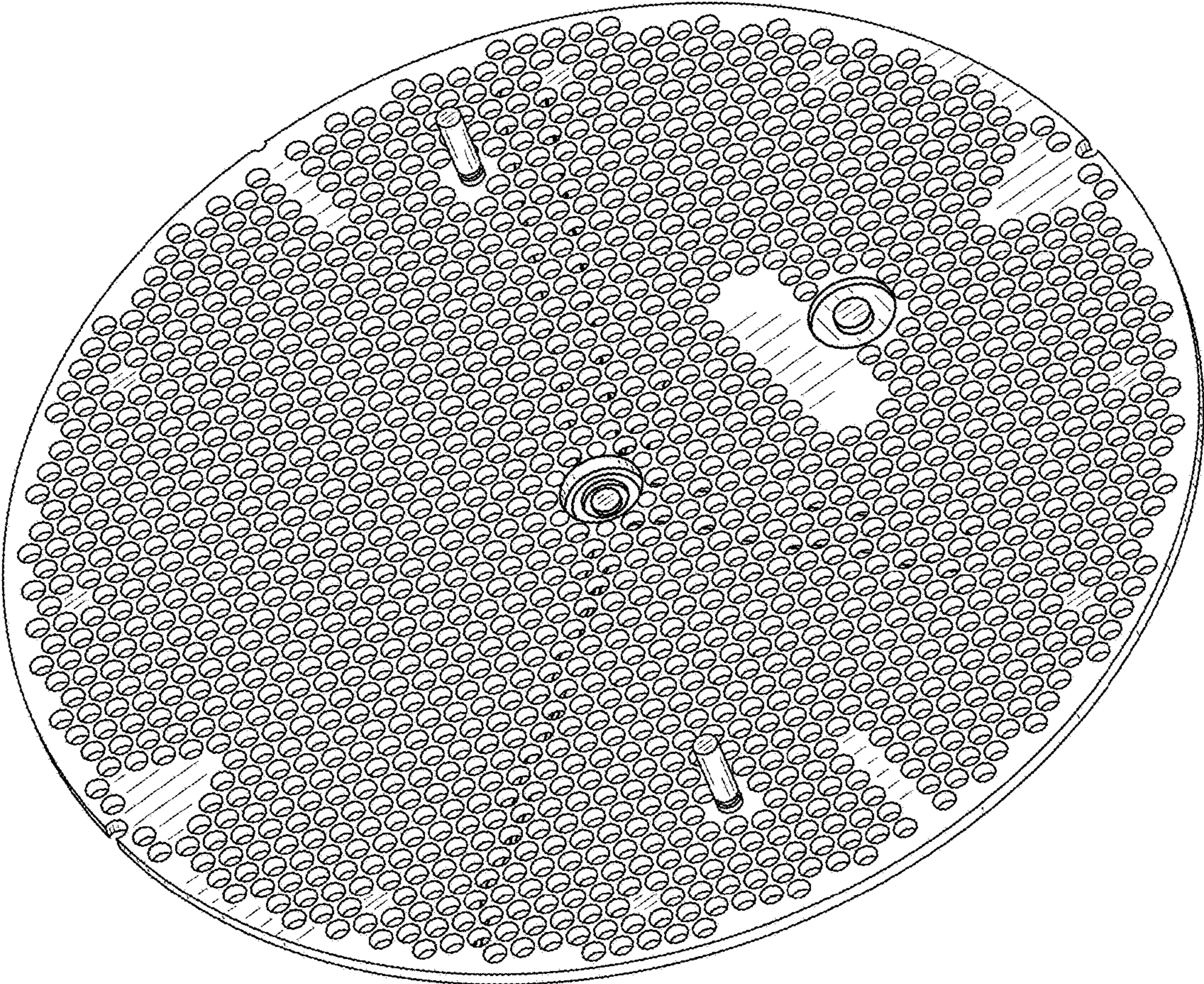


FIG. 8