



US00D833316S

(12) **United States Design Patent** (10) **Patent No.:** **US D833,316 S**
Zieta (45) **Date of Patent:** **** Nov. 13, 2018**

(54) **DIAL WITH HANDS**
(71) Applicant: **RADO WATCH CO. LTD.**, Lengnau (CH)
(72) Inventor: **Oskar Zieta**, Wroclaw (PL)
(73) Assignee: **Rado Watch Co. Ltd.**, Lengnau (CH)
(**) Term: **15 Years**

D631,373 S * 1/2011 Mikkelsen D10/32
D691,493 S * 10/2013 Duport D10/32
D691,494 S * 10/2013 Dupont D10/32
D697,822 S * 1/2014 Duport D10/32
D701,778 S * 4/2014 Duport D10/32
D739,269 S * 9/2015 Fazio D10/129
D739,286 S * 9/2015 Fazio D10/129
D739,287 S * 9/2015 Fazio D10/129
D739,288 S * 9/2015 Fazio D10/129
D748,517 S * 2/2016 Fazio D10/129
D755,178 S * 5/2016 Solomon D10/38

(Continued)

(21) Appl. No.: **29/615,216**
(22) Filed: **Aug. 28, 2017**

(30) **Foreign Application Priority Data**

Feb. 28, 2017 (WO) DM/095 213

(51) **LOC (11) Cl.** **10-07**
(52) **U.S. Cl.**
USPC **D10/126; D10/129**
(58) **Field of Classification Search**
USPC D10/1-3, 6, 14-16, 23, 30-39, 41, 65,
D10/70, 122-132; D11/95, 101, 107,
D11/109, 110, 224; D14/344
See application file for complete search history.

(56) **References Cited**

U.S. PATENT DOCUMENTS

D190,874 S * 7/1961 Kursh D10/22
D315,689 S * 3/1991 Pandel D10/39
D322,763 S * 12/1991 Saint-Dizier D10/39
D350,073 S * 8/1994 Burgener D10/30
D410,199 S * 5/1999 Calvani D10/30
D504,624 S * 5/2005 Bodino D10/39
D588,024 S * 3/2009 Binggeli D10/38
D588,472 S * 3/2009 Messmer D10/32
D622,164 S * 8/2010 Mikkelsen D10/32
D622,167 S * 8/2010 Jorst D10/39
D629,704 S * 12/2010 Furetta D10/32

OTHER PUBLICATIONS

Georg Jensen Vivianna Torun Watch Ref 226 | posted at chrono24.com n.d. circa 1970 [online][site visited May 22, 2018]. Available from internet: <<https://www.chrono24.com/all/georg-jensen-vivianna-torun-ref226-baujahr-1970--id5779939.htm>> (Year: 1970).*

(Continued)

Primary Examiner — Sandra S Snapp
Assistant Examiner — Katherine Glennon
(74) *Attorney, Agent, or Firm* — Blank Rome LLP

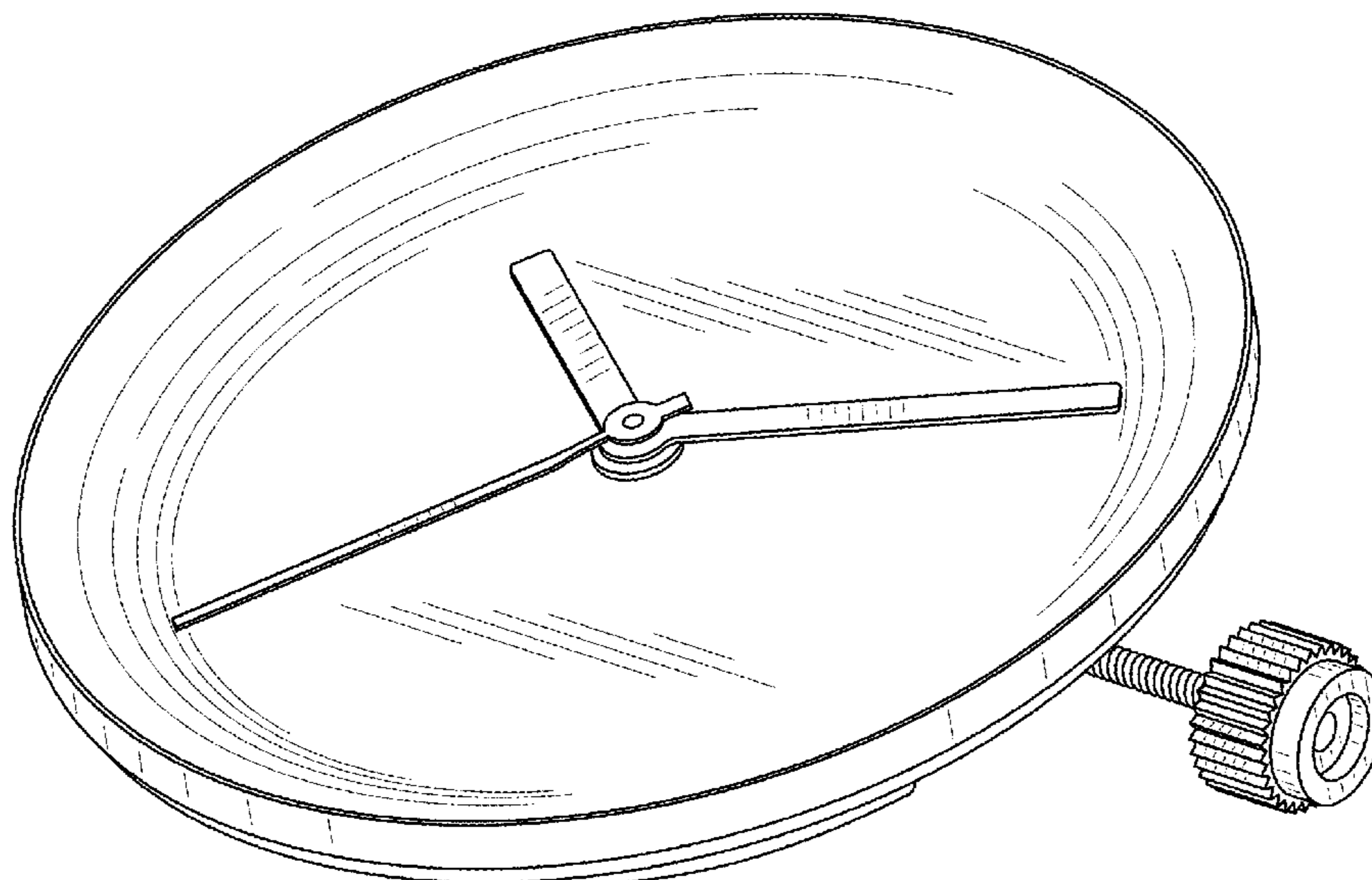
(57) **CLAIM**

The ornamental design for a dial with hands, as shown.

DESCRIPTION

FIG. 1 is a front right perspective view of a dial with hands showing my new design;
FIG. 2 is a front view thereof;
FIG. 3 is a rear view thereof;
FIG. 4 is a left side view thereof;
FIG. 5 is a right side view thereof;
FIG. 6 is a top view thereof;
FIG. 7 is a bottom view thereof; and,
FIG. 8 is a rear right perspective view thereof.

1 Claim, 5 Drawing Sheets



(56)

References Cited

U.S. PATENT DOCUMENTS

D760,603 S * 7/2016 Soares D10/32
D790,992 S * 7/2017 Nicotra D10/39
D794,632 S * 8/2017 Solomon D10/38

OTHER PUBLICATIONS

Arne Jacobsen City Hall Watch | posted at fjorn.com n.d.; designed 1956
© 2005-2018 fjorn.com [online][site visited May 23, 2018]. Available
from internet: <<https://www.fjorn.com/rosendahl-arne-jacobsen-watch-white-city-hall-dial-and-white-calf-skin-band-1-3-inches-dia.html>> (Year: 1956).*

Sablier Grand Cru Concave Watch | posted at ablogtowatch.com
Mar. 2014 © 2007-2018 aBlogtoWatch [online][site visited May 23,
2018]. Available from Internet: <<https://www.ablogtowatch.com/sablier-grand-cru-watch-review/>> (Year: 2014).*

* cited by examiner

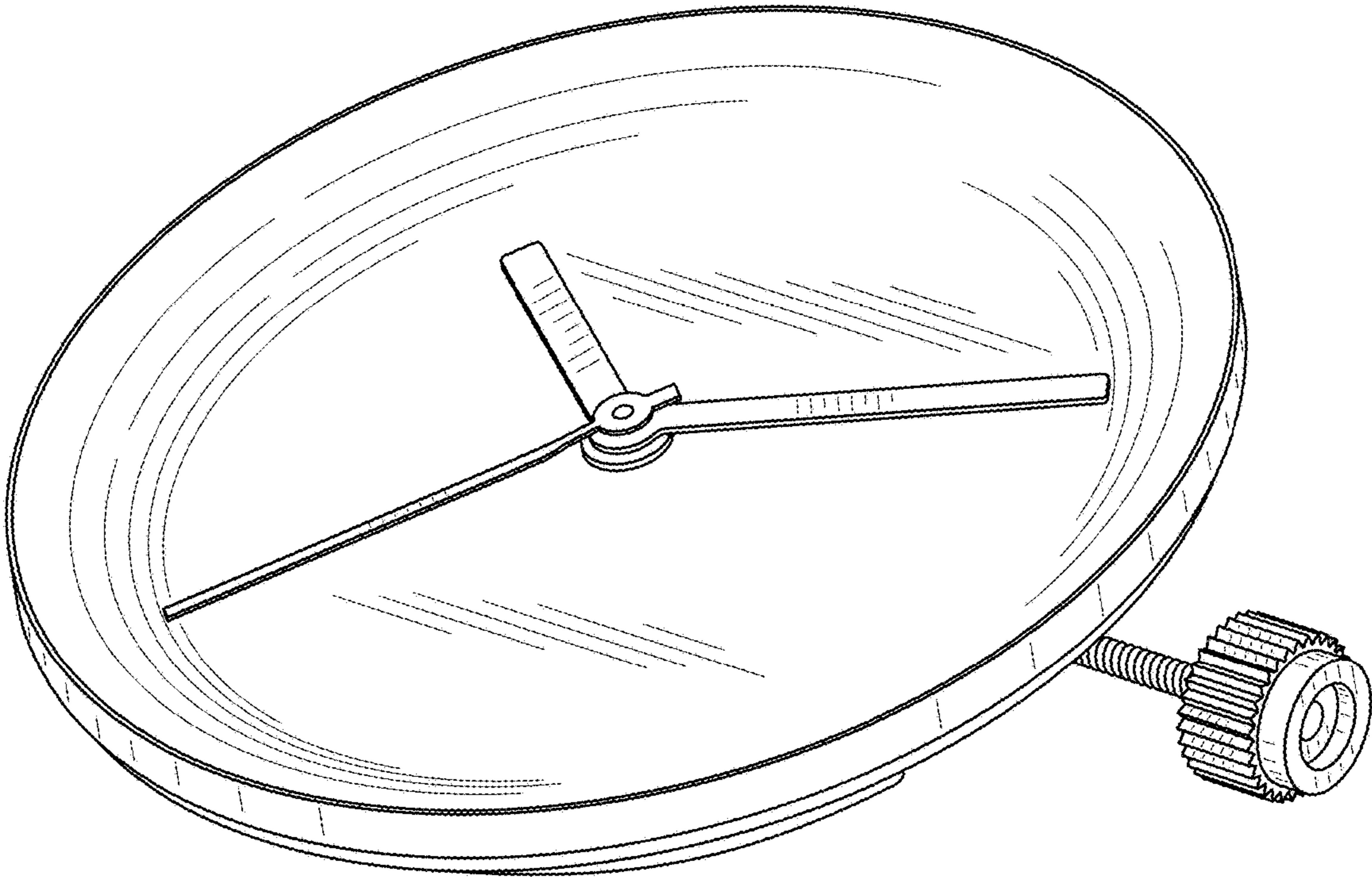


FIG. 1

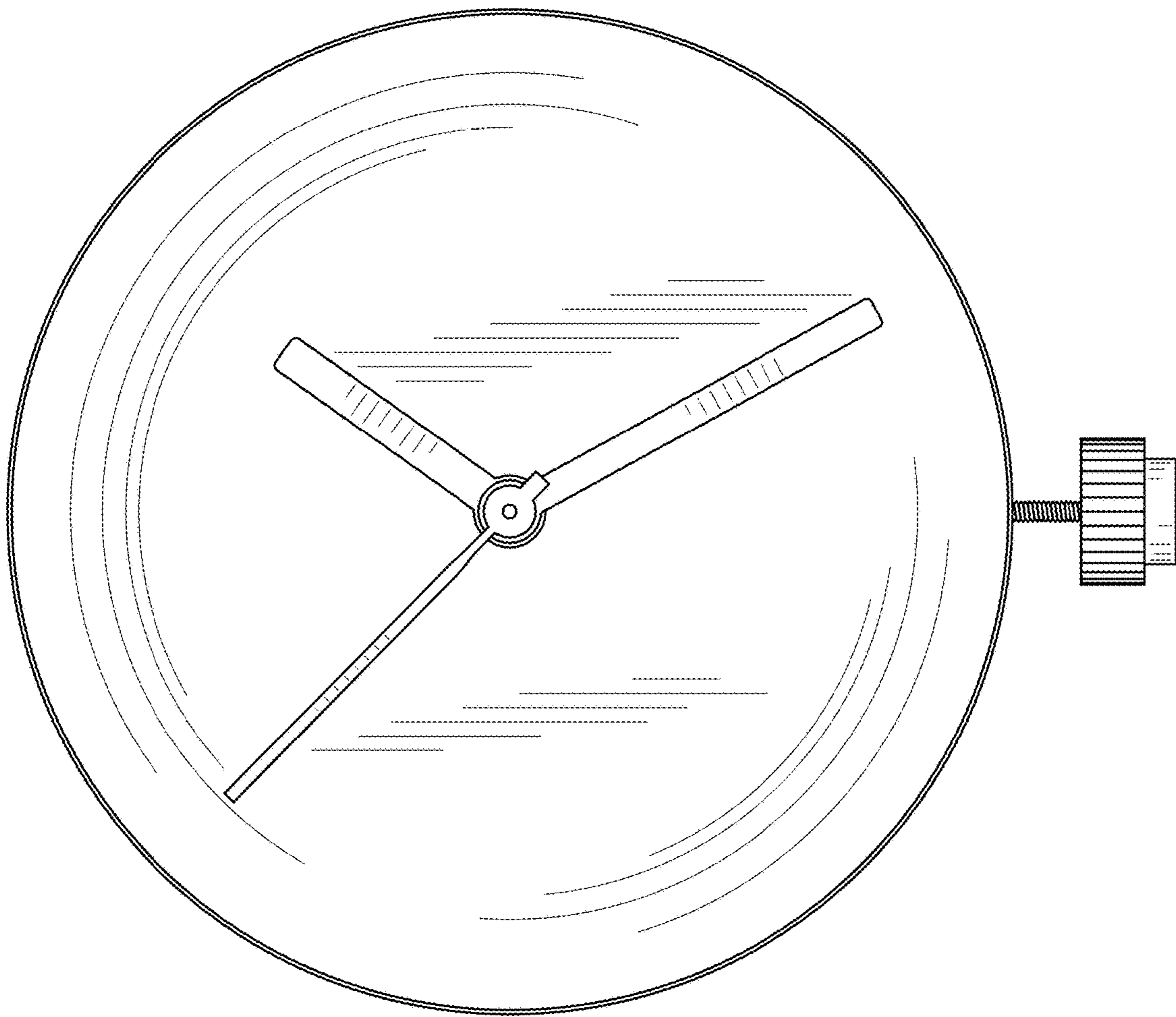


FIG. 2

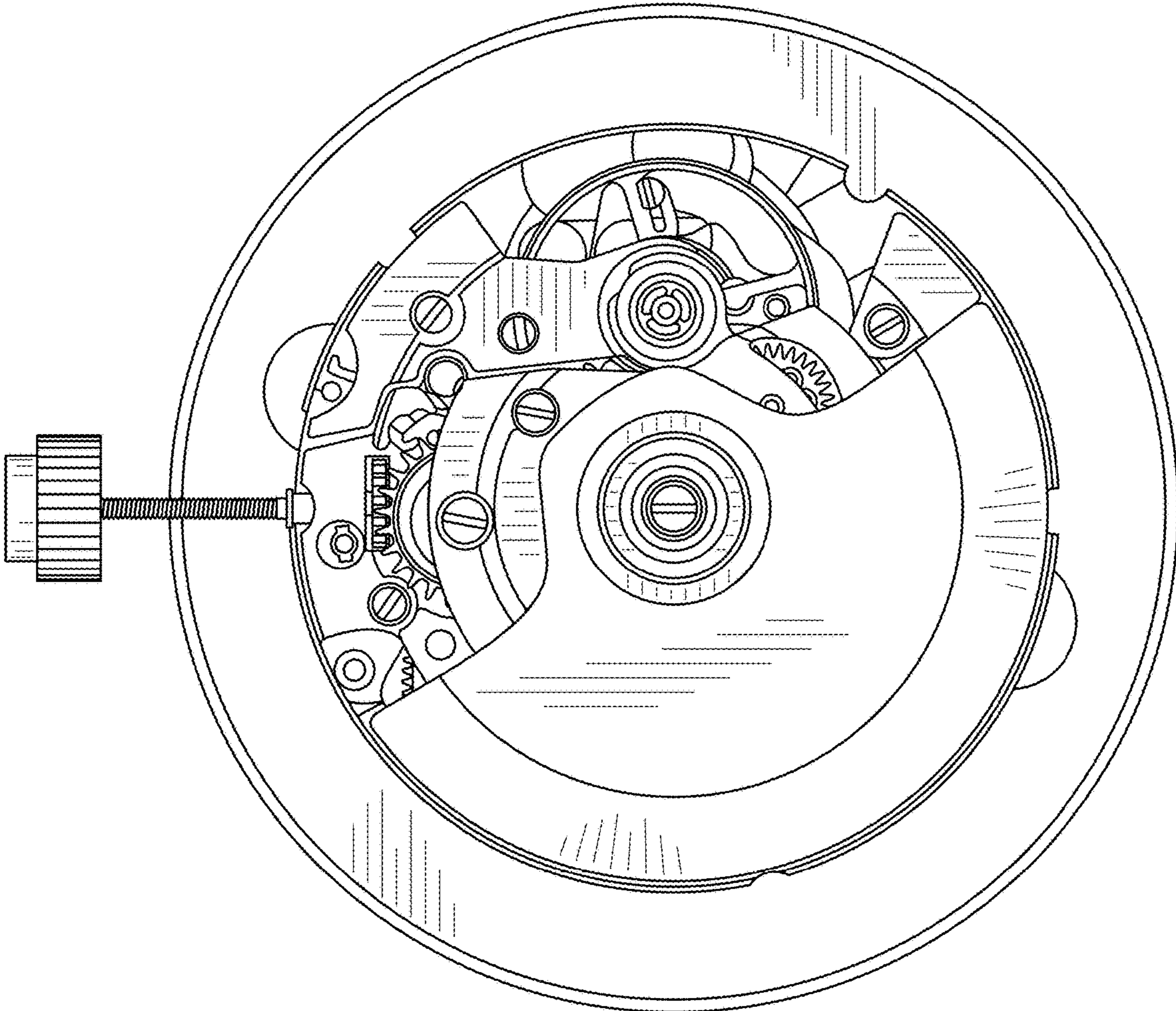


FIG. 3

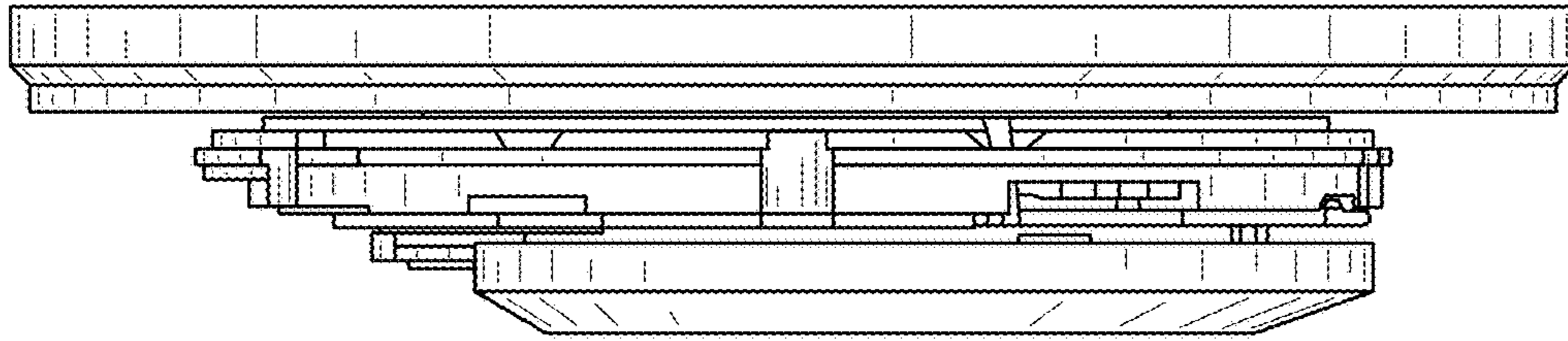


FIG. 4

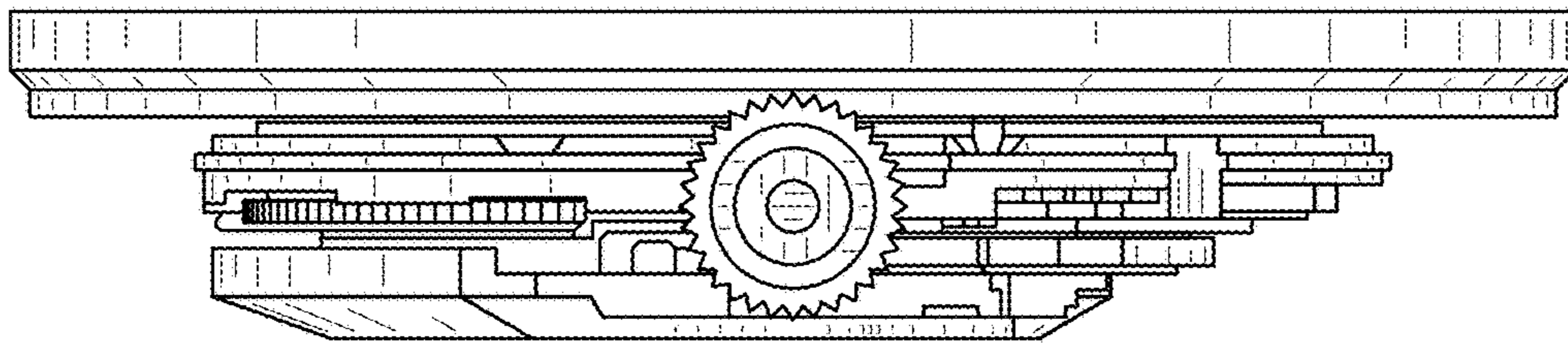


FIG. 5

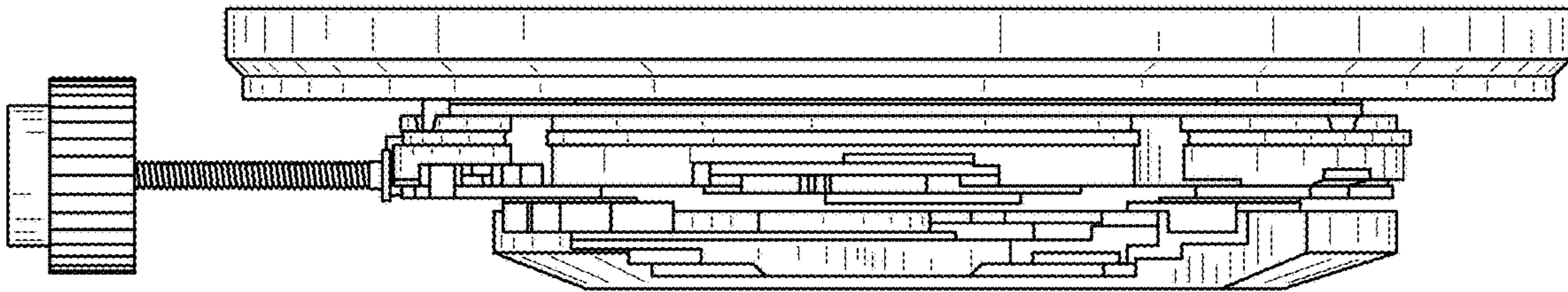


FIG. 6

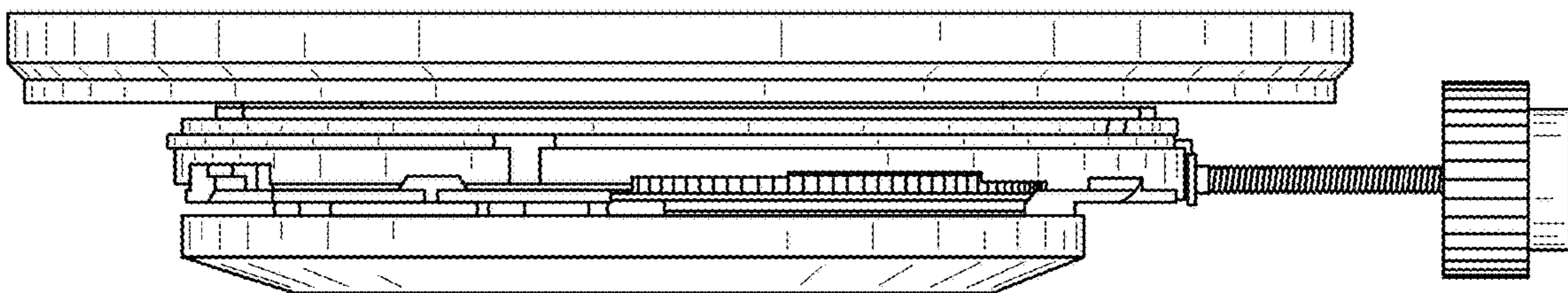


FIG. 7

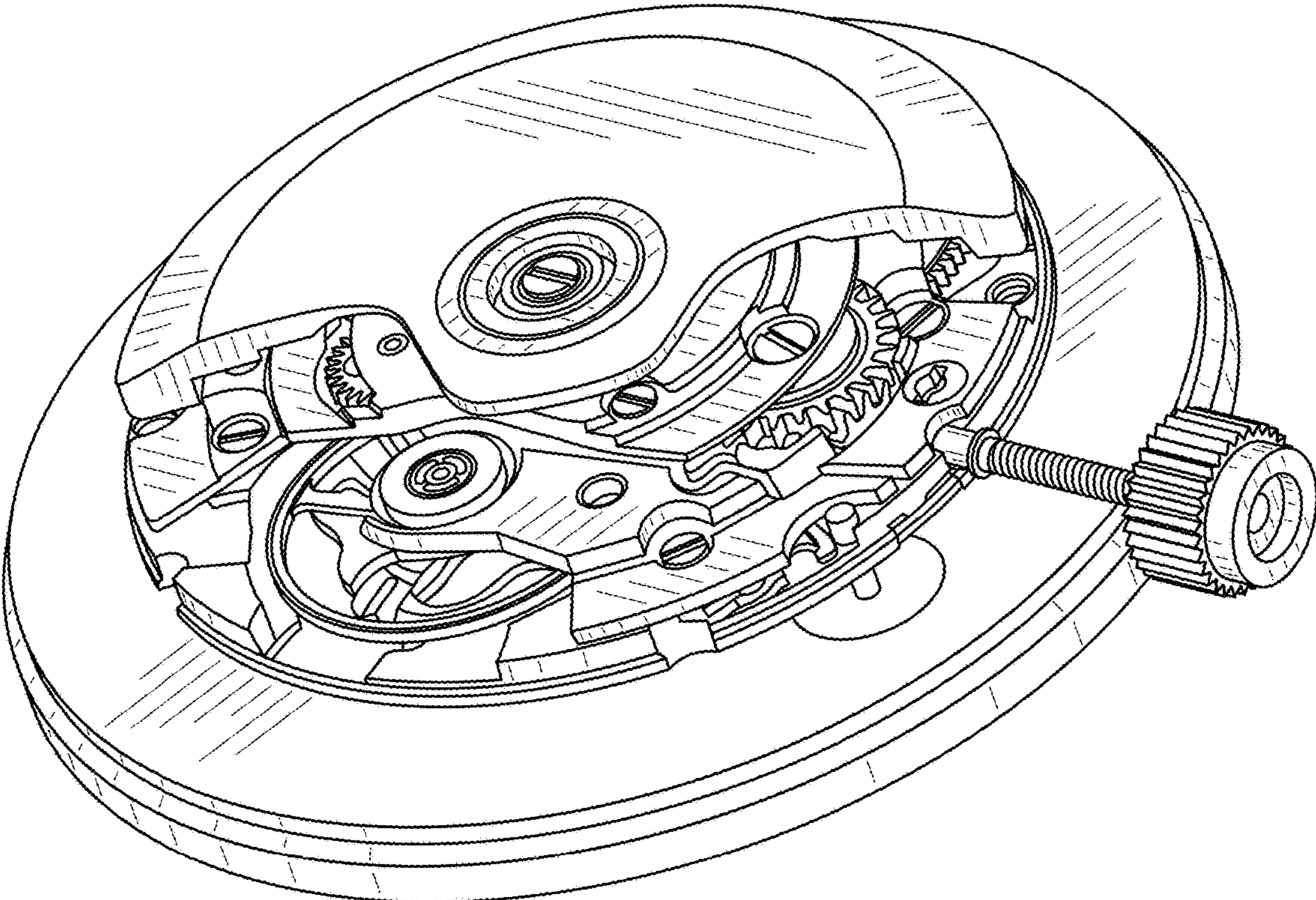


FIG. 8