



US00D833315S

(12) **United States Design Patent** (10) **Patent No.:** **US D833,315 S**
Mutsch (45) **Date of Patent:** **** Nov. 13, 2018**

(54) **DIAL WITH HANDS**
(71) Applicant: **RADO WATCH CO. LTD.**, Lengnau (CH)
(72) Inventor: **Rainer Mutsch**, Vienna (AT)
(73) Assignee: **Rado Watch Co. Ltd.**, Lengnau (CH)
(**) Term: **15 Years**

D649,069 S * 11/2011 Galli D10/30
D668,556 S * 10/2012 Scott D10/32
D739,286 S * 9/2015 Fazio D10/129
D739,287 S * 9/2015 Fazio D10/129
D739,288 S * 9/2015 Fazio D10/129
D748,517 S * 2/2016 Fazio D10/129
D794,631 S * 8/2017 Solomon D10/38
2008/0066335 A1 * 3/2008 Mueller G01B 3/004
33/810

(21) Appl. No.: **29/615,212**
(22) Filed: **Aug. 28, 2017**

(30) **Foreign Application Priority Data**

Feb. 28, 2017 (WO) DM/095 213

(51) **LOC (11) Cl.** **10-07**
(52) **U.S. Cl.**
USPC **D10/126; D10/129**
(58) **Field of Classification Search**
USPC D10/1-3, 6, 14-16, 23, 30-39, 41, 65,
D10/70, 122-132; D11/95, 101, 107,
D11/109, 110, 224; D14/344
See application file for complete search history.

(56) **References Cited**

U.S. PATENT DOCUMENTS

D190,874 S * 7/1961 Kursh D10/22
D338,161 S * 8/1993 Kizaki D10/126
D350,073 S * 8/1994 Burgener D10/30
D373,087 S * 8/1996 Goulet Maubouissin D10/30
D379,597 S * 6/1997 Alvarez Gago D10/39
D423,949 S * 5/2000 Stoll D10/32
D588,472 S * 3/2009 Messmer D10/32

OTHER PUBLICATIONS

Ranier Mutsch Rado True Stratum | posted at hodinkee.com Oct. 2017 Copyright © 2009-2018 [online][site visited May 22, 2018]. Available from Internet: <<https://www.hodinkee.com/articles/rainer-mutsch-on-designing-the-rado-true-stratum>> (Year: 2017).*

* cited by examiner

Primary Examiner — Sandra S Snapp
Assistant Examiner — Katherine Glennon
(74) *Attorney, Agent, or Firm* — Blank Rome LLP

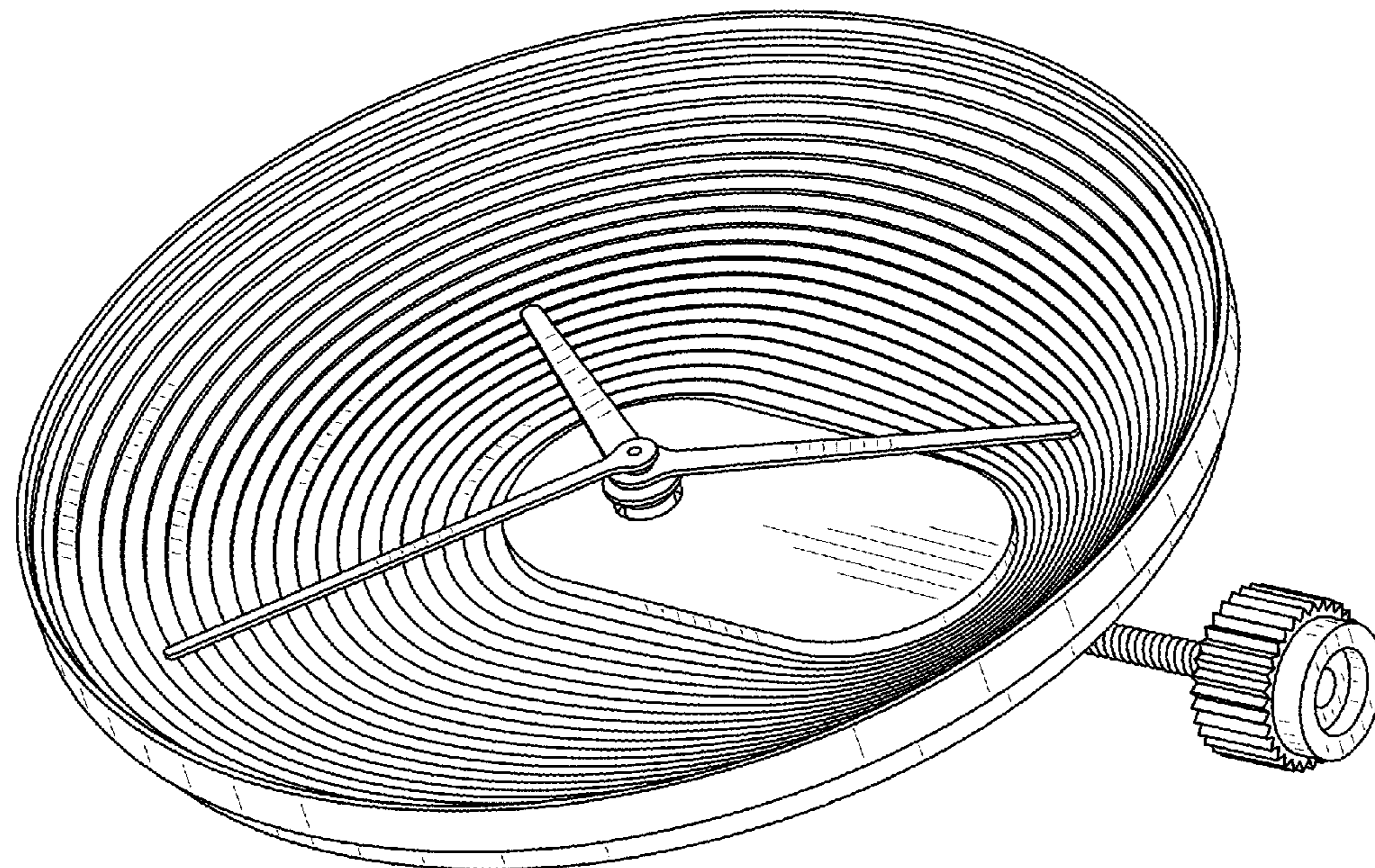
(57) **CLAIM**

The ornamental design for a dial with hands, as shown.

DESCRIPTION

FIG. 1 is a front right perspective view of a dial with hands showing my new design;
FIG. 2 is a front view thereof;
FIG. 3 is a rear view thereof;
FIG. 4 is a left side view thereof;
FIG. 5 is a right side view thereof;
FIG. 6 is a top view thereof;
FIG. 7 is a bottom view thereof; and,
FIG. 8 is a rear right perspective view thereof.

1 Claim, 5 Drawing Sheets



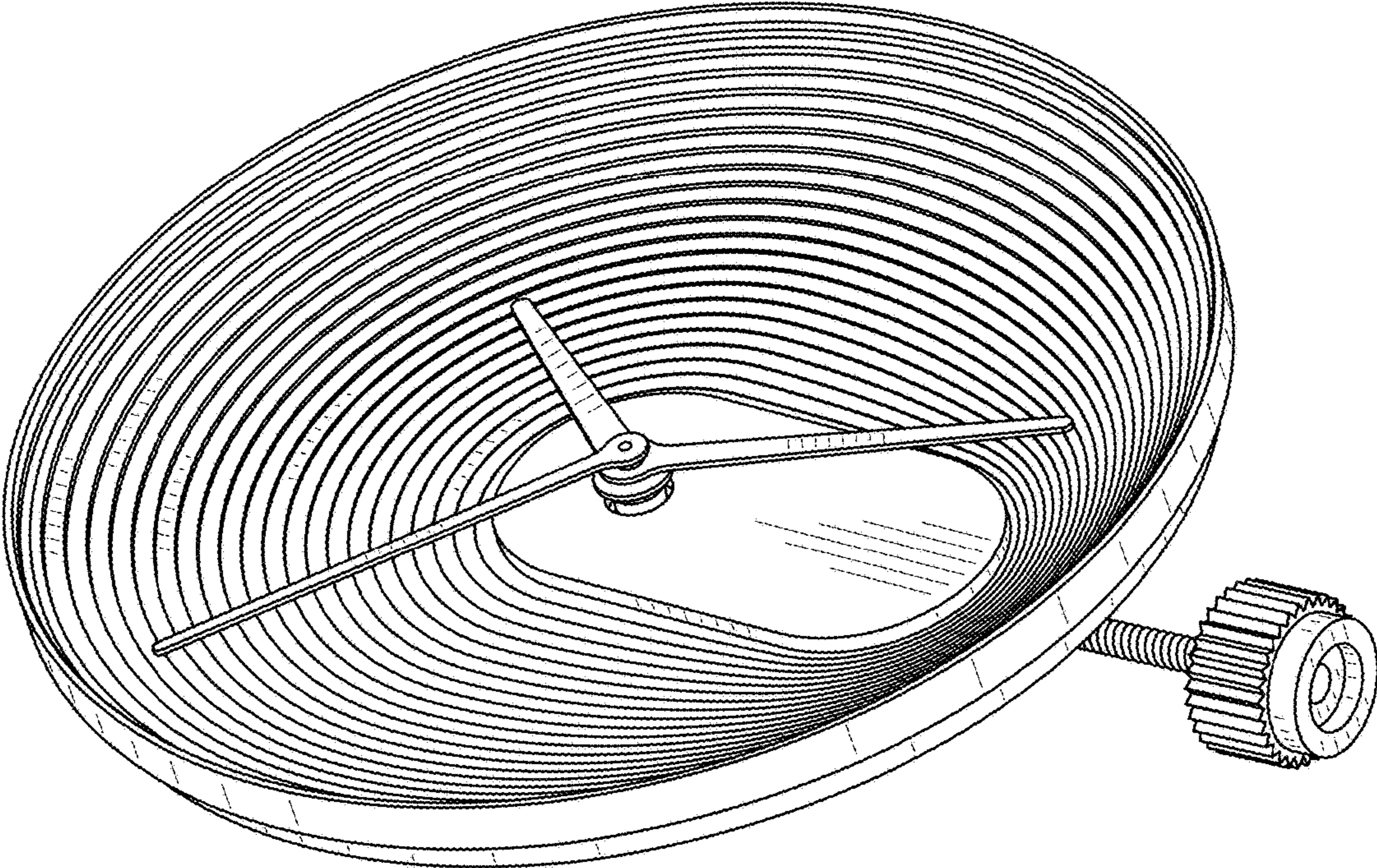


FIG. 1

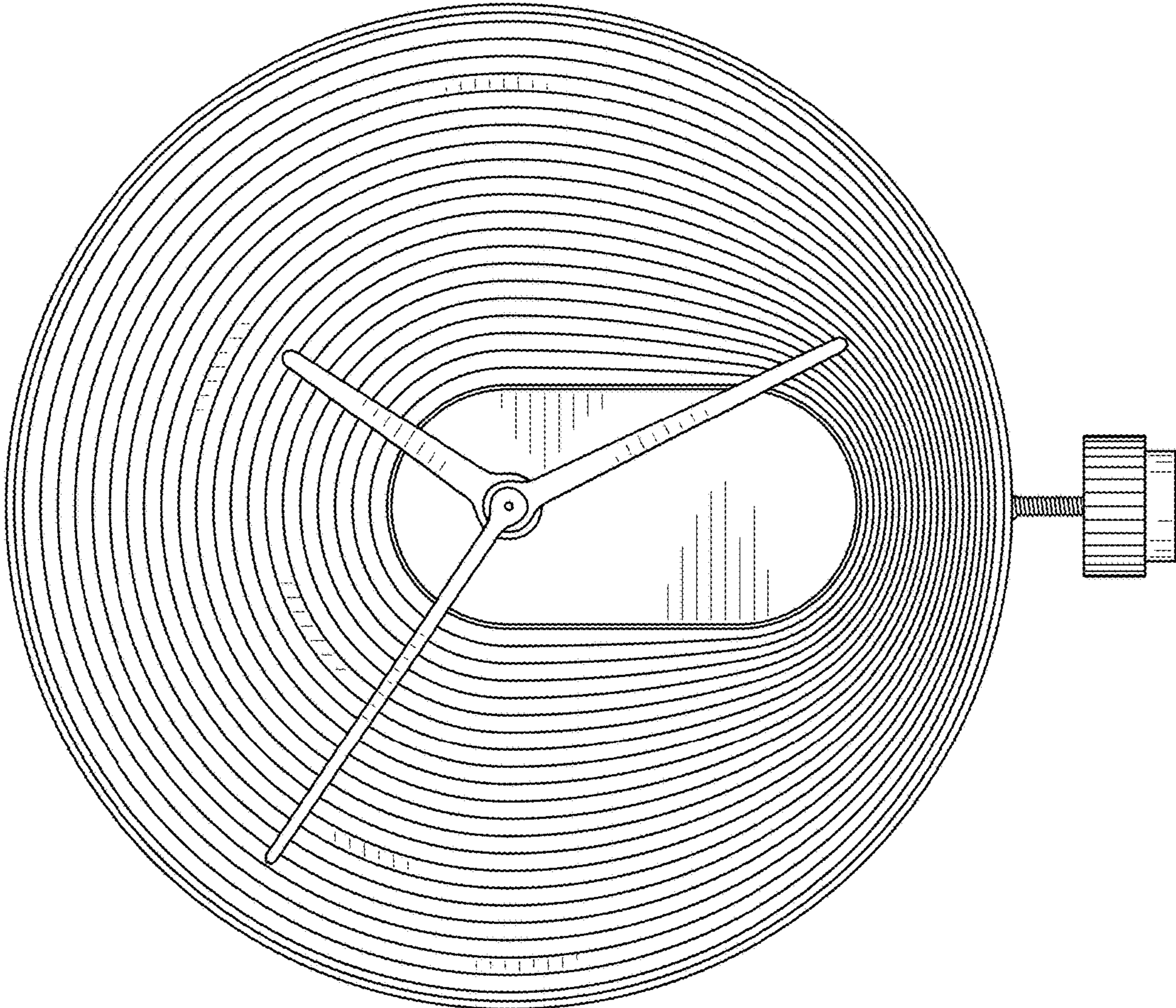


FIG. 2

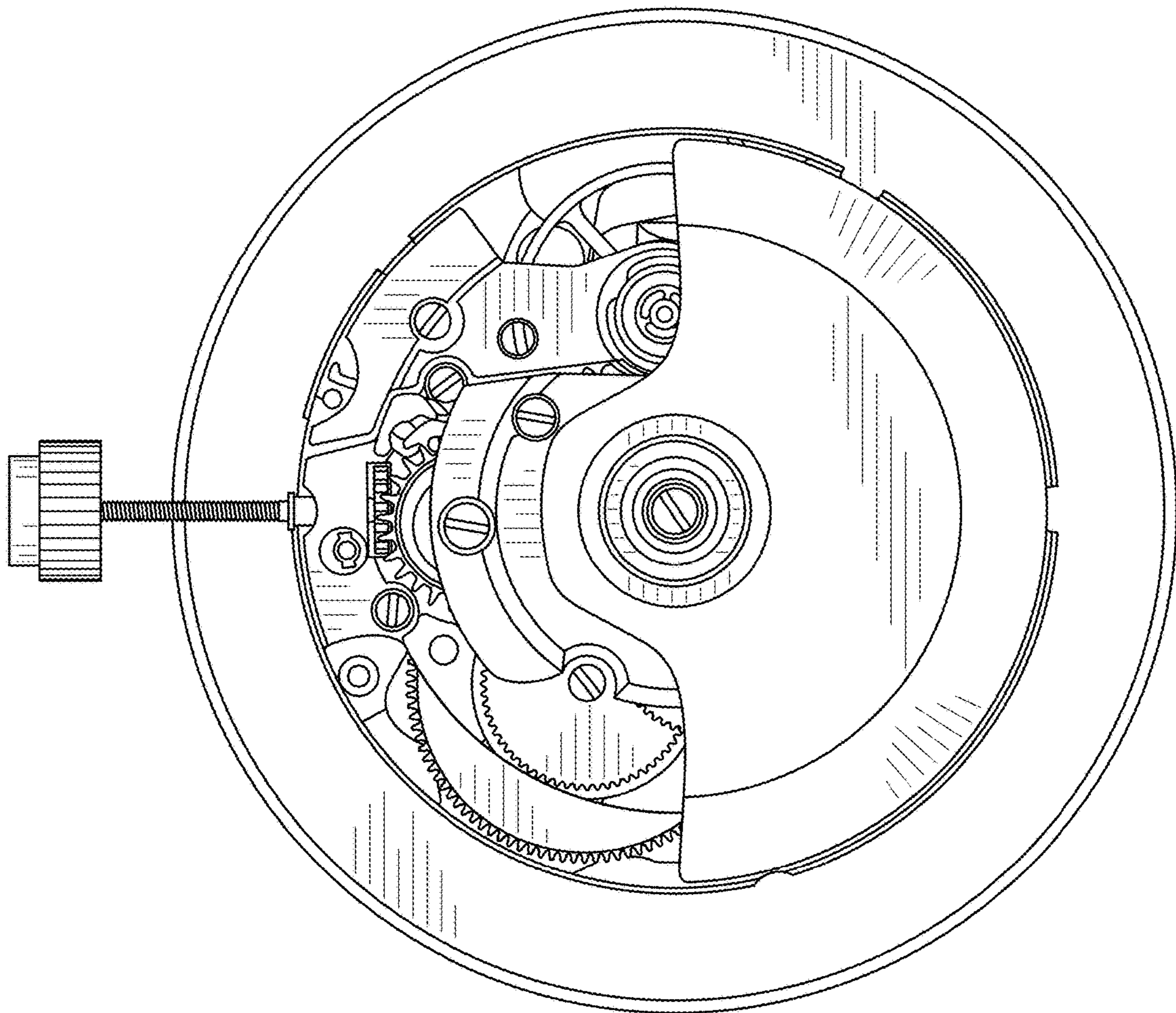


FIG. 3

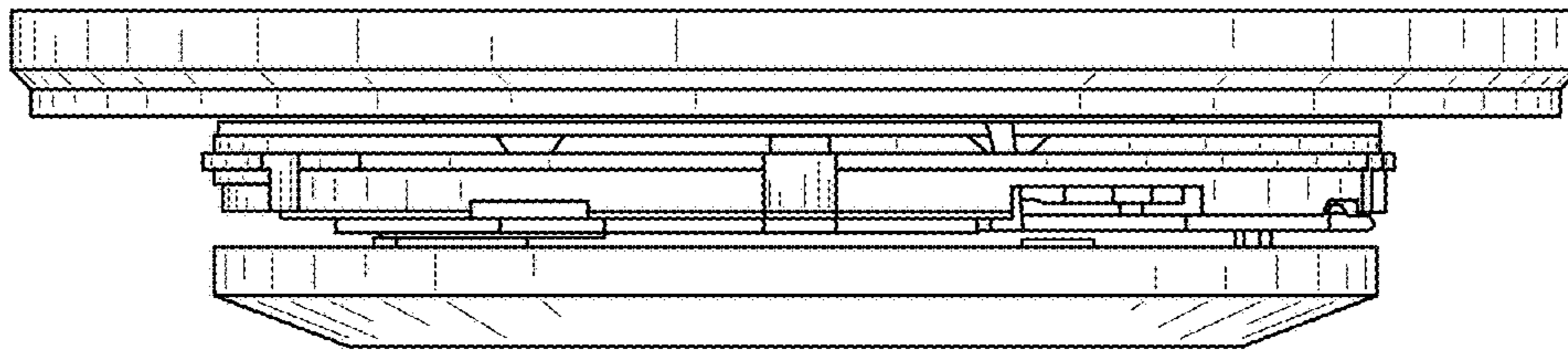


FIG. 4

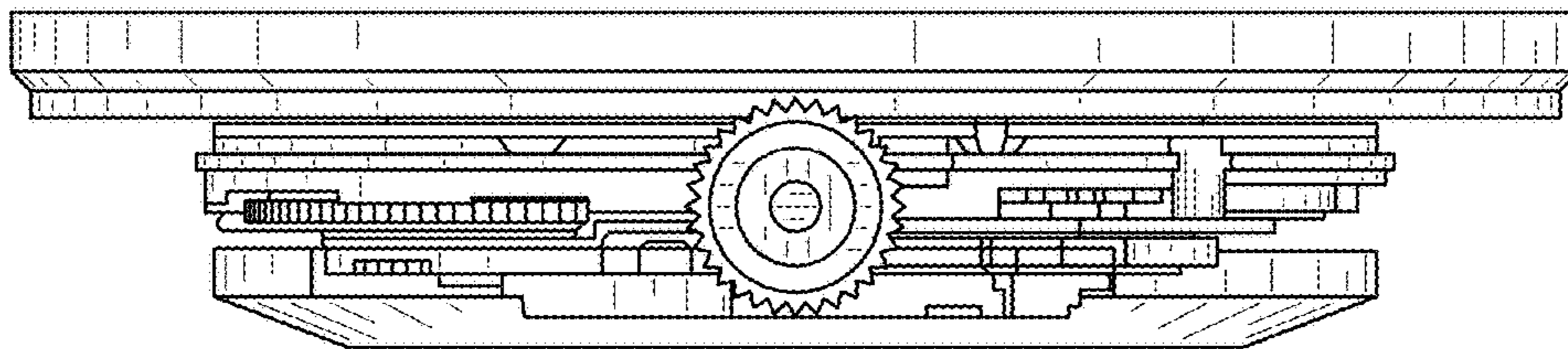


FIG. 5

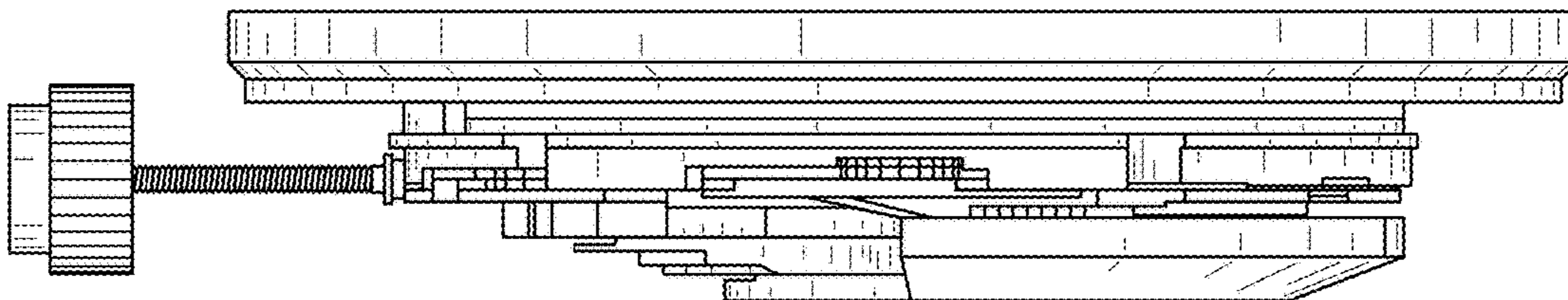


FIG. 6

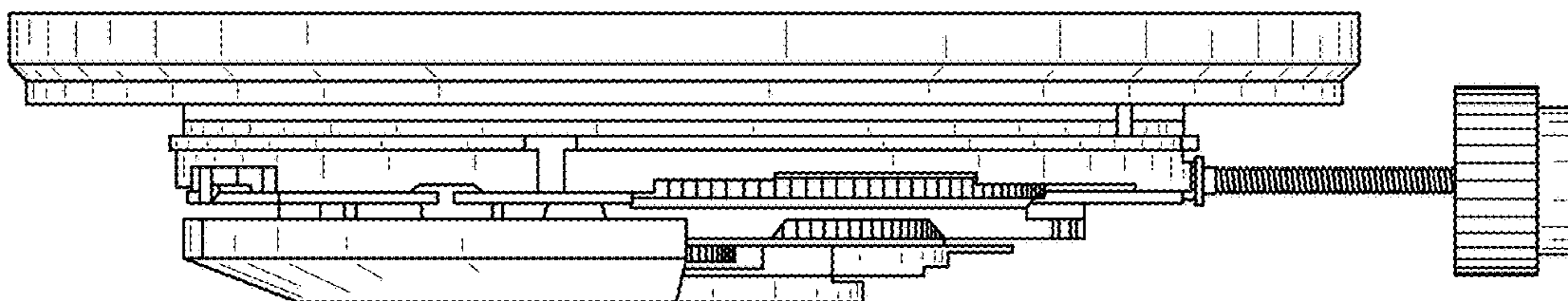


FIG. 7

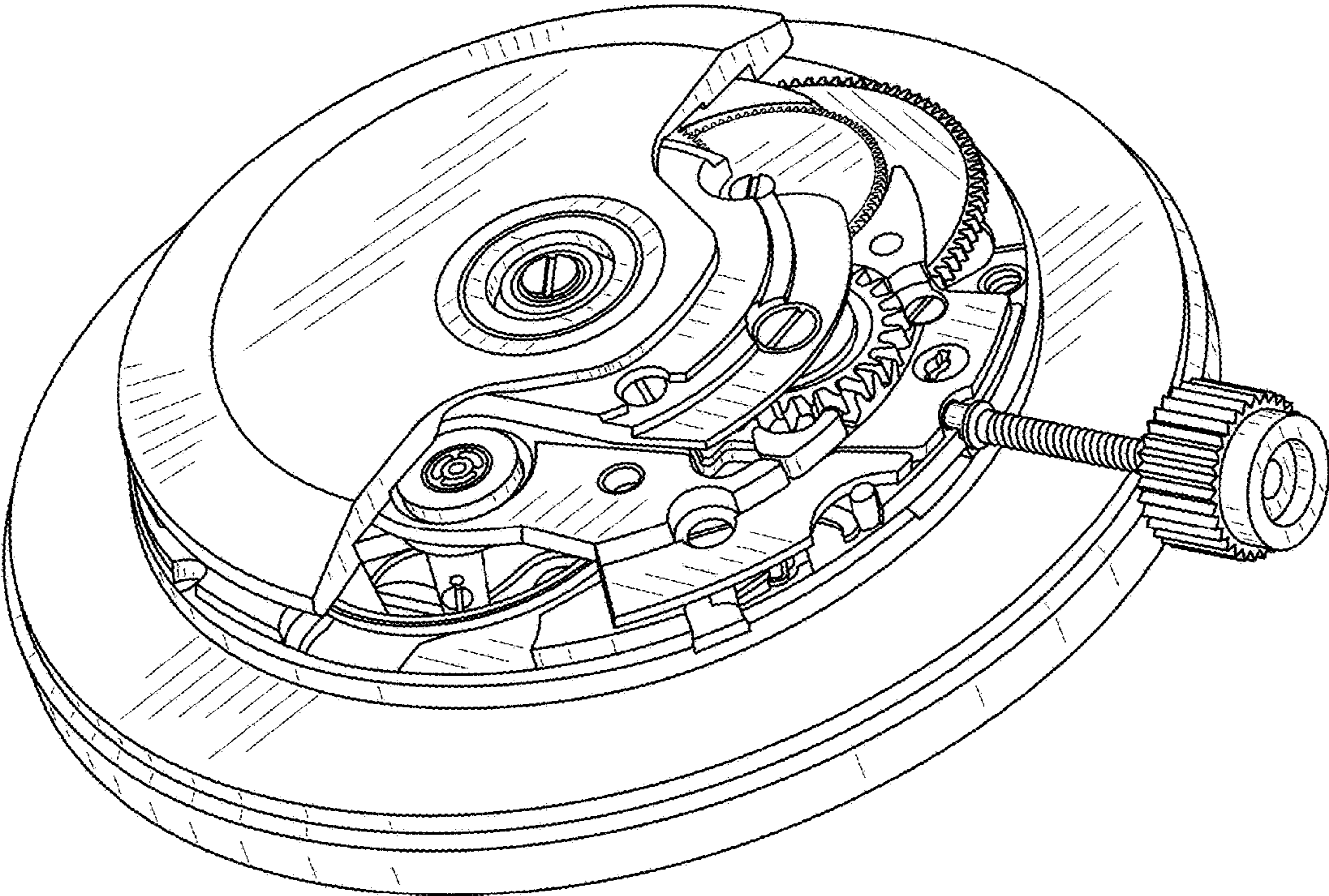


FIG. 8